



US00D826781S

(12) **United States Design Patent** (10) **Patent No.:** **US D826,781 S**
Scheinhütte (45) **Date of Patent:** **** Aug. 28, 2018**

(54) **MOTOR VEHICLE, TOY AND/OR REPLICA**

(71) Applicant: **Dr. Ing. h.c. F. Porsche**
Aktiengesellschaft, Stuttgart (DE)

(72) Inventor: **Ingo Scheinhütte, Eberdingen (DE)**

(73) Assignee: **Dr. Ing. h.c. F. Porsche**
Aktiengesellschaft, Stuttgart (DE)

(**) Term: **15 Years**

(21) Appl. No.: **29/576,780**

(22) Filed: **Sep. 7, 2016**

(30) **Foreign Application Priority Data**

Mar. 7, 2016 (DE) 40 2016 100 257

(51) **LOC (11) Cl.** **12-08**

(52) **U.S. Cl.**
USPC **D12/91**

(58) **Field of Classification Search**
USPC D12/86, 90-92; D21/421, 433, 434;
296/181.1, 181.5

CPC B62D 35/00; B62D 25/00; B62D 25/06;
B62D 33/00

See application file for complete search history.

(56) **References Cited**

U.S. PATENT DOCUMENTS

D468,237 S 1/2003 Murkett
D537,383 S * 2/2007 Kato D12/91
D588,047 S 3/2009 Kulla
D600,594 S 9/2009 Kulla
D622,184 S 8/2010 Borkert

D622,632 S 8/2010 Borkert
D649,911 S * 12/2011 Okumoto D12/92
D686,531 S * 7/2013 Lamm D12/91
D690,620 S * 10/2013 Scheinhutte D12/92
D696,159 S 12/2013 Borkert
D697,453 S 1/2014 Borkert
D702,152 S 4/2014 Borkert
D712,790 S 9/2014 Scheinhütte
D712,791 S 9/2014 Scheinhütte
D715,196 S 10/2014 Yamashita
D756,849 S * 5/2016 Garcia Lopez D12/92
D789,251 S * 6/2017 Varga D12/91
D789,832 S * 6/2017 Varga D12/91
D790,401 S * 6/2017 Scheinhutte D12/91
D796,997 S * 9/2017 Varga D12/91

* cited by examiner

Primary Examiner — Melody N Brown

(74) *Attorney, Agent, or Firm* — RatnerPrestia

(57) **CLAIM**

The ornamental design for a motor vehicle, toy and/or replica, as shown and described.

DESCRIPTION

FIG. 1 is a front elevation view of a motor vehicle, toy and/or replica;

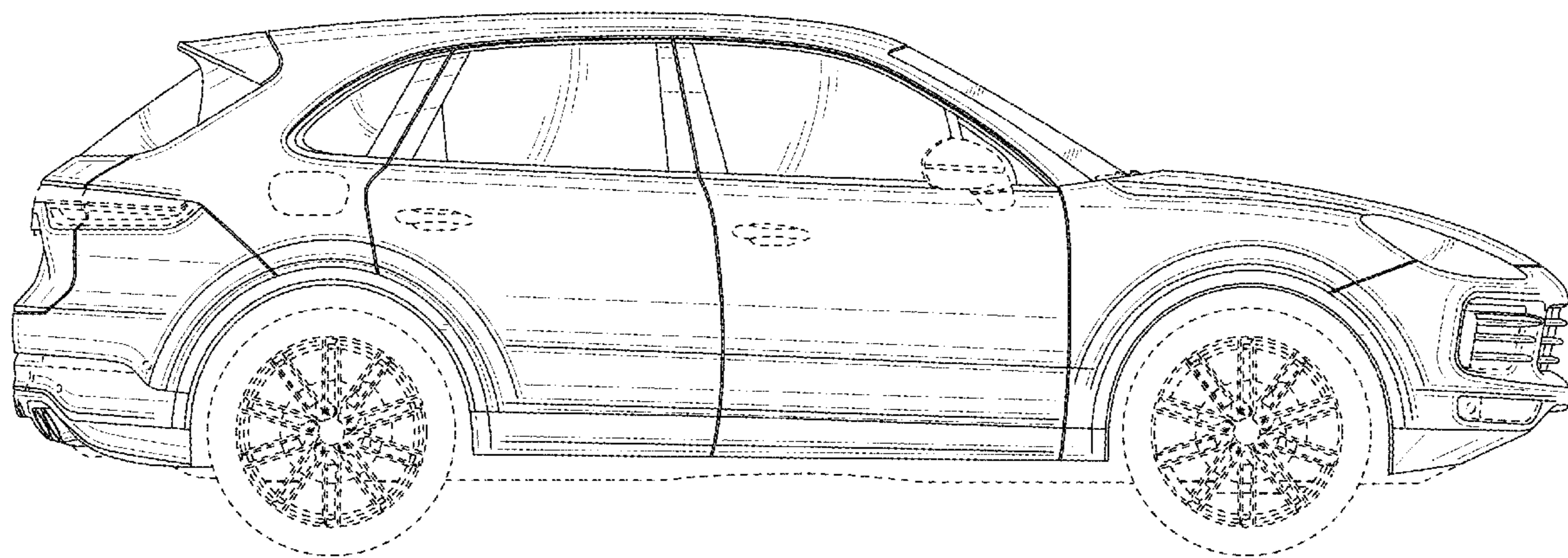
FIG. 2 is a rear elevation view thereof;

FIG. 3 is a top plan view thereof; and,

FIG. 4 is a left side elevation view thereof, the right side elevation view being a substantial mirror image of the left side elevation view.

The broken line showing of the motor vehicle, toy and/or replica is for the purpose of illustrating portions of the motor vehicle, toy and/or replica and forms no part of the claimed design.

1 Claim, 4 Drawing Sheets



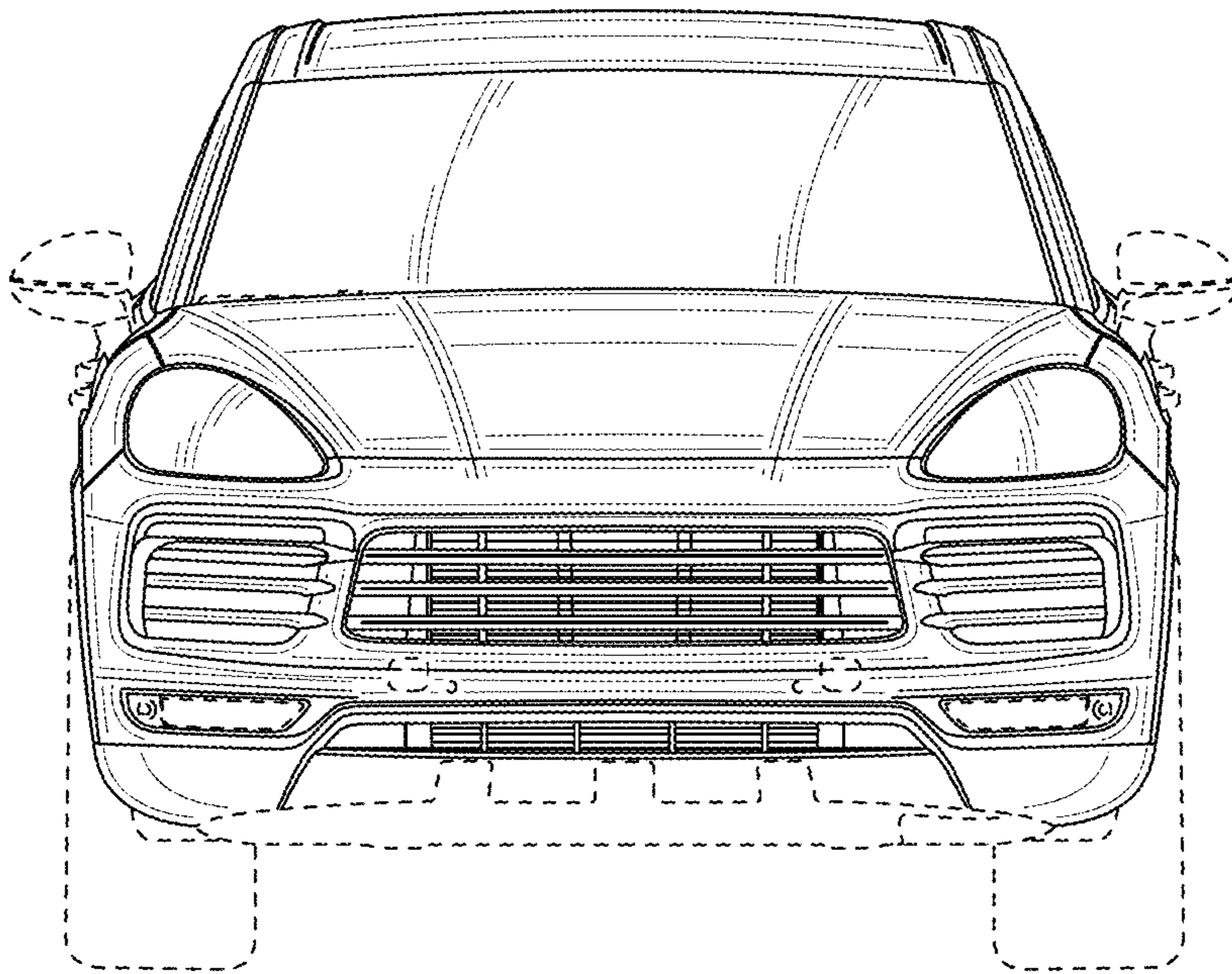


FIG. 1

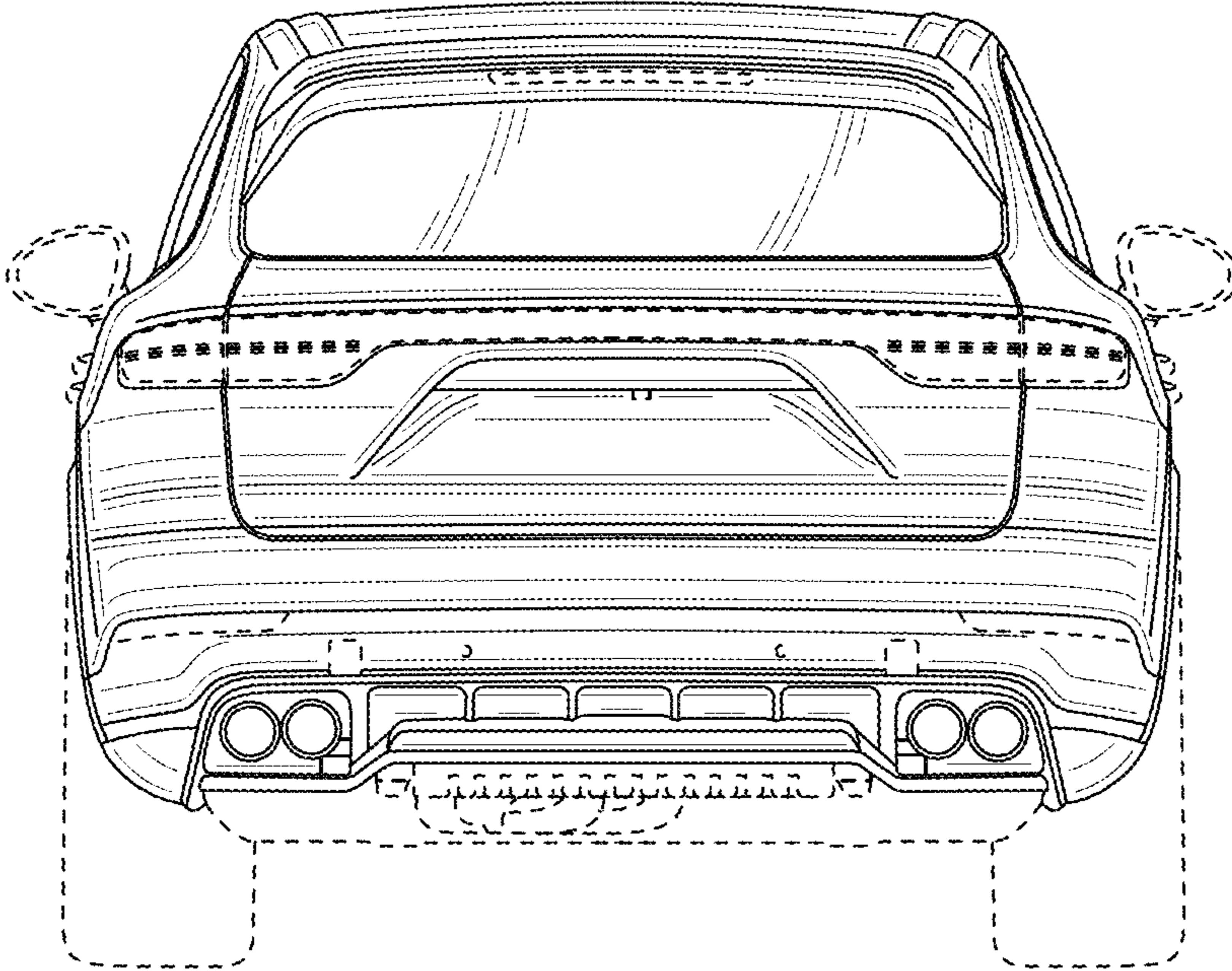


FIG. 2

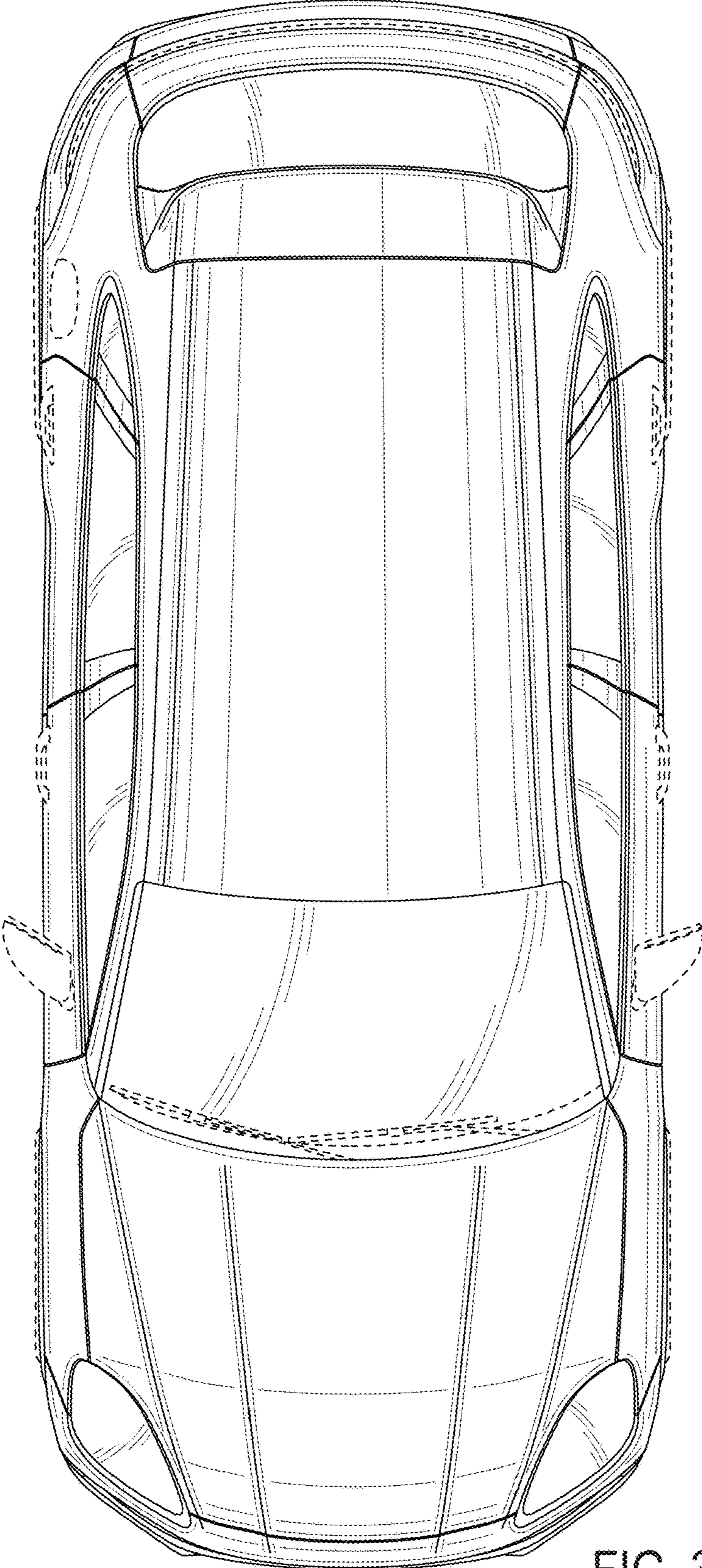


FIG. 3

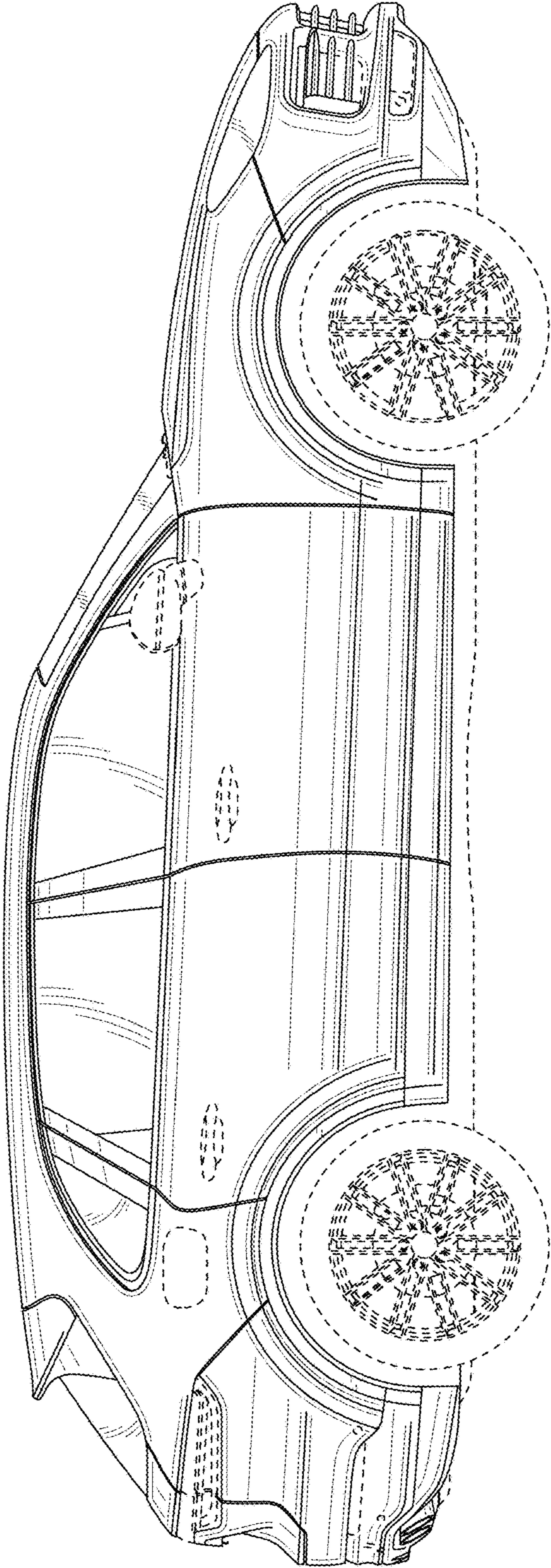


FIG. 4