



US00D826778S

(12) **United States Design Patent** (10) **Patent No.:** **US D826,778 S**
Wang (45) **Date of Patent:** **** Aug. 28, 2018**

(54) **DRONE**
(71) Applicant: **Superior Communications, Inc.**,
Irwindale, CA (US)
(72) Inventor: **Szuchi Wang**, New Taipei (TW)
(73) Assignee: **SUPERIOR COMMUNICATIONS,**
INC., Irwindale, CA (US)
(**) Term: **15 Years**
(21) Appl. No.: **29/613,087**
(22) Filed: **Aug. 7, 2017**
(51) **LOC (11) Cl.** **12-07**
(52) **U.S. Cl.**
USPC **D12/16.1**
(58) **Field of Classification Search**
USPC D12/16.1, 319-345; D21/436, 441, 442,
D21/443, 444, 447-454, 437
CPC B64C 2201/141; B64C 39/024; B64C
2201/127
See application file for complete search history.

(56) **References Cited**
U.S. PATENT DOCUMENTS
D197,037 S * 12/1963 Howard D12/329
D217,839 S * 6/1970 Gluhareff D12/325
D312,480 S * 11/1990 Darnell D21/437
5,490,678 A * 2/1996 Darnell A63B 65/08
473/590
D465,815 S * 11/2002 Roehl D21/437
D564,852 S * 3/2008 Turpin D4/116
D642,227 S * 7/2011 Walterscheid D21/437
D715,373 S * 10/2014 Thompson D21/453
D724,156 S * 3/2015 Fisher D21/444
D729,322 S * 5/2015 Fisher D21/437

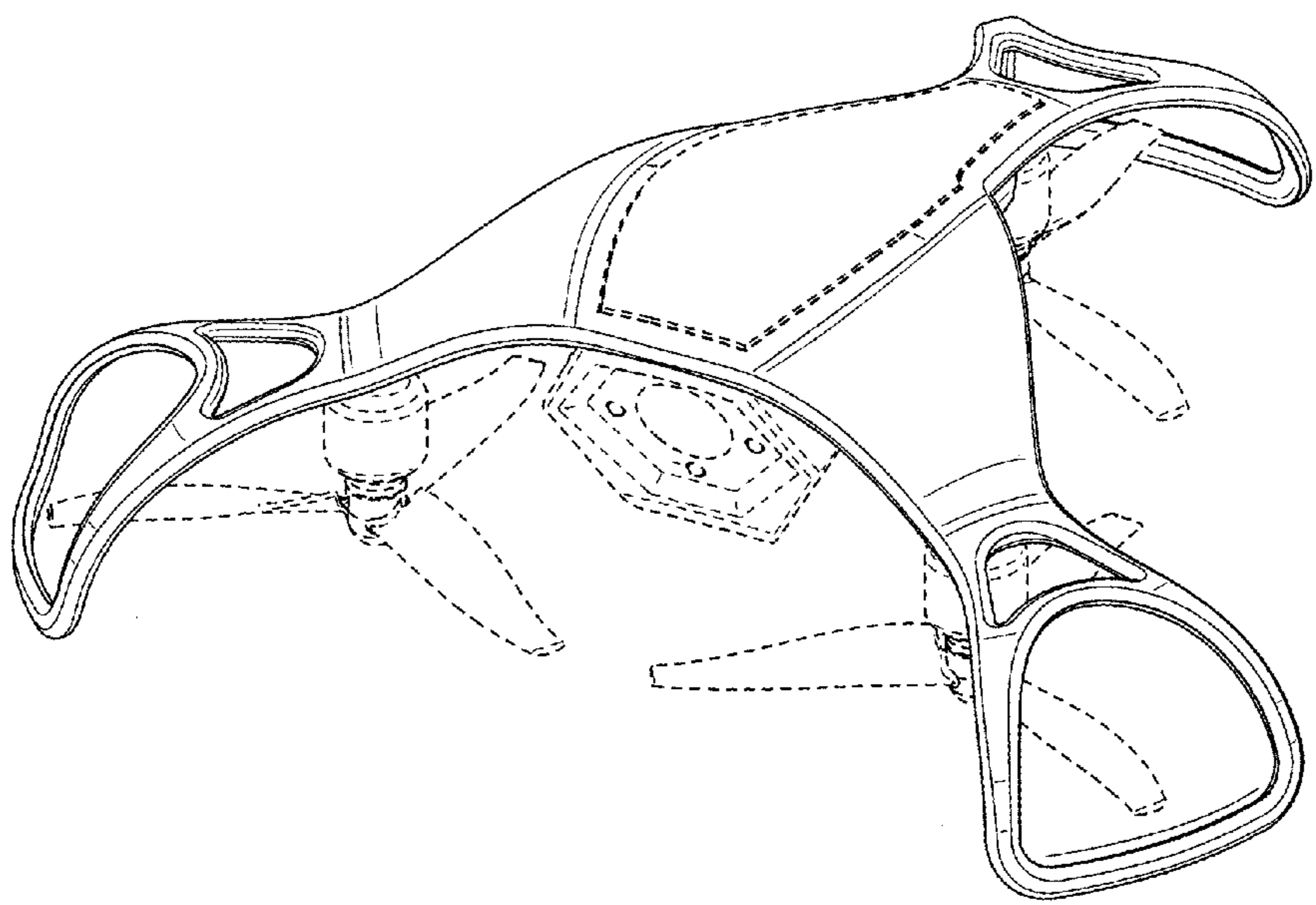
D761,921 S * 7/2016 Schmelter D21/441
D770,940 S * 11/2016 Taylor D12/16.1
D803,327 S * 11/2017 Gaus D21/436
9,823,664 B2 * 11/2017 Krogh G05D 1/042
D806,607 S * 1/2018 Zhydanov D12/16.1
2010/0044499 A1 * 2/2010 Dragan B64C 1/30
244/17.23
2014/0263822 A1 * 9/2014 Malveaux B64C 39/024
244/17.23
2016/0194069 A1 * 7/2016 Taylor B64C 39/024
244/17.23
2016/0280369 A1 * 9/2016 Pounds A63H 27/00
2016/0311528 A1 * 10/2016 Nemovi B64C 27/82
2017/0183106 A1 * 6/2017 Yu B64F 1/025
2017/0369162 A1 * 12/2017 Alzahrani B64C 29/0033

* cited by examiner
Primary Examiner — Brandon Michael Rosati
Assistant Examiner — Marissa J Cash
(74) *Attorney, Agent, or Firm* — Snell & Wilmer LLP

(57) **CLAIM**
The ornamental design for a drone, as shown and described.

DESCRIPTION
FIG. 1 is a front perspective view of a drone showing our new design;
FIG. 2 is a front view thereof;
FIG. 3 is a rear view thereof;
FIG. 4 is a left side view thereof;
FIG. 5 is a right side view thereof;
FIG. 6 is a top view thereof; and,
FIG. 7 is a bottom view thereof.
The broken lines shown in FIGS. 1 through 7 illustrate portions of the drone which form no part of the claimed design.

1 Claim, 7 Drawing Sheets



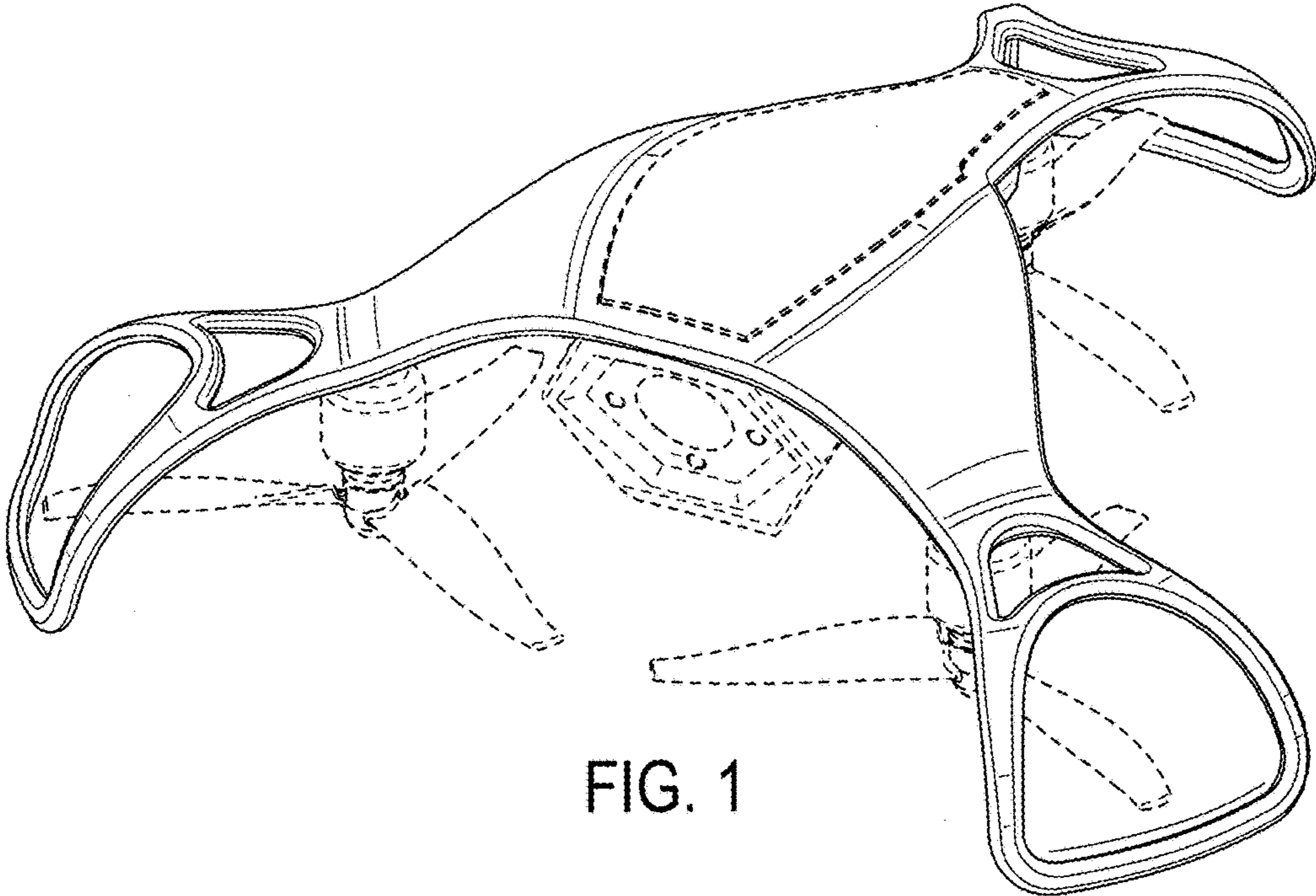


FIG. 1

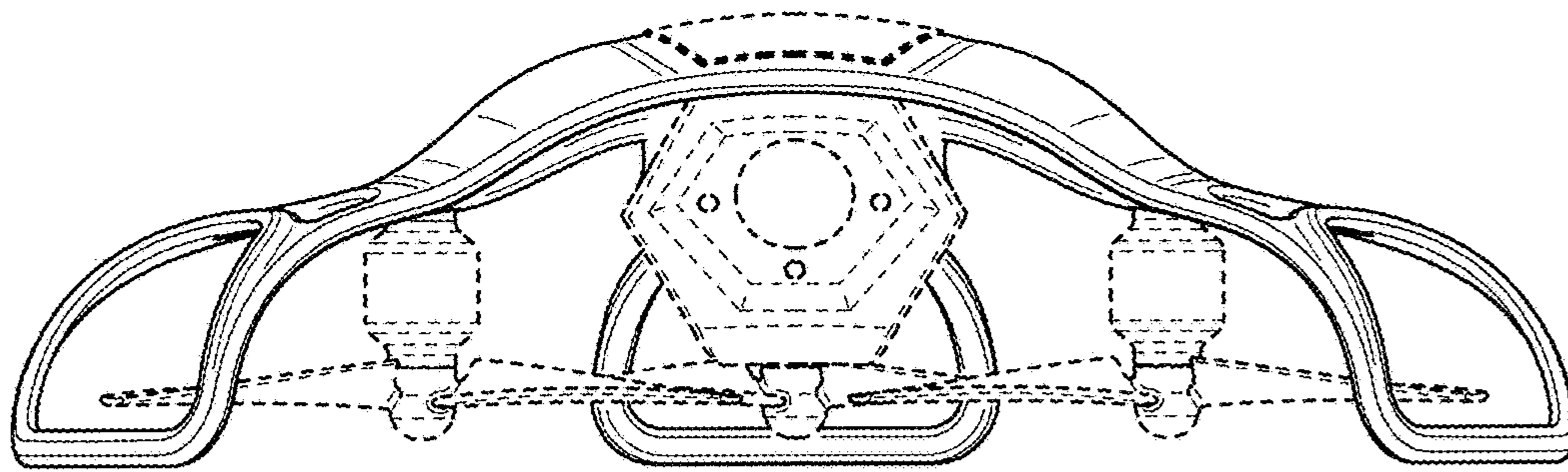


FIG. 2

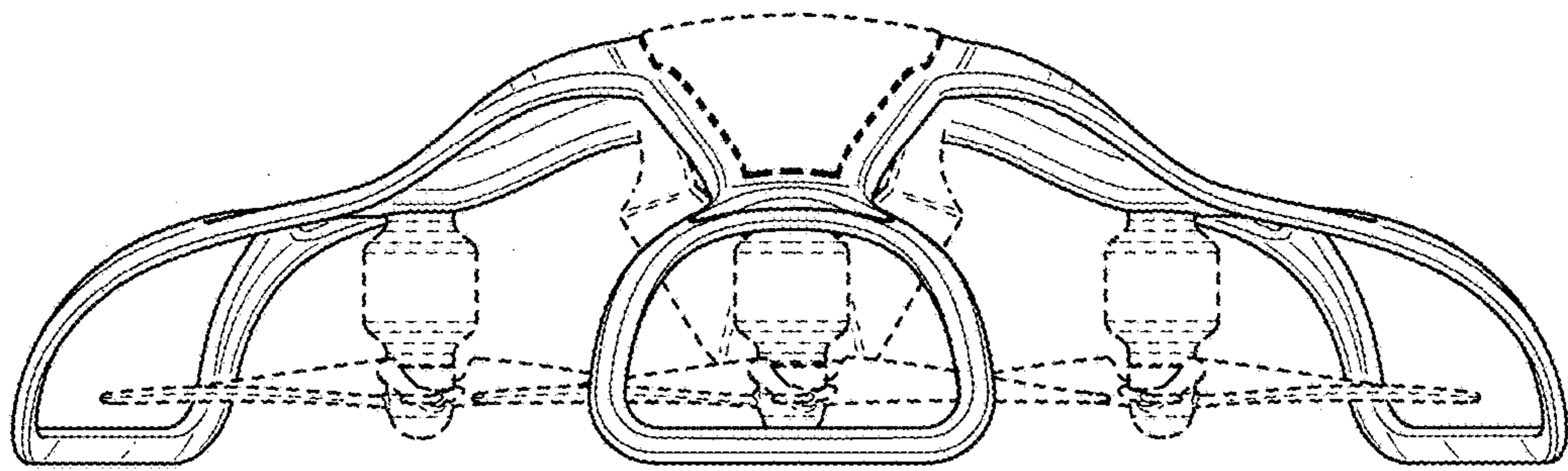


FIG. 3

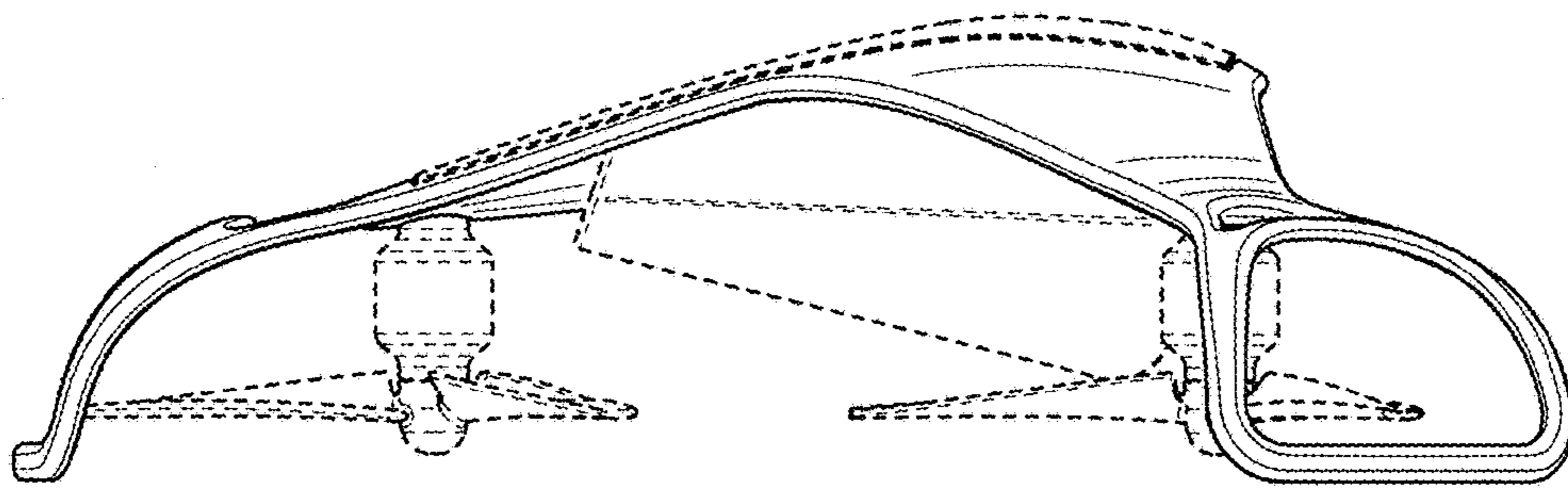


FIG. 4

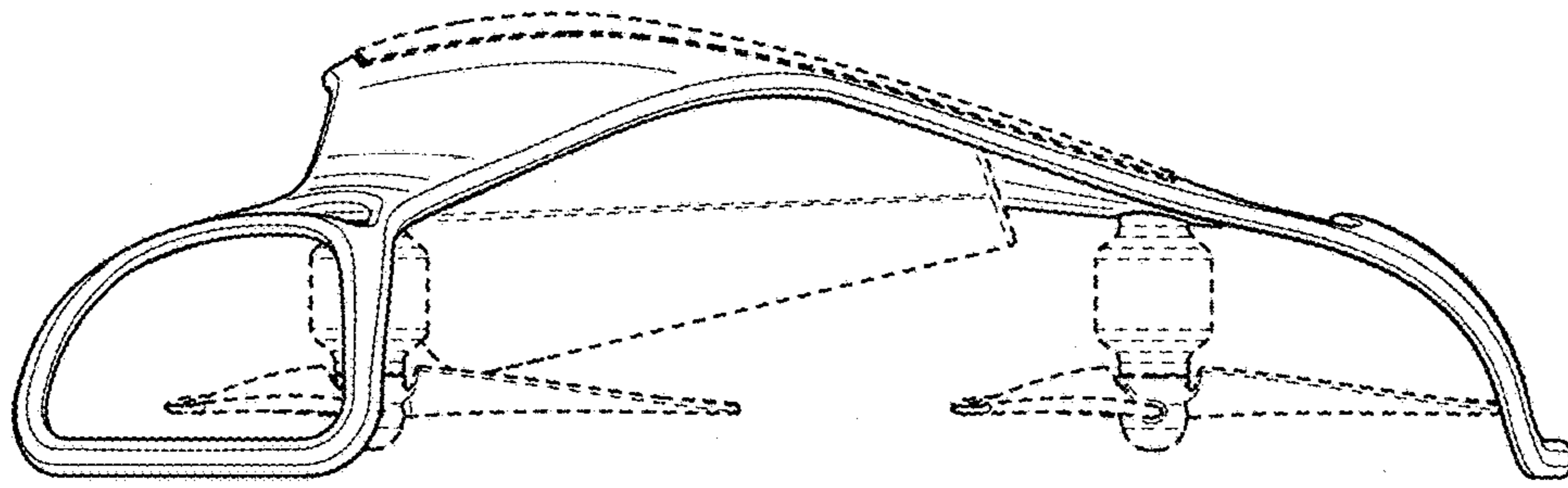


FIG. 5

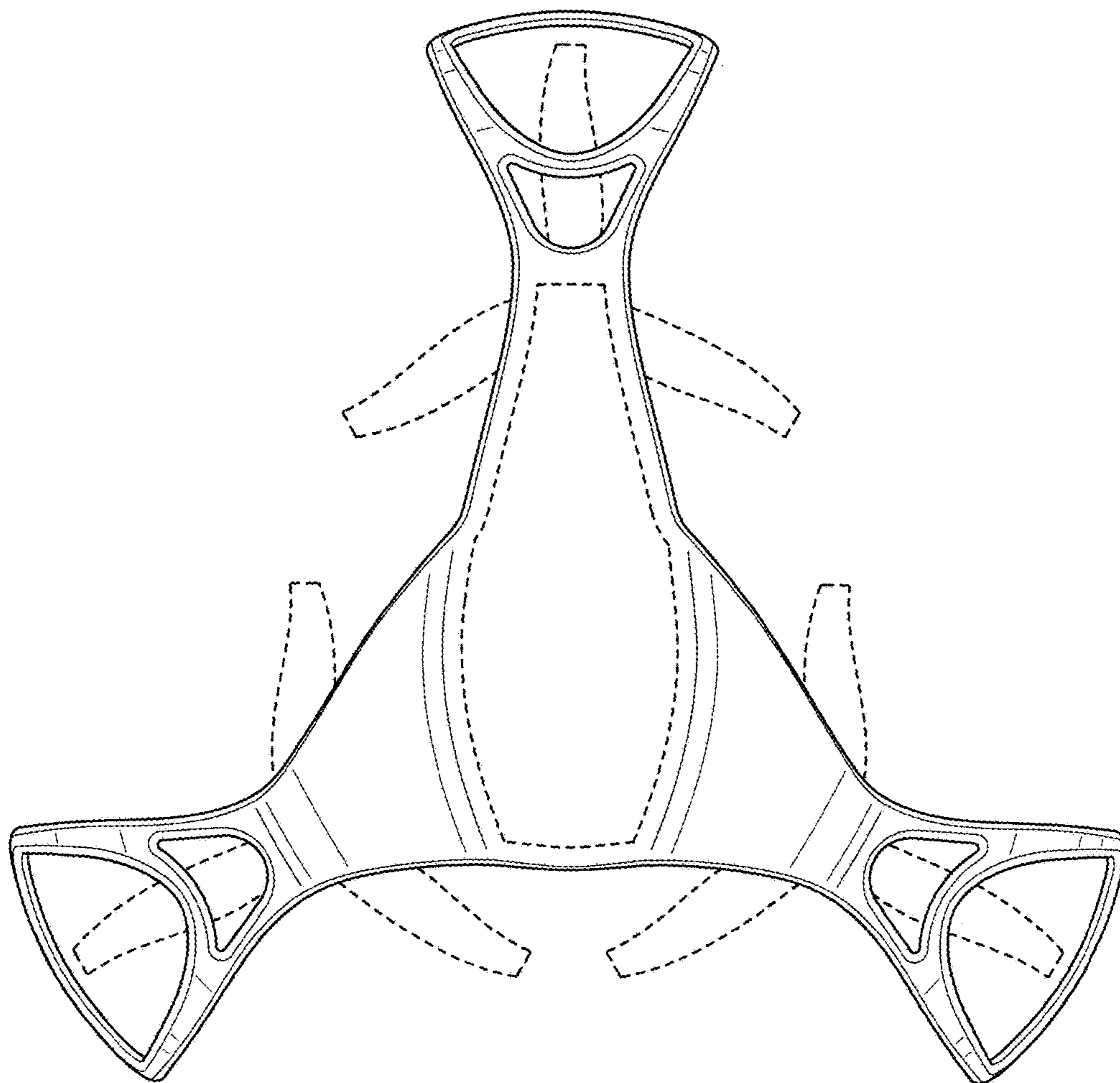


FIG. 6

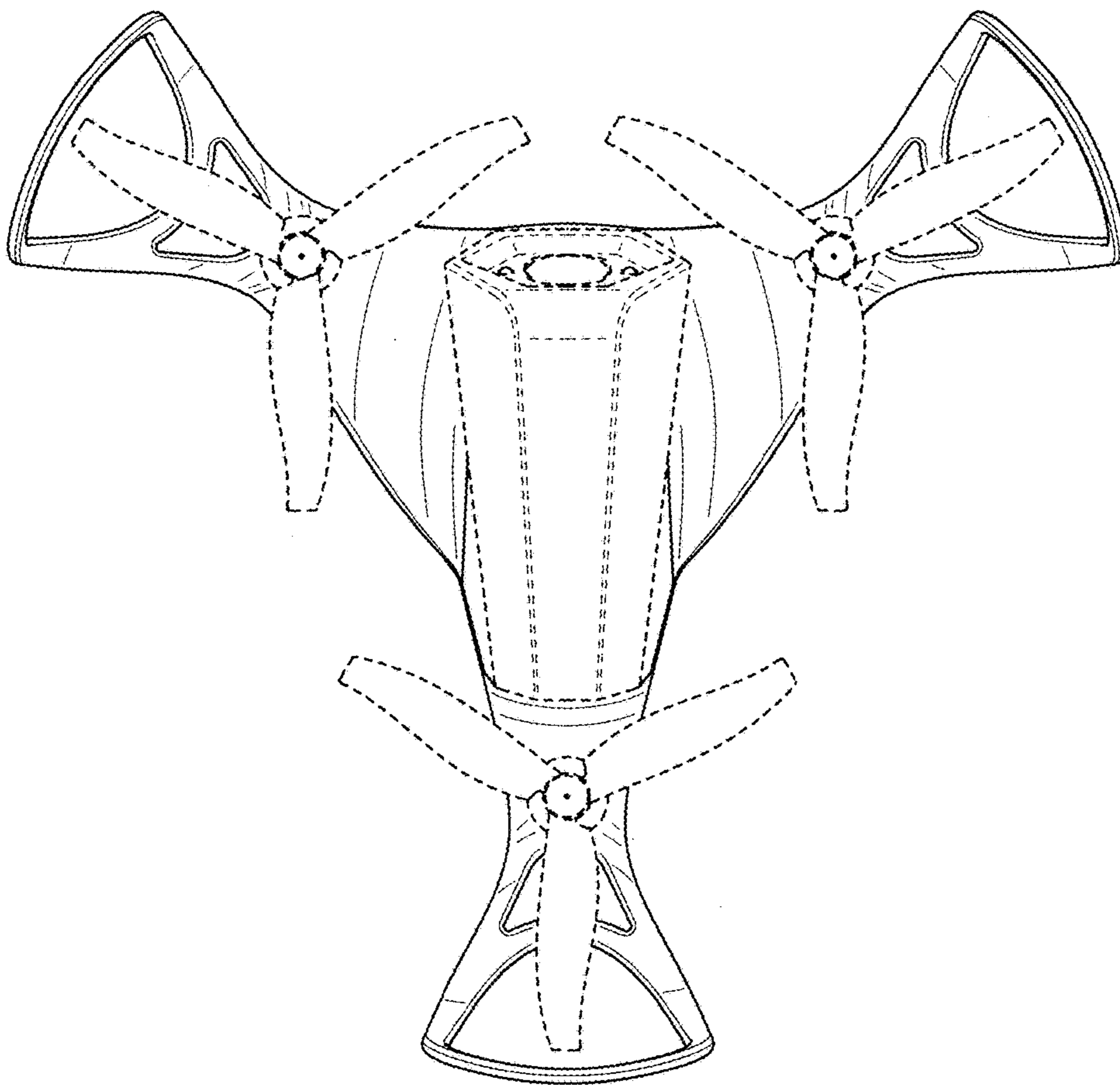


FIG. 7