



US00D826775S

(12) **United States Design Patent** (10) **Patent No.:** **US D826,775 S**
Savage et al. (45) **Date of Patent:** **** Aug. 28, 2018**

(54) **CLASP**
(71) Applicants: **Jeremy Savage**, Pawtucket, RI (US);
Kiel McKivergan, Pawtucket, RI (US)
(72) Inventors: **Jeremy Savage**, Pawtucket, RI (US);
Kiel McKivergan, Pawtucket, RI (US)
(**) Term: **15 Years**
(21) Appl. No.: **29/610,531**
(22) Filed: **Jul. 13, 2017**
(51) **LOC (11) Cl.** **02-07**
(52) **U.S. Cl.**
USPC **D11/208**
(58) **Field of Classification Search**
USPC D11/1-2, 200-210, 214-218, 232, 238,
D11/212; 24/163 R, 169-171, 173,
24/177-179, 191, 194-195, 197, 200,
24/614-616, 625, 198, 578.11, 578.1,
24/163 K, 114; D2/853, 624
CPC A44B 11/26; A44B 11/25; A44B 11/06;
A44B 11/04; A44B 11/01; A44B 11/001;
A44B 11/10
See application file for complete search history.

(56) **References Cited**
U.S. PATENT DOCUMENTS
D19,359 S * 10/1889 Sanders D11/238
D19,447 S * 11/1889 Noble D11/212
D43,030 S * 9/1912 Adam D11/208
D84,878 S * 8/1931 Cooper D11/208
D94,197 S * 1/1935 Freysinger D11/212
D254,939 S * 5/1980 Lober D11/208
D543,678 S * 6/2007 Boas D11/200
D628,513 S * 12/2010 Della Valle D11/200

OTHER PUBLICATIONS
“Arezzo Italian Loafers”—Italian Made Venetian with Bit Slip-on Loafers Men’s Dress Shoes by Allen Edmonds—advertisement dated Apr. 12, 2017 (website link: <http://www.allenedmonds.com>).

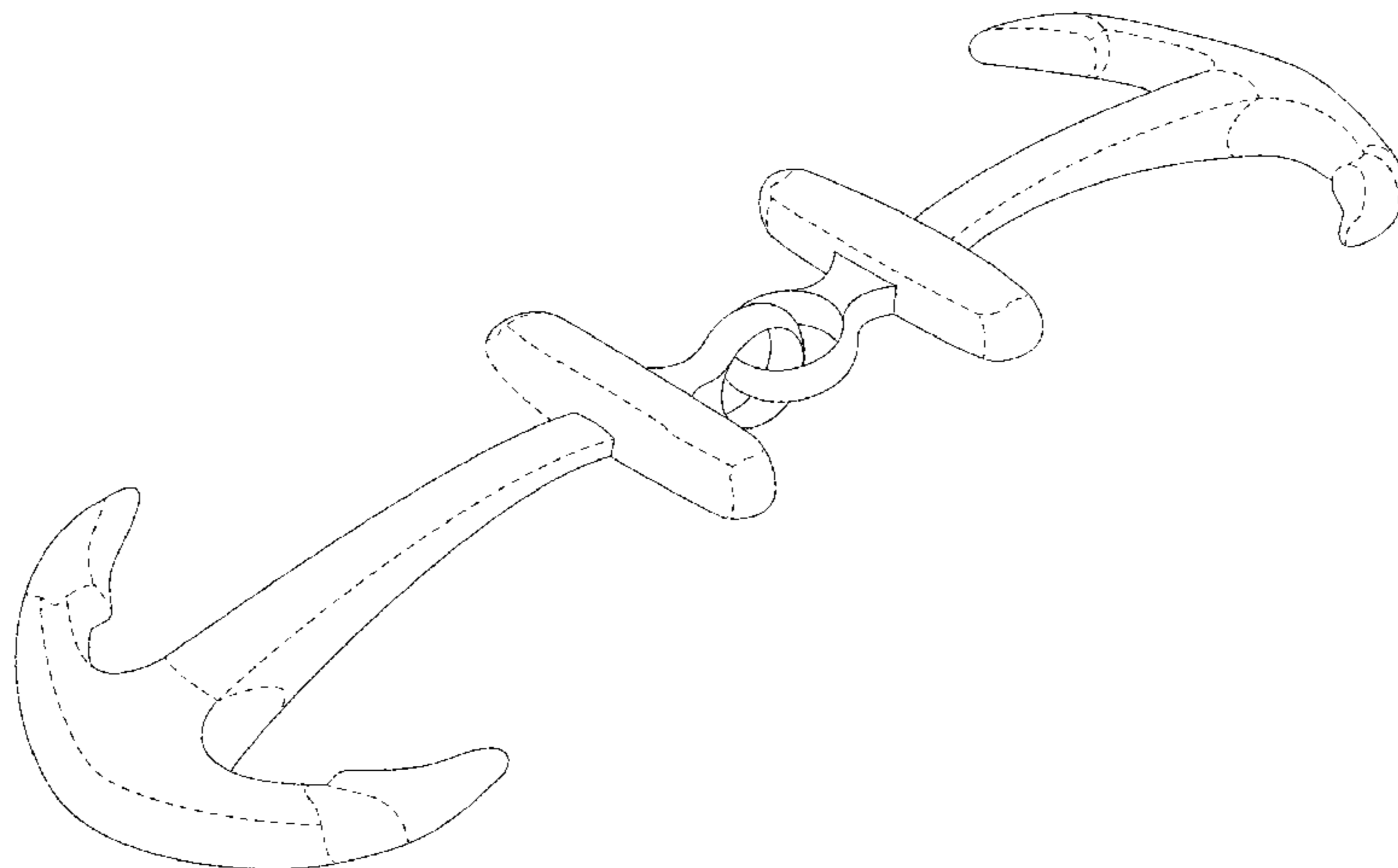
Gucci anchor buckle (website link: <https://i.pinimg.com/236x/72/33/38/723338cb42397b3091c8527298afc7cb.jpg>).
Gucci “Leather skinny belt with Horsebit” (website link: <https://www.gucci.com/us/en/pr/women/womens-accessories/womens-belts/womens-skinny/leather-skinny-belt-with-horsebit-p-282349BGH0G1000>).
Gucci “Horsebit” loafers (website link: <https://www.gucci.com/us/en/pr/men/mens-shoes/mens-moccasins-loafers/1953-horsebit-leather-loafer-p-307929BLM001000>).
KielJamesPatrick belts with anchor design (webpage: kieljamespatrick.com).

* cited by examiner
Primary Examiner — Ralf T Seifert
(74) *Attorney, Agent, or Firm* — Fisherbroyles, LLP

(57) **CLAIM**
The ornamental design for a clasp, as shown and described.

DESCRIPTION
FIG. 1 is a top side perspective view of our new design; FIG. 2 is a first end view of the design of FIG. 1; FIG. 3 is a second end view of the design of FIG. 1; FIG. 4 is a first side view of the design of FIG. 1; FIG. 5 is a second side view of the design of FIG. 1; FIG. 6 is a bottom view of the design of FIG. 1; FIG. 7 is a top view of the design of FIG. 1; FIG. 8 is a top view of a pair of shoes including the design of FIG. 1; FIG. 9 is a perspective view of a bracelet according to an embodiment including the design of FIG. 1; FIG. 10 is a perspective view of a bracelet according to another embodiment including the design of FIG. 1; FIG. 11 is a side view of a handbag including the design of FIG. 1; and, FIG. 12 is a side view of a belt including the design of FIG. 1.
The broken lines in the drawings depict environmental subject matter only and form no part of the claimed design.

1 Claim, 7 Drawing Sheets



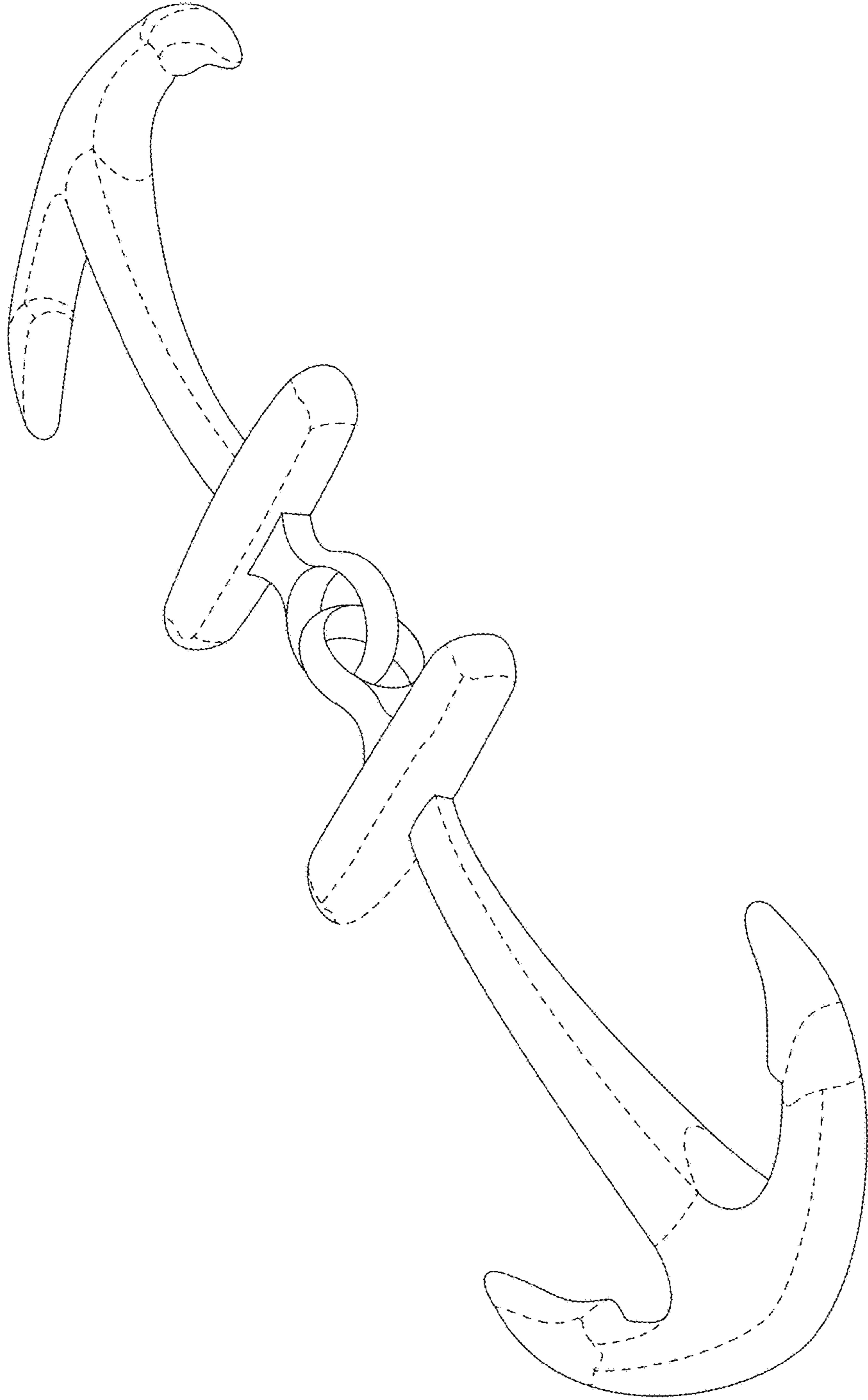


FIG. 1

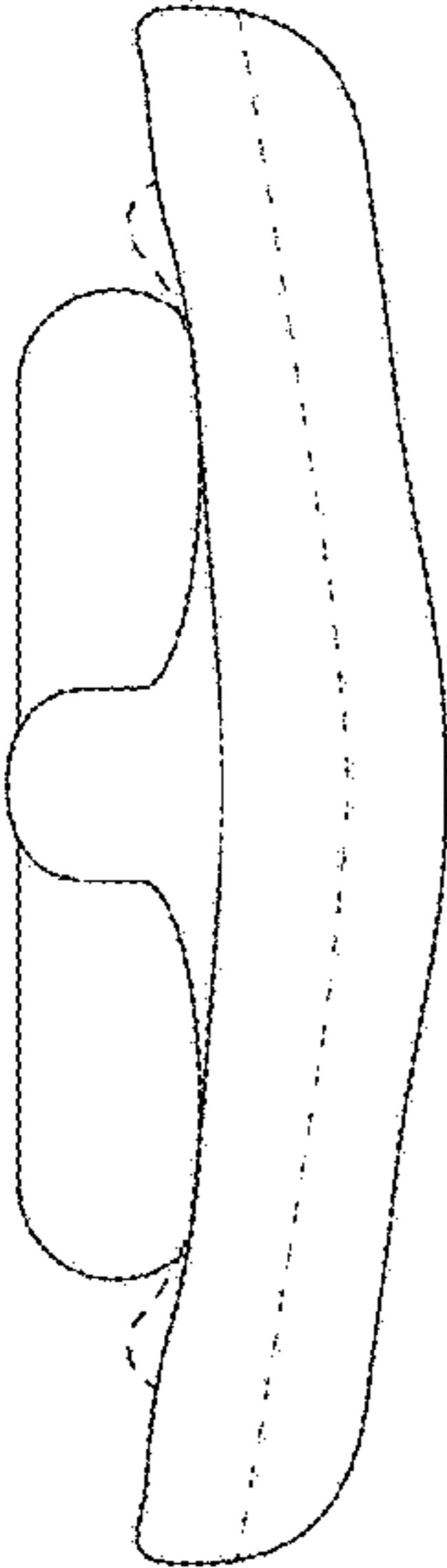


FIG. 2

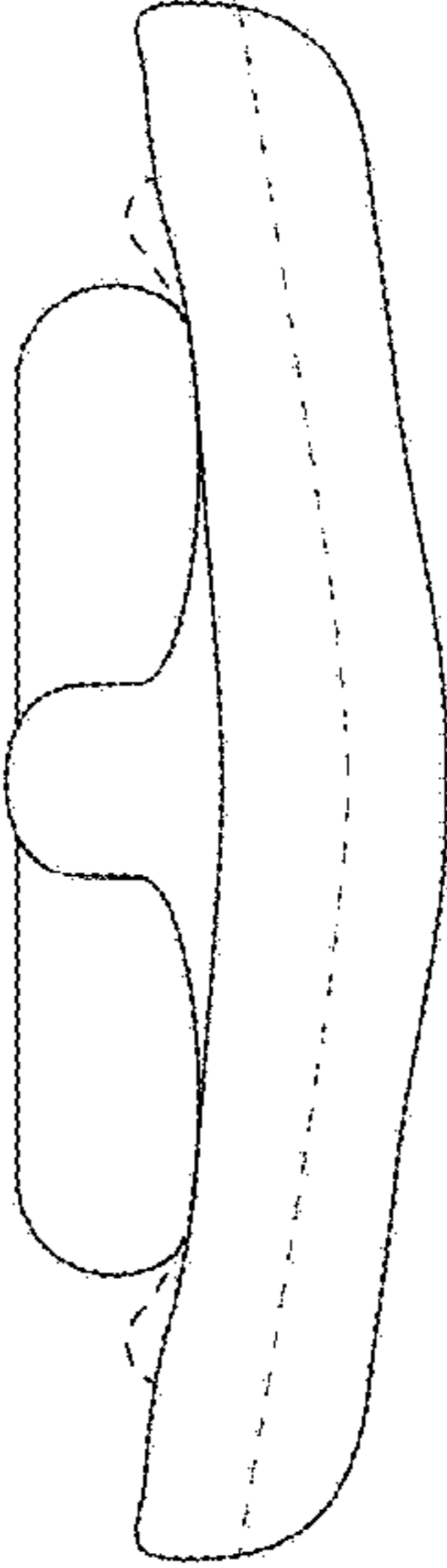


FIG. 3

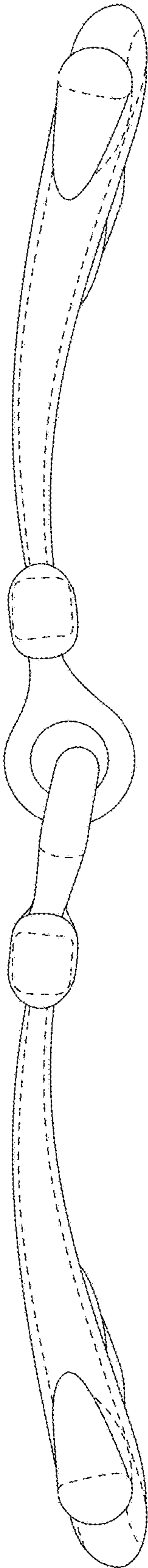


FIG. 4

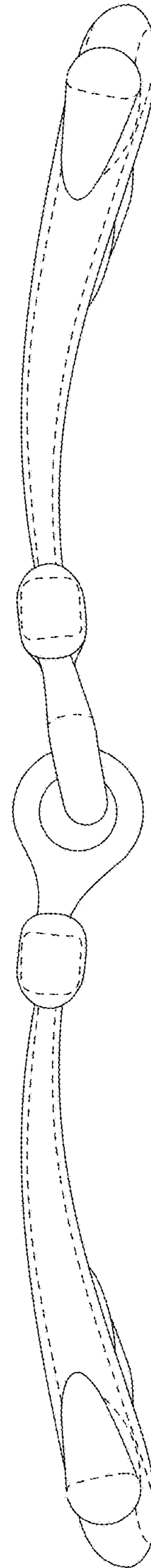


FIG. 5

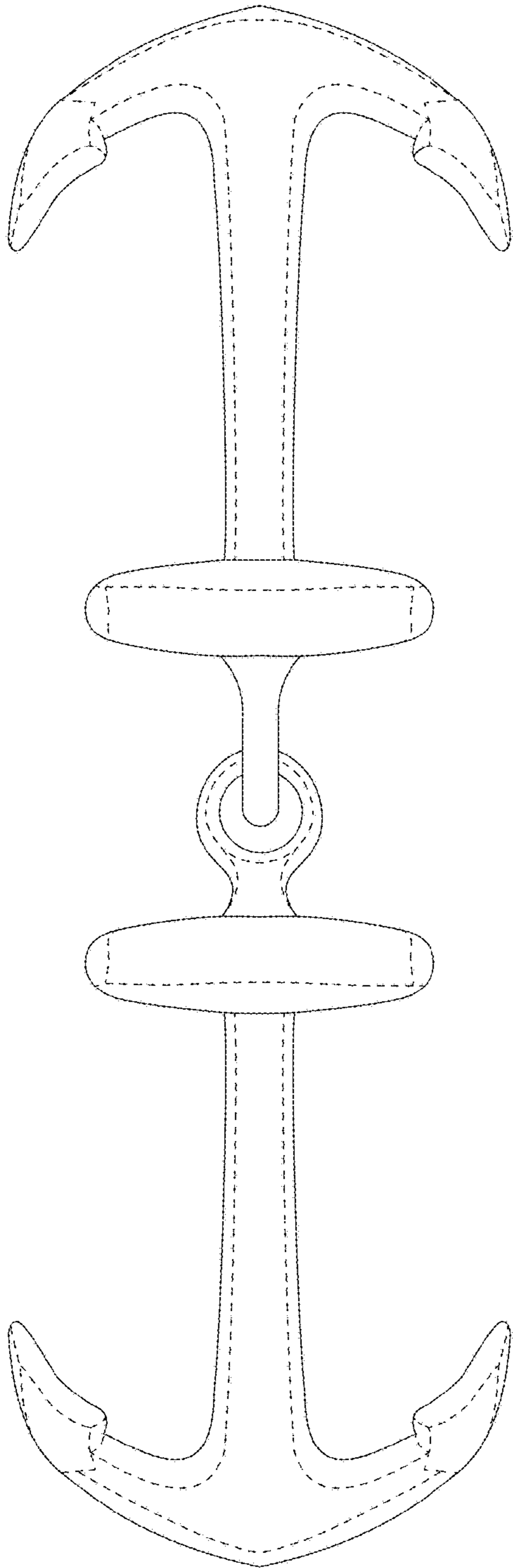


FIG. 6

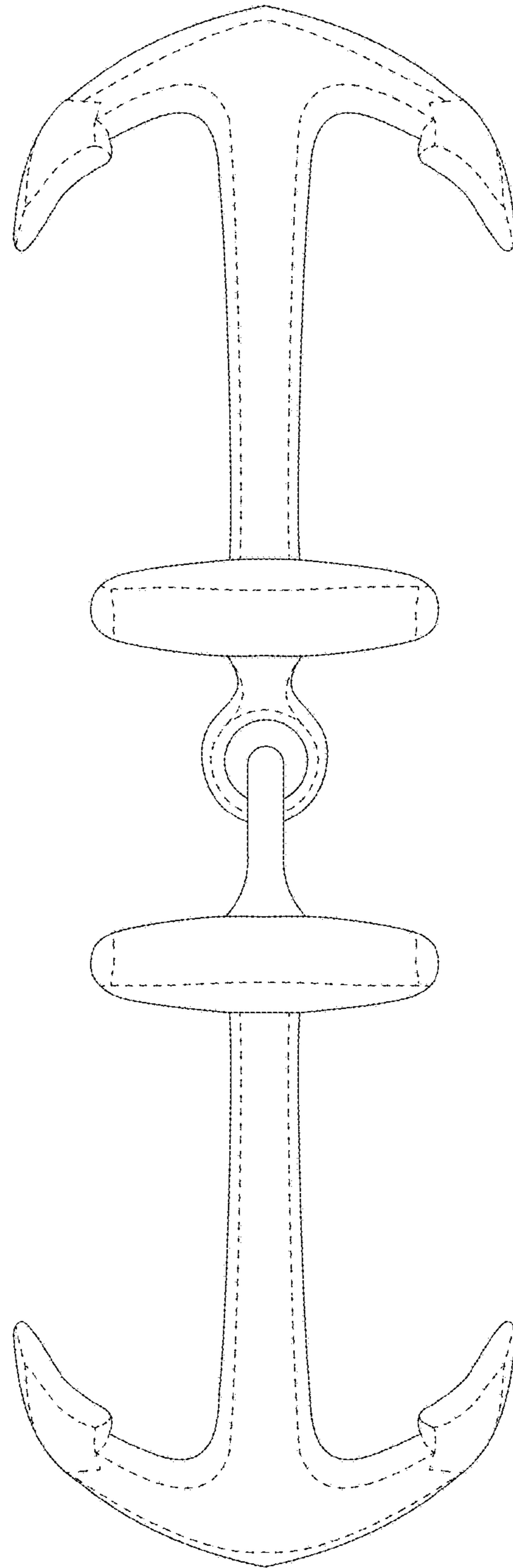


FIG. 7

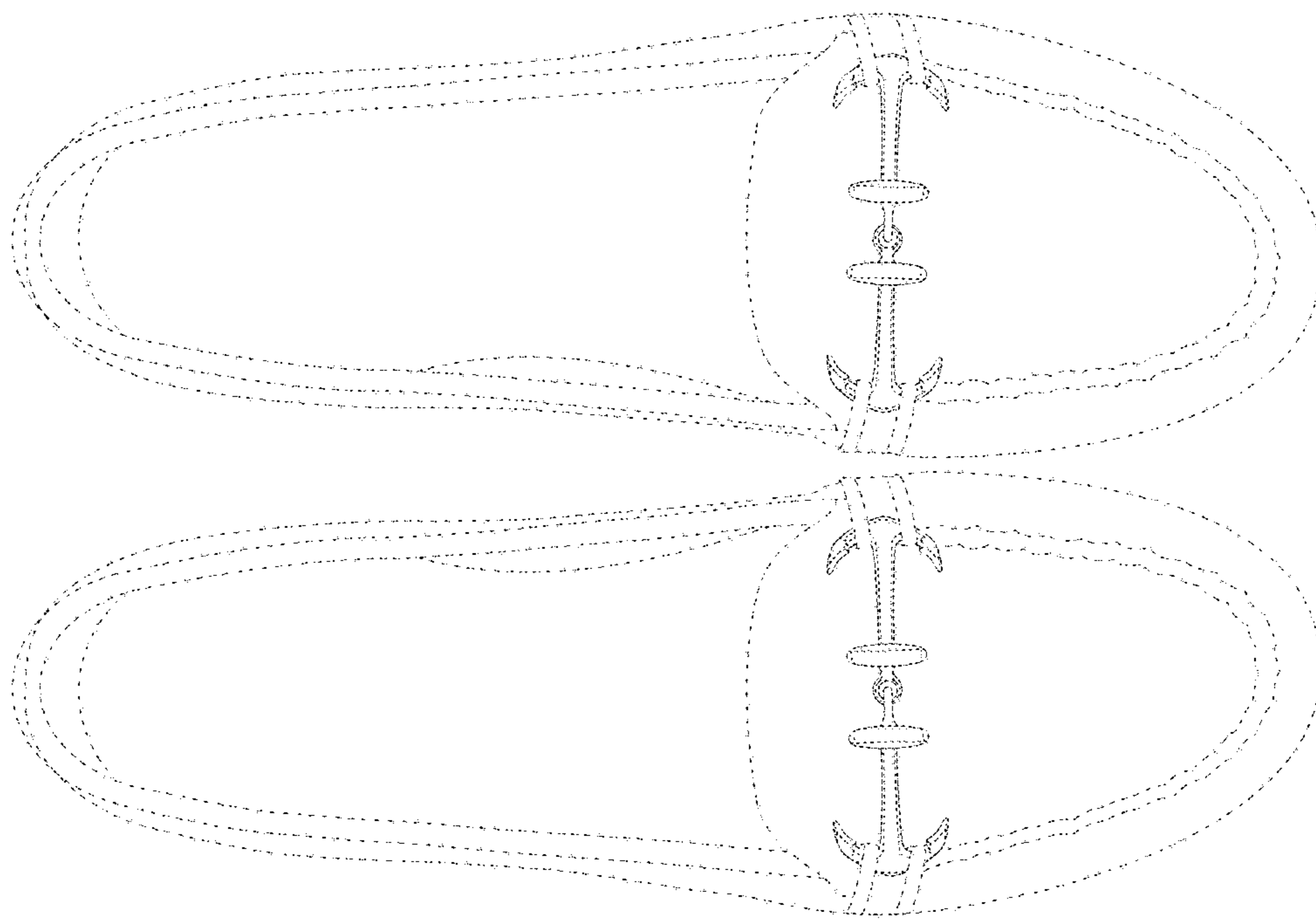


FIG. 8

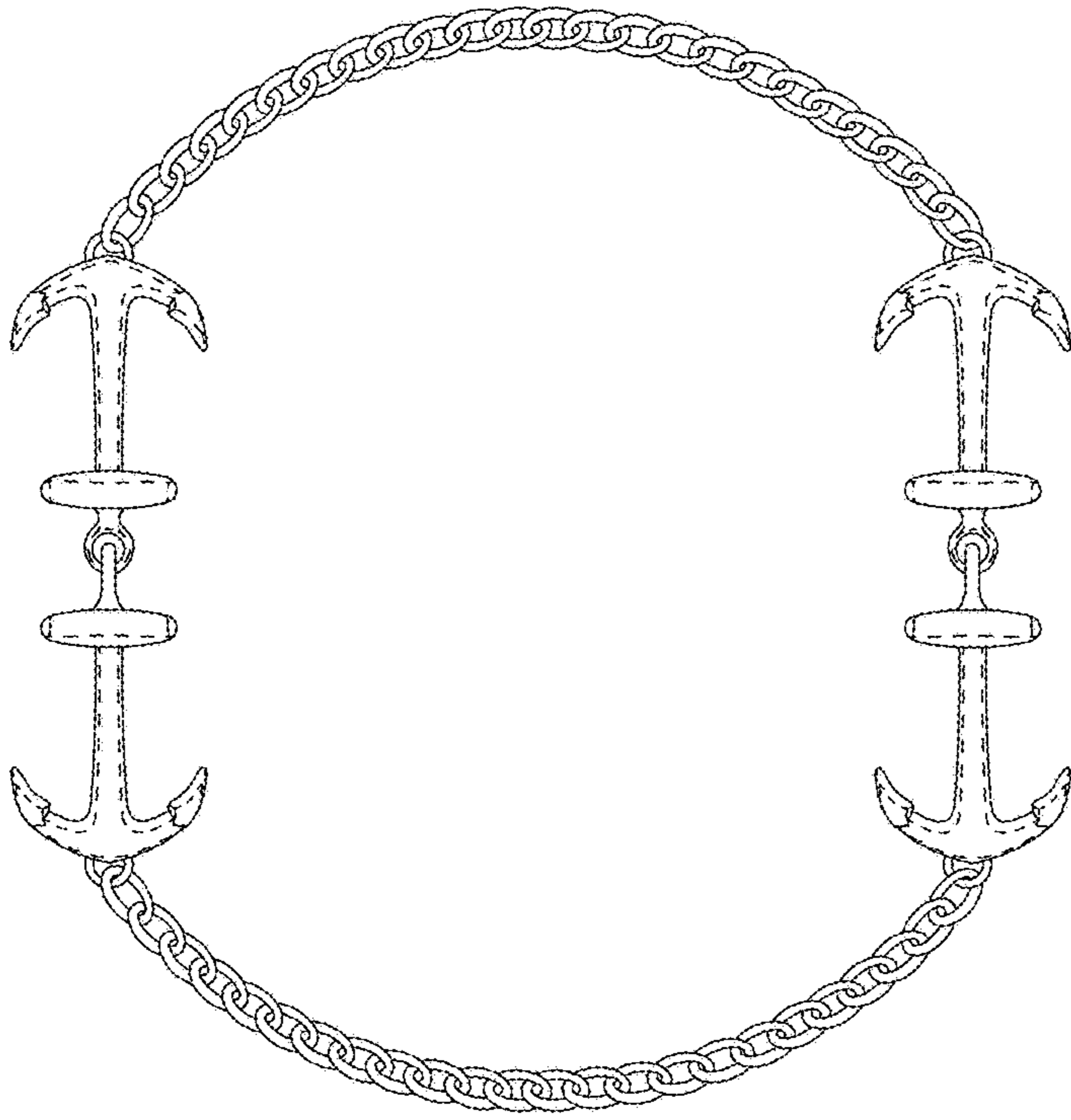


FIG. 10

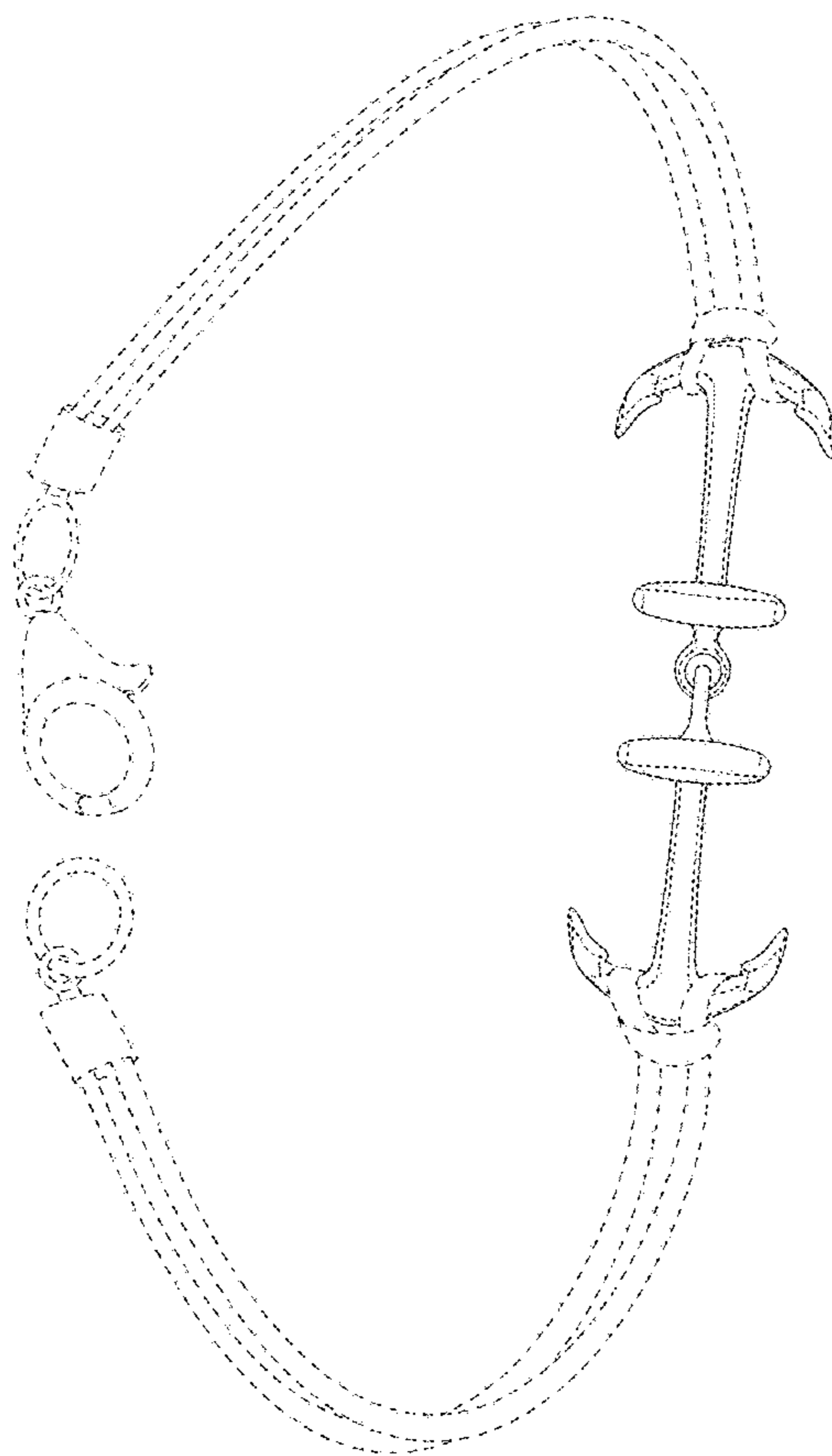


FIG. 9

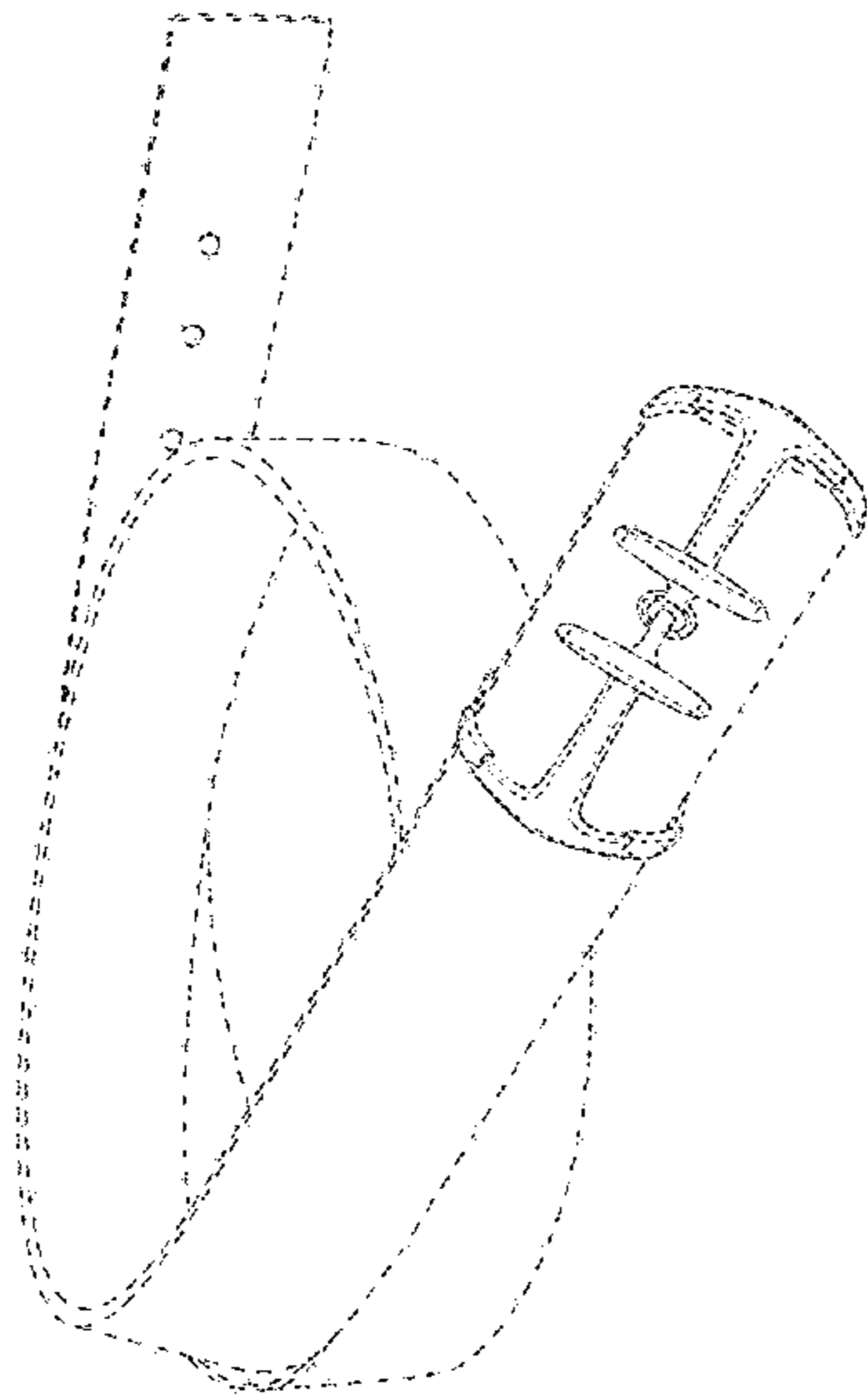


FIG. 12

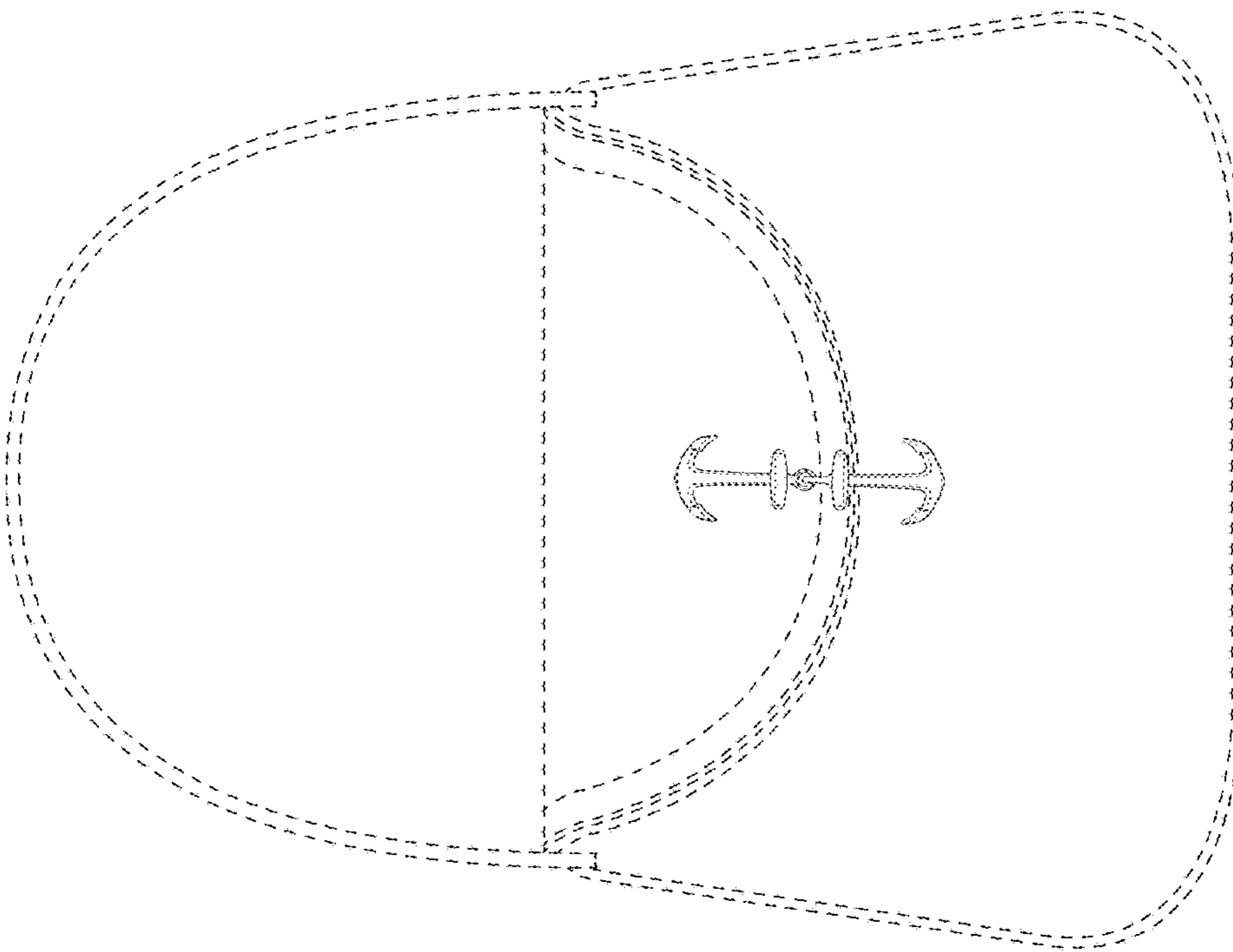


FIG. 11