



US00D826771S

(12) **United States Design Patent** (10) **Patent No.:** **US D826,771 S**  
**Ellingson** (45) **Date of Patent:** **\*\* Aug. 28, 2018**

(54) **BELT CLIP**

(71) Applicant: **Kelly Ellingson**, San Diego, CA (US)

(72) Inventor: **Kelly Ellingson**, San Diego, CA (US)

(\*\*) Term: **15 Years**

(21) Appl. No.: **29/588,257**

(22) Filed: **Dec. 19, 2016**

(51) **LOC (11) Cl.** ..... **02-07**

(52) **U.S. Cl.**  
USPC ..... **D11/200**

(58) **Field of Classification Search**

USPC ..... D11/200–201, 7, 1–2, 86–87, 206–210, D11/212–216, 218, 78.1, 40–44, 46–49, D11/53, 56, 57, 59–61, 63, 65, 78–85, D11/89–90, 91–94, 99, 101, 106, D11/114–116; 24/163 R, 169–171, 173, 24/177–179, 191, 194–195, 197, 200, 24/303; D3/221; 63/12–20, 26, 28, 1.11, 63/14.1–14.8; D8/394–396, 71–74, 499, D8/354–355, 380–382; D6/329–380, D6/480–489, 495–499, 675–676.5, D6/682–682.6; D19/909, 915, 916, 917; D21/108, 484, 501, 300, 336, 338, 340, D21/349, 365, 471, 494, 499, 500, 698, D21/811, 812, 814, 826, 828, 839; D24/107, 128, 227, 229, 232, 234; D23/422; 46/25, 26; 446/122, 125; D25/113

CPC .... A44C 5/02; A61F 5/01; A42B 3/08; A47D 15/00; A01D 90/00; H01R 43/01; H02G 1/00; H02G 1/04; H02G 1/06; B25B 7/02; B25B 7/123; B25B 5/12; E05B 73/00; E05B 11/00; A63H 33/084; A63H 33/04

See application file for complete search history.

(56) **References Cited**

U.S. PATENT DOCUMENTS

D31,796 S \* 11/1899 Morgan ..... D10/64  
1,894,605 A \* 1/1933 Wright ..... A63H 33/04  
446/122  
D90,709 S \* 9/1933 Goodman ..... 108/92  
2,278,327 A \* 3/1942 Magnus ..... A63H 33/108  
446/112  
D153,909 S \* 5/1949 Wais ..... 108/91  
3,318,453 A \* 5/1967 Cavanagh ..... B42F 17/08  
211/11  
3,361,088 A \* 1/1968 Hodgkin ..... A47B 9/00  
108/12  
D219,443 S \* 12/1970 Hubel ..... D6/335

(Continued)

OTHER PUBLICATIONS

Poseidon Table Bases, CustomMetalHome.com, [online], [site visited Mar. 8, 2018]. <URL: <https://custommetalthome.com/product/poseidon-table-bases/>> (Year: 2018).\*

(Continued)

*Primary Examiner* — T. Chase Nelson

*Assistant Examiner* — Jonathan J. Han

(74) *Attorney, Agent, or Firm* — Mintz Levin Cohn Ferris Glovsky and Popeo, P.C.

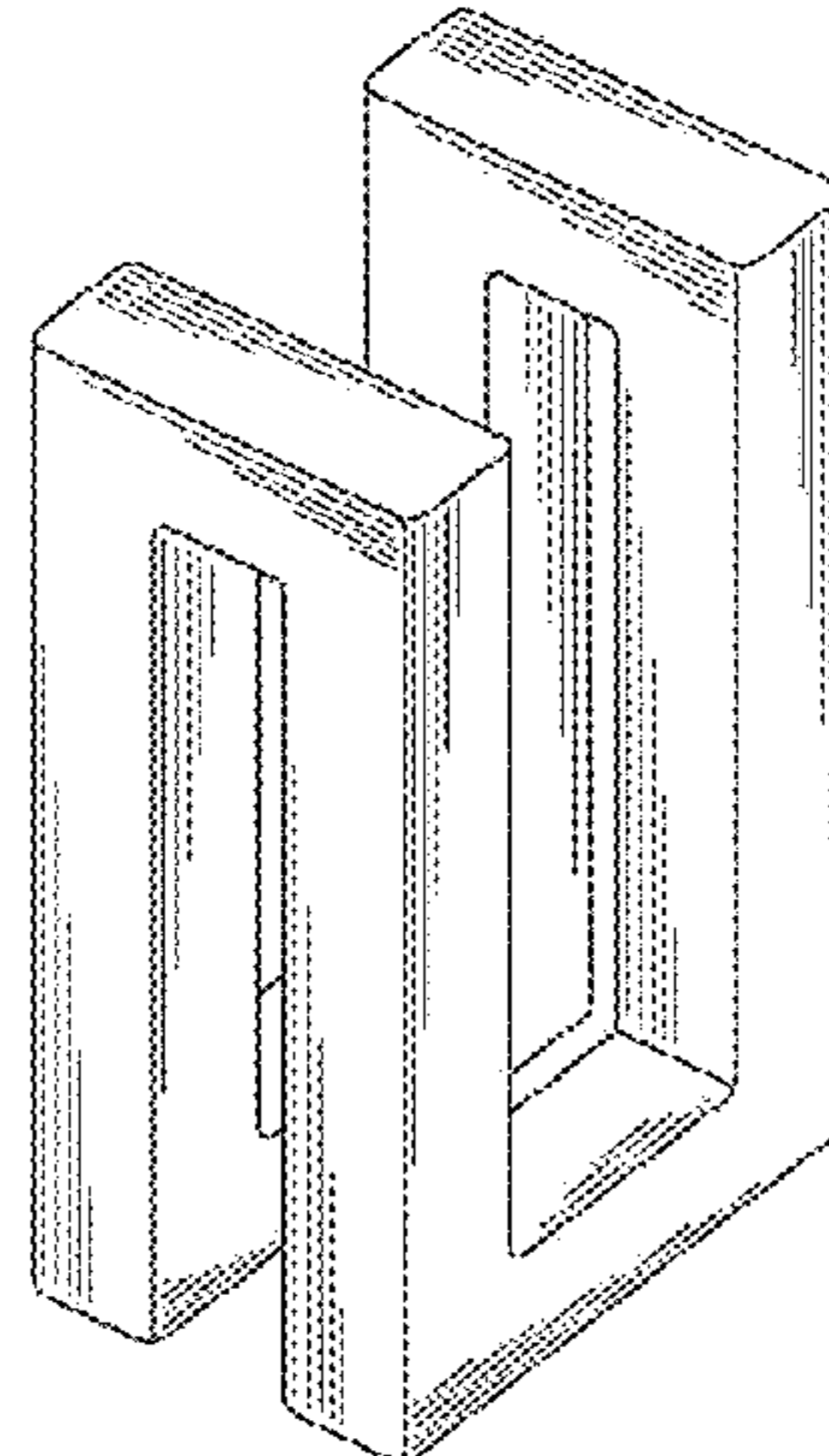
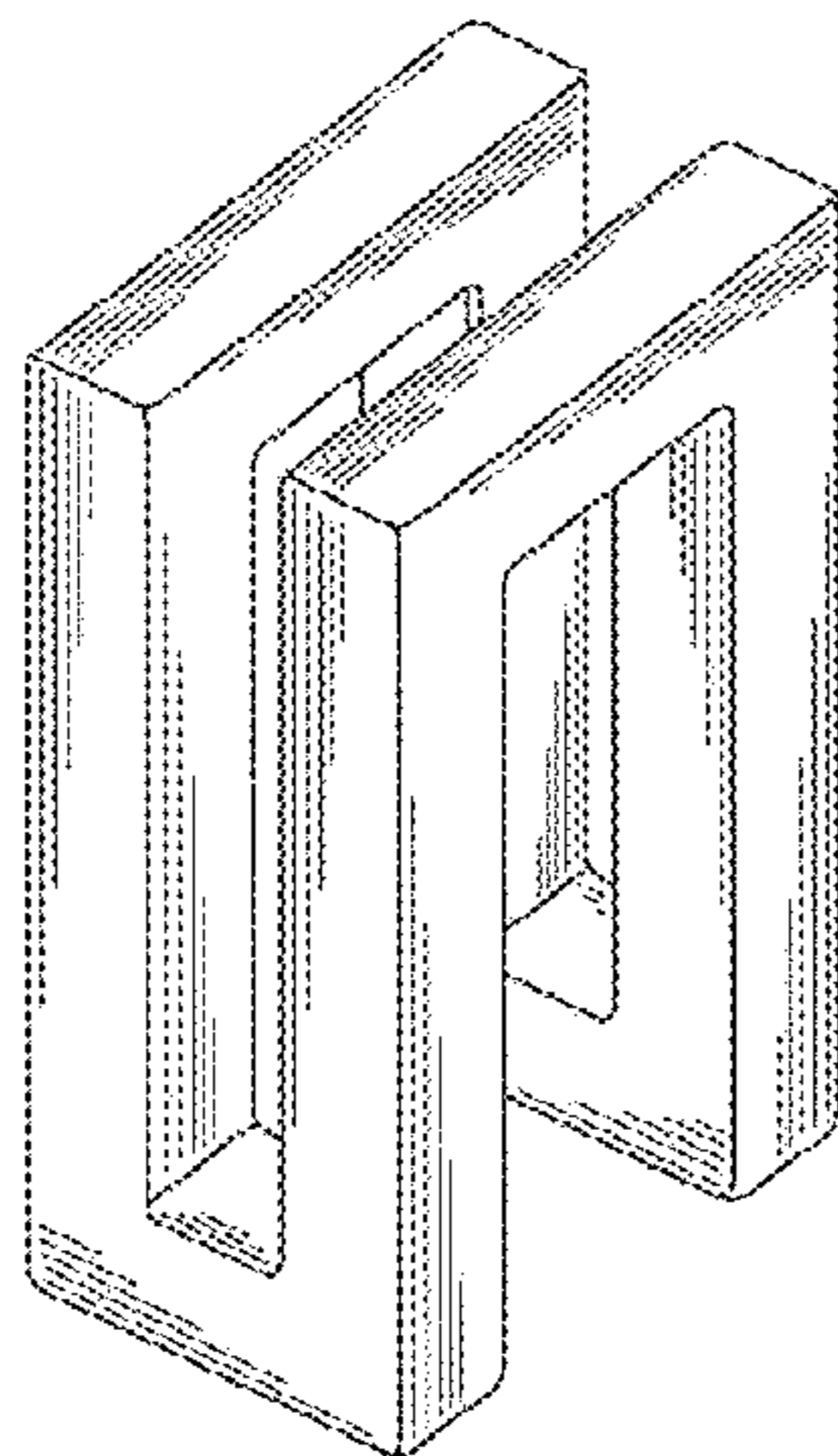
(57) **CLAIM**

An ornamental design for a belt clip, as shown and described.

**DESCRIPTION**

FIG. 1 is a front and bottom isometric view of a belt clip showing my new design;  
FIG. 2 is a front and top isometric view thereof;  
FIG. 3 is a front view thereof;  
FIG. 4 is a rear view thereof;  
FIG. 5 is a left view thereof;  
FIG. 6 is a right view thereof;  
FIG. 7 is a bottom view thereof; and,  
FIG. 8 is a top view thereof.

**1 Claim, 5 Drawing Sheets**



(56)

References Cited

U.S. PATENT DOCUMENTS

3,577,673 A \* 5/1971 Monestier ..... A63H 33/105  
446/490  
3,660,928 A \* 5/1972 Michel ..... A63H 33/084  
446/124  
3,678,613 A \* 7/1972 Geymeier ..... A63H 33/088  
446/122  
3,813,841 A \* 6/1974 Tsurumi ..... A63H 33/082  
273/146  
3,822,569 A \* 7/1974 Lautrup-Larsen ..... A63H 33/04  
446/85  
3,838,535 A \* 10/1974 Larws ..... A63H 33/084  
446/124  
3,919,785 A \* 11/1975 Generaux ..... A63H 33/084  
434/96  
D247,404 S \* 3/1978 Harris ..... D6/691  
D253,405 S \* 11/1979 Caulkett ..... D11/131  
4,232,473 A \* 11/1980 Jenkins ..... A63H 33/101  
285/921  
D267,068 S \* 11/1982 Caulkett ..... D6/708  
D271,941 S \* 12/1983 Calapp ..... D3/259  
D288,159 S \* 2/1987 Winzeler, III ..... D6/708  
4,643,427 A \* 2/1987 Wozniak ..... A63F 9/1288  
273/160  
D319,002 S \* 8/1991 Mirza ..... D8/372  
D335,983 S \* 6/1993 Gutgsell ..... D6/708  
D337,222 S \* 7/1993 Glendinning ..... D6/708  
6,000,343 A \* 12/1999 Laney ..... A47B 87/002  
108/12  
D452,784 S \* 1/2002 Lewis ..... D6/708

6,427,604 B1 \* 8/2002 Chrobak ..... A47B 9/00  
108/12  
D480,200 S \* 9/2003 Sprague ..... D99/29  
D542,405 S \* 5/2007 Esjunin ..... D23/422  
D558,329 S \* 12/2007 Esjunin ..... D23/422  
D616,674 S \* 6/2010 Sexton ..... D6/656.18  
D622,983 S \* 9/2010 Juskys ..... D6/691  
D655,950 S \* 3/2012 Kvello ..... D6/691.7  
D657,662 S \* 4/2012 Boucher-Gagne ..... D8/394  
D696,106 S \* 12/2013 Tachibana ..... D8/395  
D702,523 S \* 4/2014 Ingram ..... D8/71  
D720,161 S \* 12/2014 Udagawa ..... D6/656.13  
D721,141 S \* 1/2015 Fishman ..... D21/484  
D746,153 S \* 12/2015 Nishikawa ..... D9/708  
D756,211 S \* 5/2016 Downs ..... D8/395  
D759,476 S \* 6/2016 Iwahara ..... D8/395  
D775,278 S \* 12/2016 Lau ..... D19/65  
D805,206 S \* 12/2017 Hill ..... D24/184

OTHER PUBLICATIONS

MillKnot, KevinCaron.com, created 2012, [online], [site visited Mar. 9, 2018]. <URL: [http://www.kevincaron.com/art\\_detail/millknot.html](http://www.kevincaron.com/art_detail/millknot.html)> (Year: 2012).\*

Bar Stool 36" tall, BarstoolsByAlex, Etsy.com, [online], [site visited Mar. 9, 2018]. <URL: <https://www.etsy.com/listing/244675501/bar-stool-36-tall-modern-bar-stool-cool>> (Year: 2018).\*

Free Woodworking Plans to Build a 2x2 Cantilevered Table—Step 2 image, The DesignConfidential.com, By Rayan Turner, Aug. 8, 2010, [online], [site visited Mar. 9, 2018]. <URL: <https://www.thedesignconfidential.com/2010/08/build-it-plans-c-table/>> (Year: 2010).\*

\* cited by examiner

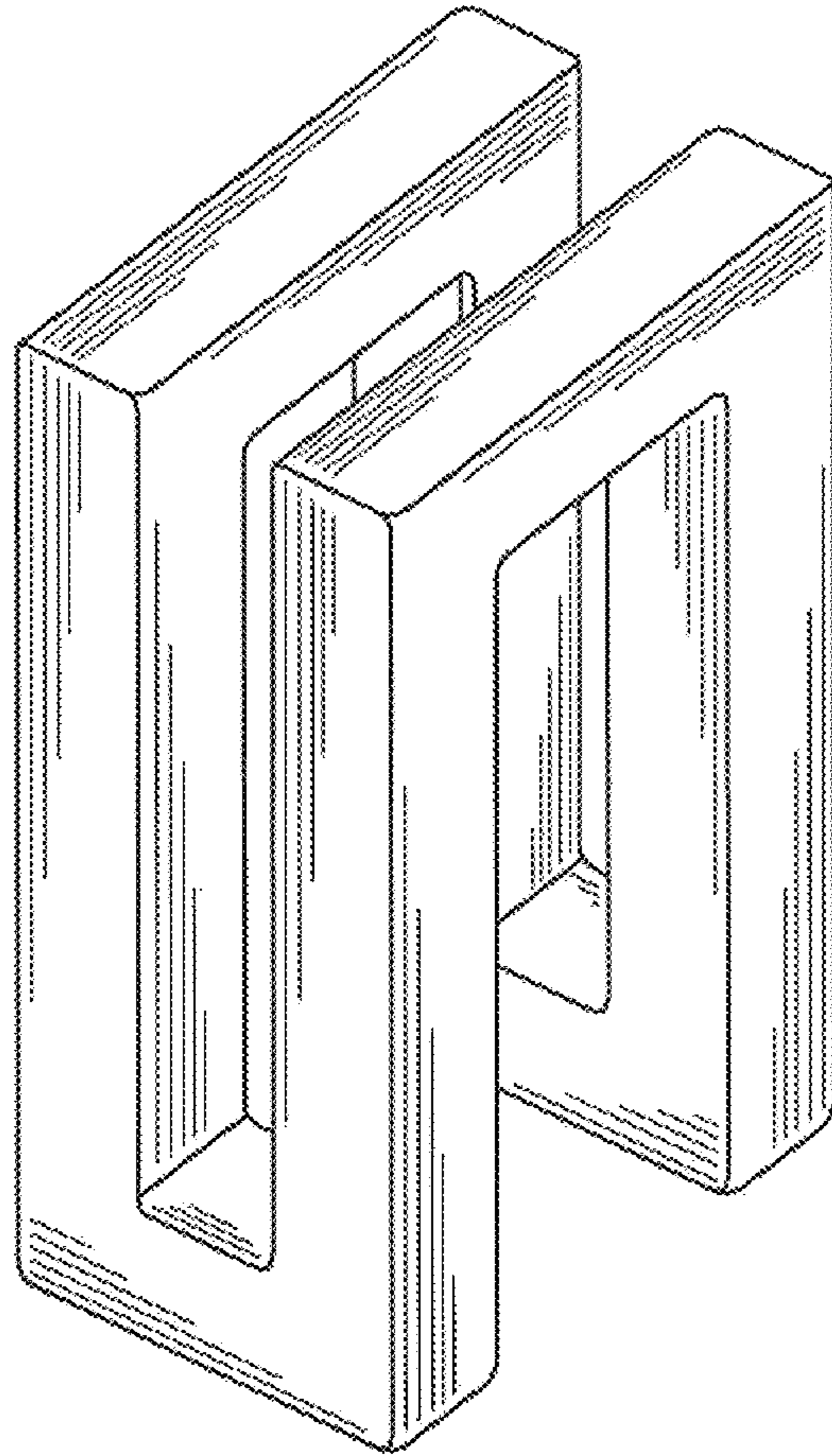


FIG. 1



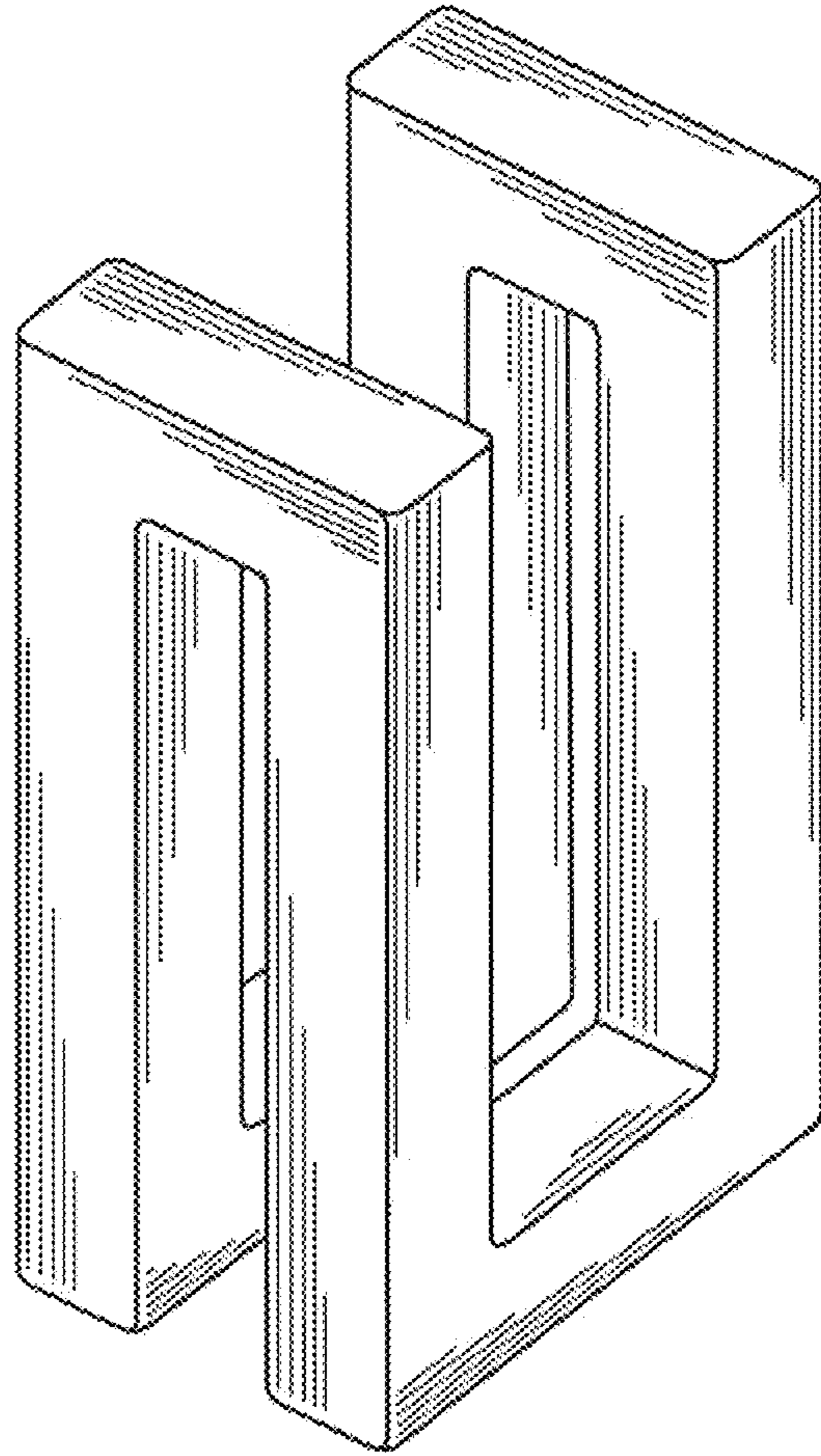


FIG. 2

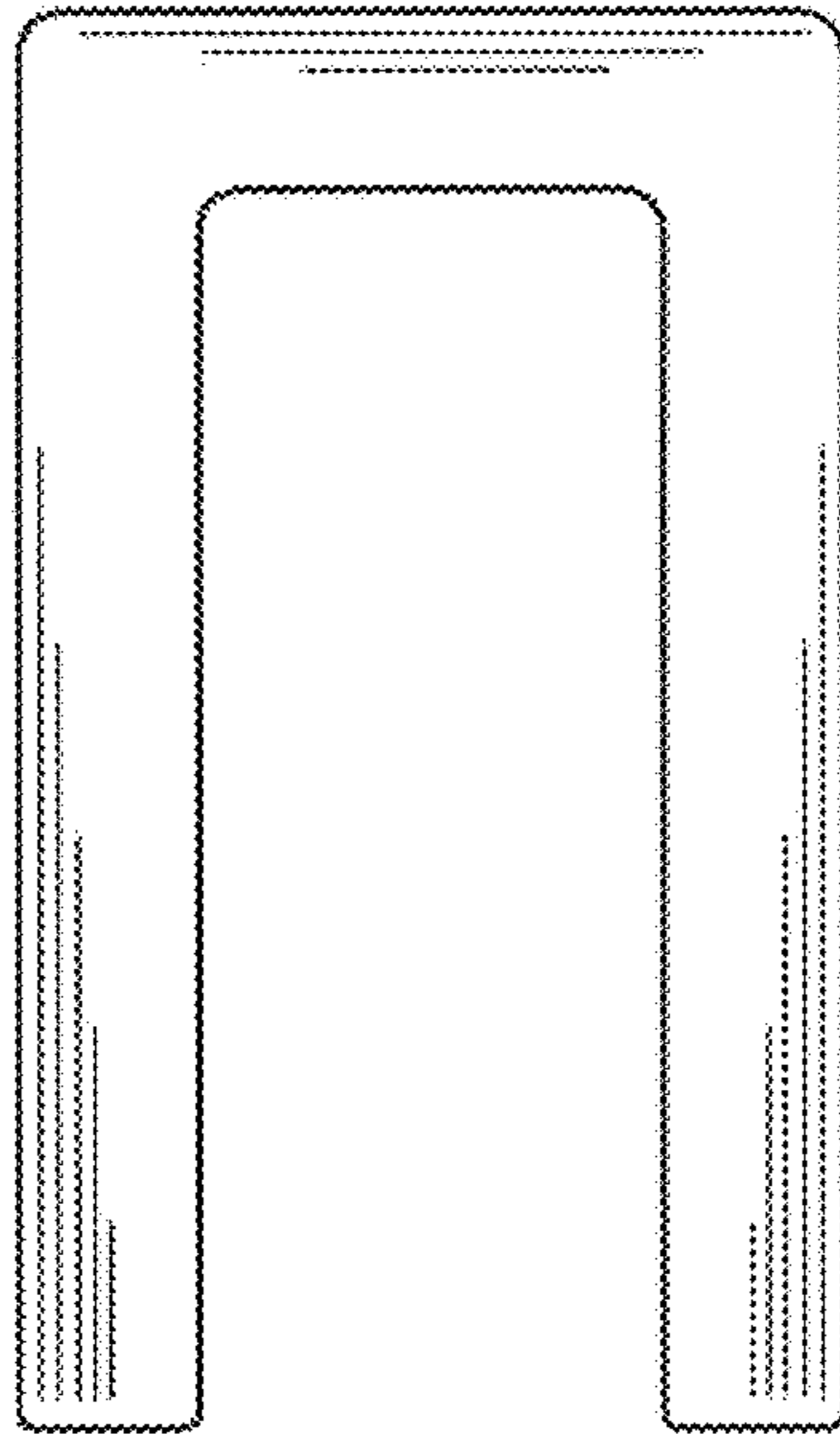


FIG. 3

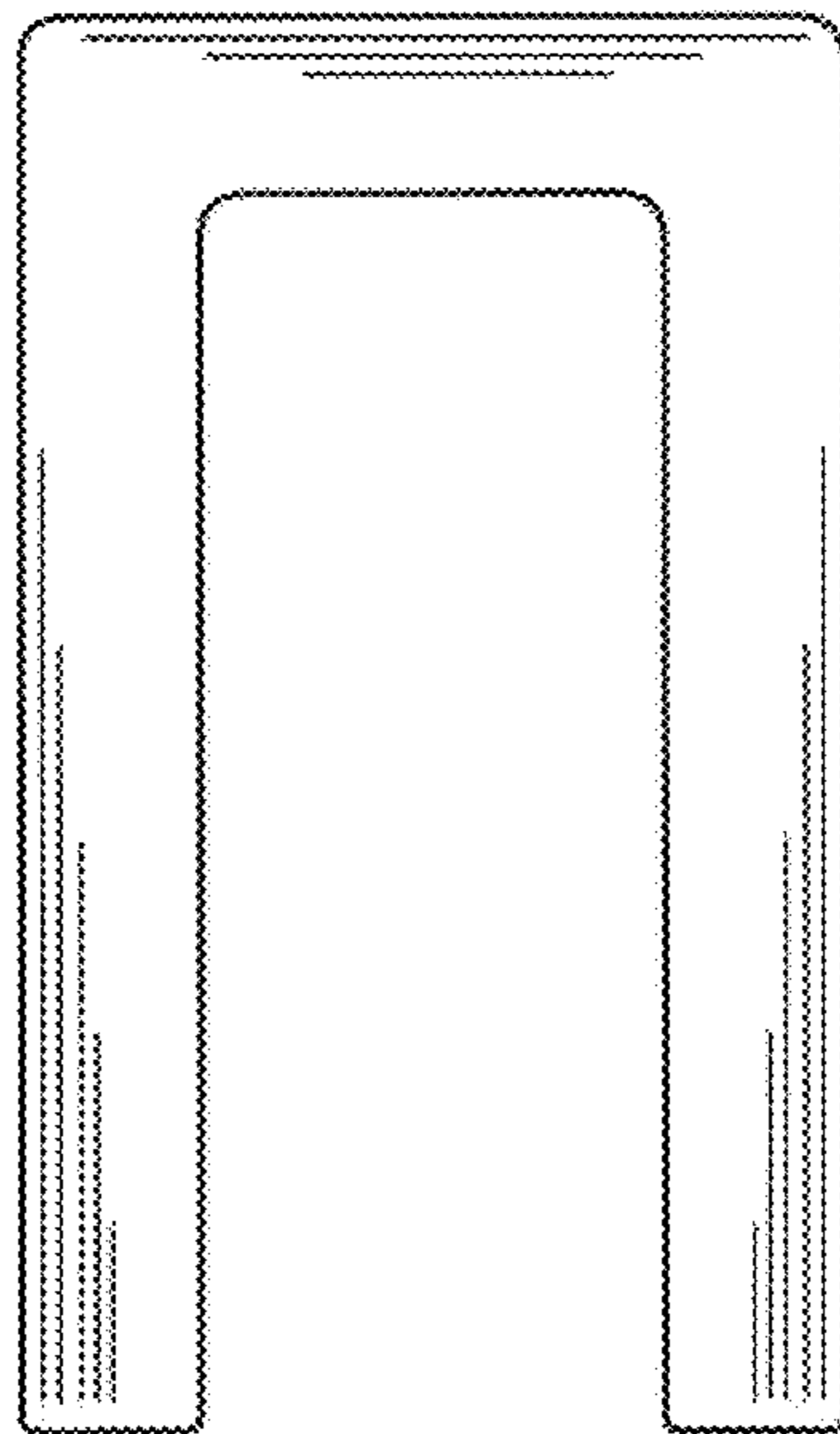


FIG. 4

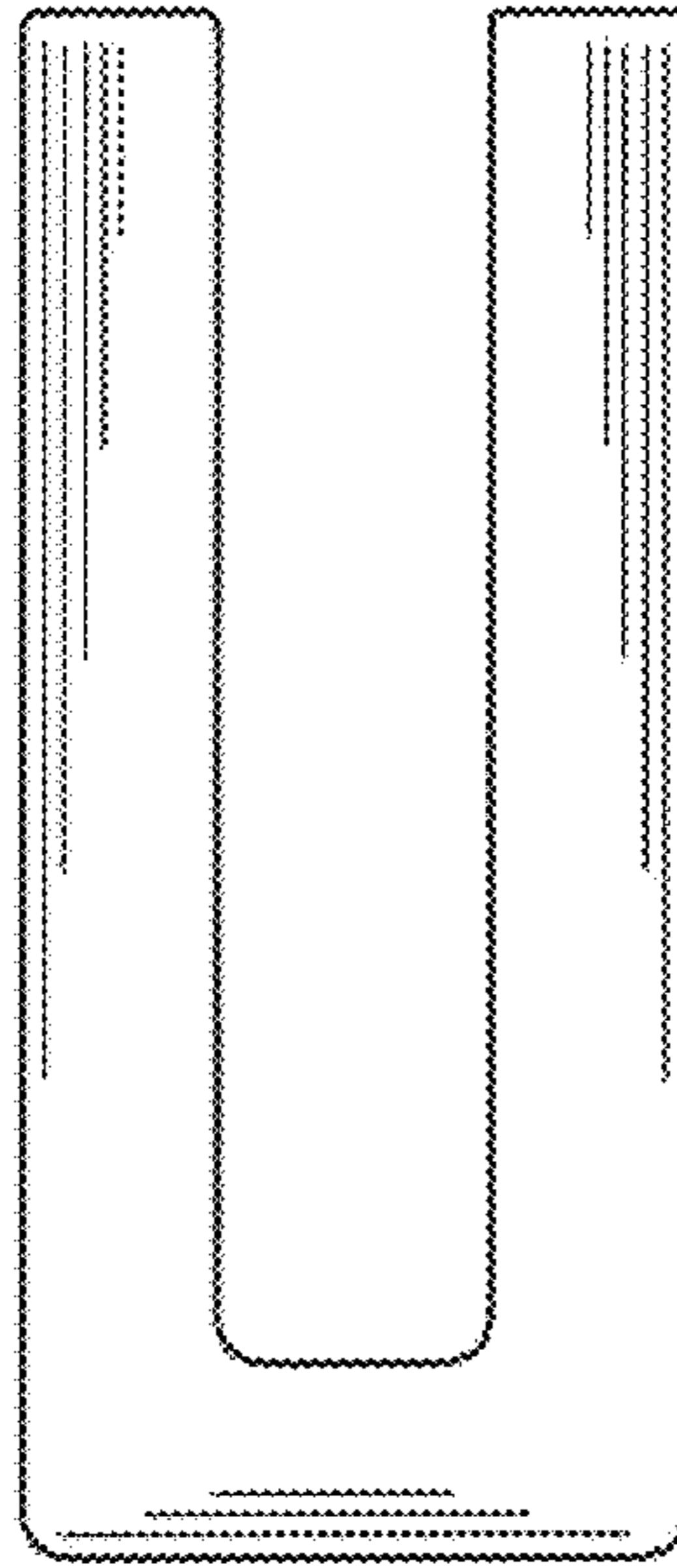


FIG. 5

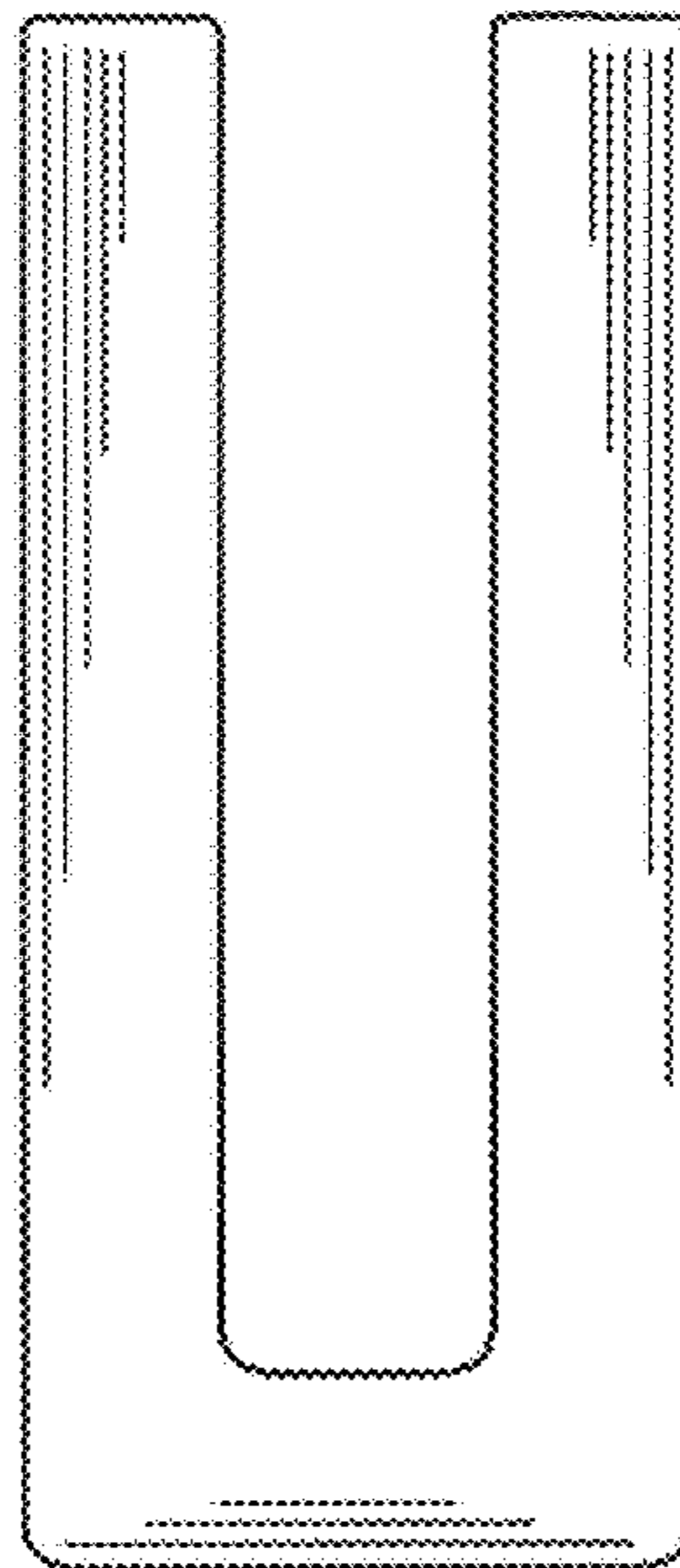


FIG. 6

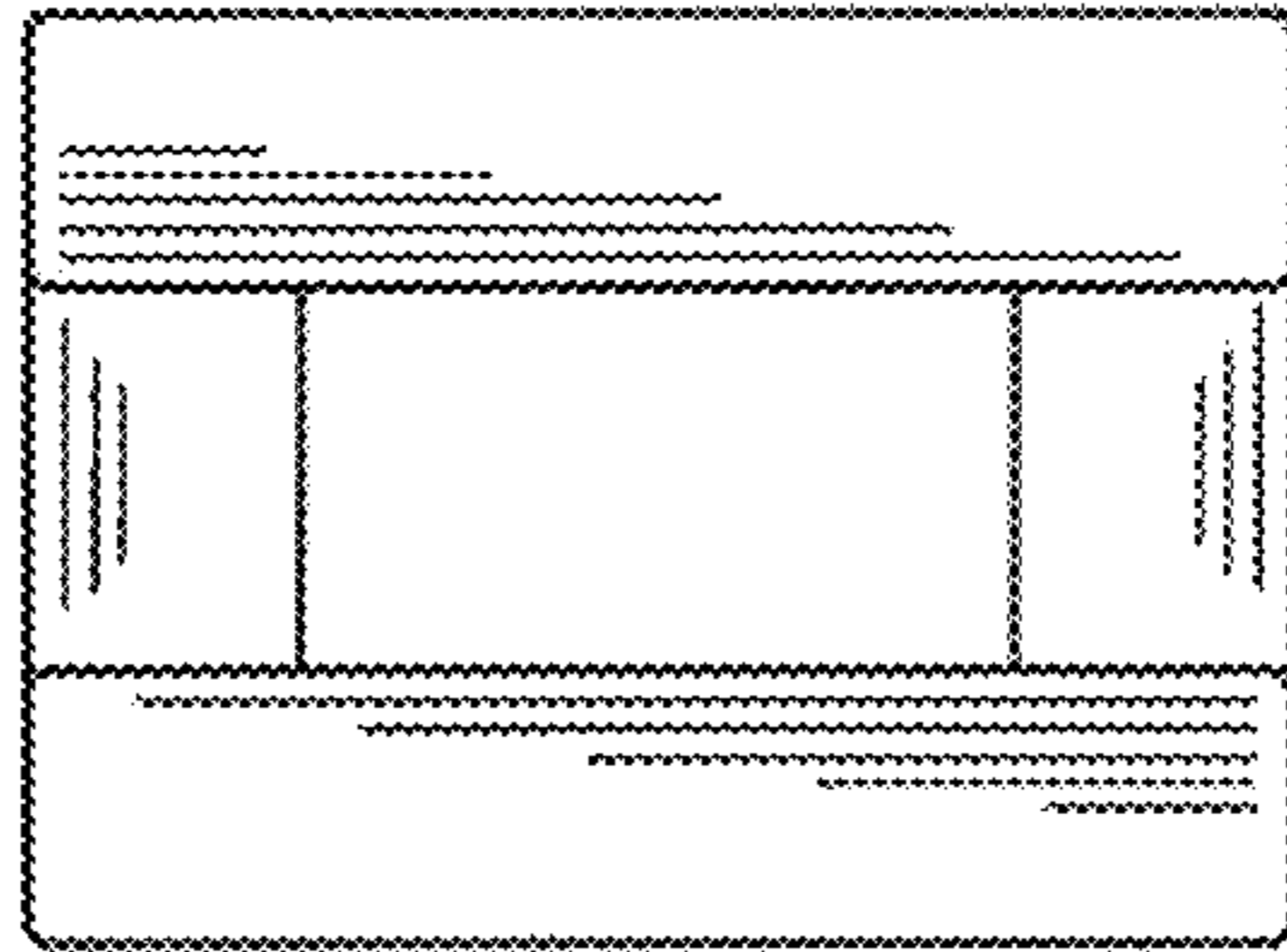


FIG. 7

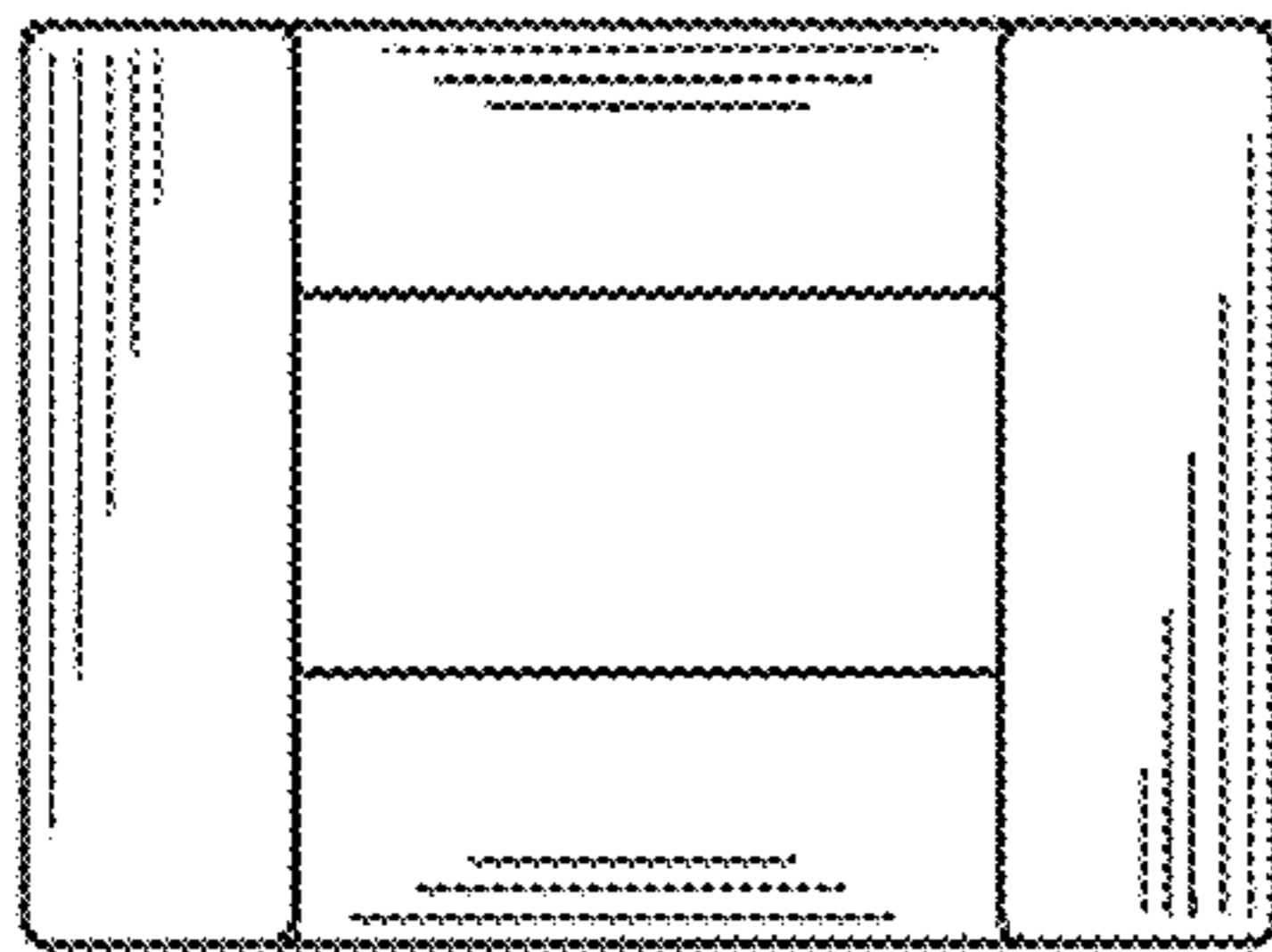


FIG. 8