



US00D826770S

(12) **United States Design Patent** (10) **Patent No.:** **US D826,770 S**
Battisti et al. (45) **Date of Patent:** **** Aug. 28, 2018**

(54) **FLOWERPOT COVER**
(71) Applicants: **Enrico Ciarrocchi**, San Benedetto del Tronto (IT); **Enrico Francesco Battisti**, San Benedetto del Tronto (IT)
(72) Inventors: **Enrico Francesco Battisti**, San Benedetto del Tronto (IT); **Enrico Ciarrocchi**, San Benedetto del Tronto (IT)
(**) Term: **15 Years**
(21) Appl. No.: **35/503,088**
(22) Filed: **Nov. 29, 2016**
(80) **Hague Agreement Data**
Int. Filing Date: **Nov. 29, 2016**
Int. Reg. No.: **DM/094027**
Int. Reg. Date: **Nov. 29, 2016**
Int. Reg. Pub. Date: **Jun. 2, 2017**

3,797,796 A * 3/1974 Lansdowne A47G 23/03
248/346.11
D241,875 S * 10/1976 Insalaco D11/164
D255,409 S * 6/1980 Volkmann D11/152
D279,175 S * 6/1985 Eklof D11/143
D290,674 S * 7/1987 Valov D27/134
5,375,370 A * 12/1994 Zimmerman A47G 7/07
248/188
D390,499 S * 2/1998 Durham D11/143
D396,019 S * 7/1998 Moss D11/148
D397,062 S * 8/1998 Hollington D11/164
D408,227 S * 4/1999 Swann, Jr. D7/624.1
D435,481 S * 12/2000 Wagner D11/152
D445,358 S * 7/2001 Simmons D11/152
D446,746 S * 8/2001 Simmons D11/143
D488,741 S * 4/2004 Moya D11/143
D653,990 S * 2/2012 Cherry D11/164
D661,223 S * 6/2012 Jaworski D11/143
D677,994 S * 3/2013 Williams D7/624.1
D743,299 S * 11/2015 Gillingham D11/152
D743,838 S * 11/2015 Gillingham D11/152
D786,129 S * 5/2017 Chan D11/164
D804,262 S * 12/2017 Reed D8/1

* cited by examiner

Primary Examiner — Melanie Pellegrini

(51) **LOC (11) Cl.** **11-02**
(52) **U.S. Cl.**
USPC **D11/164**
(58) **Field of Classification Search**
USPC D11/143–156, 164; D6/405, 556, 574;
D7/388, 389, 624.1, 624.2, 624.3, 625,
D7/709, 601, 602, 605, 600
CPC ... H01L 21/6734; A47F 7/0064; A47G 7/041;
A47G 7/085; B65D 85/52; A01G 9/04;
A01G 9/12; A01G 17/06; A47H 27/00
See application file for complete search history.

(57) **CLAIM**

The ornamental design for flowerpot cover, as shown and described.

DESCRIPTION

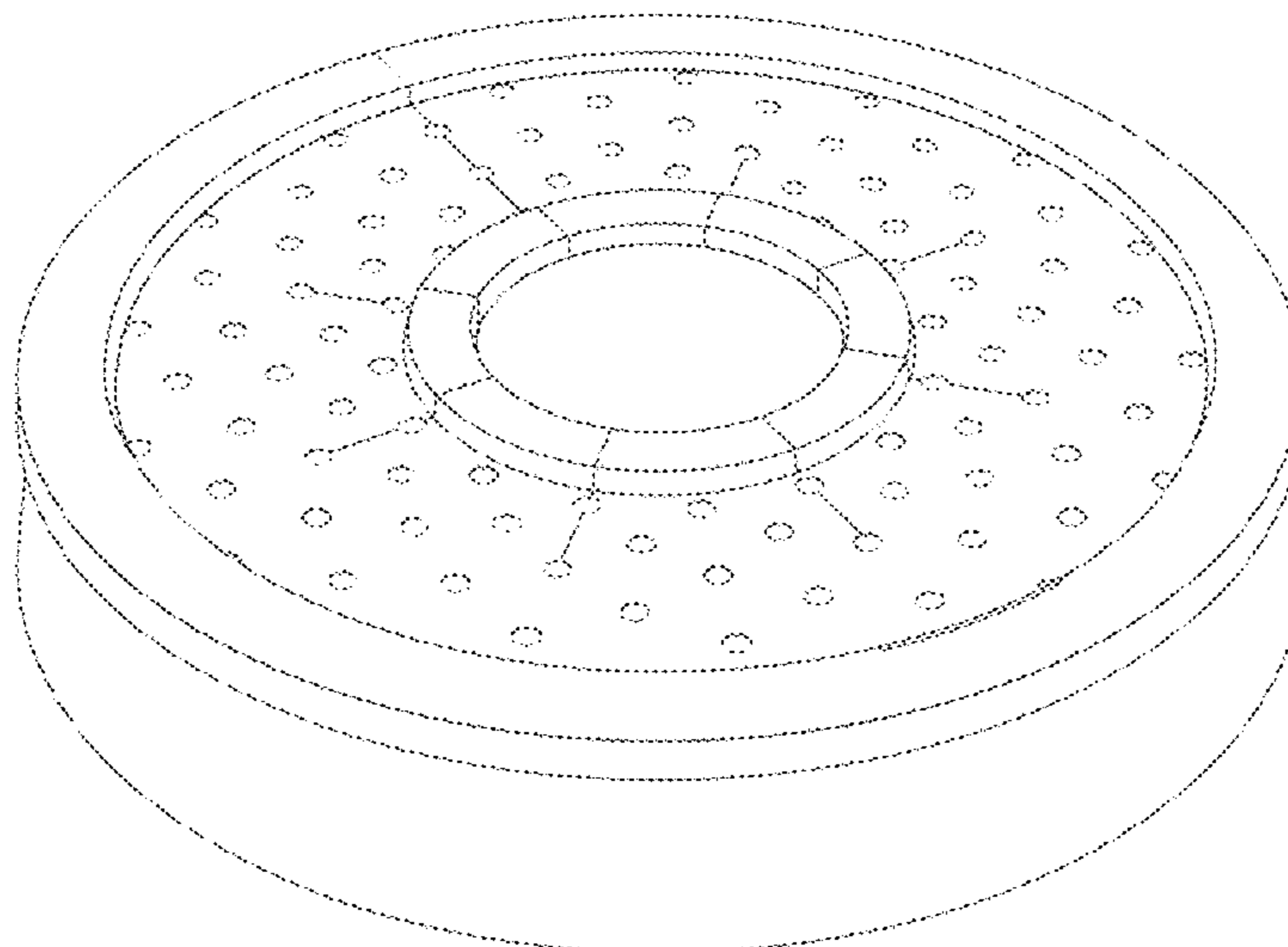
- 1. Flowerpot cover
- 1.1 : Perspective
- 1.2 : Perspective
- 1.3 : Top
- 1.4 : Bottom
- 1.5 : Front
- 1.6 : Back

Ornamental-functional design representing potcovers for trees, shrubs, plants and flowers.

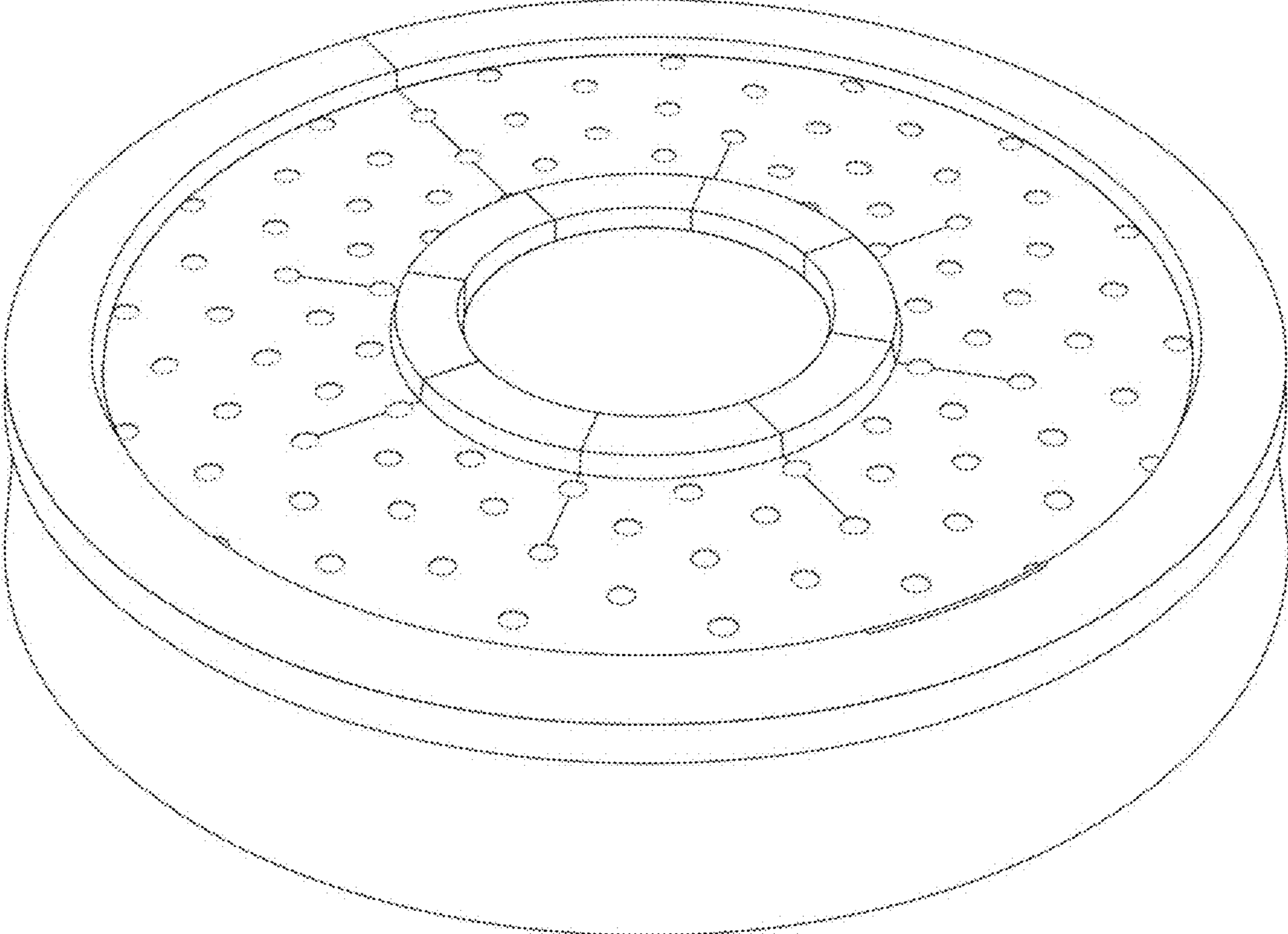
1 Claim, 6 Drawing Sheets

(56) **References Cited**
U.S. PATENT DOCUMENTS

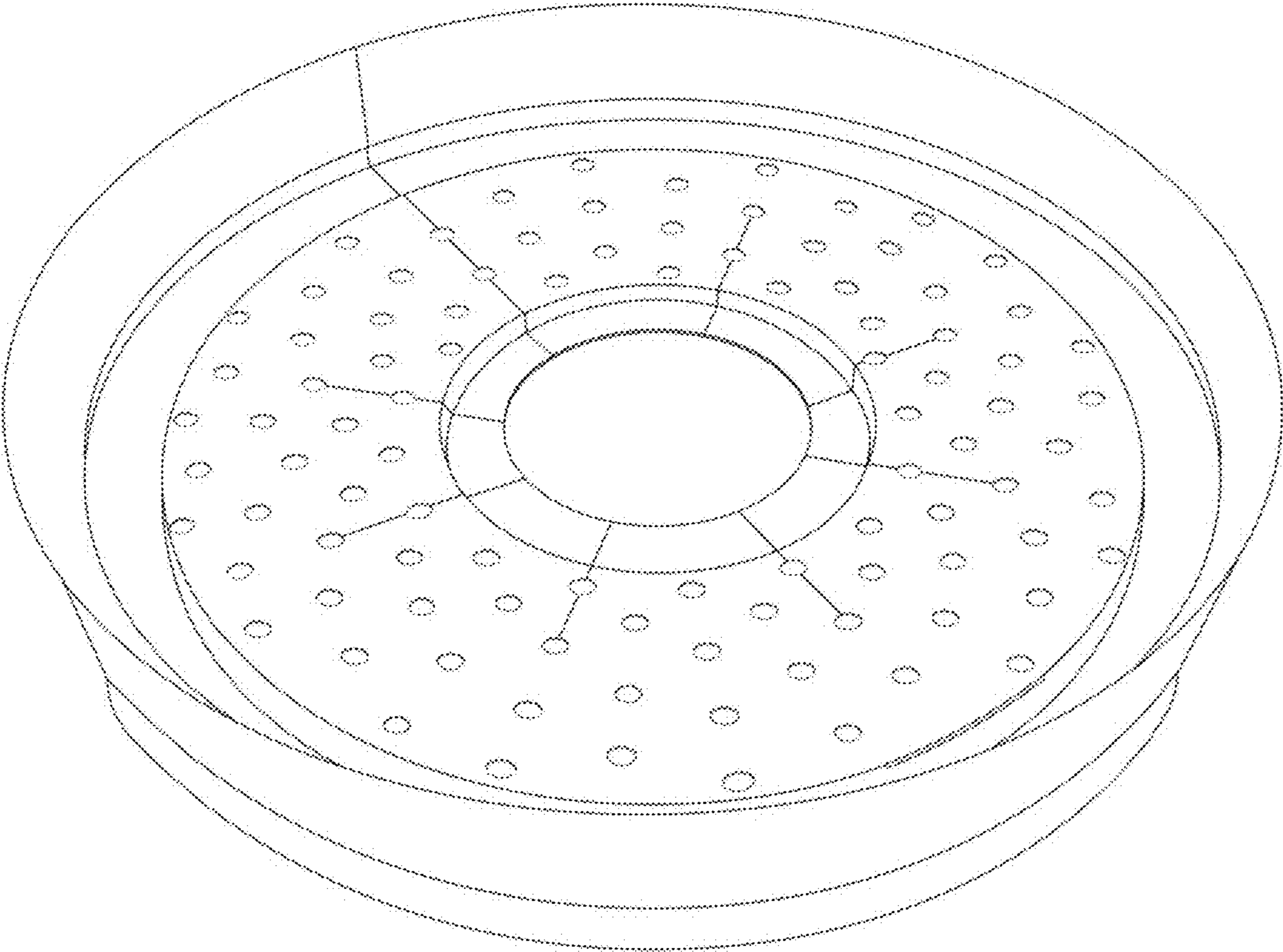
D190,506 S * 6/1961 Saks et al. 47/41.11
D190,821 S * 7/1961 Saxe D11/147
D194,507 S * 2/1963 Saxe D11/147



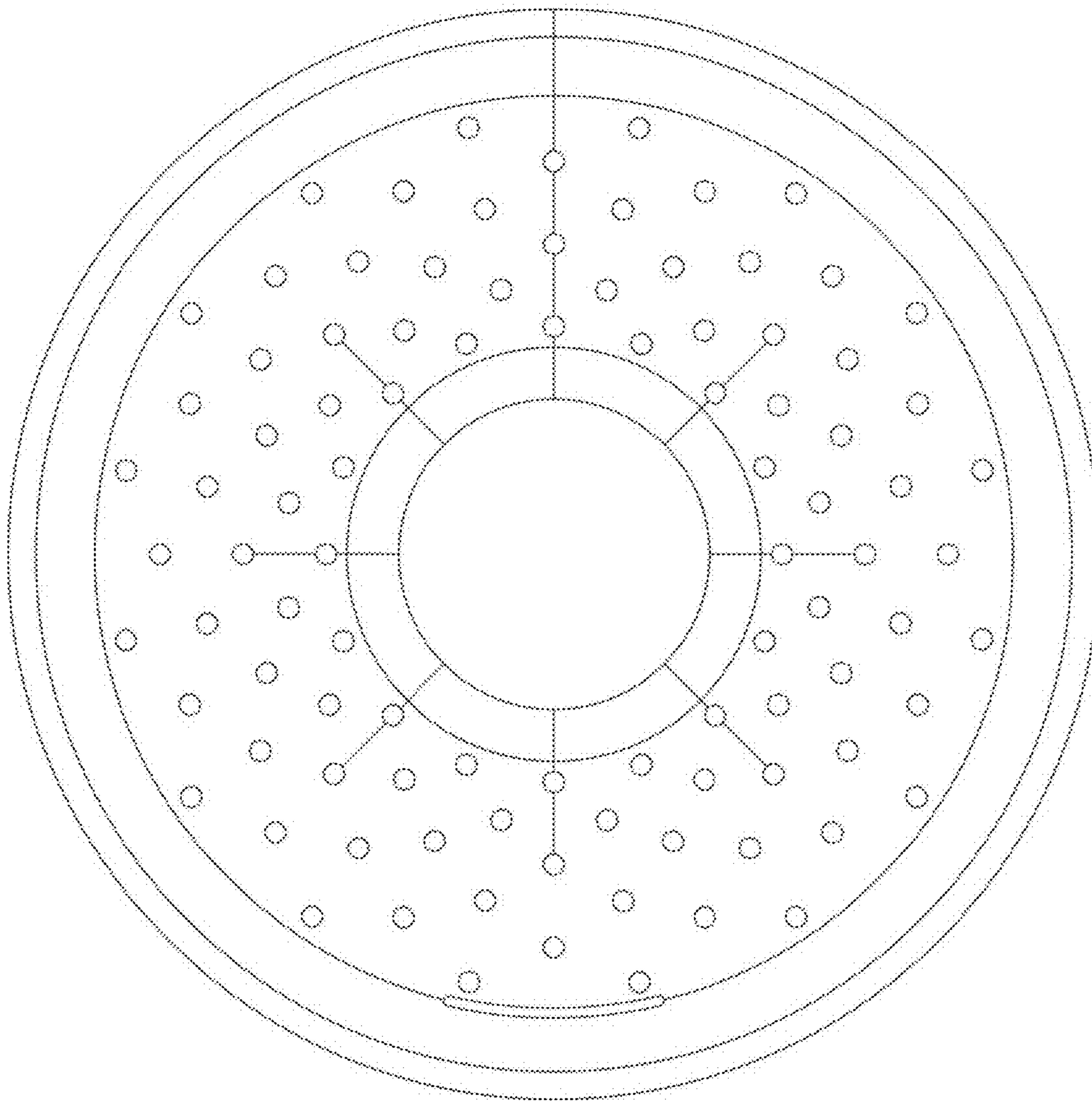
1.1



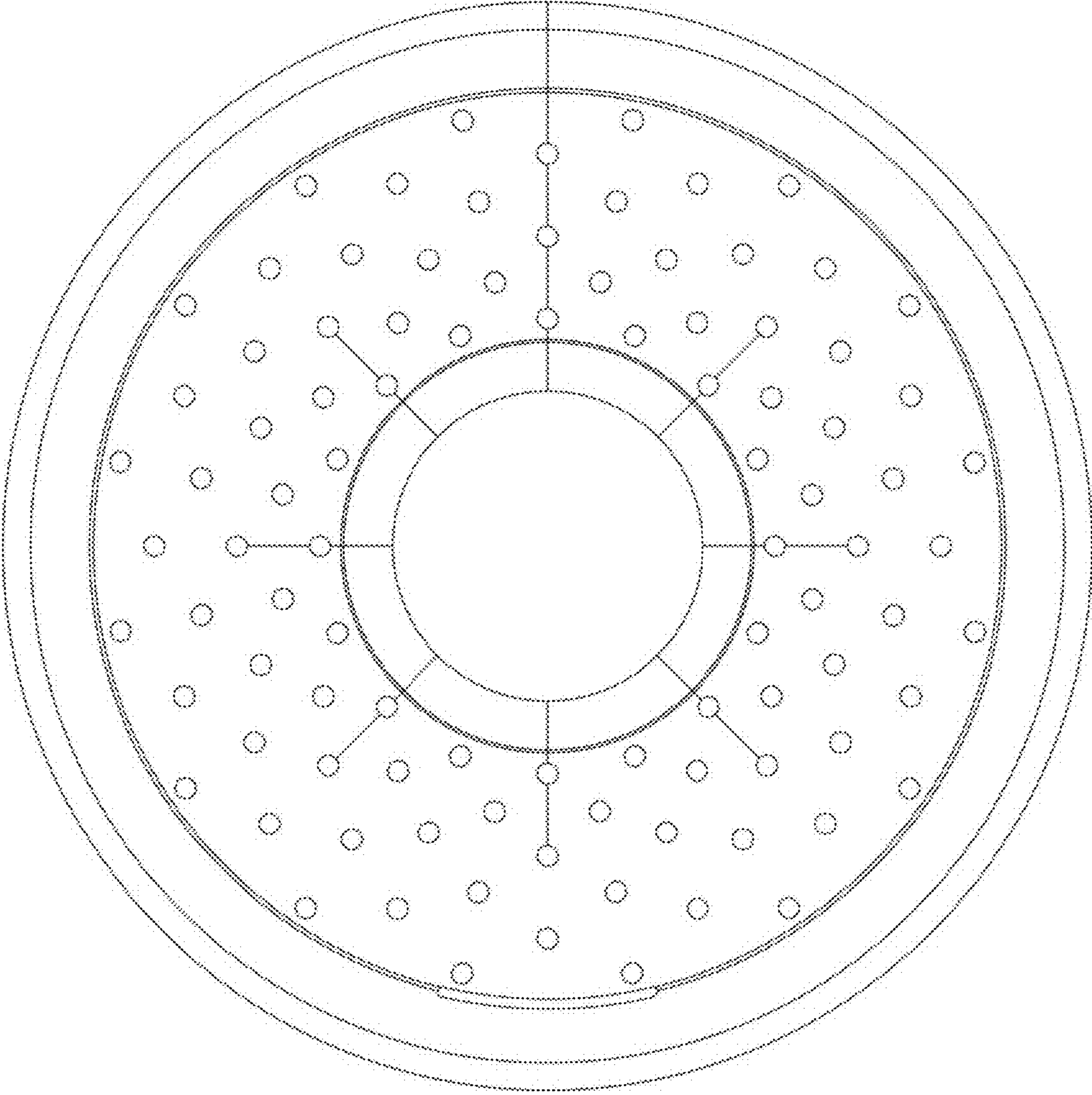
1.2



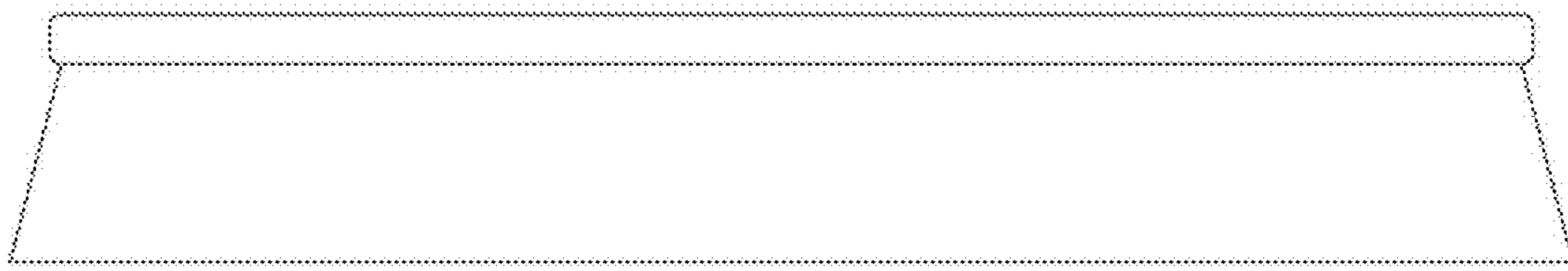
1.3



1.4



1.5



1.6

