



US00D826765S

(12) **United States Design Patent**  
**Wachtmeister**

(10) **Patent No.:** **US D826,765 S**

(45) **Date of Patent:** **\*\* Aug. 28, 2018**

(54) **RING**

(71) Applicant: **WACHT & TROY AB**, Malmö (SE)

(72) Inventor: **Marie-Ann Wachtmeister**, Staffanstorp (SE)

(\*\*) Term: **15 Years**

(21) Appl. No.: **35/500,945**

(22) Filed: **Apr. 27, 2016**

(80) **Hague Agreement Data**

Int. Filing Date: **Apr. 27, 2016**

Int. Reg. No.: **DM/090398**

Int. Reg. Date: **Apr. 27, 2016**

Int. Reg. Pub. Date: **May 13, 2016**

(51) **LOC (11) Cl.** ..... **11-01**

(52) **U.S. Cl.**  
USPC ..... **D11/35**

(58) **Field of Classification Search**

USPC ..... D11/2, 3, 4, 7, 26-39  
CPC ..... A44C 5/0007; A44C 5/0015; A44C 5/003;  
A44C 9/00; A44C 9/0015; A44C 9/0023;  
A44C 9/003; A44C 9/0038; A44C  
9/0046; A44C 9/0053; A44C 9/0061;  
A44C 9/0069; A44C 9/0076; A44C  
17/02; A44C 17/04

See application file for complete search history.

(56) **References Cited**

**U.S. PATENT DOCUMENTS**

1,172,809 A \* 2/1916 Leno ..... G09D 3/10  
40/117  
1,177,893 A \* 4/1916 Paye ..... A44C 17/02  
63/20  
1,486,178 A \* 3/1924 Antelmi ..... A45C 11/22  
224/221  
1,667,680 A \* 4/1928 Sammartino ..... A44C 9/00  
29/896.412

D76,857 S \* 11/1928 Dubassoff ..... D10/32  
2,242,544 A \* 5/1941 Porter ..... A44C 9/02  
63/11  
D135,259 S \* 3/1943 Pereira ..... D11/27  
2,356,722 A \* 8/1944 Harris ..... B43M 11/06  
118/201  
2,584,087 A \* 1/1952 Barbieri ..... A44C 9/0053  
33/271  
D176,268 S \* 12/1955 Katz ..... D11/34  
3,307,375 A \* 3/1967 Estrin ..... A44C 9/0015  
63/15  
3,619,913 A \* 11/1971 Albrecht ..... A44C 9/0038  
434/386  
3,688,520 A \* 9/1972 Strassel ..... A44C 9/0076  
63/15  
D269,956 S \* 8/1983 Sears ..... D11/30  
(Continued)

*Primary Examiner* — Elizabeth A. Albert

(57) **CLAIM**

The ornamental design for a ring, as shown and described.

**DESCRIPTION**

**1.1** is a perspective view of a ring embodying the new design;

**1.2** is a top view of the ring shown in **1.1**;

**1.3** is a bottom view of the ring shown in **1.1**;

**1.4** is a right side view of the ring shown in **1.1**;

**1.5** is a left side view of the ring shown in **1.1**;

**1.6** is a front view of the ring shown in **1.1**;

**1.7** is a back view of the ring shown in **1.1**;

**2.1** is another perspective view of the ring shown in **1.1**;

**2.2** is a top view of the ring shown in **2.1**;

**2.3** is a bottom view of the ring shown in **2.1**;

**2.4** is a right side view of the ring shown in **2.1**;

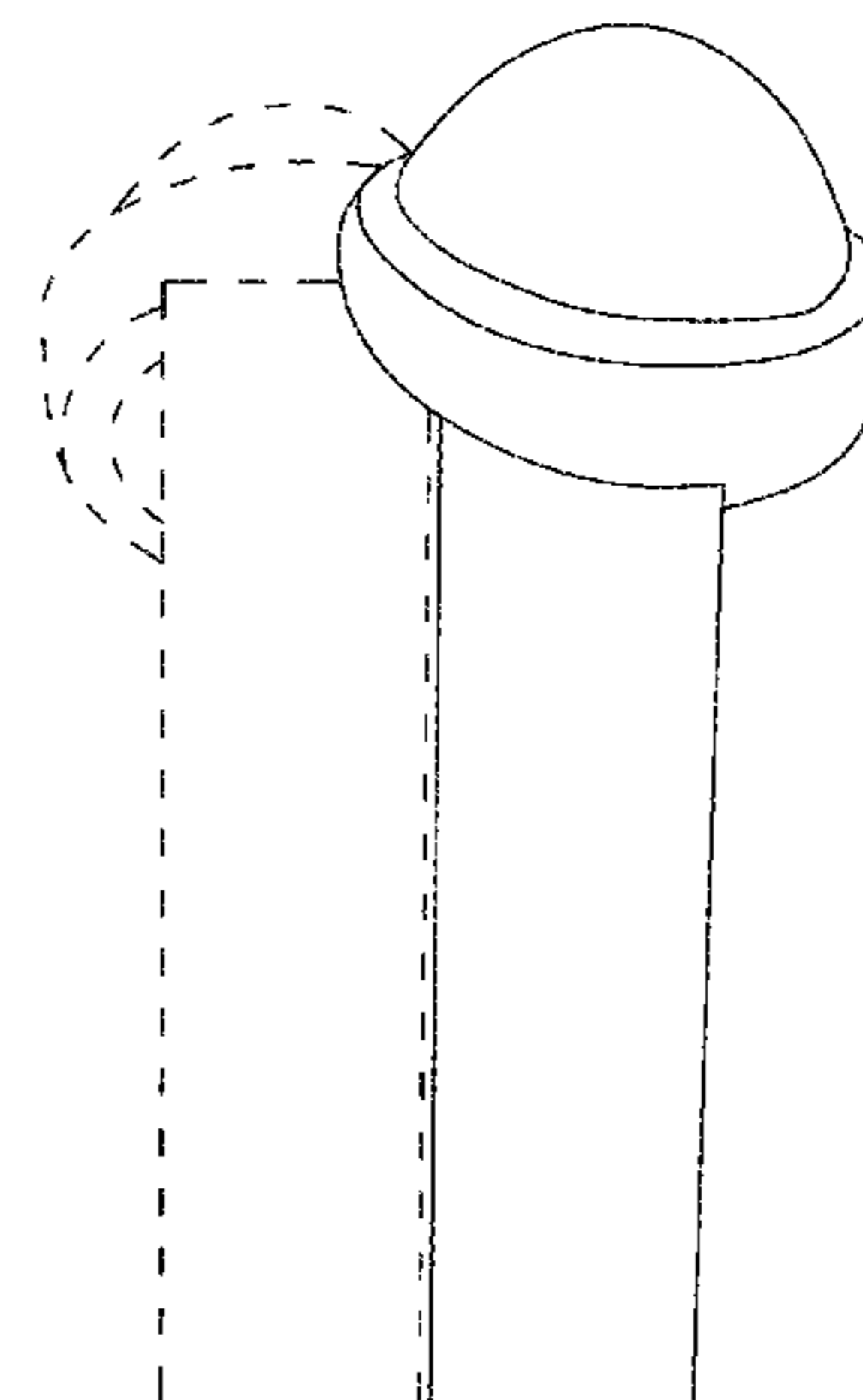
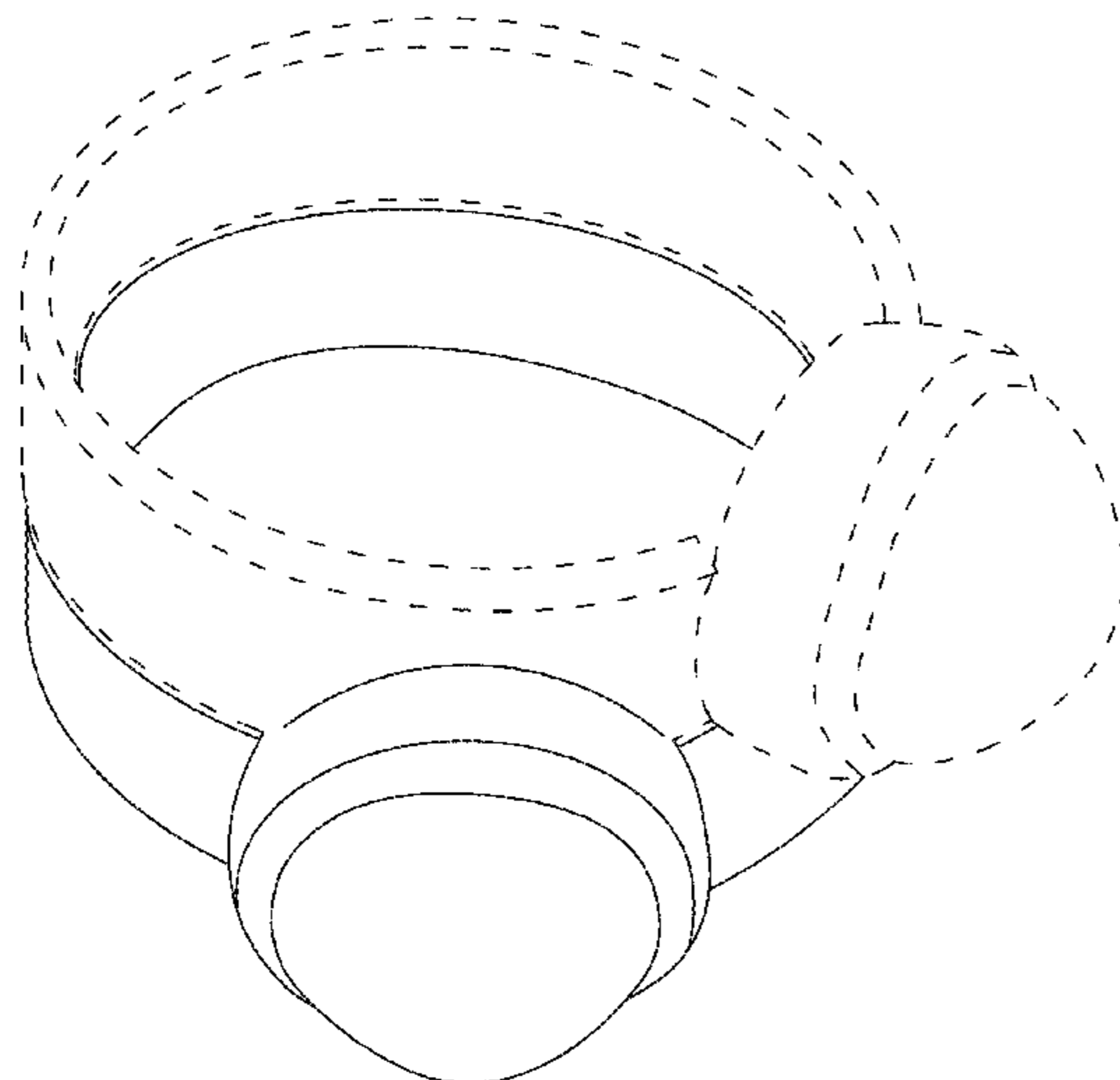
**2.5** is a left side view of the ring shown in **2.1**;

**2.6** is a front view of the ring shown in **2.1**; and

**2.7** is a back view of the ring shown in **2.1**.

The broken lines in **2.1** to **2.7**, showing a second ring, are included to show portions that form no part of the claimed design.

**1 Claim, 14 Drawing Sheets**



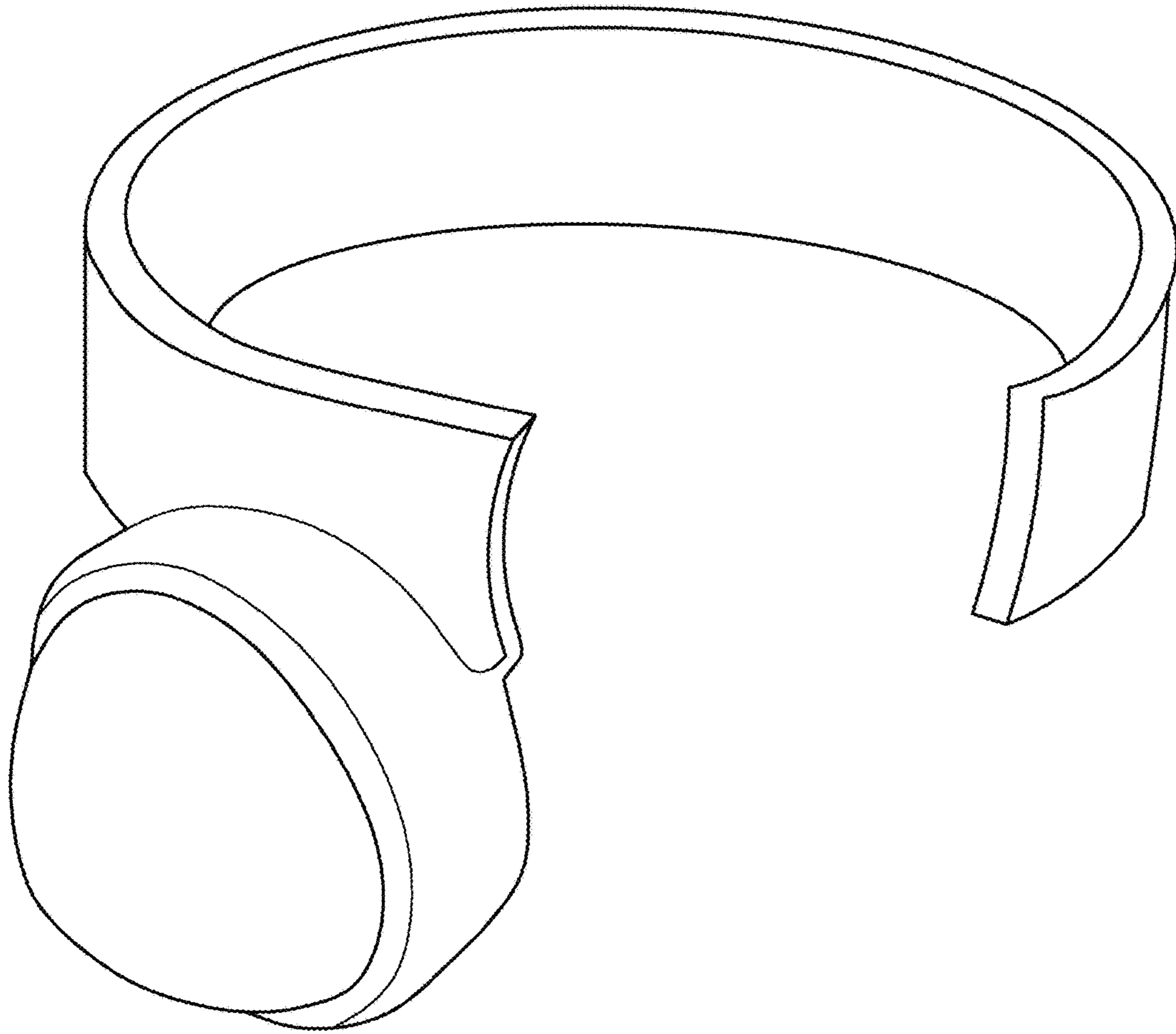
(56)

**References Cited**

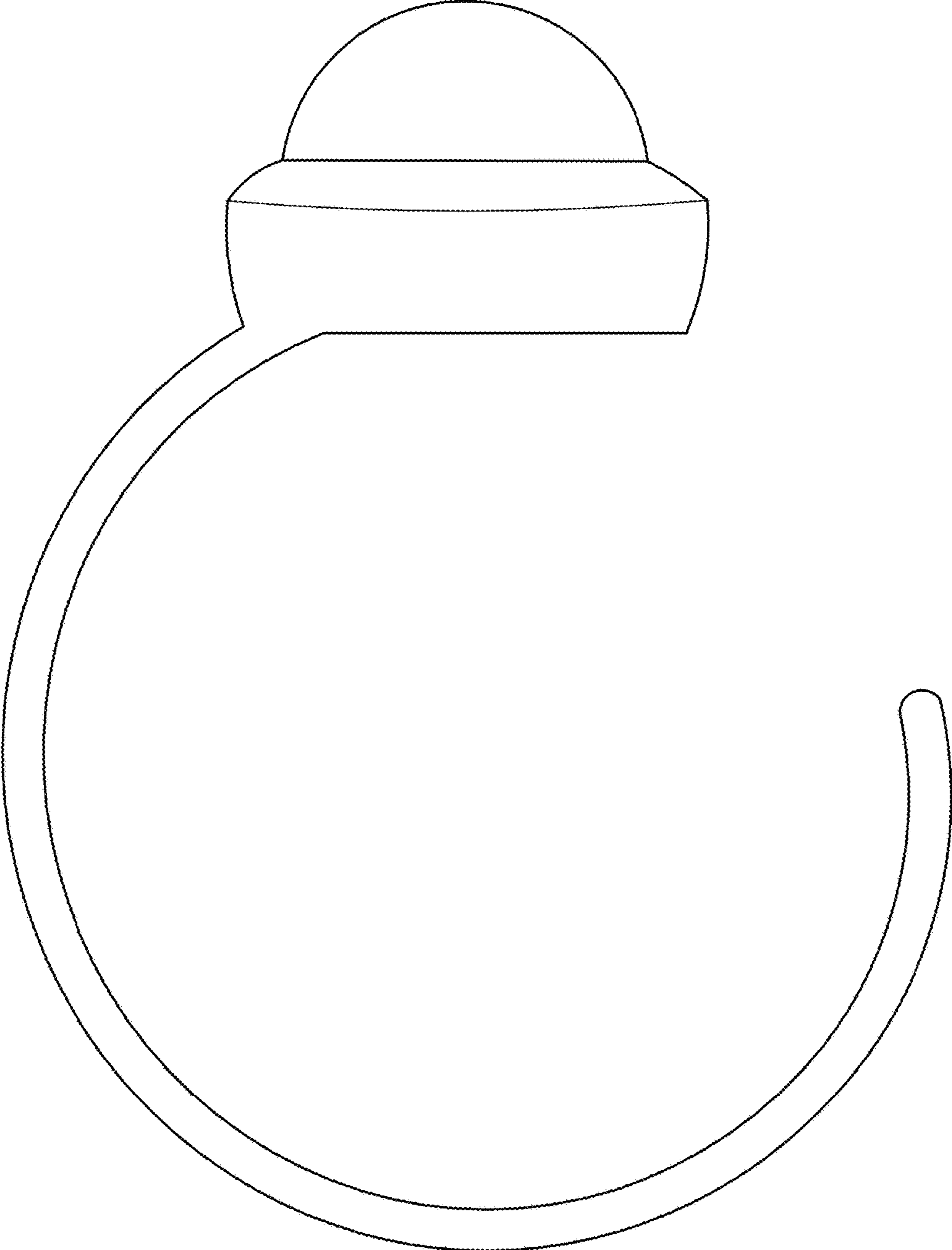
## U.S. PATENT DOCUMENTS

4,745,779 A \* 5/1988 Wideman ..... A44C 9/00  
63/15  
D319,035 S \* 8/1991 Kruse ..... D11/202  
D334,001 S \* 3/1993 Muse ..... D11/110  
5,404,731 A \* 4/1995 Traub ..... A44C 9/00  
446/153  
6,050,695 A \* 4/2000 Fromm ..... A44C 15/0015  
362/104  
6,101,843 A \* 8/2000 Nagano ..... A44C 9/003  
63/15.3  
6,167,726 B1 \* 1/2001 Kremer ..... A44C 9/00  
63/15  
D439,192 S \* 3/2001 Ruscitti ..... D11/26  
D444,408 S \* 7/2001 Goulet Mauboussin ..... D11/26  
D451,422 S \* 12/2001 Wenrich ..... D11/26  
D499,659 S \* 12/2004 Pachachi ..... D11/26  
D528,456 S \* 9/2006 Thompson ..... D11/27  
7,316,128 B1 \* 1/2008 Dargusch ..... A44C 5/003  
63/1.14  
D712,774 S \* 9/2014 Cheah ..... D11/26  
9,078,495 B2 \* 7/2015 Rife ..... A44C 15/0015  
2004/0020241 A1 \* 2/2004 Boiadjian ..... A44C 9/0053  
63/15  
2005/0034481 A1 \* 2/2005 Saltz ..... A44C 5/0023  
63/3  
2008/0245104 A1 \* 10/2008 Steele ..... A44C 5/003  
63/1.12  
2014/0260424 A1 \* 9/2014 Warren ..... A44C 17/0233  
63/1.13  
2015/0235120 A1 \* 8/2015 Warren ..... G06K 19/07762  
235/439  
2017/0000224 A1 \* 1/2017 Murphy ..... A44C 9/00  
2017/0068437 A1 \* 3/2017 Warren ..... G06F 3/04883

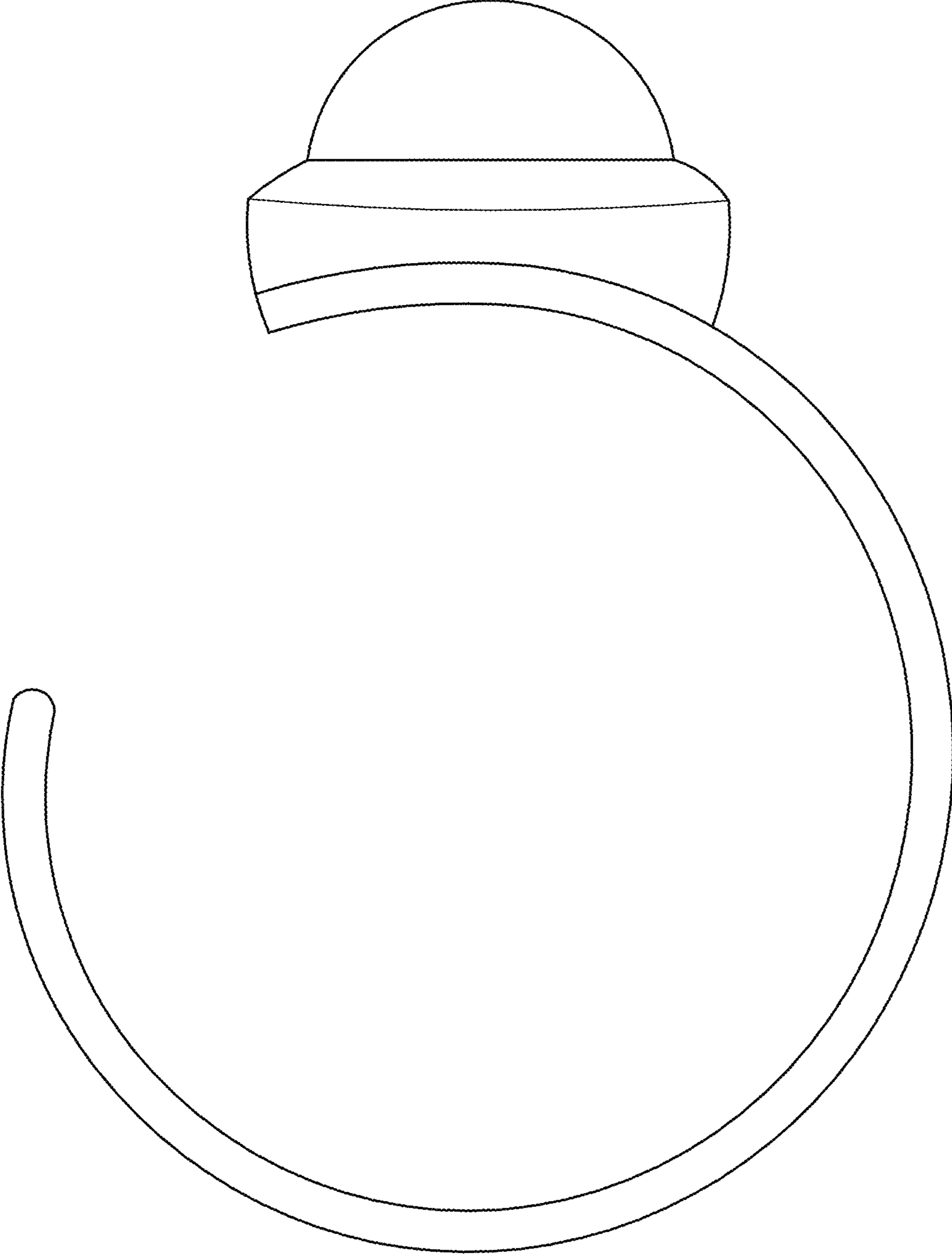
\* cited by examiner



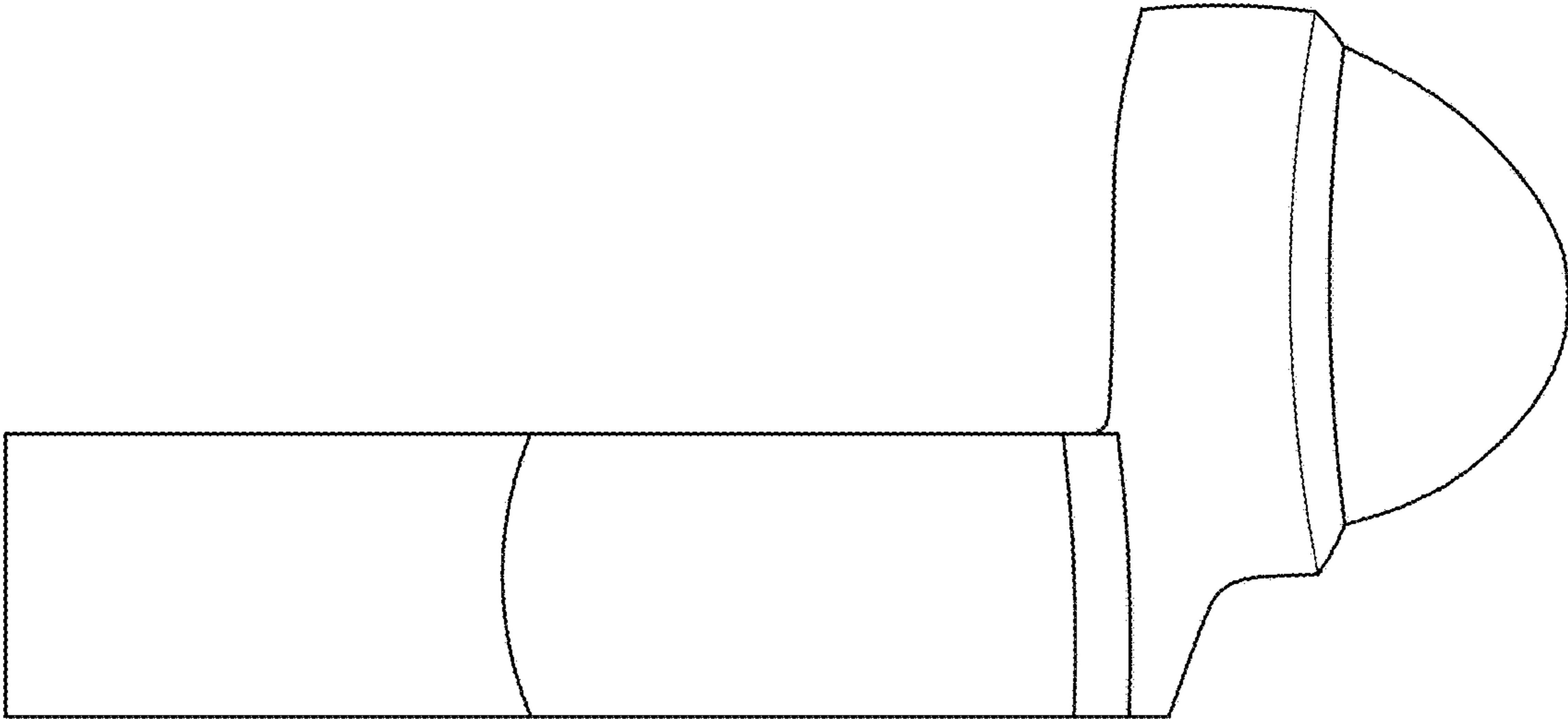
1.1



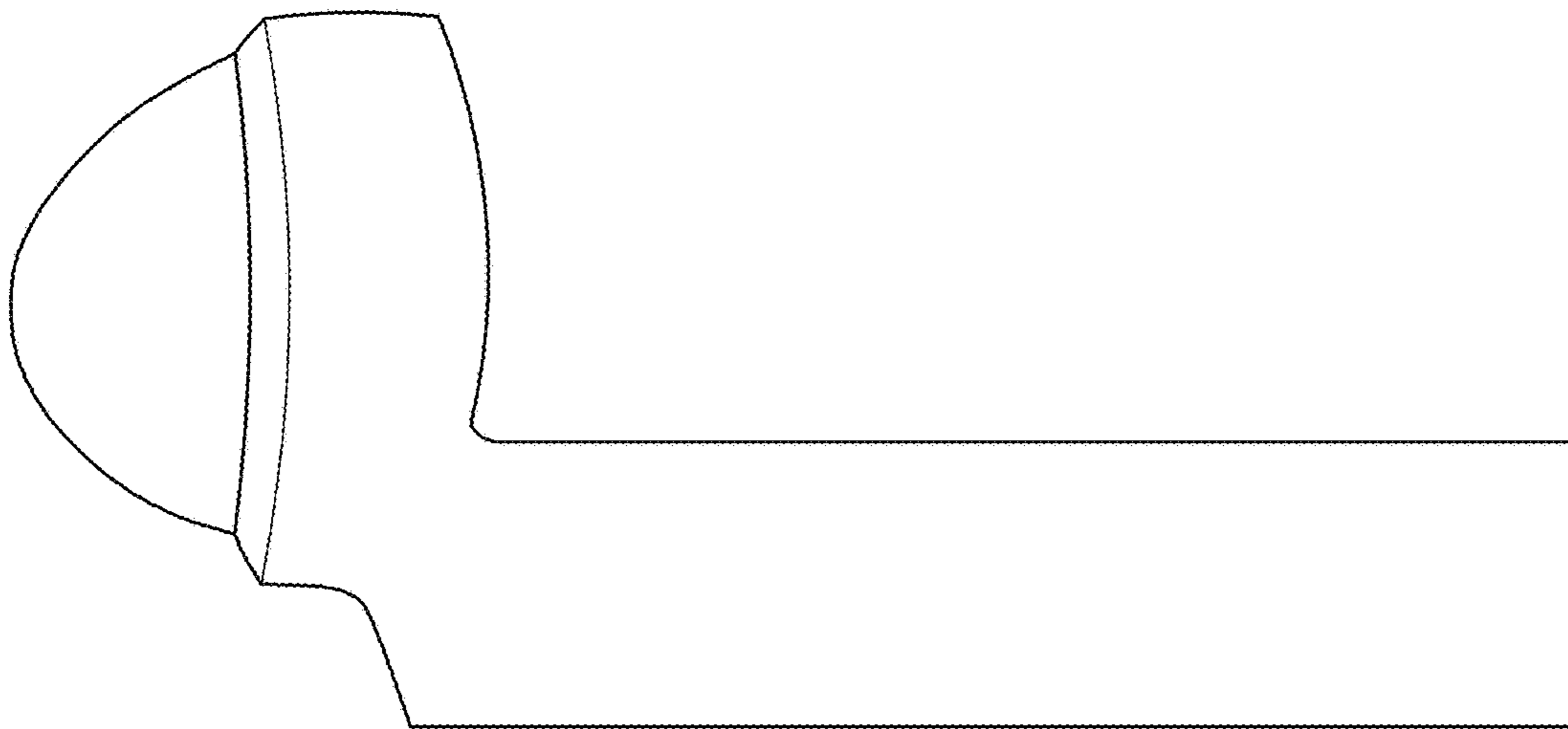
1.2



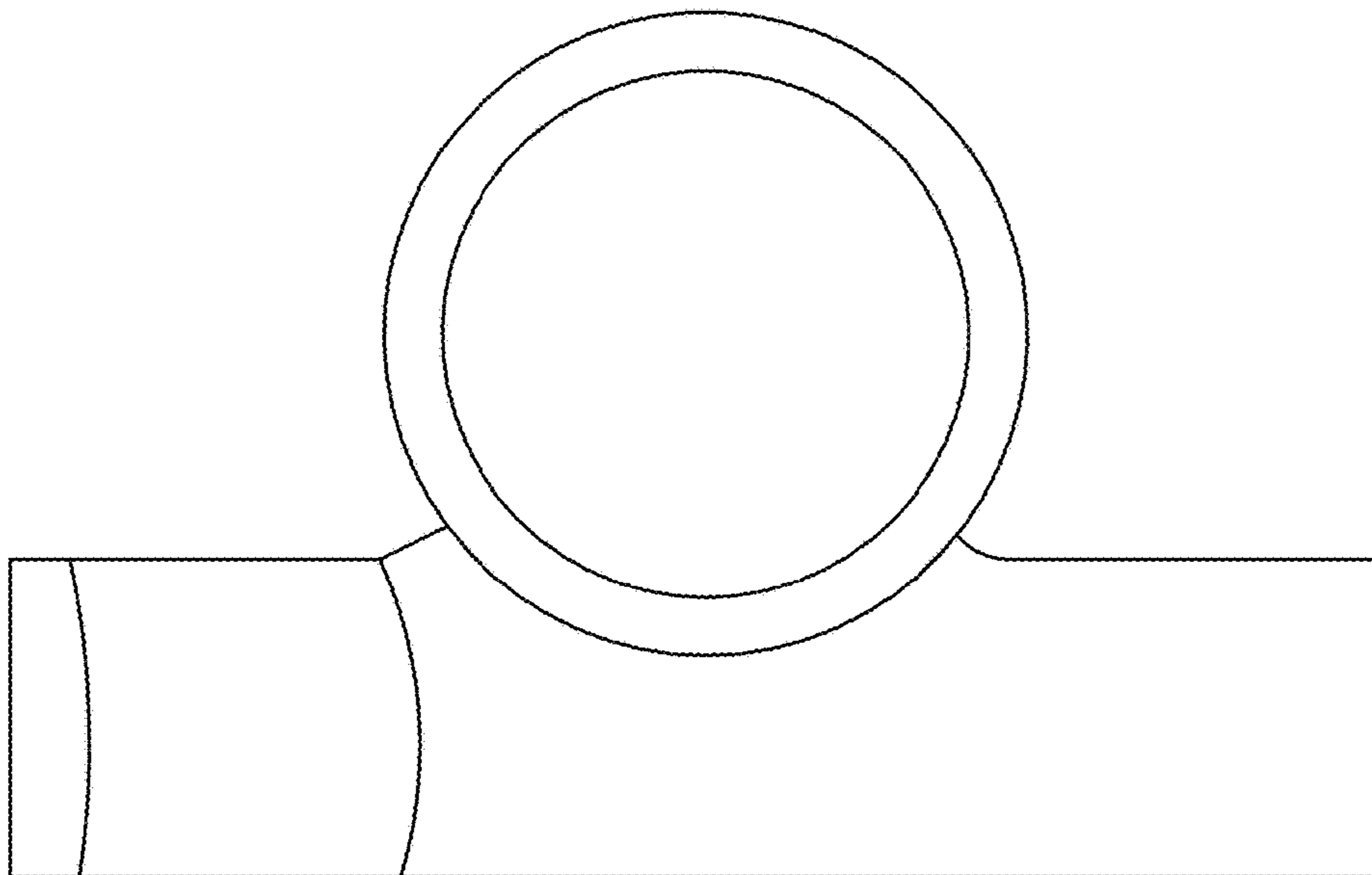
1.3



1.4

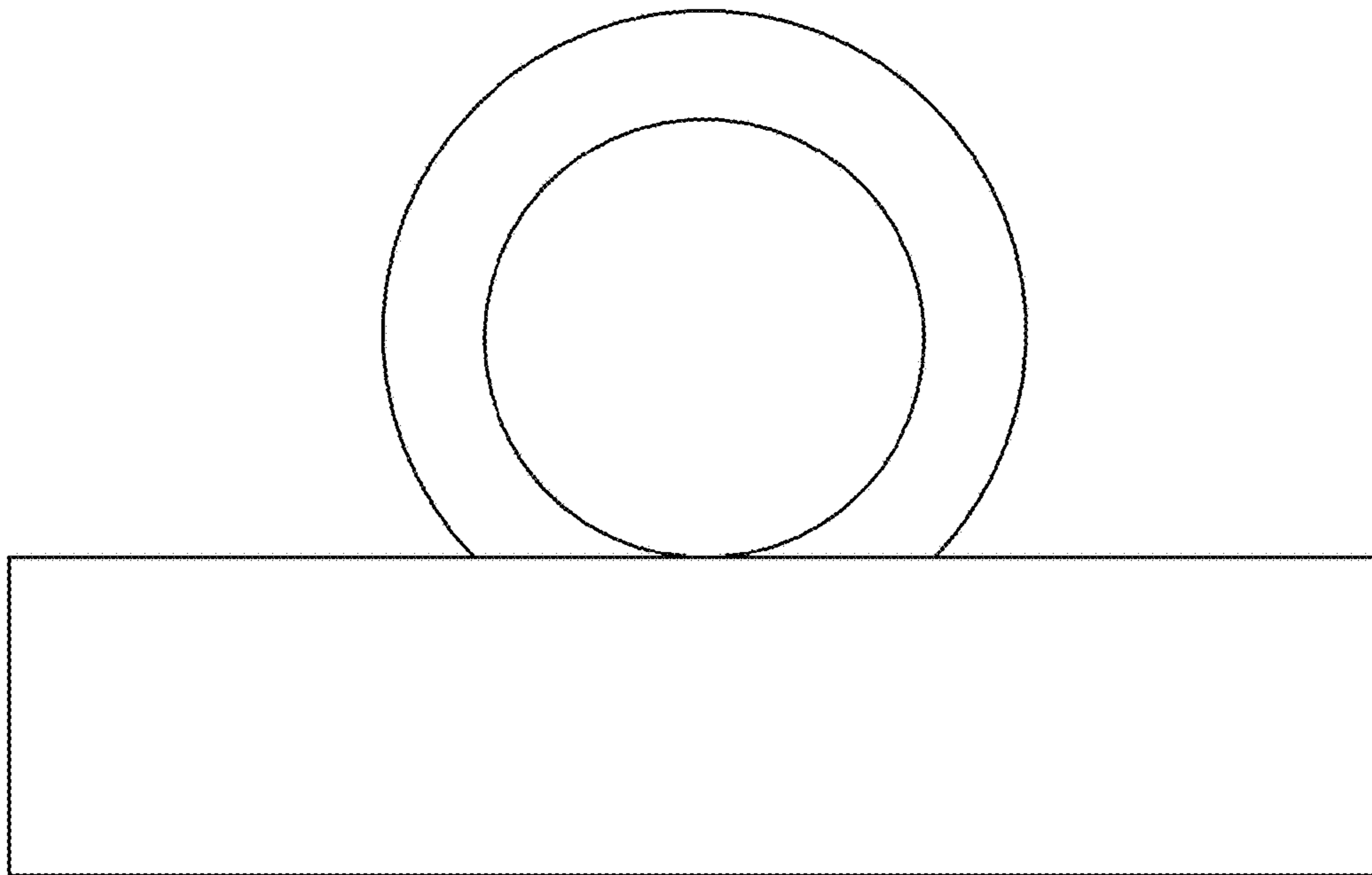


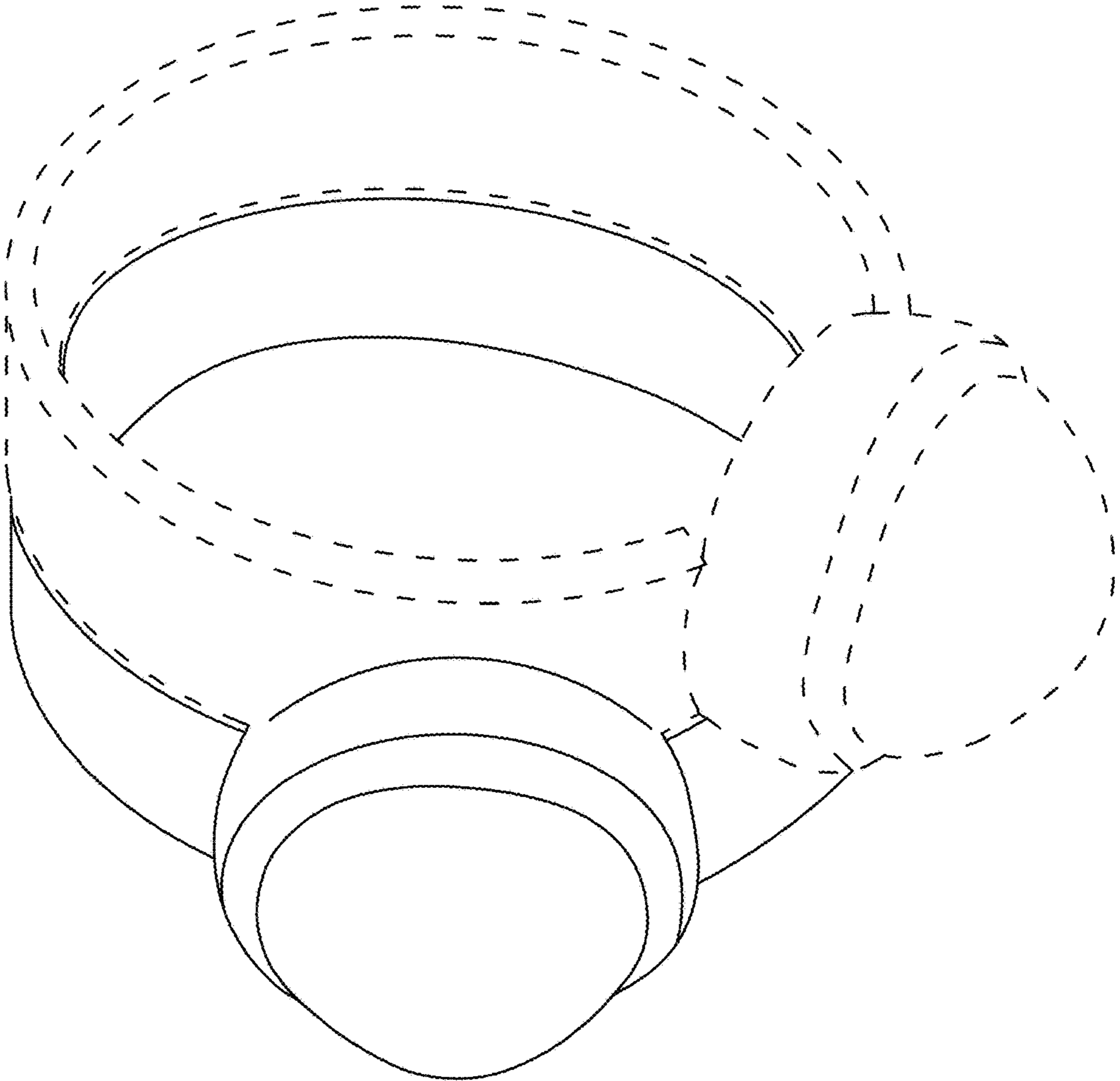
1.5



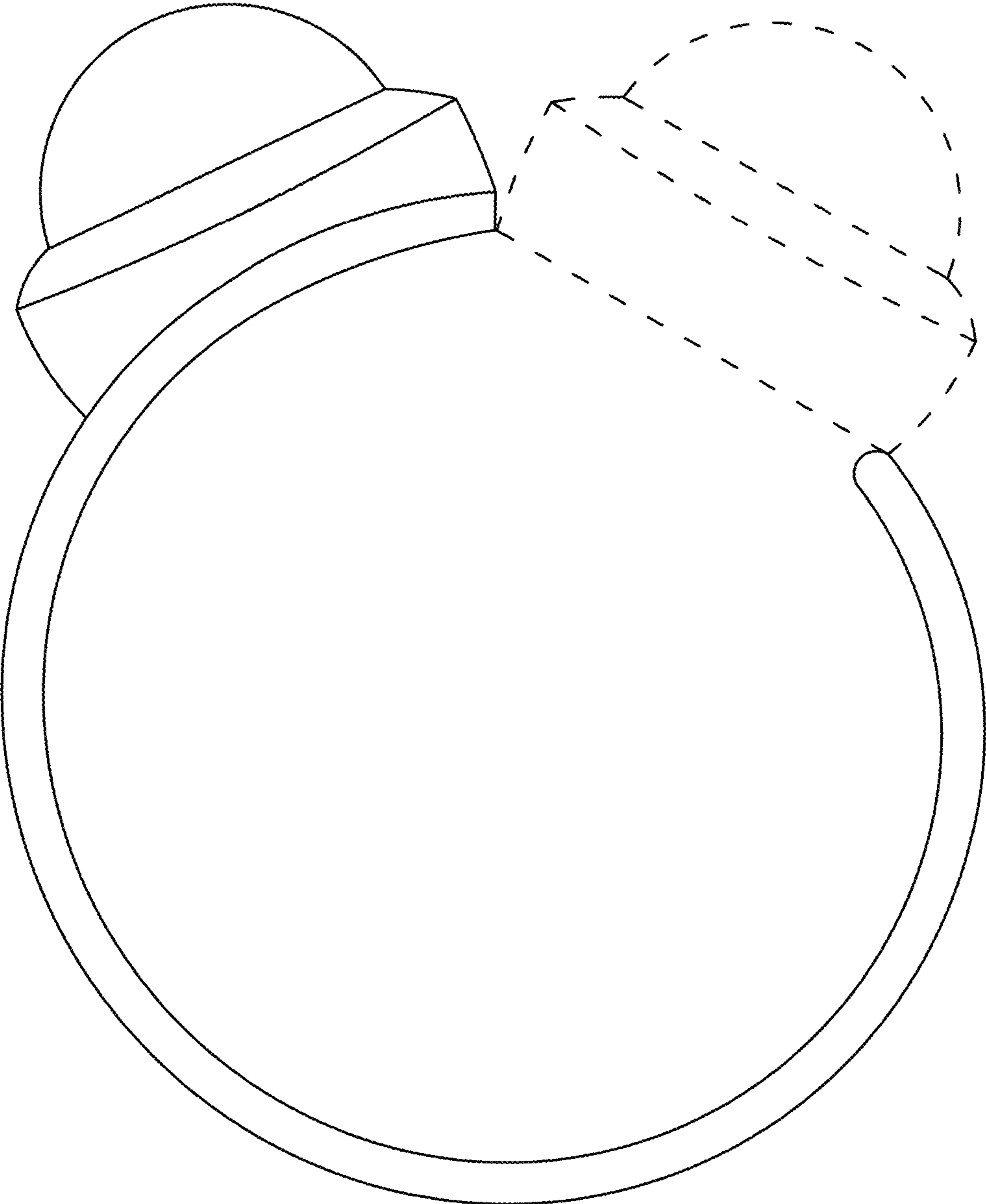
1.6



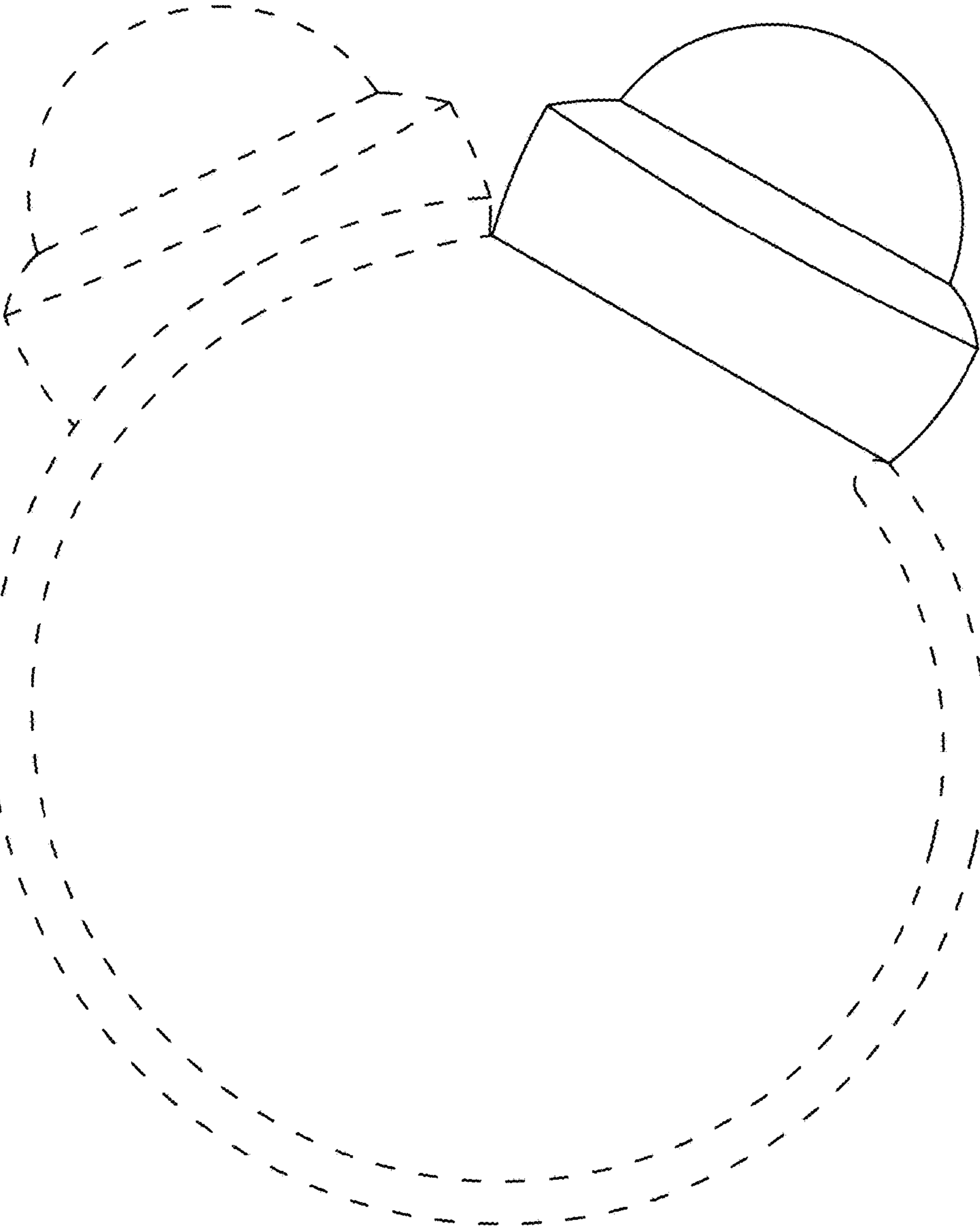




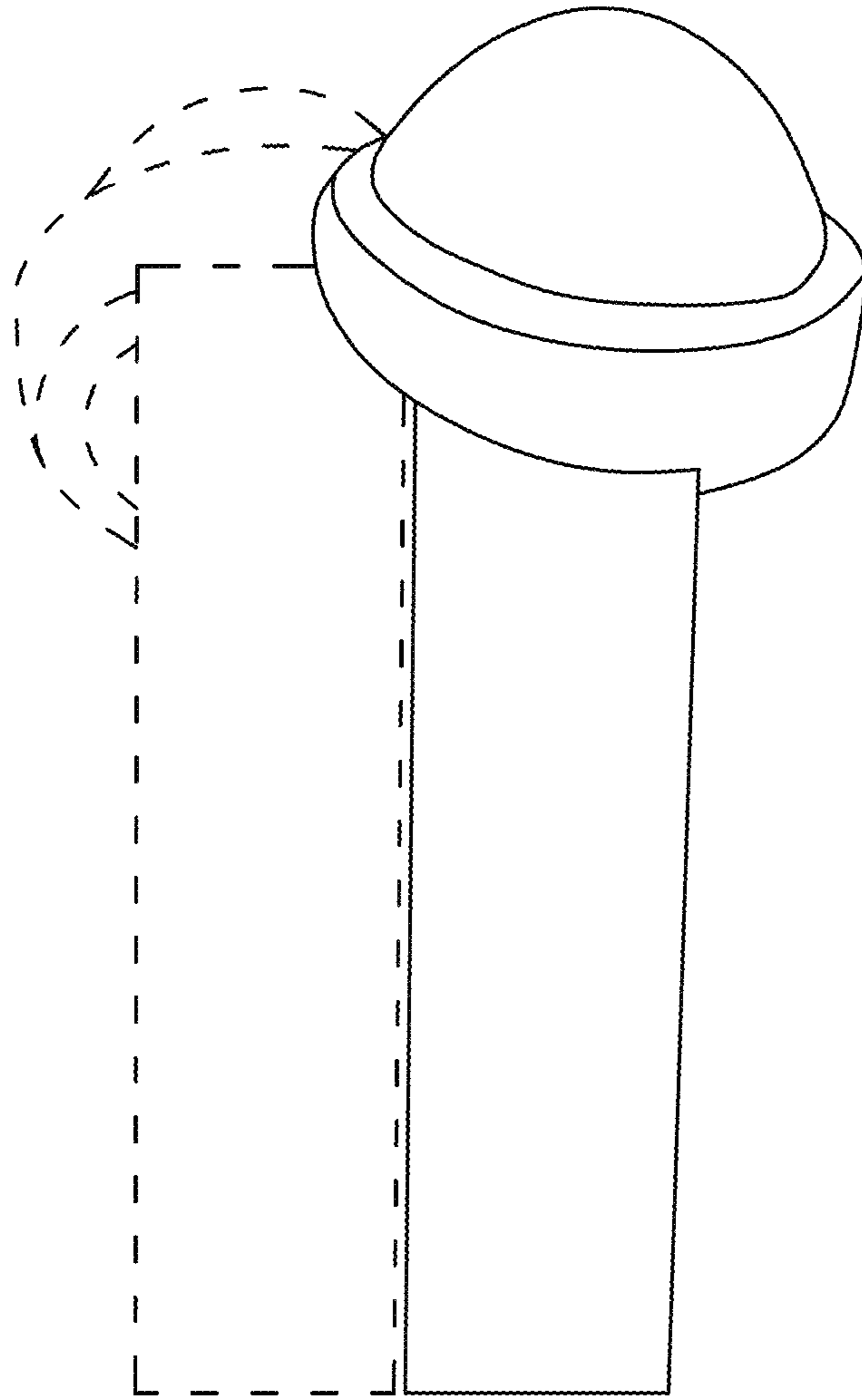
2.1



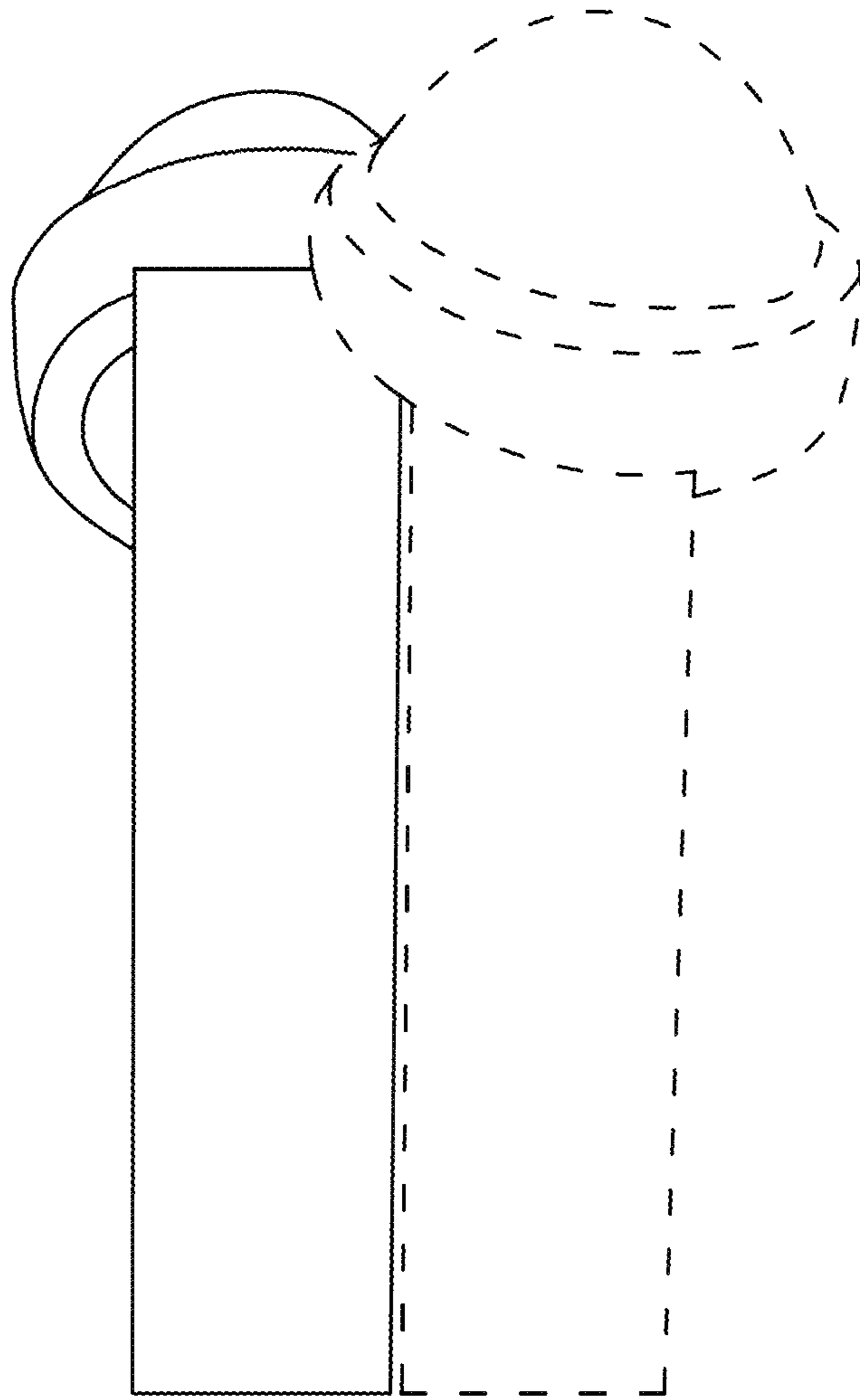
2.2



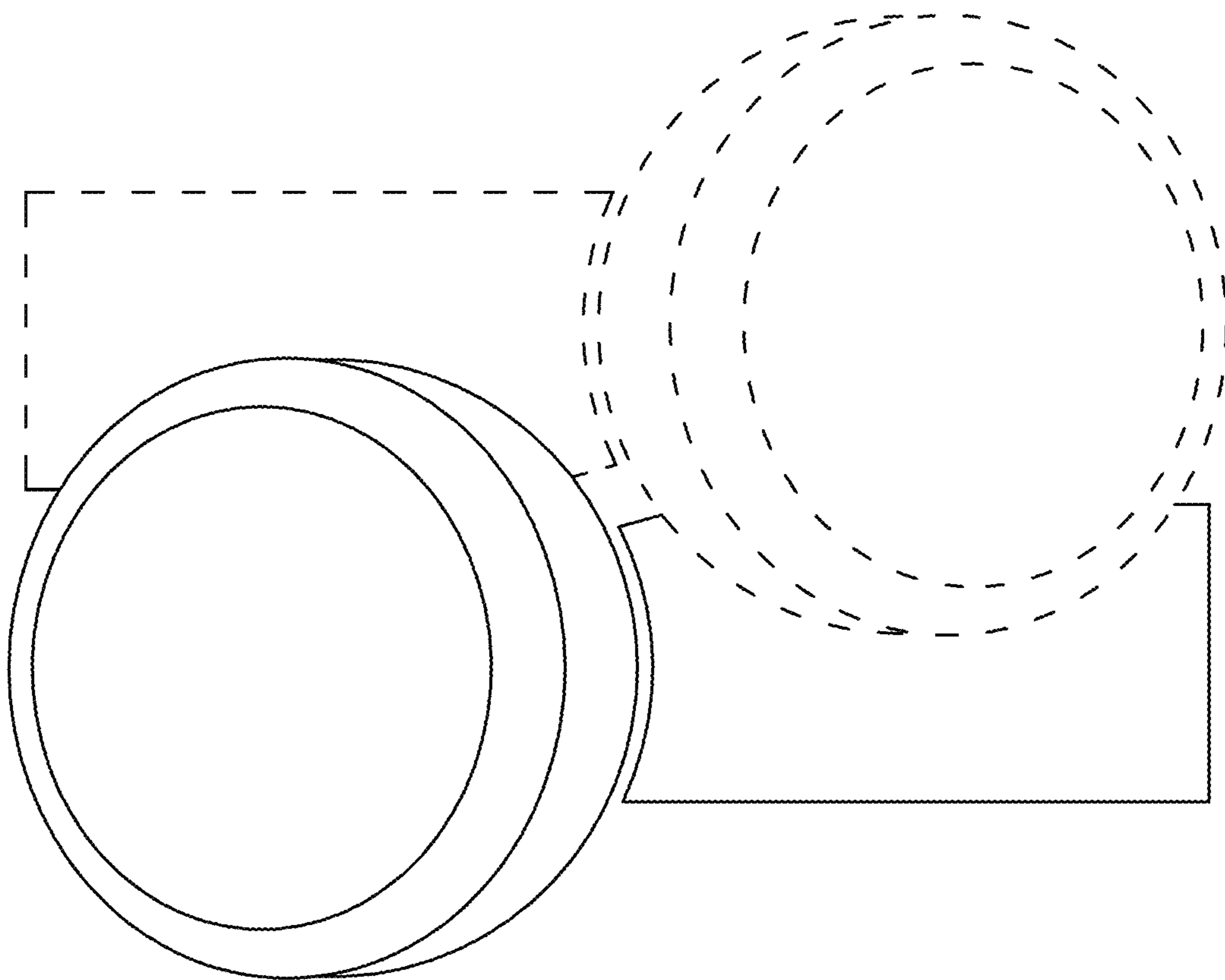
2.3



2.4



2.5



2.6

