



US00D826763S

(12) **United States Design Patent** (10) **Patent No.:** **US D826,763 S**
Chuang (45) **Date of Patent:** **** Aug. 28, 2018**

- (54) **WRISTBAND**
- (71) Applicant: **Lung-Fei Chuang**, Taichung (TW)
- (72) Inventor: **Lung-Fei Chuang**, Taichung (TW)
- (**) Term: **15 Years**
- (21) Appl. No.: **29/597,298**
- (22) Filed: **Mar. 16, 2017**
- (51) **LOC (11) Cl.** **11-01**
- (52) **U.S. Cl.**
USPC **D11/3**
- (58) **Field of Classification Search**
USPC D11/1-13, 86, 93, 94; D14/344;
D10/30-32, 38, 40, 68, 70, 98; D24/167;
D3/201, 214, 215
CPC A44C 11/00; A44C 11/002; A44C 11/005;
A44C 11/007; A44C 5/00; A44C 5/0053;
A44C 5/0061; A44C 5/0069; A44C
5/0076; A44C 5/02; A44C 5/022; A44C
5/025; A44C 5/027; A44C 5/08; A44C
5/10; A44C 5/102; A44C 5/105; A44C
5/107; A44C 13/00; G06F 1/163; G09F
3/005
See application file for complete search history.

- (56) **References Cited**
U.S. PATENT DOCUMENTS
D526,574 S * 8/2006 Plange D10/32
D533,468 S * 12/2006 Loth D10/32
D564,367 S * 3/2008 Molyneux D10/31
D581,826 S * 12/2008 Molyneux D10/32
8,370,549 B2 * 2/2013 Burton A63B 24/00
D14/344
8,408,436 B2 * 4/2013 Berry A63B 24/00
224/176
8,601,731 B2 * 12/2013 Padgett A44C 5/14
40/633
D715,668 S * 10/2014 Roush D10/70
D715,674 S * 10/2014 Squires D10/32

- D718,647 S * 12/2014 Roush D10/70
- D720,248 S * 12/2014 Law D11/3
- D720,249 S * 12/2014 Park D11/3
- D727,196 S * 4/2015 Tanner D11/3
- D729,681 S * 5/2015 Lee D11/3
- D730,347 S * 5/2015 Jung D14/344
- D735,587 S * 8/2015 Squires D10/32
- D738,772 S * 9/2015 Choi D11/3
- D746,776 S * 1/2016 Park D13/146
- D747,714 S * 1/2016 Erbeus D10/32
- 9,311,686 B2 * 4/2016 Roush G06Q 50/22
- D767,435 S * 9/2016 Lee D11/3
- D767,436 S * 9/2016 Goodner D11/3
- D770,321 S * 11/2016 Murphy D11/3
- D779,989 S * 2/2017 Lee D10/70
- 9,594,404 B2 * 3/2017 Yoon G06F 1/163
- D788,608 S * 6/2017 Houin D24/167
- D790,374 S * 6/2017 Lean D24/167
- D794,261 S * 8/2017 Pulliam D30/152

(Continued)

Primary Examiner — Cynthia Ramirez
Assistant Examiner — L. Martinez-Rivera
(74) *Attorney, Agent, or Firm* — CKC & Partners Co.,
Ltd.

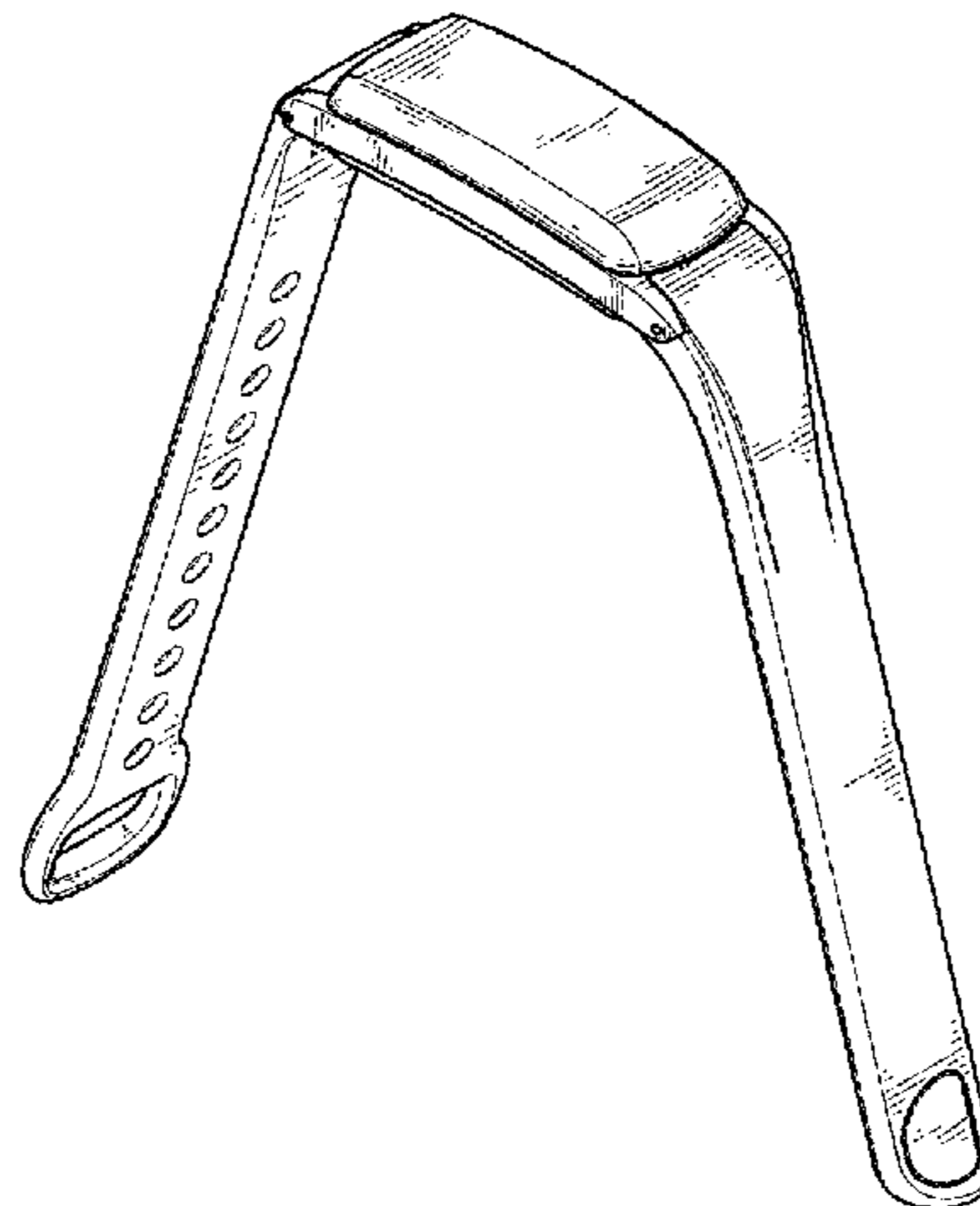
(57) **CLAIM**

The ornamental design for a wristband, as shown and described.

DESCRIPTION

FIG. 1 is a perspective view of a wristband showing my new design;
FIG. 2 is a front view thereof;
FIG. 3 is a back view thereof;
FIG. 4 is a left side view thereof;
FIG. 5 is a right side view thereof;
FIG. 6 is a top view thereof; and,
FIG. 7 is a bottom view thereof.
The portions shown in broken lines in the drawings depict environmental subject matter only and form no part of the claimed design.

1 Claim, 4 Drawing Sheets



(56)

References Cited

U.S. PATENT DOCUMENTS

D796,045 S * 8/2017 Henning D14/344
D800,007 S * 10/2017 Tibi D11/3
D800,109 S * 10/2017 Rouillac D14/344
D800,596 S * 10/2017 Ling D11/5
D802,466 S * 11/2017 Yu D11/3
D804,335 S * 12/2017 Bihan D10/70
D805,643 S * 12/2017 Wu D24/167
2016/0062410 A1* 3/2016 Ko G06F 1/163
361/679.03
2017/0083046 A1* 3/2017 Seok G06F 1/163
2017/0090512 A1* 3/2017 Seok G06F 1/163

* cited by examiner

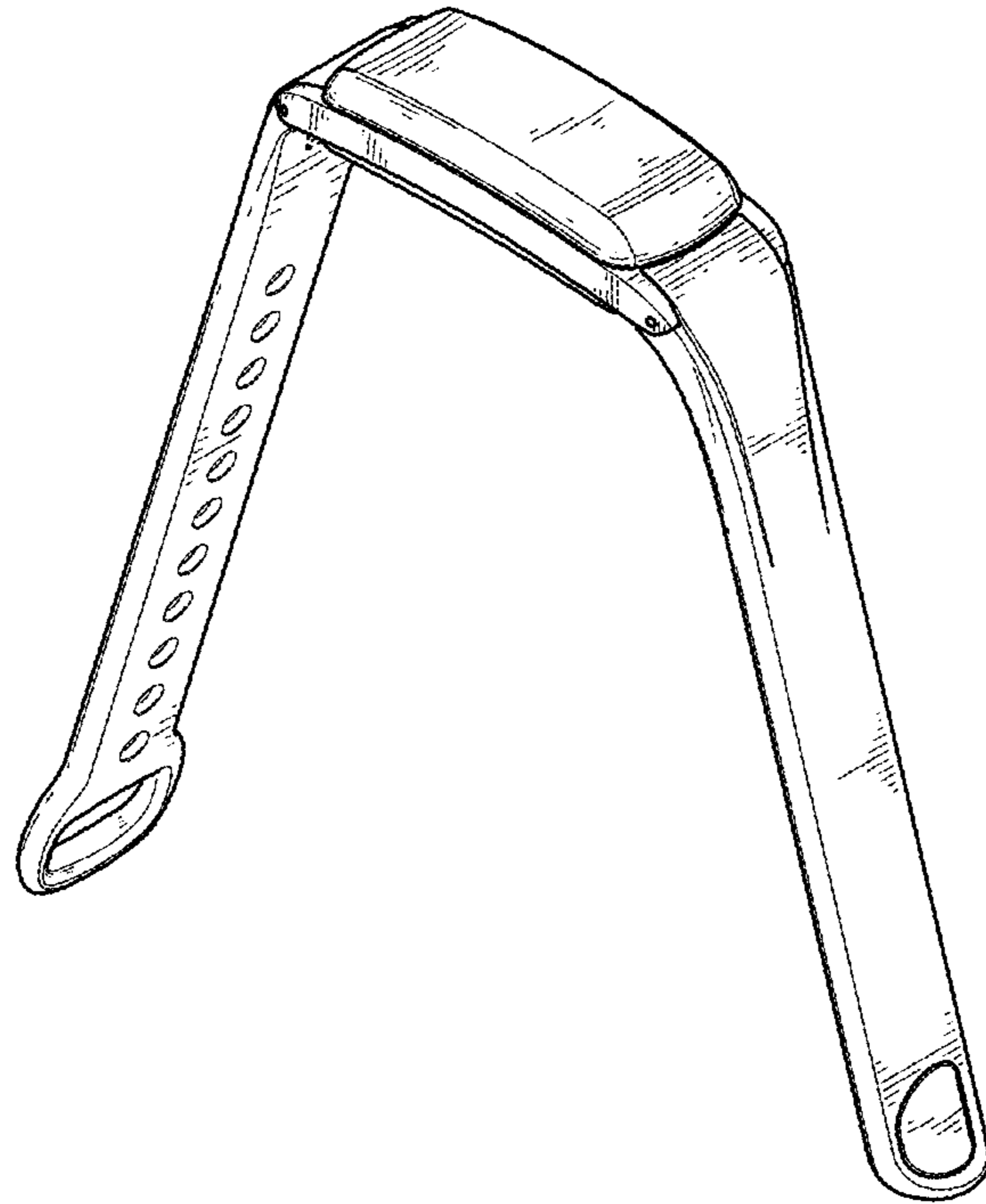


Fig. 1

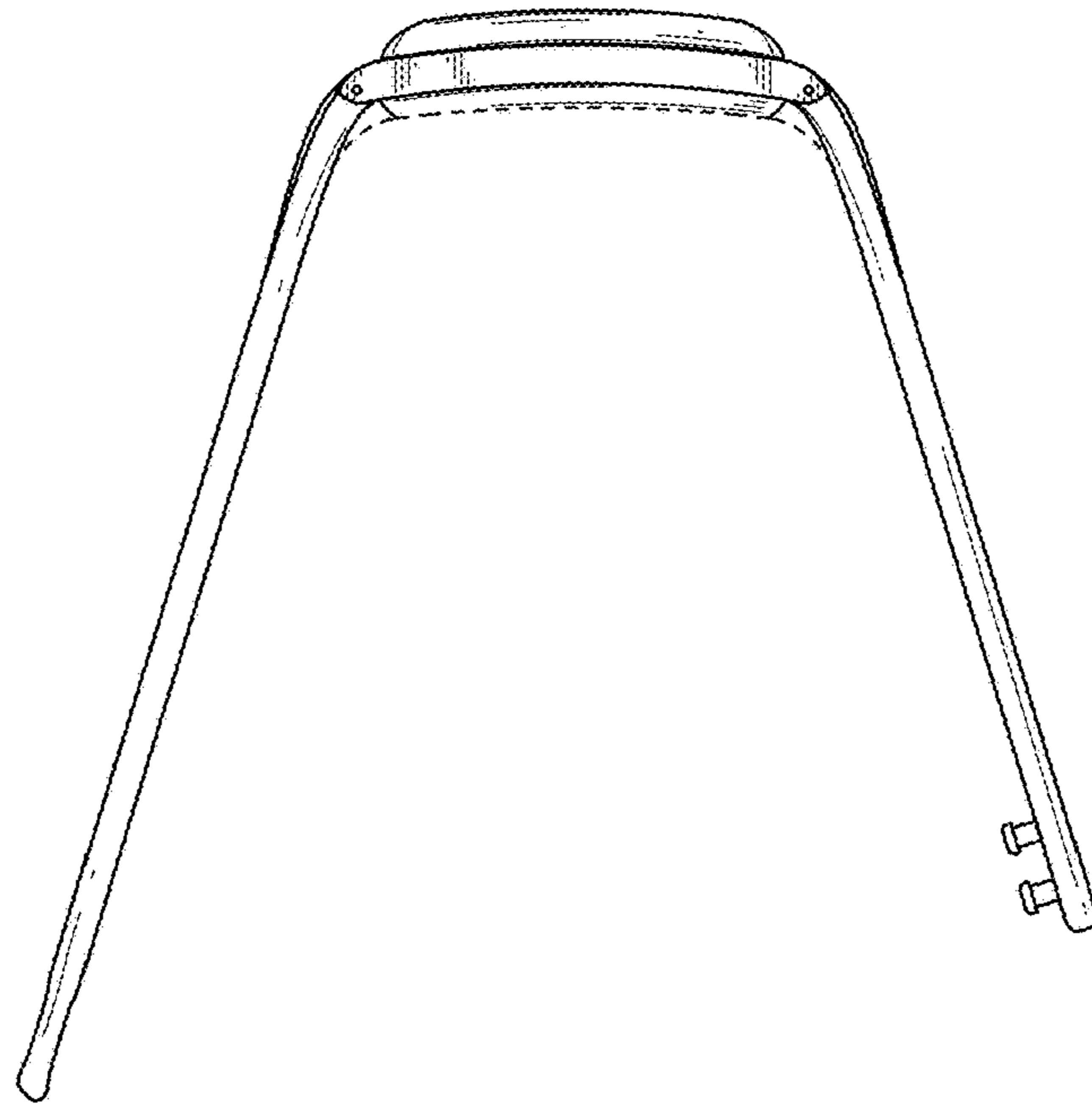


Fig. 2

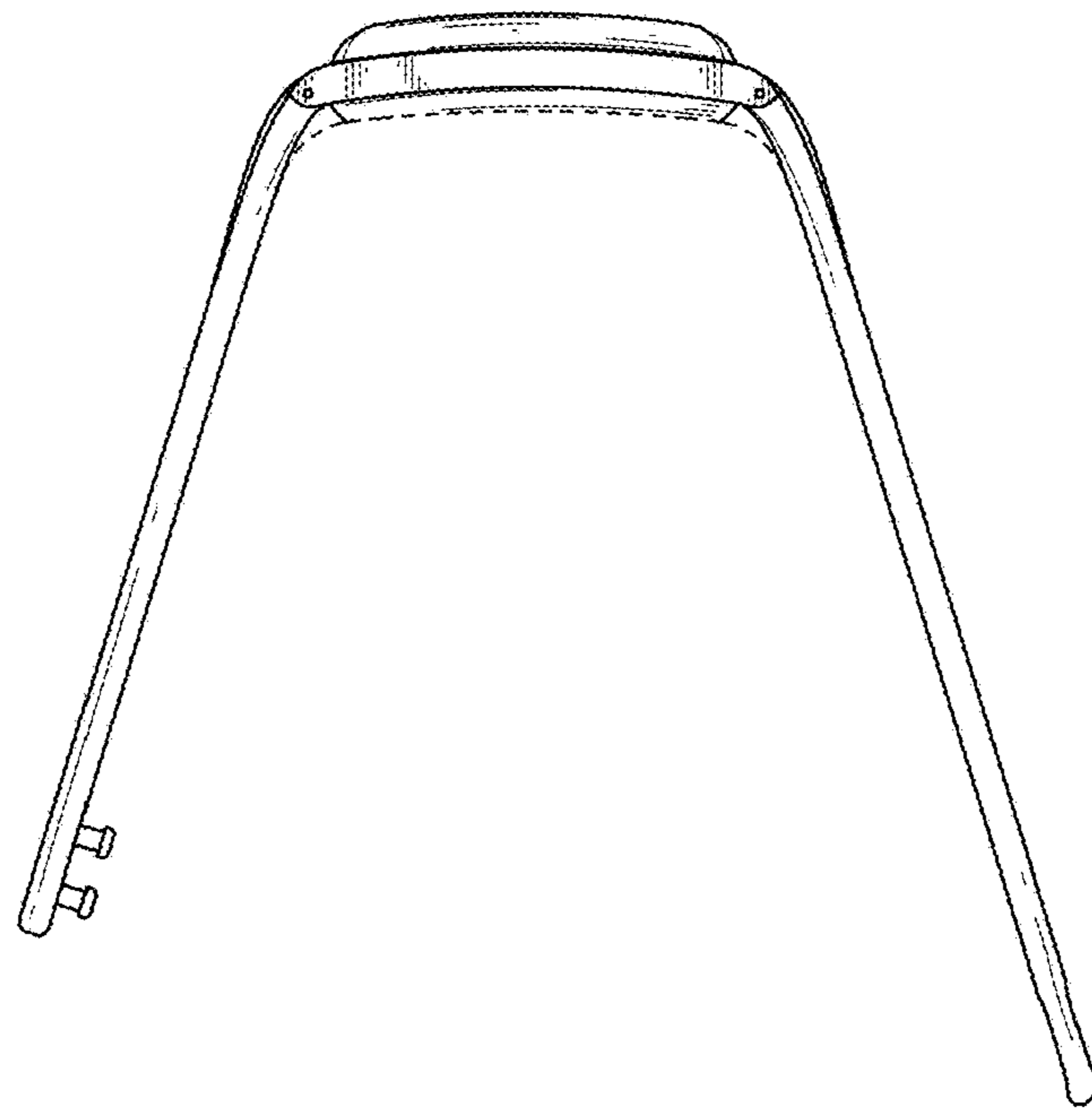


Fig. 3

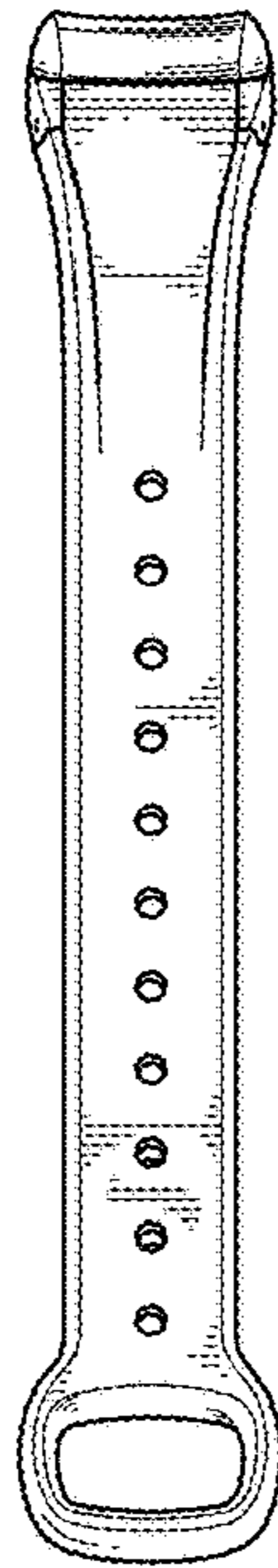


Fig. 4

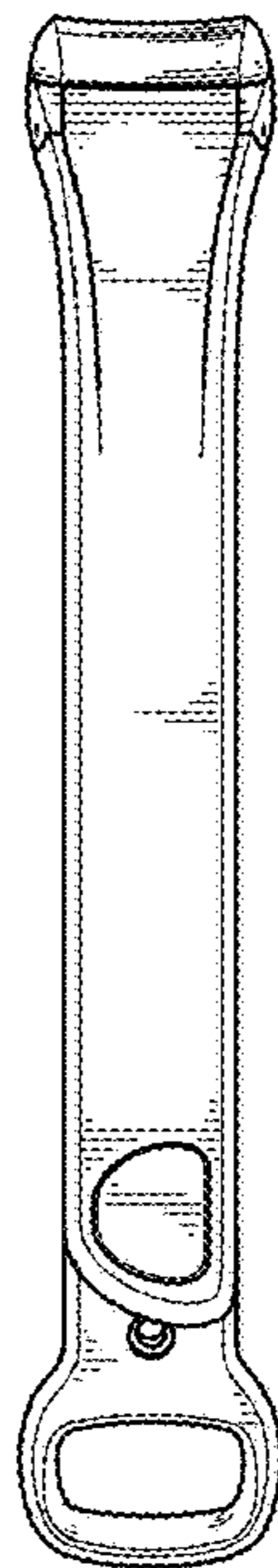


Fig. 5

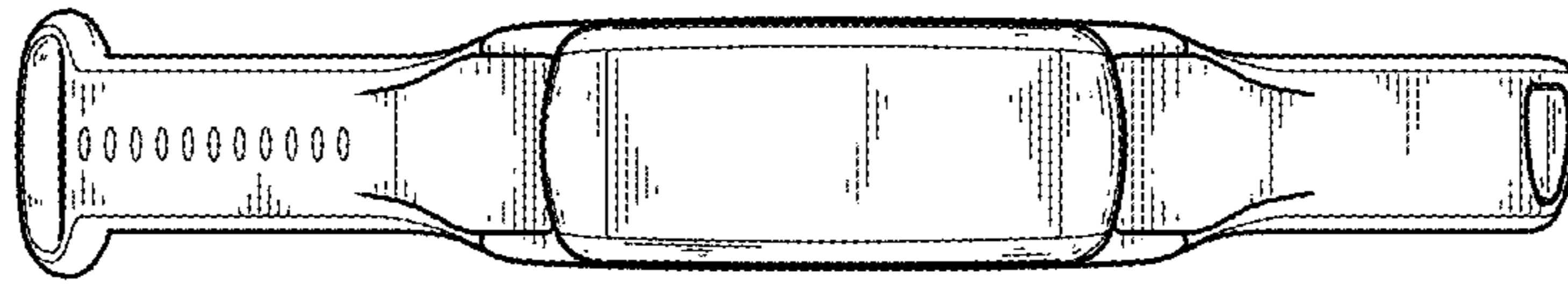


Fig. 6

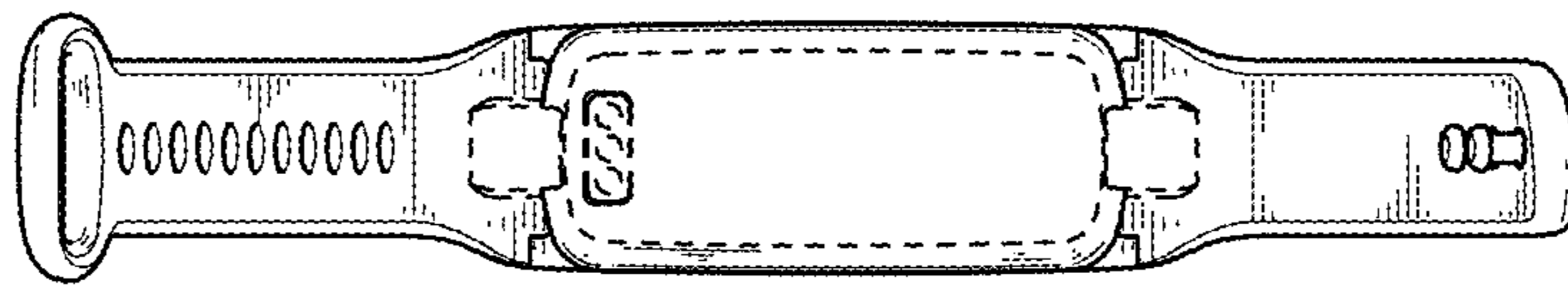


Fig. 7