



US00D826762S

(12) **United States Design Patent**  
**Smith**

(10) **Patent No.:** **US D826,762 S**

(45) **Date of Patent:** **\*\* Aug. 28, 2018**

(54) **MOORING BUOY**

(71) Applicant: **George Smith**, Aberdeen (GB)

(72) Inventor: **George Smith**, Aberdeen (GB)

(\*\*) Term: **15 Years**

(21) Appl. No.: **29/581,161**

(22) Filed: **Oct. 17, 2016**

(30) **Foreign Application Priority Data**

May 12, 2016 (EP) ..... 003124676-0001

(51) **LOC (11) Cl.** ..... **10-05**

(52) **U.S. Cl.**  
USPC ..... **D10/107**

(58) **Field of Classification Search**  
USPC ..... D10/107  
CPC ..... B63B 22/00; F03B 13/1865; A01M 29/10  
See application file for complete search history.

(56) **References Cited**

**U.S. PATENT DOCUMENTS**

D181,102 S *	10/1957	Kurt	.....	D10/107
D318,817 S *	8/1991	Sinrod	.....	D10/107
D362,641 S *	9/1995	Testerman, II	.....	D10/107
D363,445 S *	10/1995	Warner	.....	D10/107
D451,044 S *	11/2001	Campman	.....	D10/107

7,699,018 B2 \* 4/2010 Wells ..... A01M 29/10

116/22 A

7,755,211 B2 \* 7/2010 Montgomery ..... F03B 13/1865

290/53

7,785,163 B2 \* 8/2010 Spencer ..... B63B 22/00

114/294

D784,175 S \* 4/2017 Covelli ..... D10/107

\* cited by examiner

*Primary Examiner* — George D. Kirschbaum

(74) *Attorney, Agent, or Firm* — Westerman, Hattori,  
Daniels & Adrian, LLP

(57) **CLAIM**

The ornamental design for a mooring buoy, as shown and described.

**DESCRIPTION**

FIG. 1 is a front elevational view of a mooring buoy showing my new design.

FIG. 2 is a left side elevational view thereof, the right side view being a mirror image thereof.

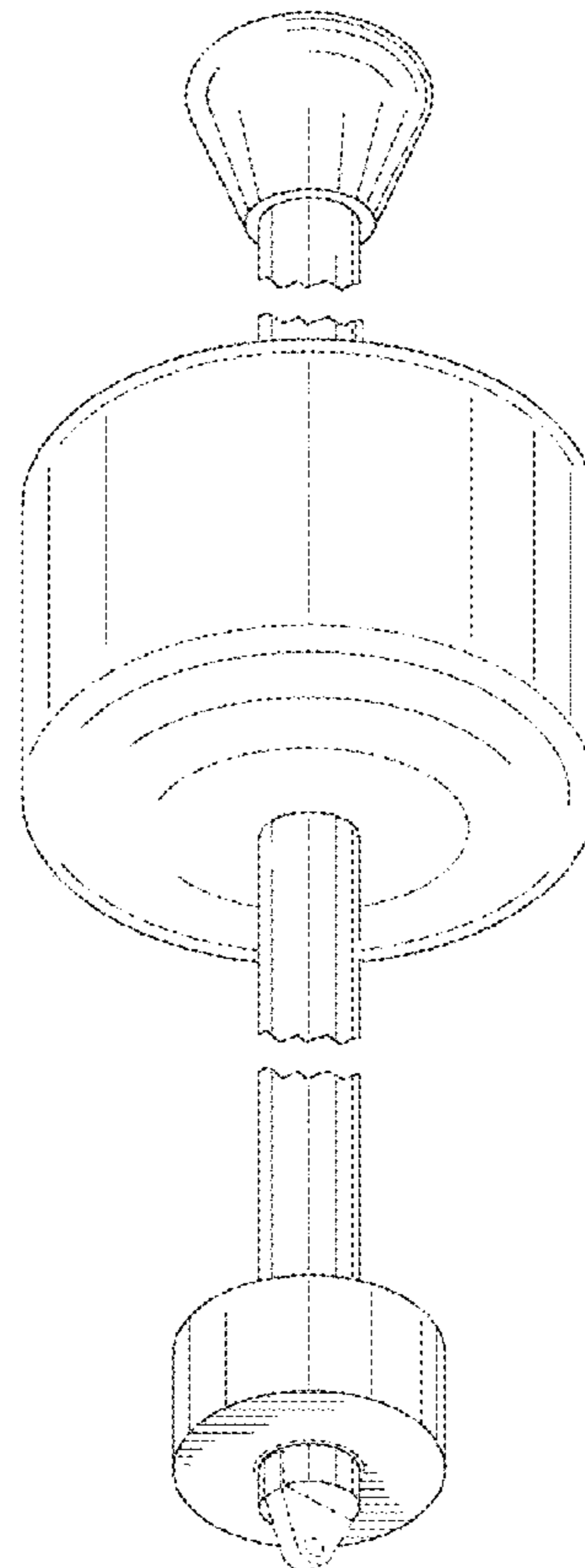
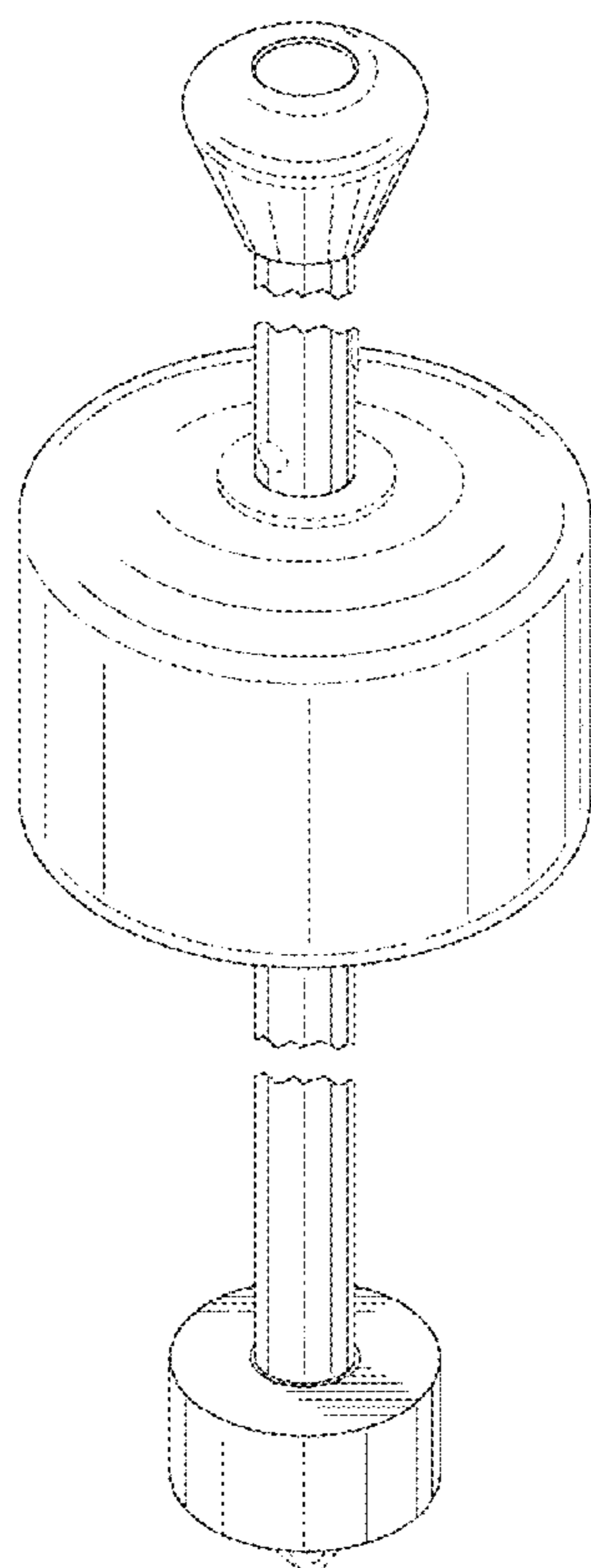
FIG. 3 is a rear elevational view thereof.

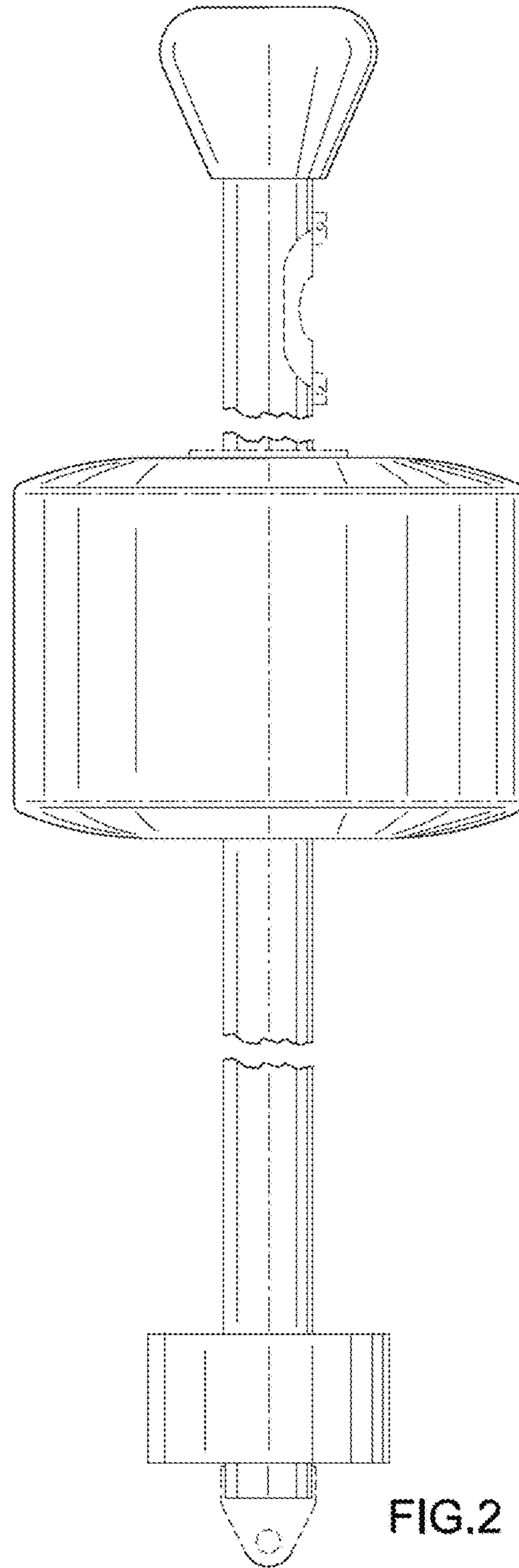
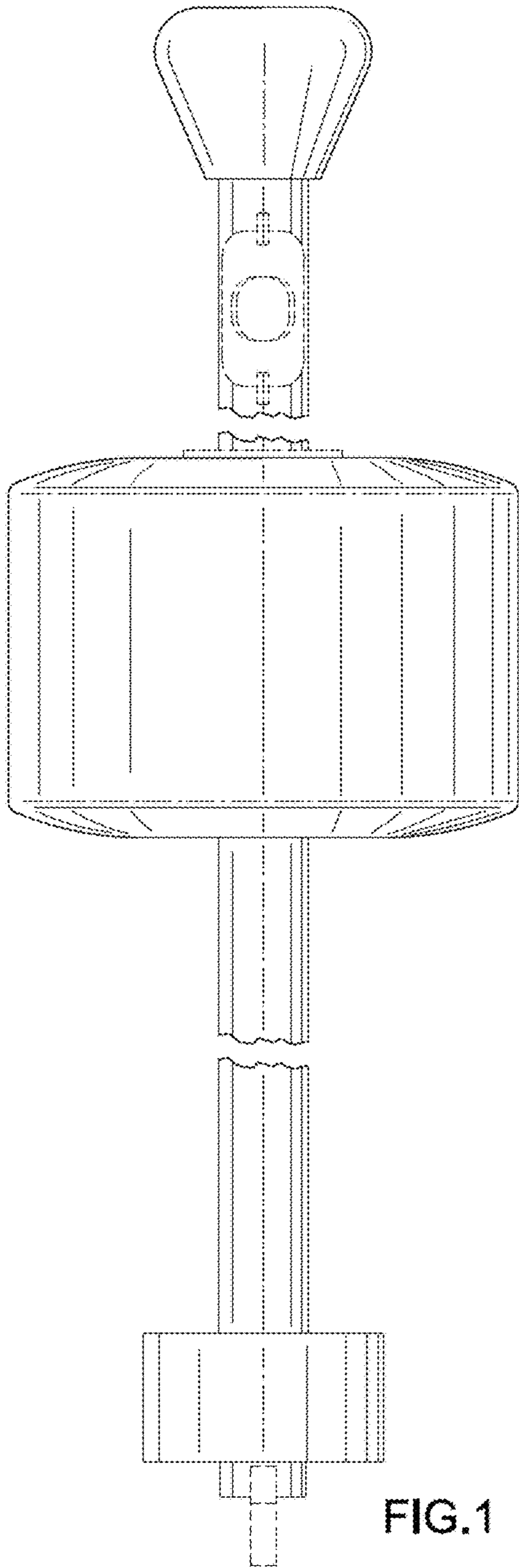
FIG. 4 is a top isometric view thereof; and,

FIG. 5 is a bottom isometric view thereof.

The claimed mooring buoy is shown broken-away transversely in the various views to indicate that a specific length forms no part of the claimed design. The broken line showing of parts of the drawings is included for the purpose of illustrating use and environment and forms no part of the claimed design.

**1 Claim, 3 Drawing Sheets**





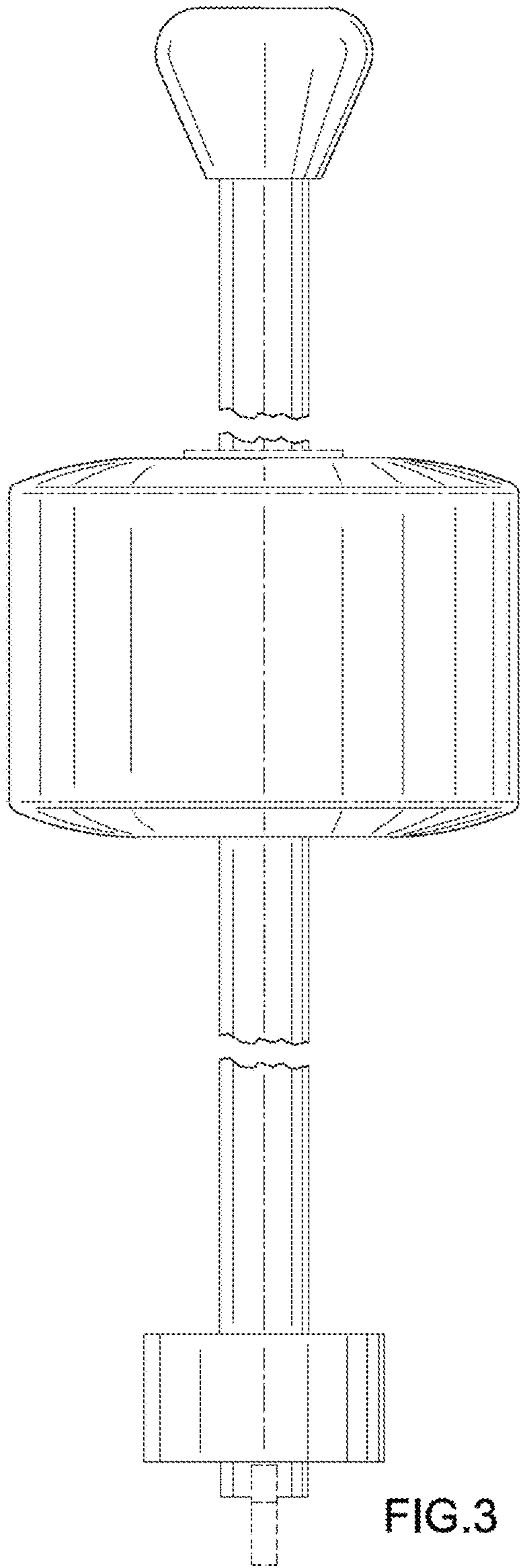


FIG.3

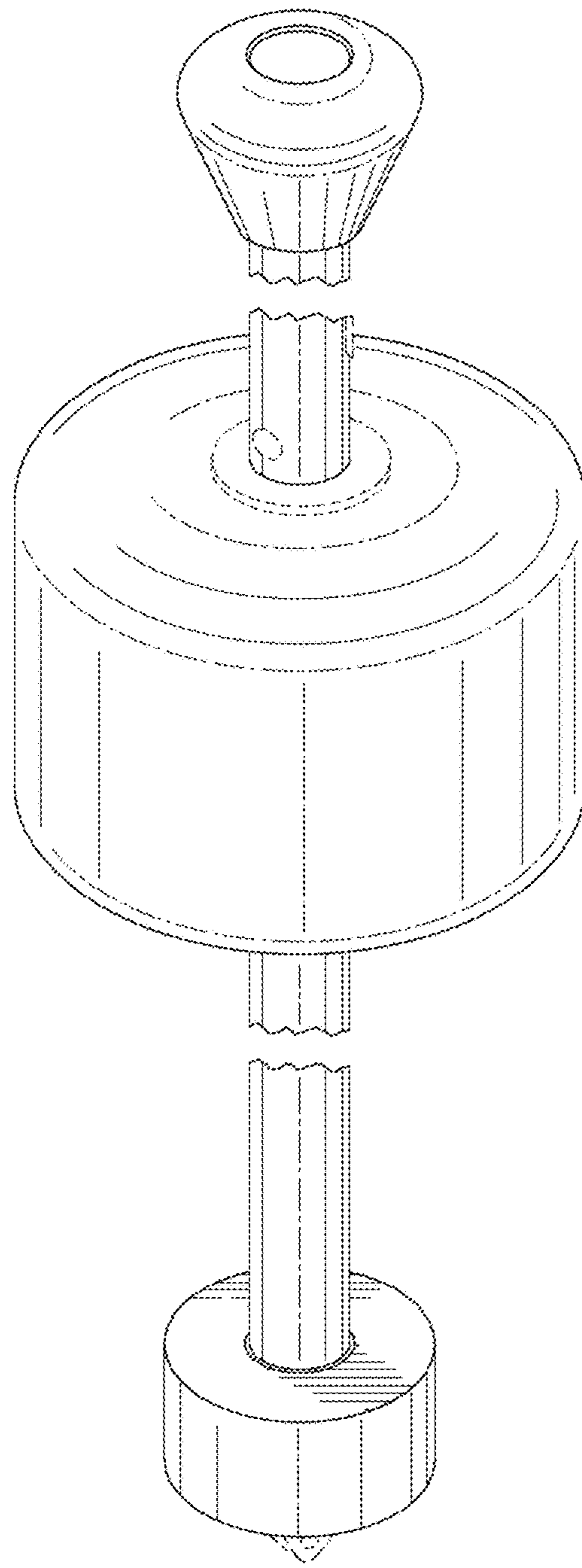


FIG.4

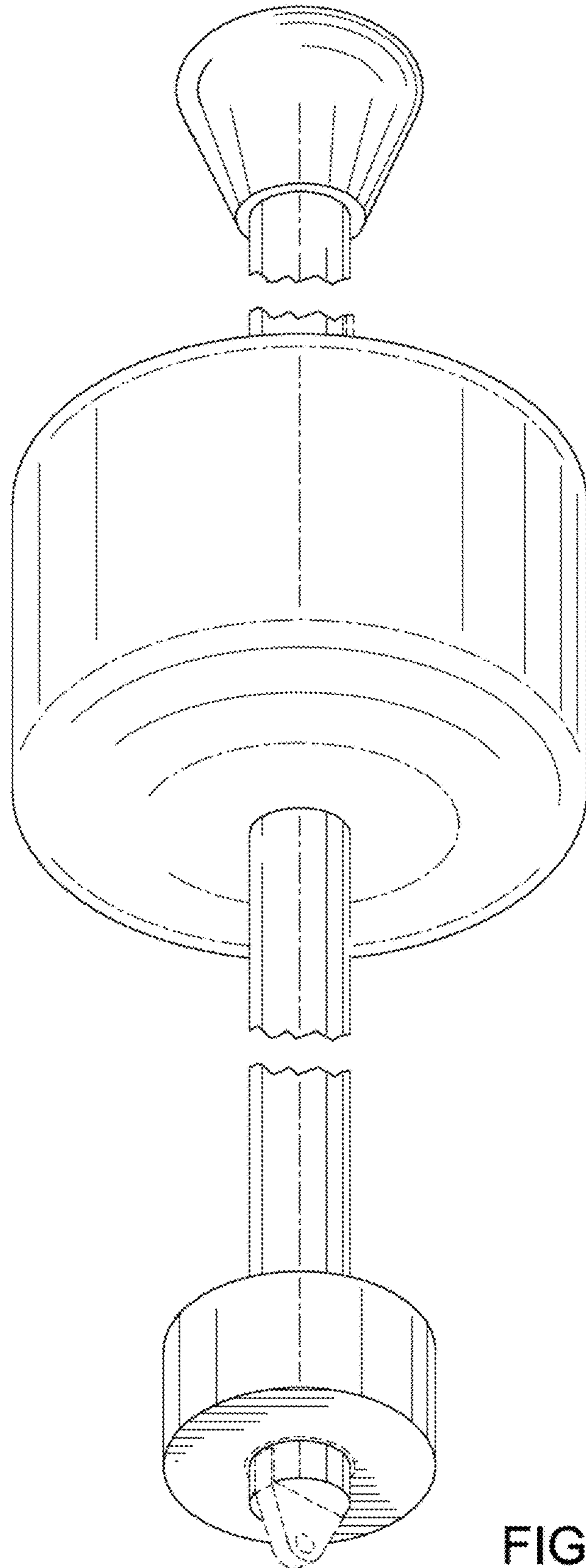


FIG.5