



US00D826761S

(12) **United States Design Patent** (10) **Patent No.:** **US D826,761 S**  
**Lee et al.** (45) **Date of Patent:** **\*\* Aug. 28, 2018**

(54) **CONTROL PANEL FOR COMBINATION DOMESTIC DETECTION DEVICE**

(71) Applicant: **LG ELECTRONICS INC., Seoul (KR)**

(72) Inventors: **Hophil Lee, Seoul (KR); Kyoungjoun Kim, Seoul (KR); Jaewon Jeong, Seoul (KR)**

(73) Assignee: **LG ELECTRONICS INC., Seoul (KR)**

(\*\*) Term: **15 Years**

(21) Appl. No.: **35/502,233**

(22) Filed: **Jul. 6, 2016**

(80) **Hague Agreement Data**

Int. Filing Date: **Jul. 6, 2016**  
Int. Reg. No.: **DM/091691**  
Int. Reg. Date: **Jul. 6, 2016**  
Int. Reg. Pub. Date: **Jan. 6, 2017**

(30) **Foreign Application Priority Data**

May 11, 2016 (KR) ..... 30-2016-0022261

(51) **LOC (11) Cl.** ..... **10-05**

(52) **U.S. Cl.**  
USPC ..... **D10/106.1; D10/106.95**

(58) **Field of Classification Search**  
USPC ..... D10/104, 106.1-106.95, 120; D12/179;  
D13/164; D14/357, 385, 387  
CPC ..... G08B 13/00; G08B 13/08; G08B 23/00  
See application file for complete search history.

(56) **References Cited**

**U.S. PATENT DOCUMENTS**

D406,567 S \* 3/1999 Roman ..... D13/162.1  
D424,466 S \* 5/2000 Morrow ..... D10/106.1

D447,075 S \* 8/2001 Roberts ..... D10/106.95  
D505,393 S \* 5/2005 Mullet ..... D13/168  
D515,955 S \* 2/2006 Edwards ..... D10/104.1  
D528,511 S \* 9/2006 Li ..... D13/168  
D528,512 S \* 9/2006 Li ..... D13/168  
D559,718 S \* 1/2008 Schaeken ..... D10/106.1  
D559,719 S \* 1/2008 Schaeken ..... D10/106.1  
D590,808 S \* 4/2009 Holger ..... D14/142  
D598,312 S \* 8/2009 Kreier ..... D10/106.95  
D628,926 S \* 12/2010 Carey ..... D10/106.3  
D630,537 S \* 1/2011 Mizukami ..... D10/106.95  
D635,043 S \* 3/2011 Loadholt ..... D10/104.1  
D793,888 S \* 8/2017 Hasegawa ..... D10/106.95  
D794,486 S \* 8/2017 Boisse ..... D10/114.2  
2006/0033635 A1 \* 2/2006 Chen ..... B60R 25/10  
340/693.6

\* cited by examiner

*Primary Examiner* — Darlington Ly

(74) *Attorney, Agent, or Firm* — Birch, Stewart, Kolasch & Birch, LLP

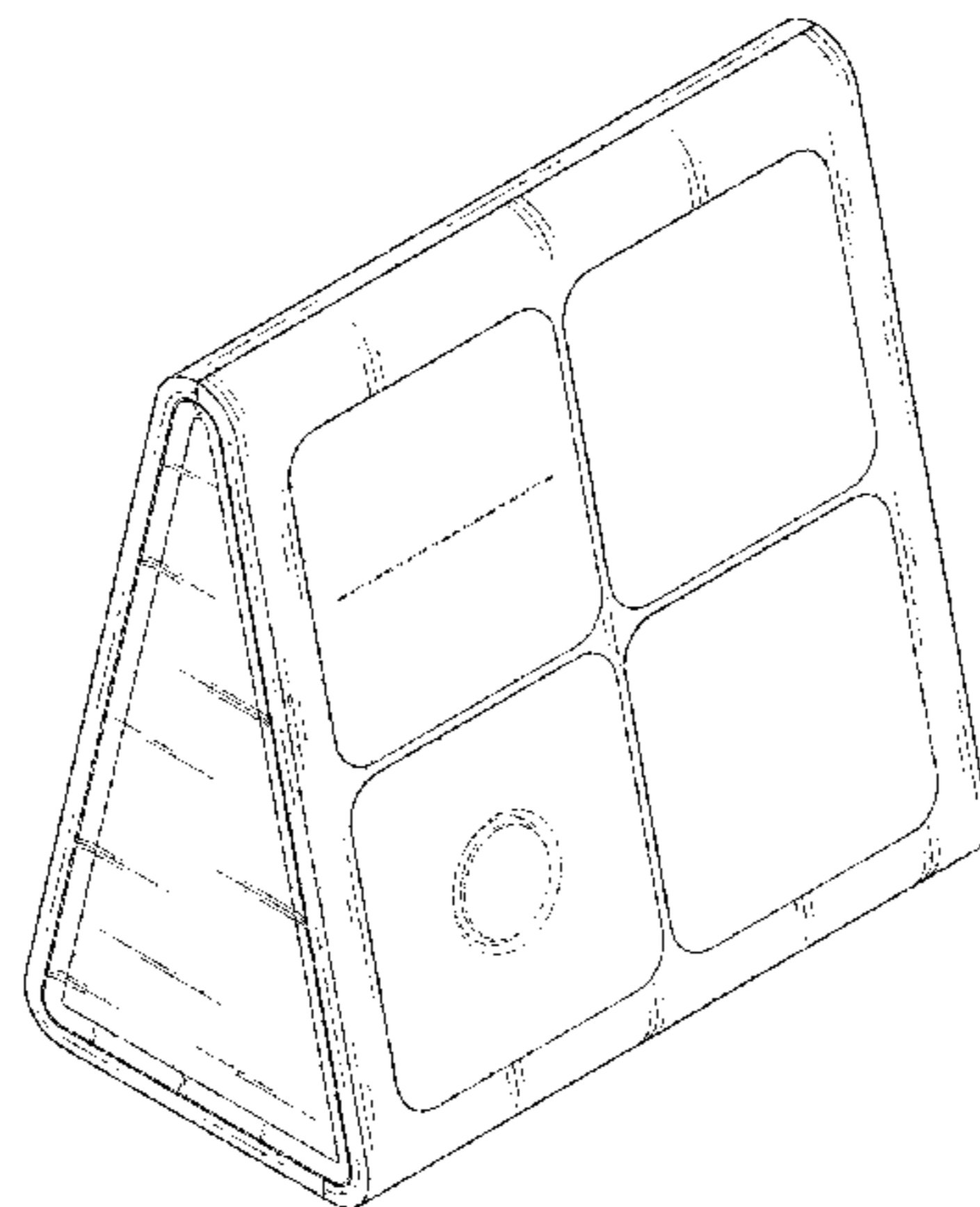
(57) **CLAIM**

The ornamental design for a control panel for combination domestic detection device, as shown and described.

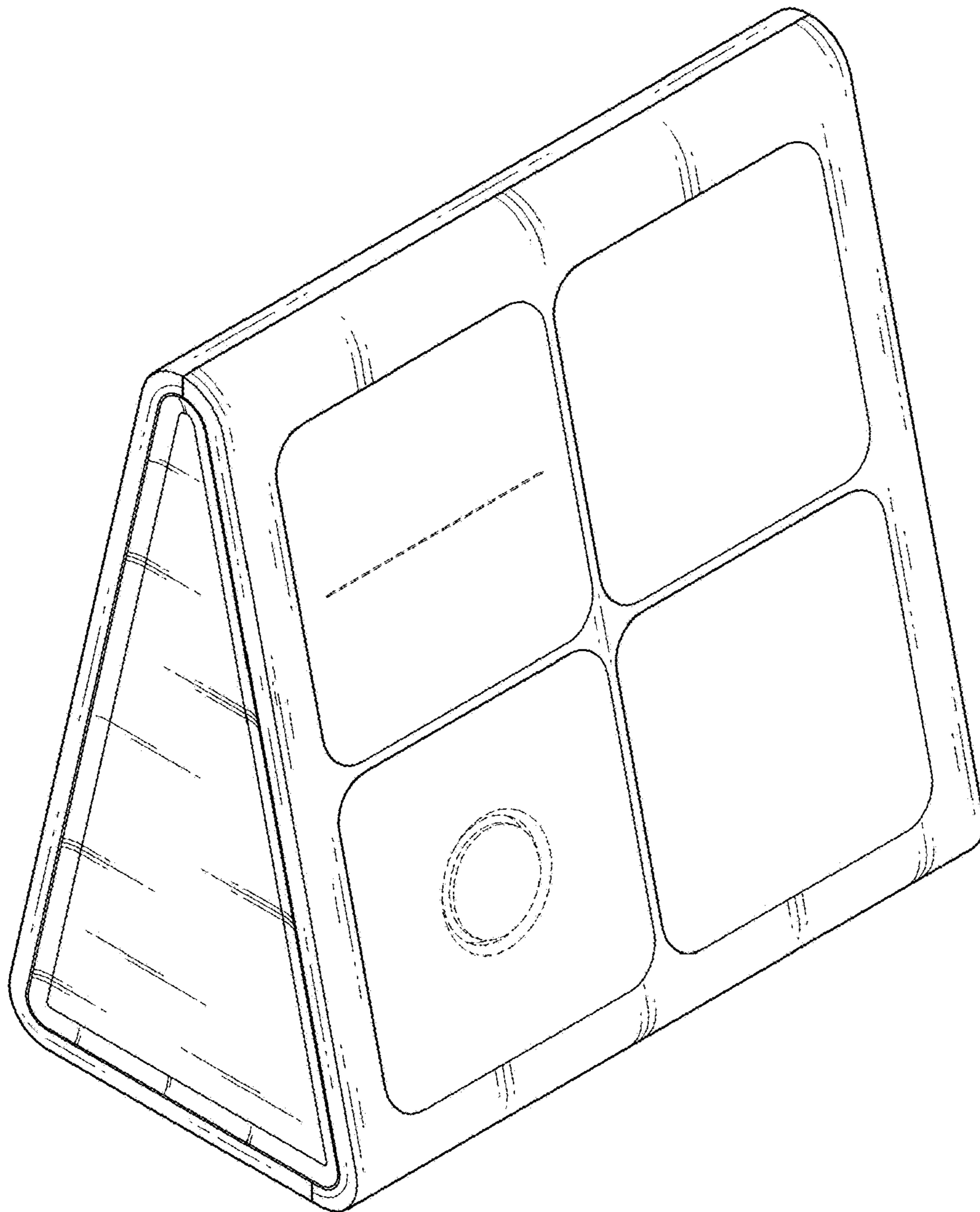
**DESCRIPTION**

1. Control panel for combination domestic detection device  
**1.1** is a front perspective view of a control panel for combination domestic detection device showing our new design;  
**1.2** is a front elevation view thereof;  
**1.3** is a rear elevation view thereof;  
**1.4** is a left side elevation view thereof;  
**1.5** is a right side elevation view thereof;  
**1.6** is a top plan view thereof;  
**1.7** is a bottom plan view thereof; and  
**1.8** is an exploded front perspective view thereof.  
The even broken lines in the reproductions illustrate portions of the control panel for combination domestic detection device that form no part of the claimed design.

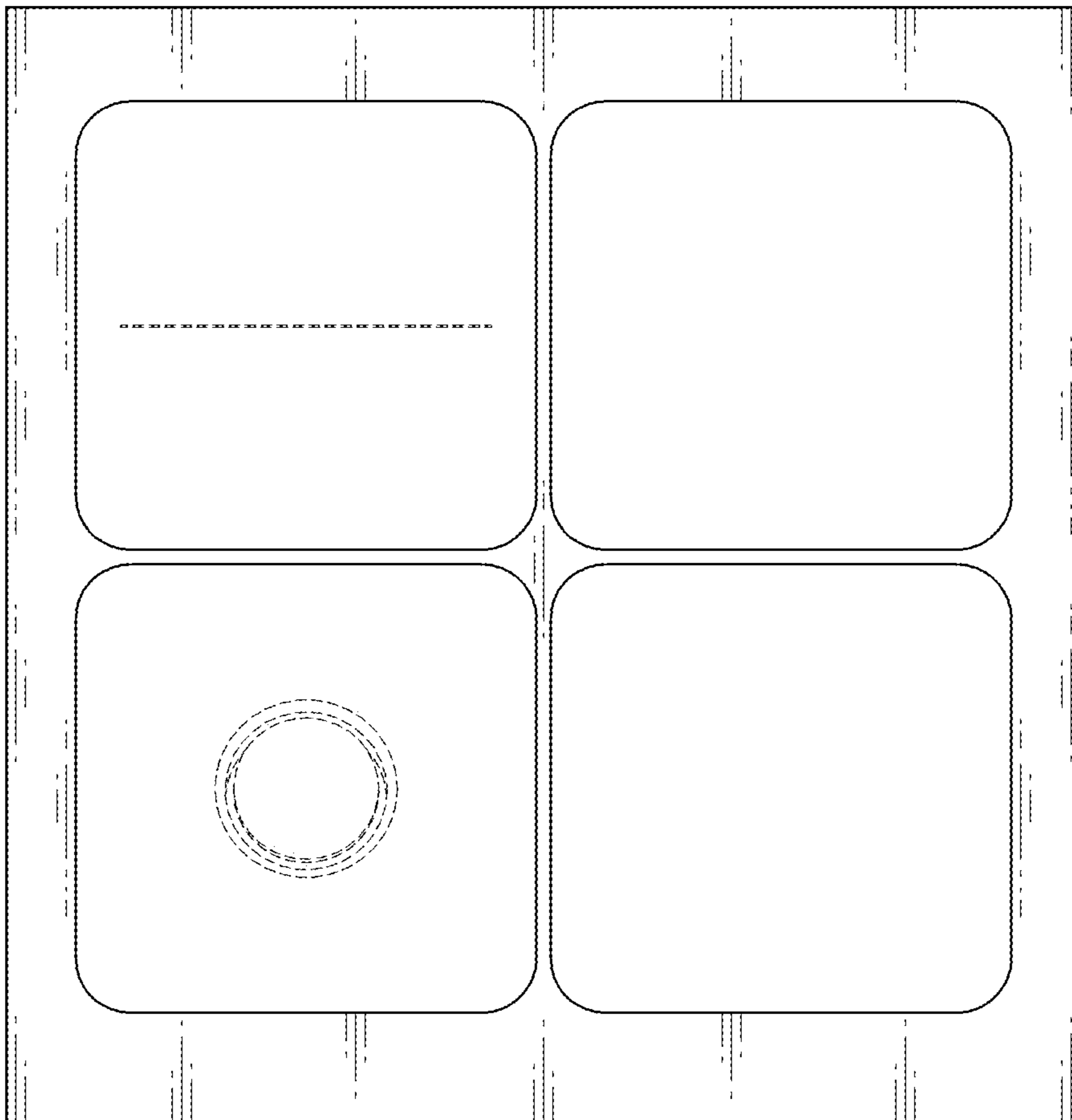
**1 Claim, 8 Drawing Sheets**



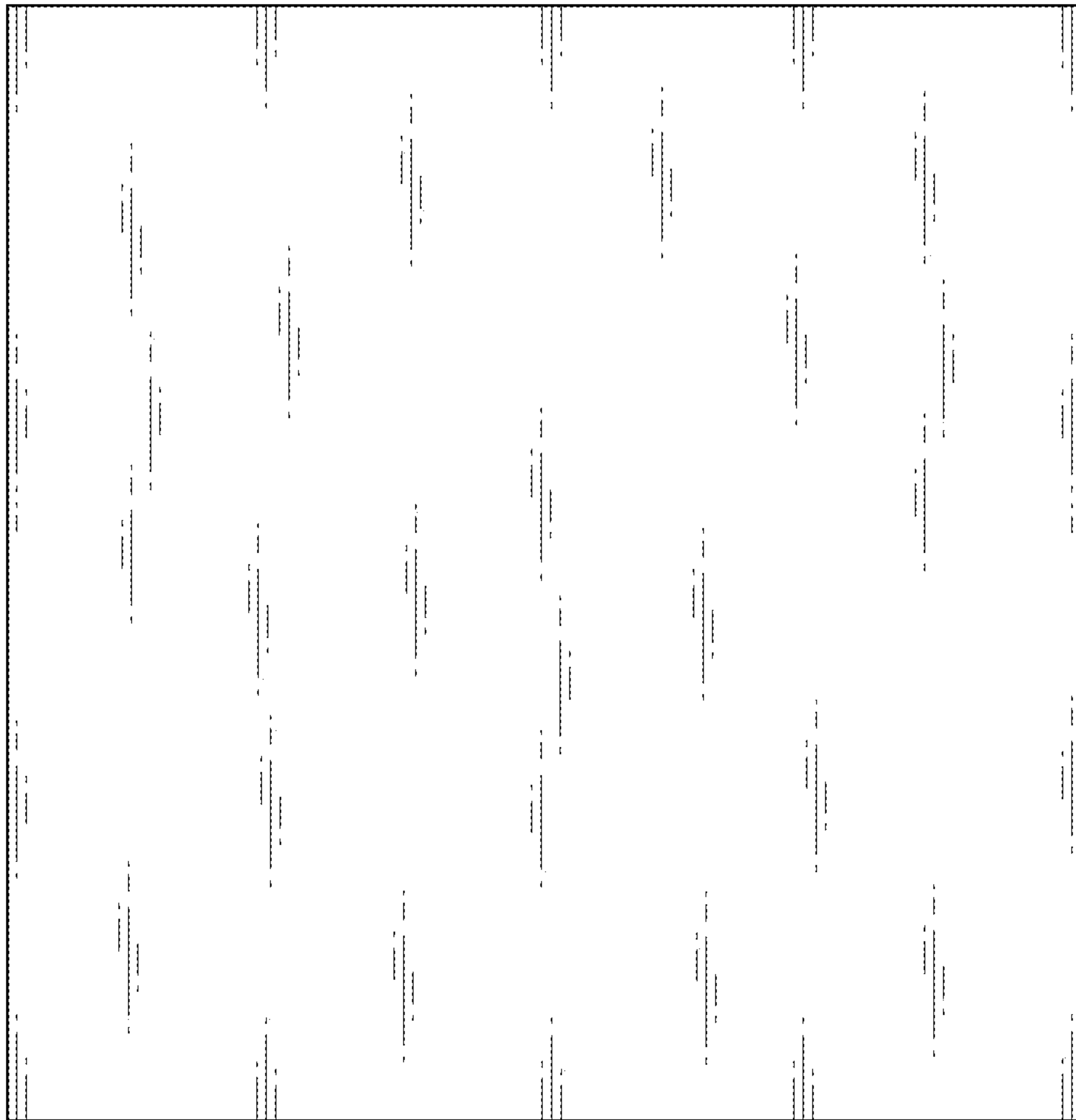
1.1



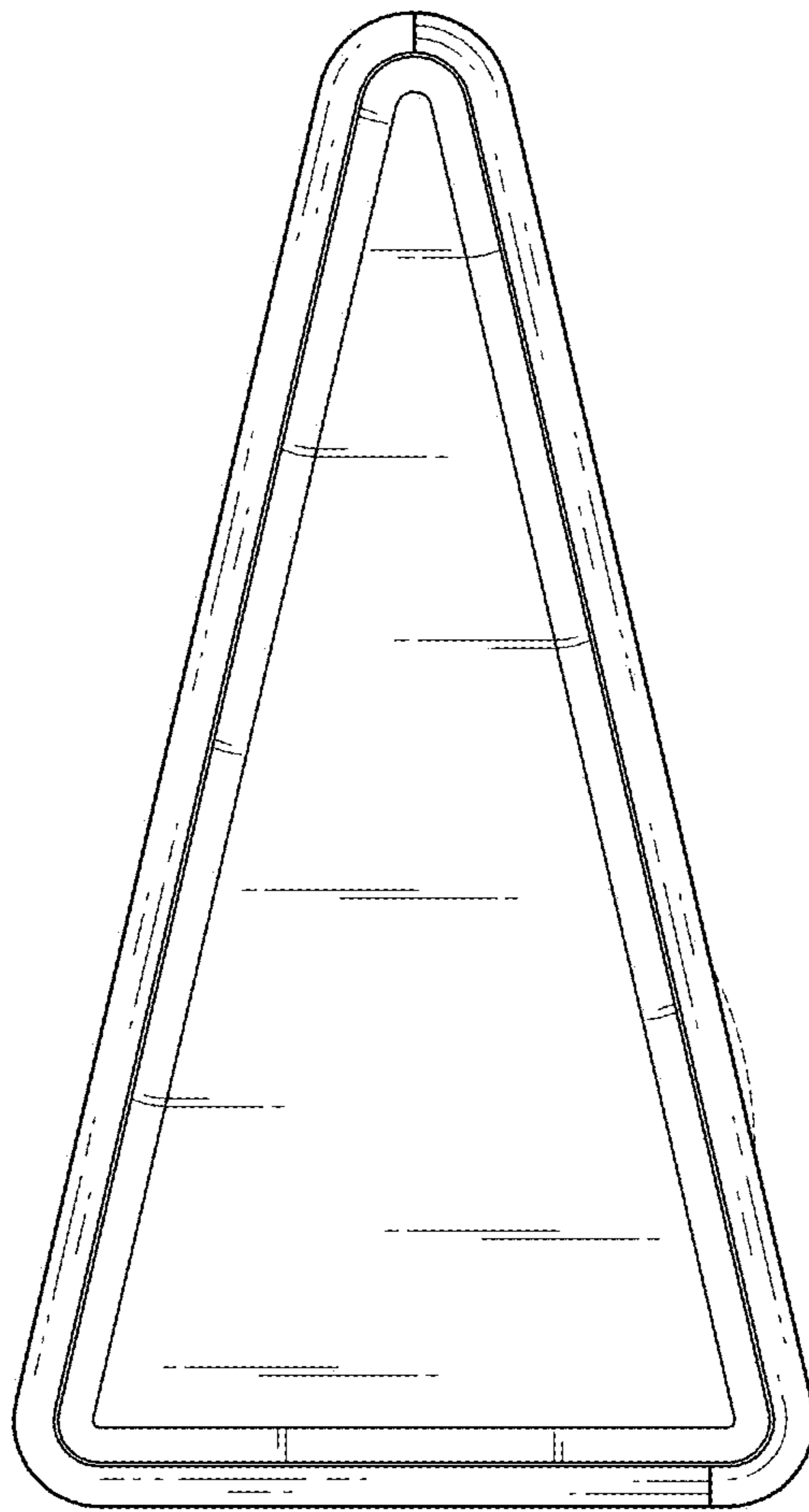
1.2



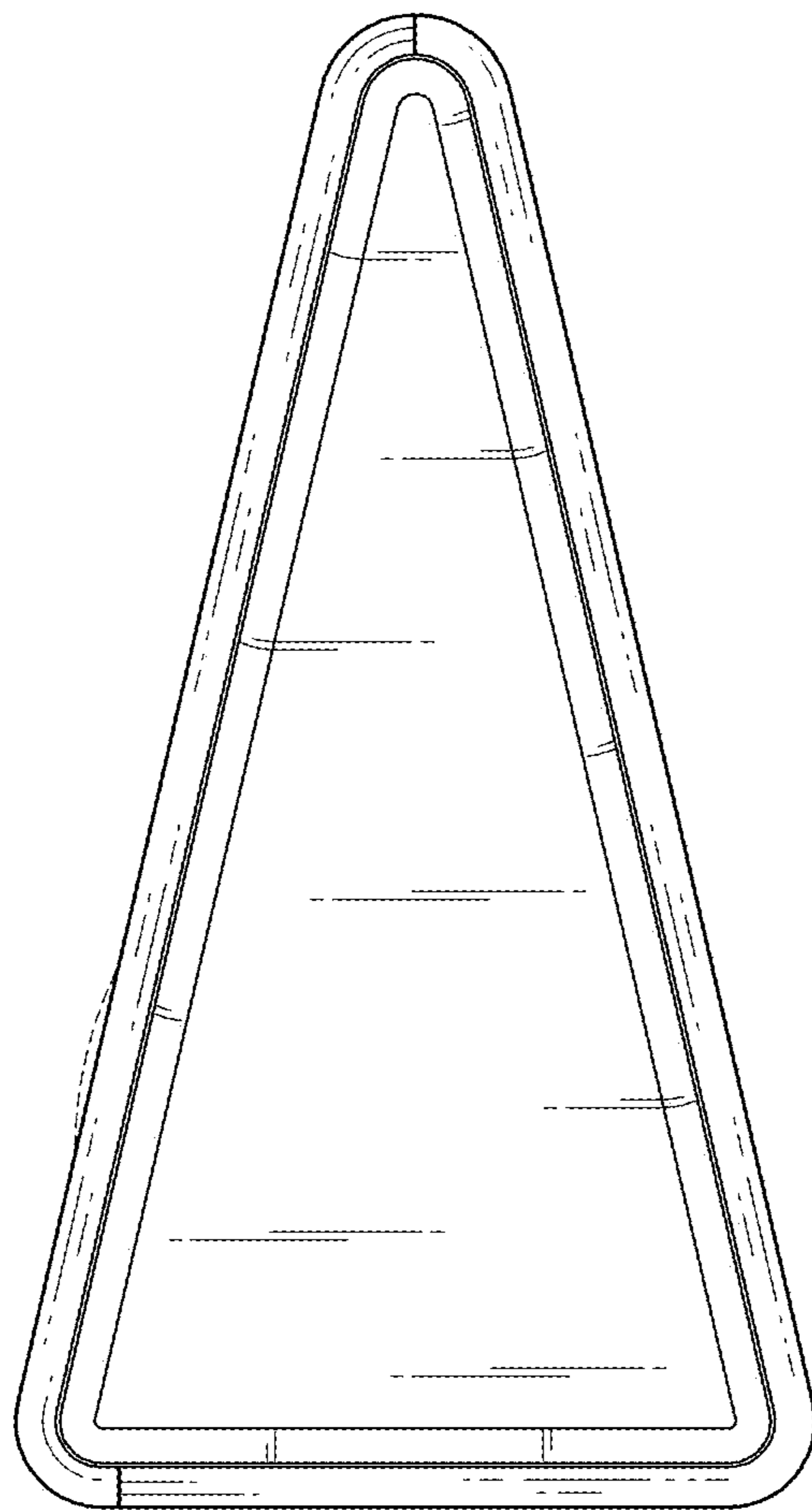
1.3



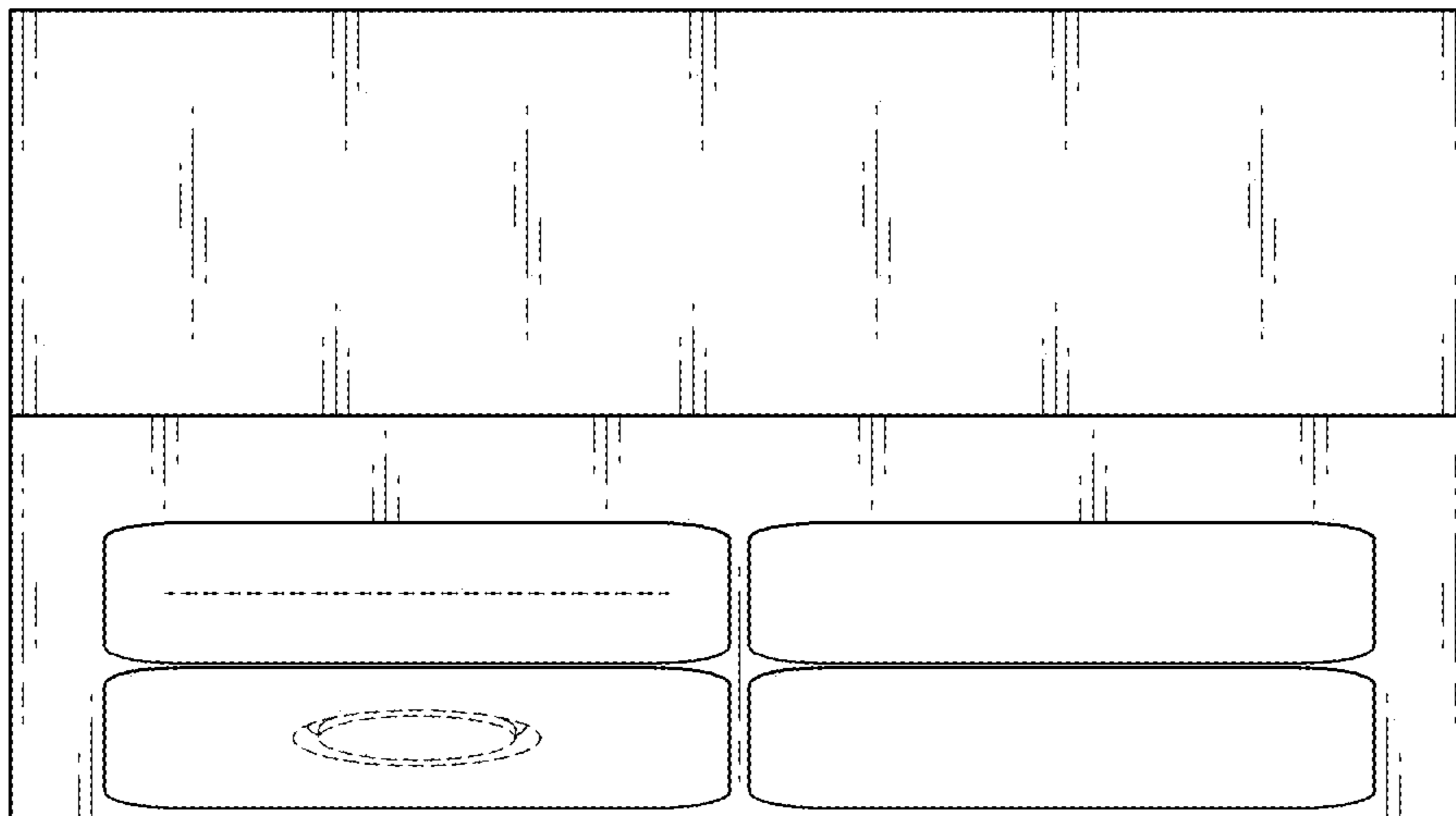
1.4



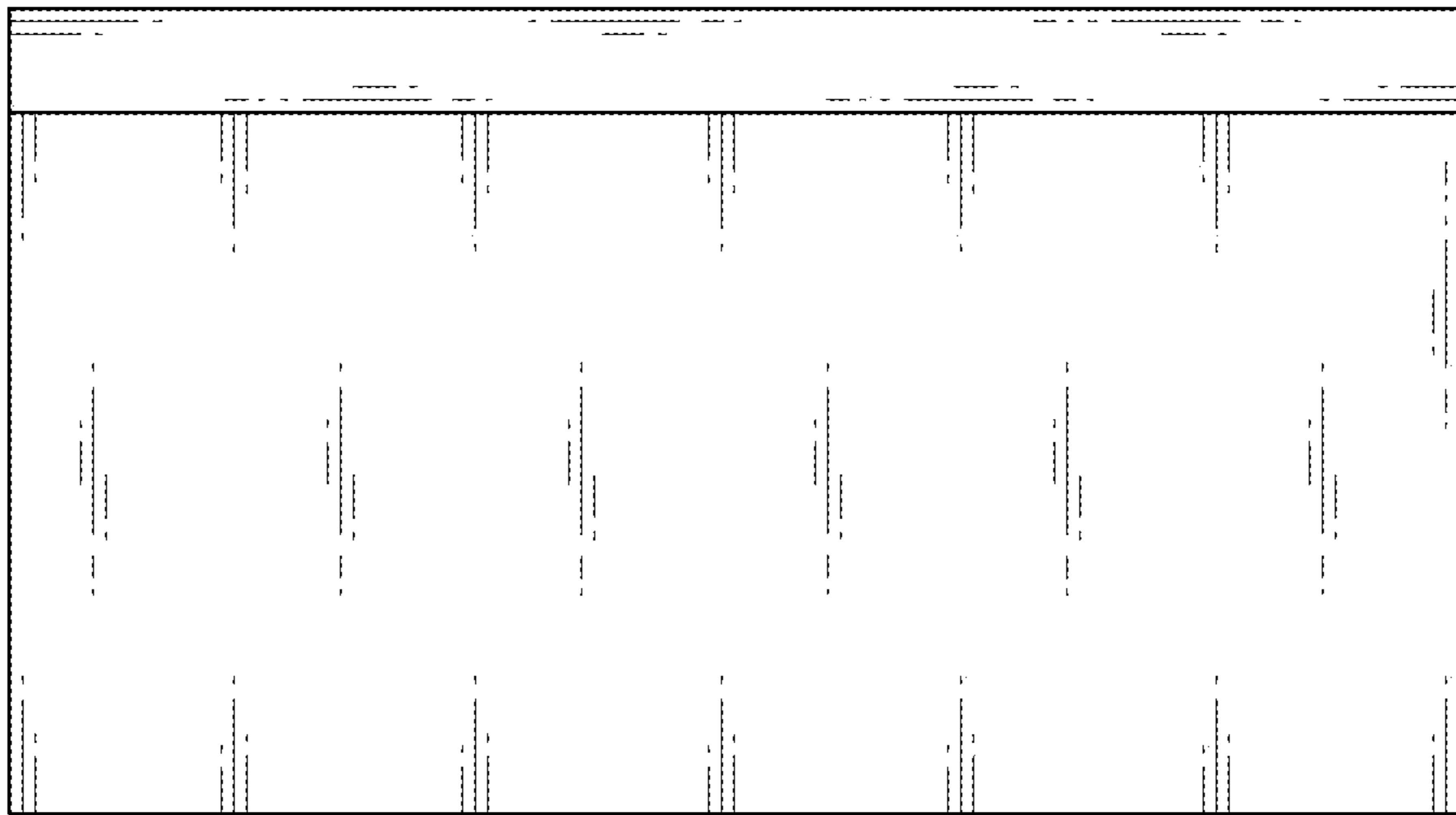
1.5



1.6



1.7





1.8

