



US00D826754S

(12) **United States Design Patent**
Tam

(10) **Patent No.:** **US D826,754 S**

(45) **Date of Patent:** **** Aug. 28, 2018**

(54) **TESTER**

(71) Applicant: **Jubilee Diamond Instrument Limited,**
Hong Kong (HK)

(72) Inventor: **Kui Lim Tam,** Hong Kong (HK)

(73) Assignee: **Jubilee Diamond Instrument Limited,**
Hong Kong (HK)

(**) Term: **15 Years**

(21) Appl. No.: **29/606,179**

(22) Filed: **Jun. 2, 2017**

(51) **LOC (11) Cl.** **10-04**

(52) **U.S. Cl.**
USPC **D10/83**

(58) **Field of Classification Search**
USPC D10/83, 102

CPC G01N 21/87; G01N 21/88; G01N 21/8803;
G01N 21/8806; G01N 2021/8854; G01N
2021/8858; G01N 33/381; G01N
2223/05; G01J 3/46; G01J 3/461; G01J
3/462; G01J 3/463; G01J 3/465; G01J
2003/466; G01J 2003/467; G01J
2003/468; G01J 3/50; G01J 3/501; G01J
3/502; G01J 2003/503; G01J 3/504; G01J
3/505; G01J 3/506; G01J 2003/507; G01J
3/508; G01J 3/51; G01J 3/513; G01J
2003/516; G01J 4/00; G01J 2004/001;
G01J 2004/002; G01J 2004/004; G01J
2004/005; G01J 2004/007; G01J
2005/0077

See application file for complete search history.

(56) **References Cited**

U.S. PATENT DOCUMENTS

D704,582 S * 5/2014 Muraoka D10/83

* cited by examiner

Primary Examiner — Antoine Duval Davis

(57) **CLAIM**

The ornamental design for a tester, as shown and described.

DESCRIPTION

FIG. 1 is a first perspective view of a tester showing my new design;

FIG. 2 is a second perspective view of FIG. 1;

FIG. 3 is a third perspective view of FIG. 1;

FIG. 4 is a fourth perspective view of FIG. 1;

FIG. 5 is a front elevational view of FIG. 1;

FIG. 6 is a rear elevational view of FIG. 1;

FIG. 7 is a left side view of FIG. 1;

FIG. 8 is a right side view of FIG. 1;

FIG. 9 is a top plan view of FIG. 1;

FIG. 10 is a bottom plan view of FIG. 1;

FIG. 11 is a first perspective view showing the tester in an open state;

FIG. 12 is a second perspective view of FIG. 11;

FIG. 13 is a third perspective view of FIG. 11;

FIG. 14 is a fourth perspective view of FIG. 11;

FIG. 15 is a front elevational view of FIG. 11;

FIG. 16 is a rear elevational view of FIG. 11;

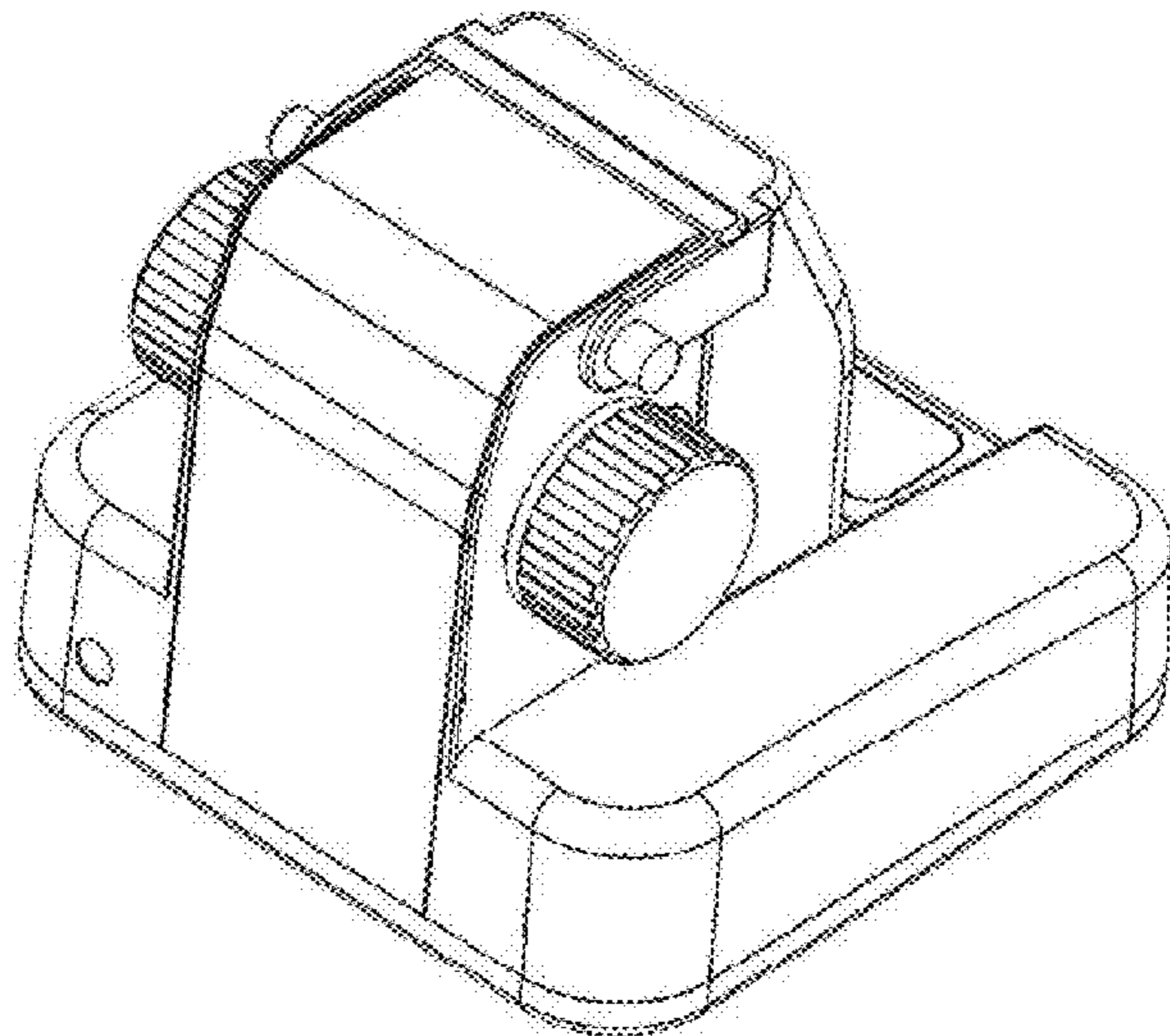
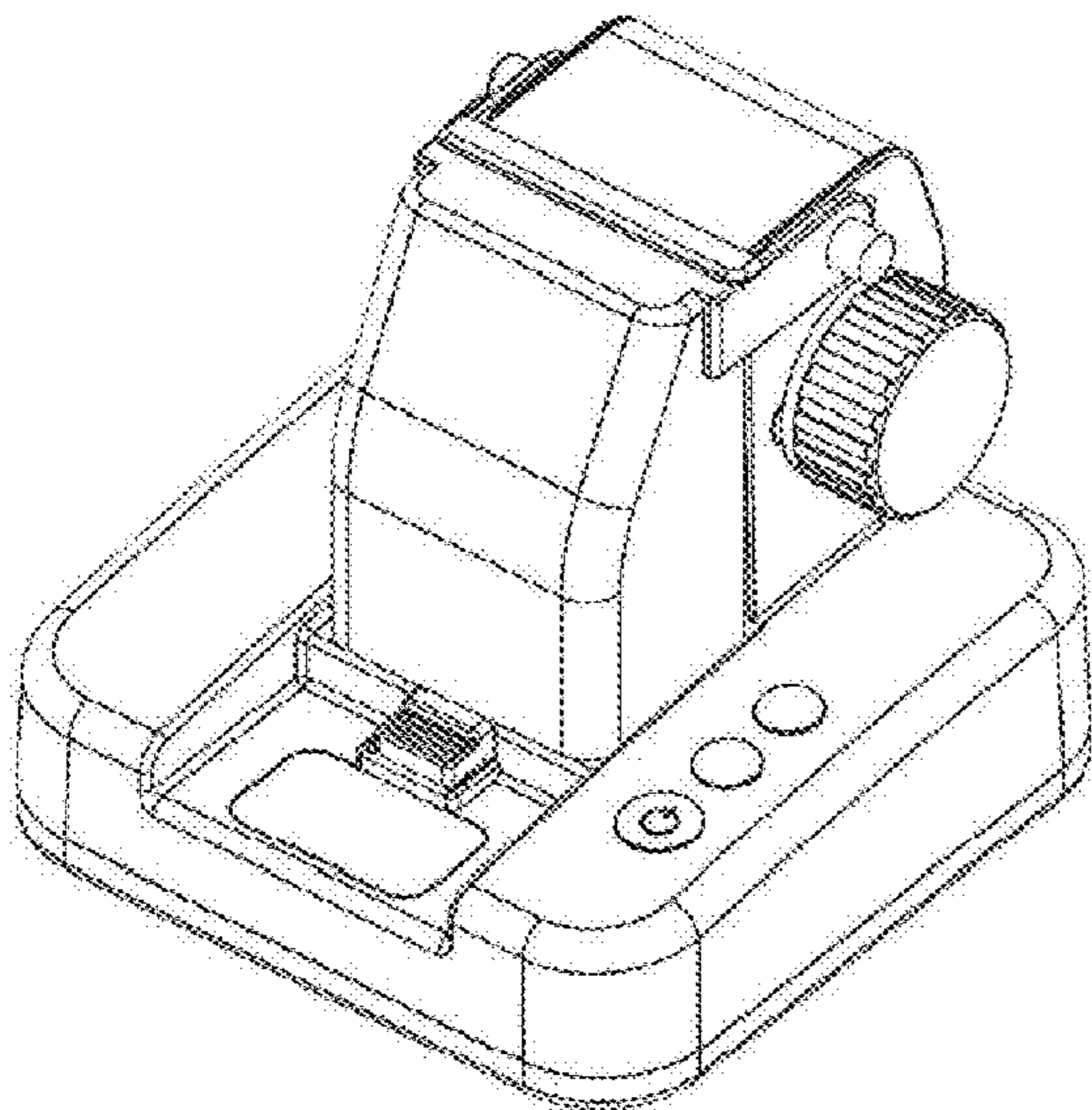
FIG. 17 is a left side view of FIG. 11;

FIG. 18 is a right side view of FIG. 11;

FIG. 19 is a top plan view of FIG. 11; and,

FIG. 20 is a bottom plan view of FIG. 11.

1 Claim, 20 Drawing Sheets



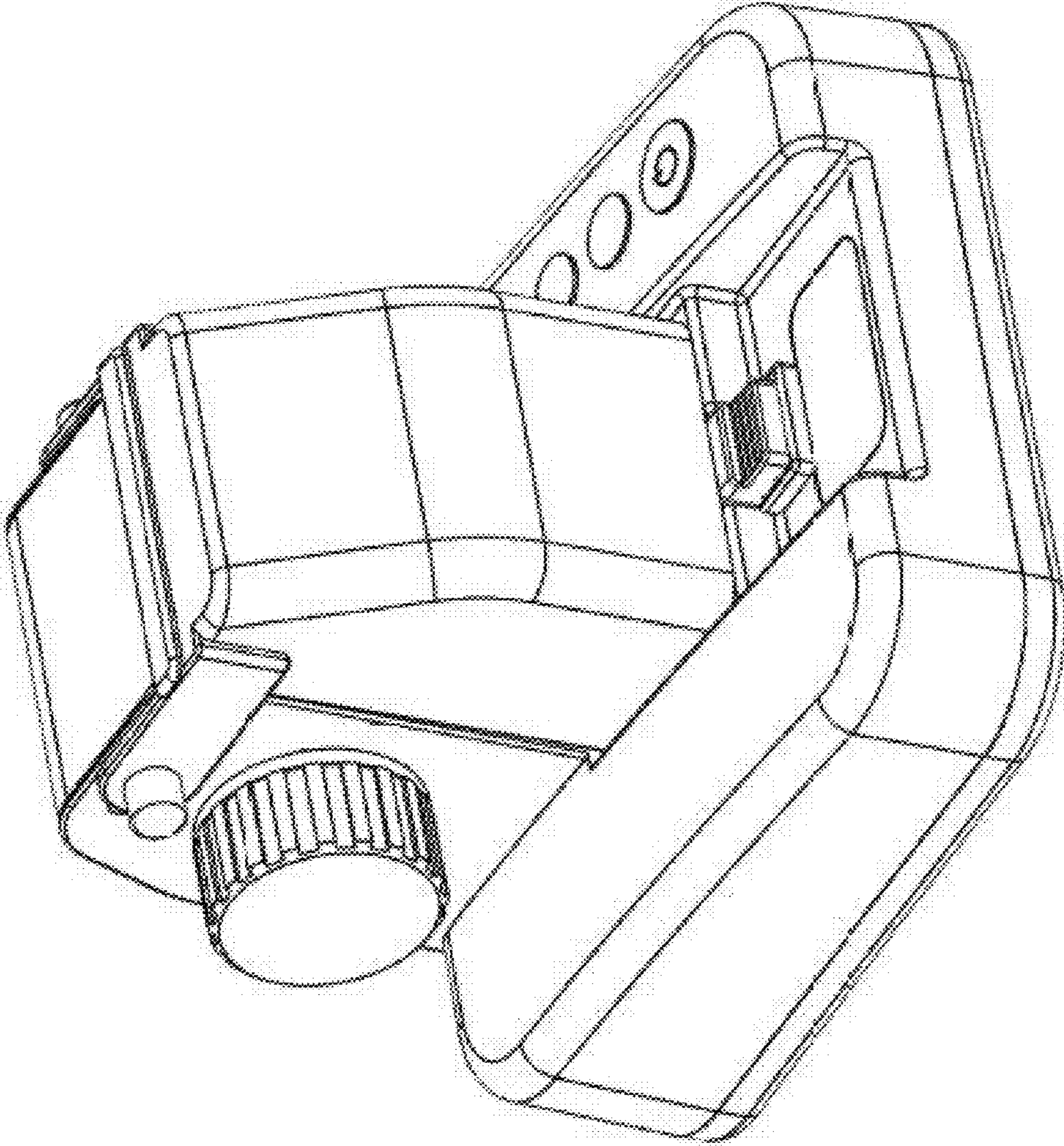


Fig. 1

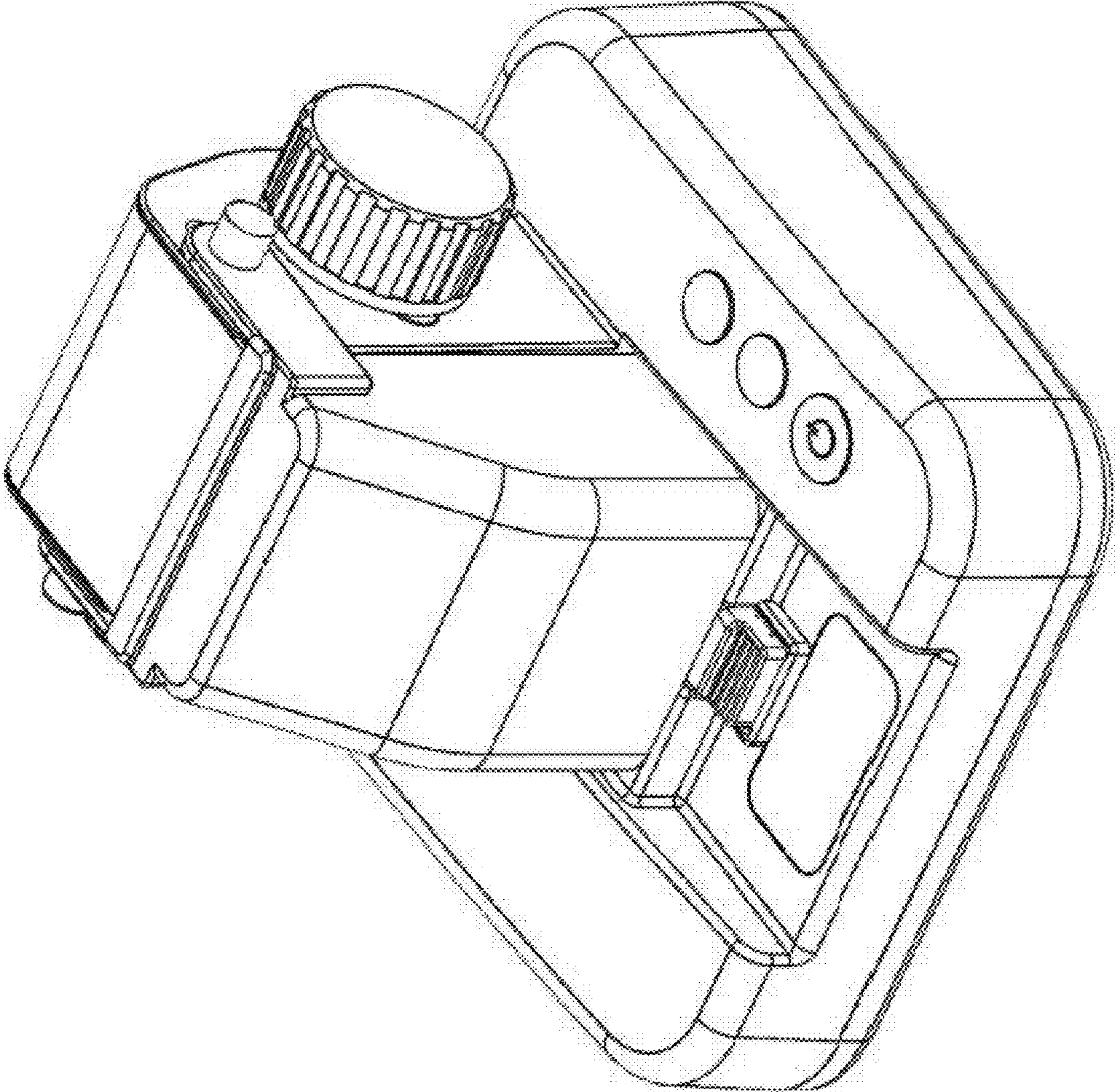


Fig. 2

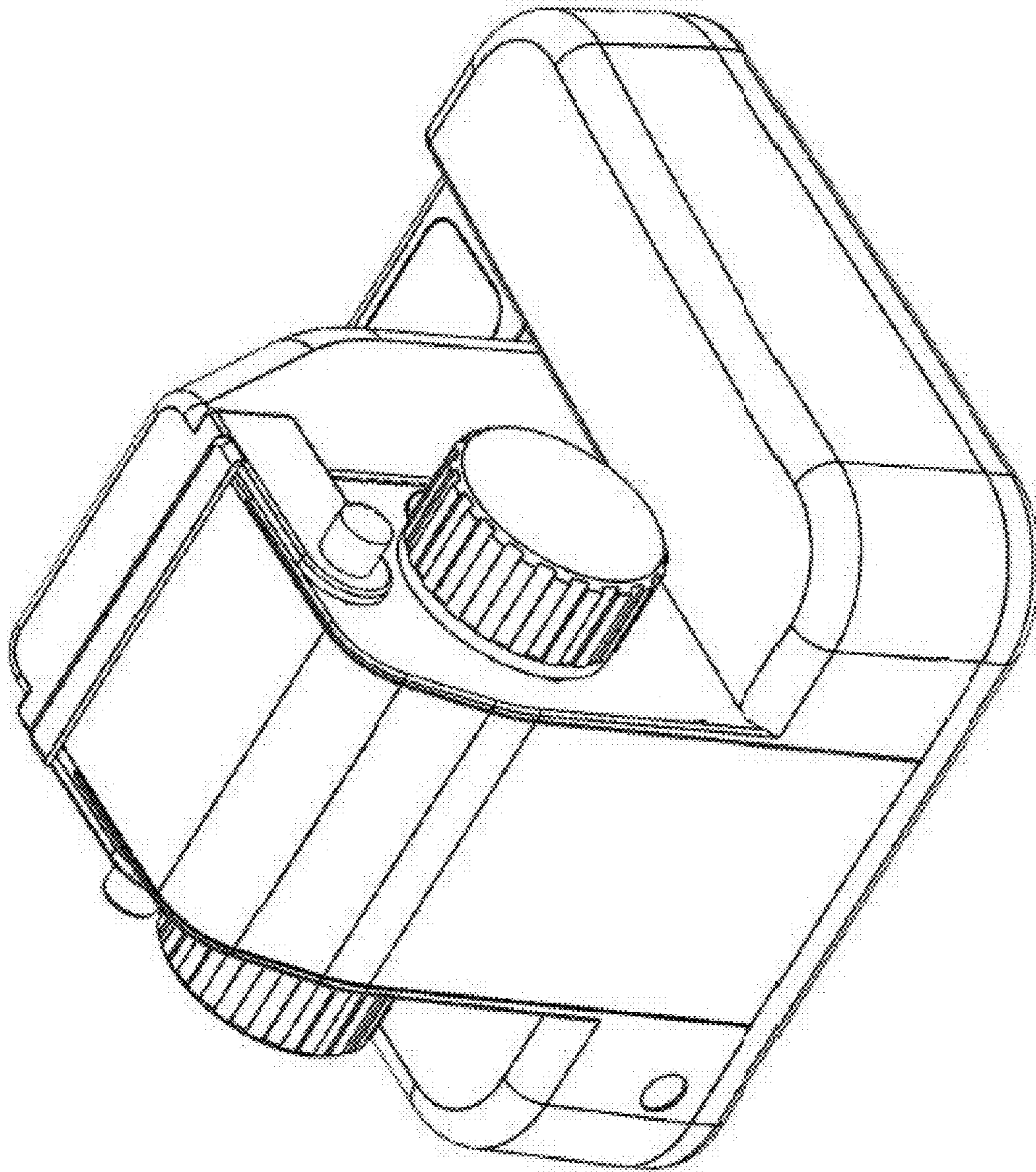


Fig. 3

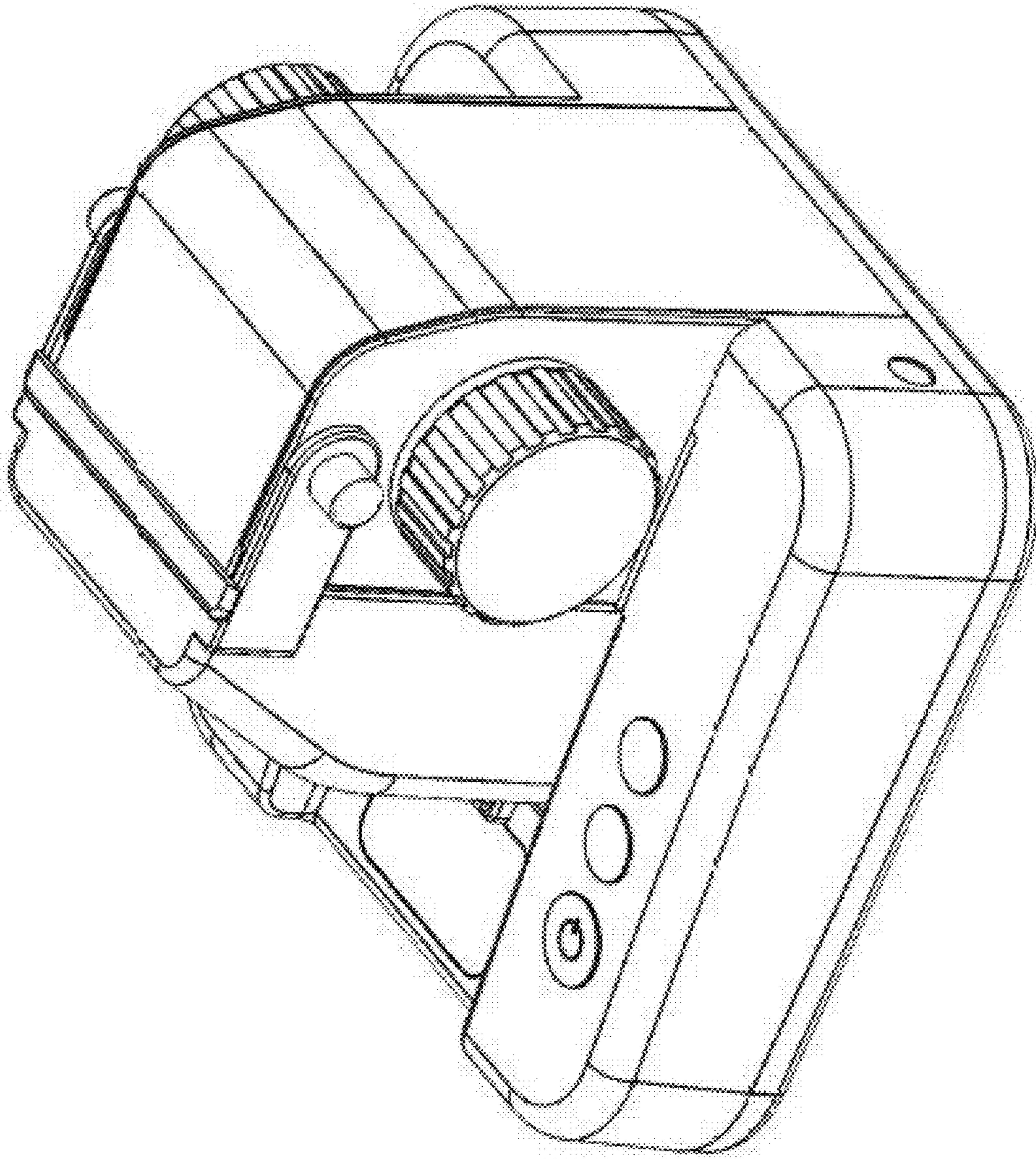


Fig. 4

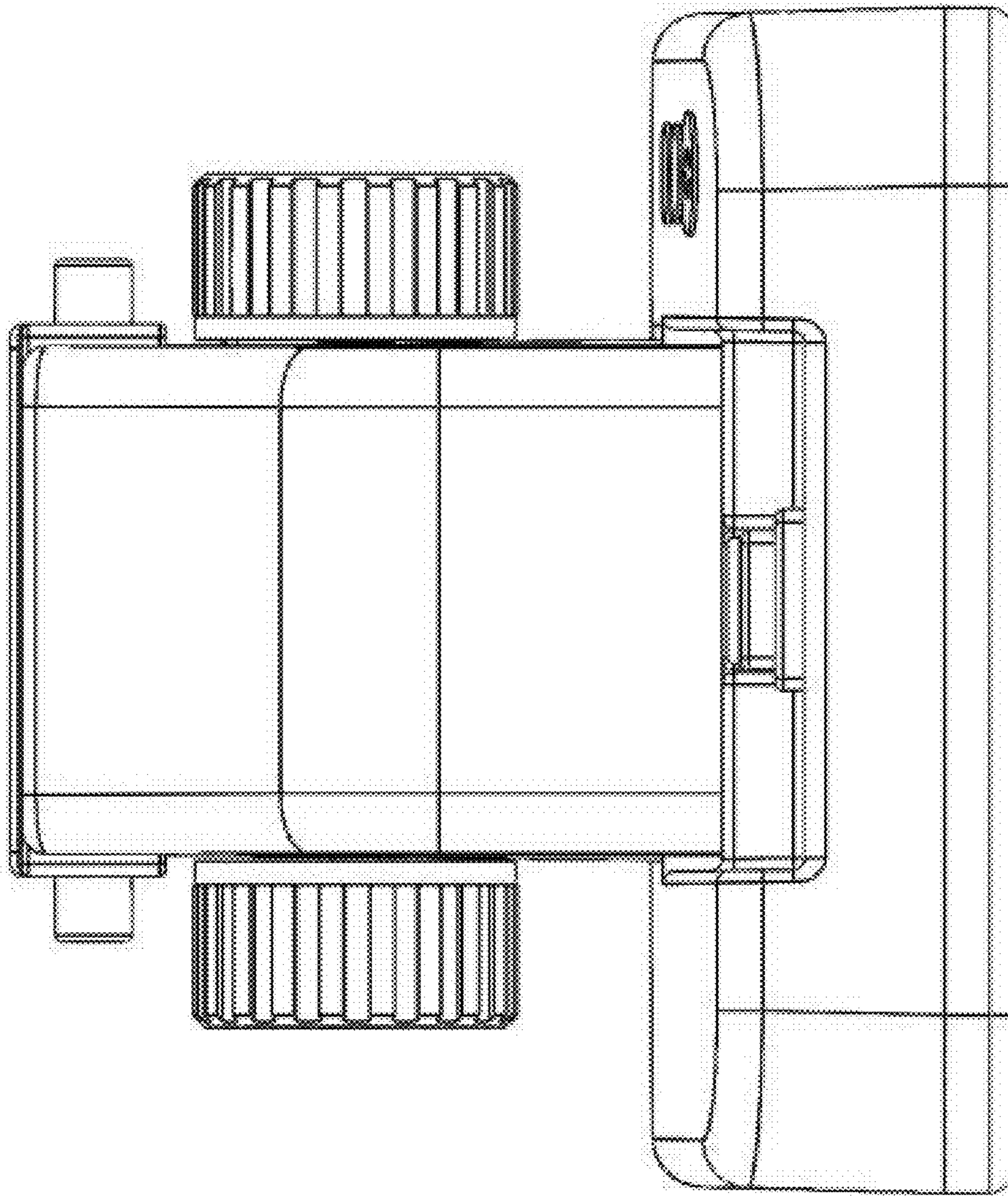


Fig. 5

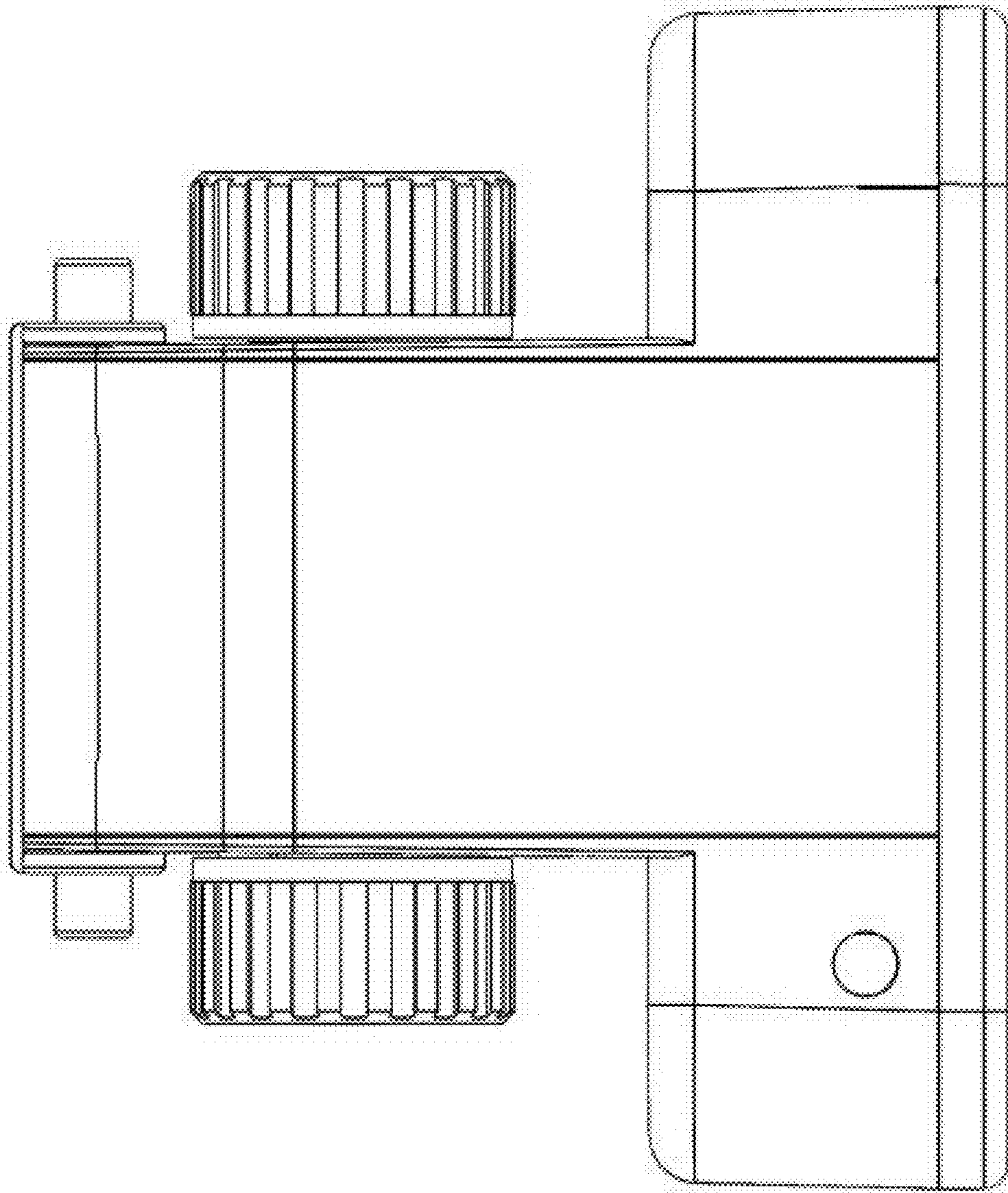


Fig. 6

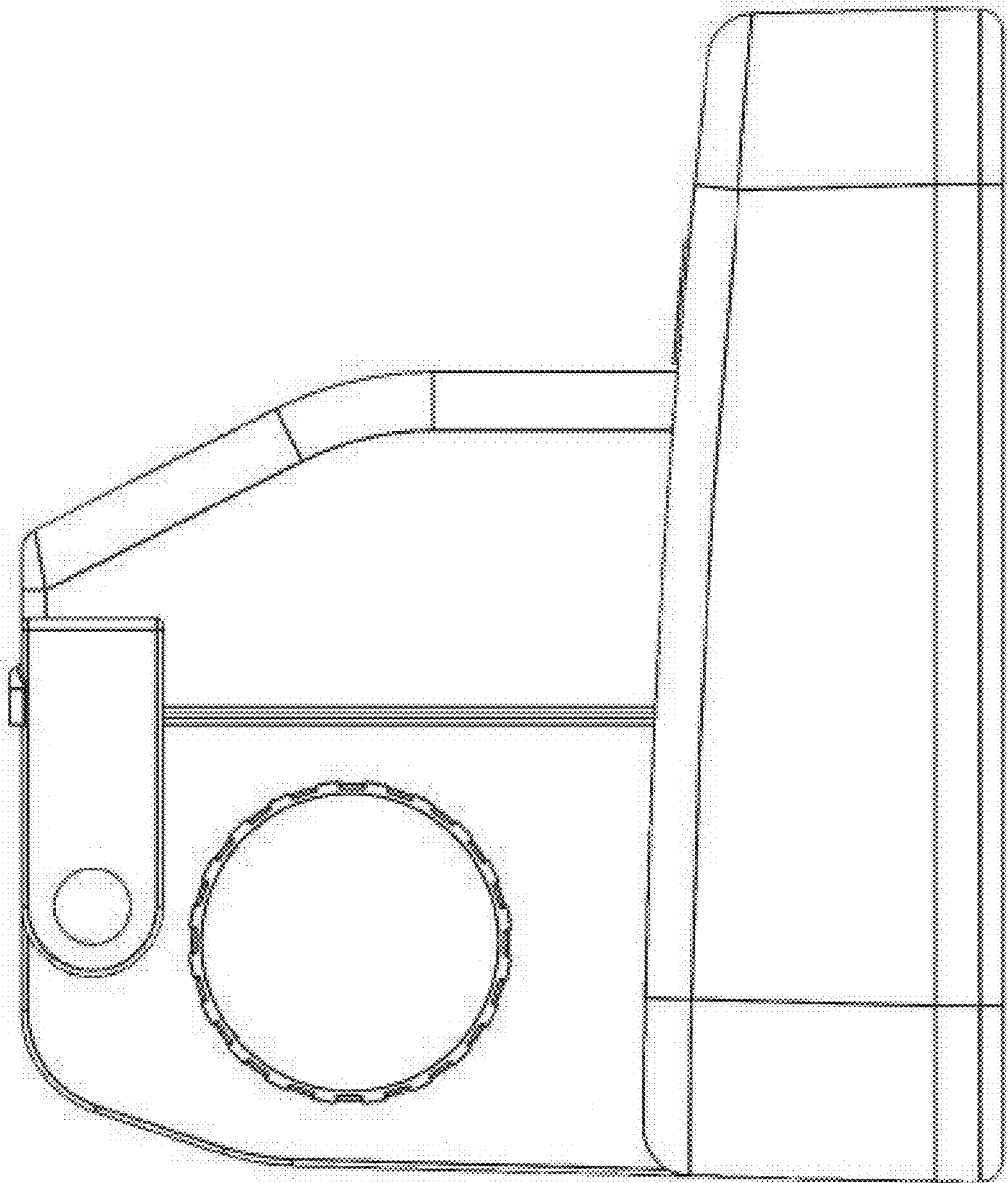


Fig. 7

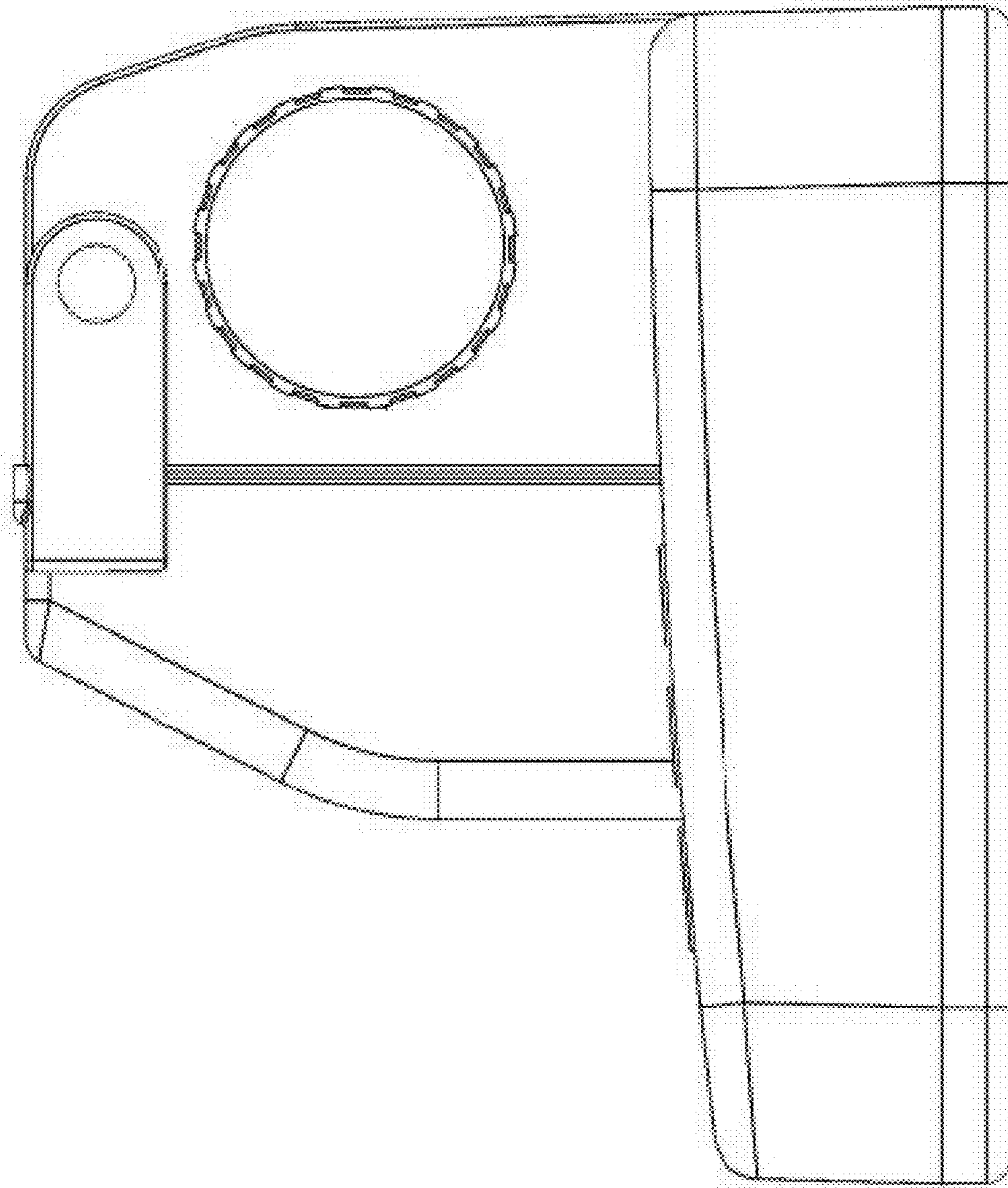


Fig. 8

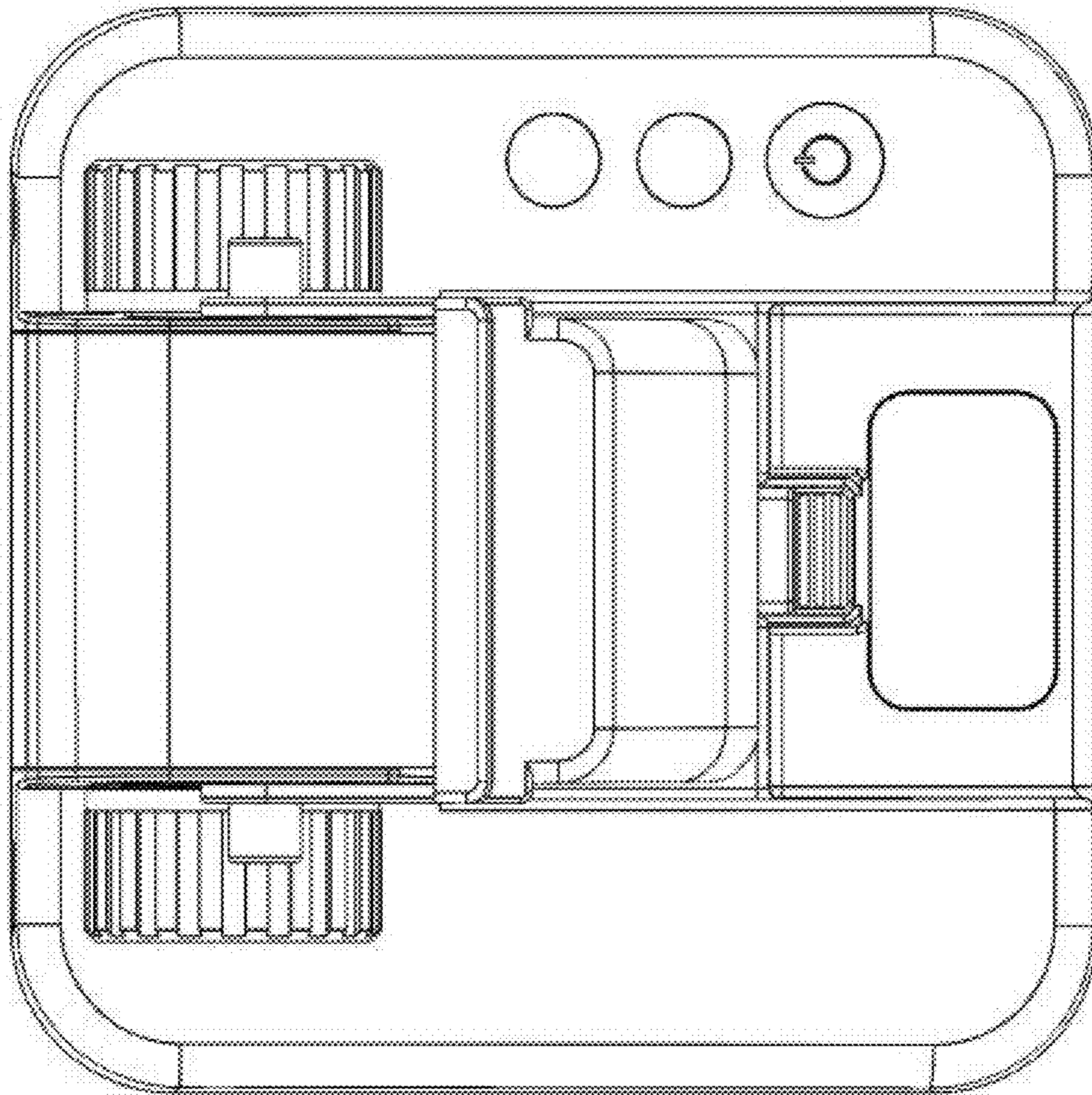


Fig. 9

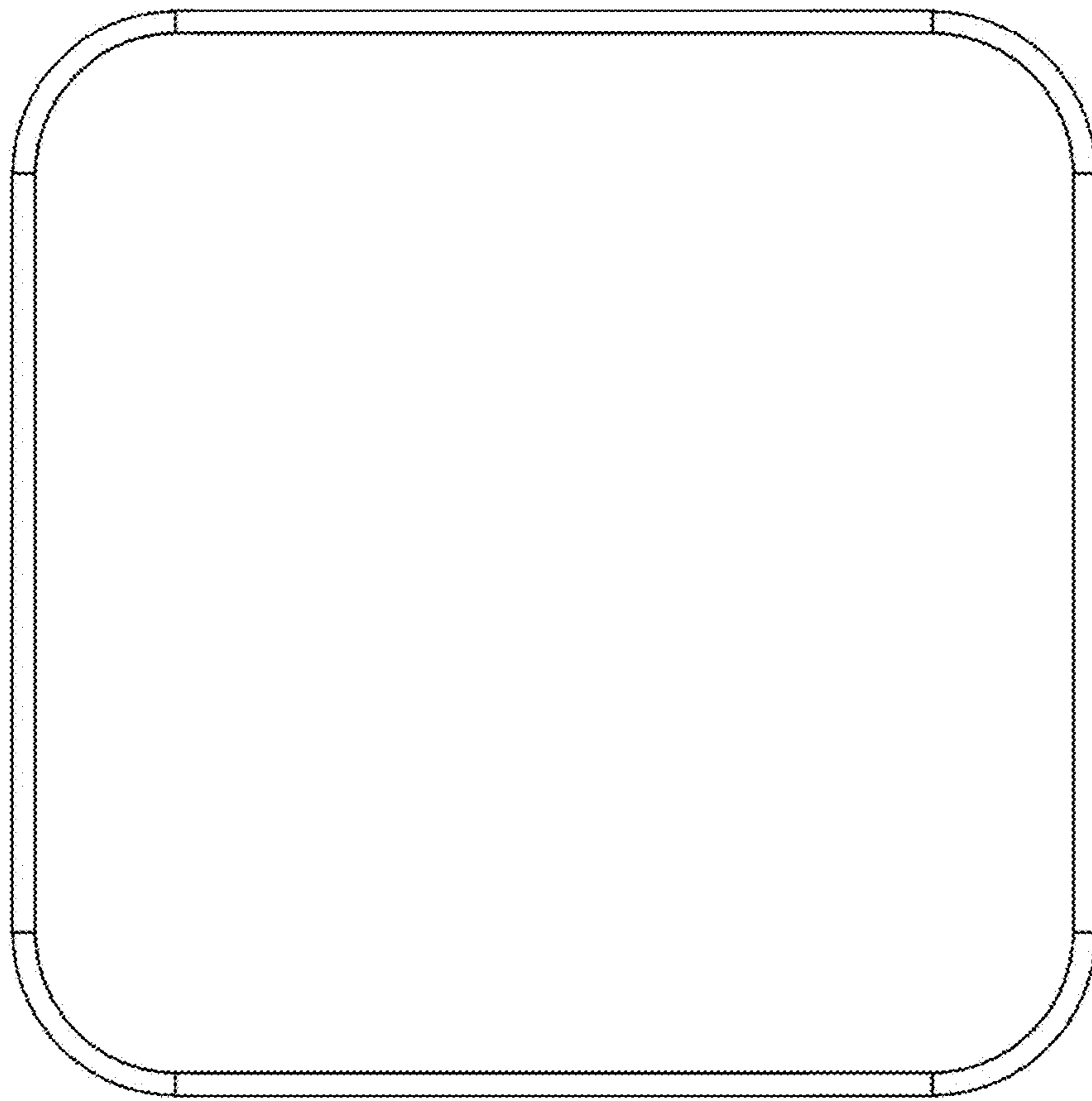


Fig. 10

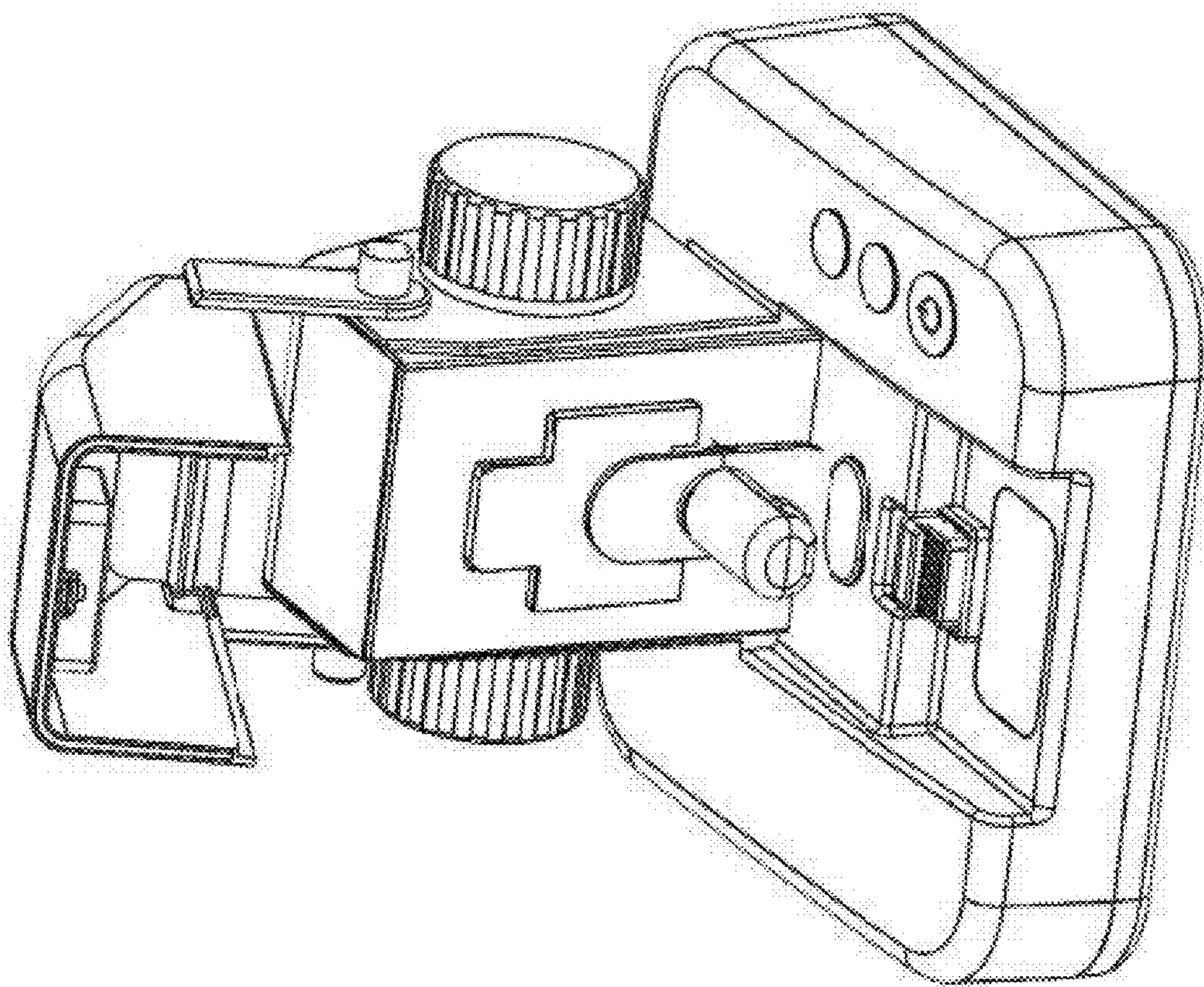


Fig. 11

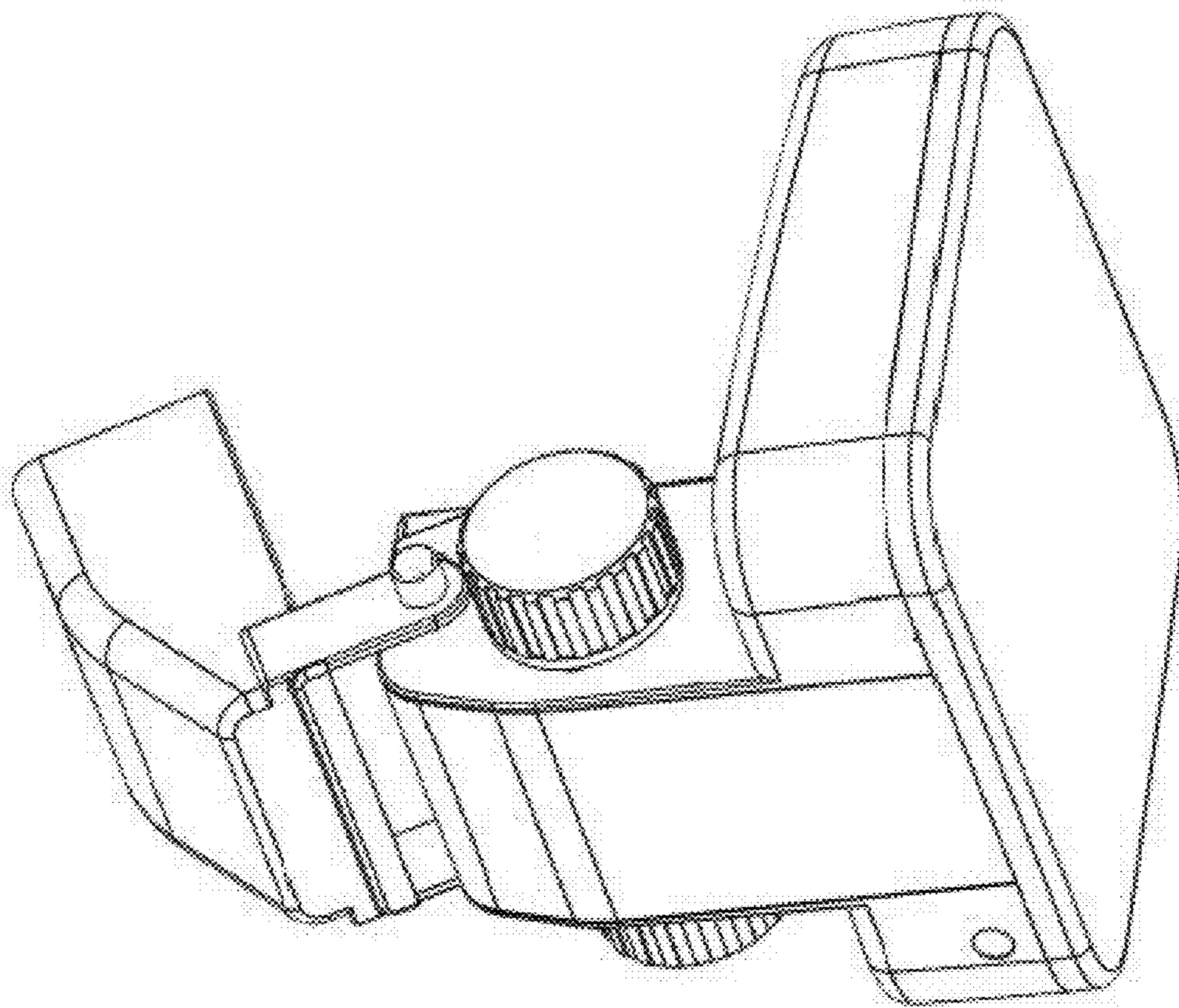


Fig. 12

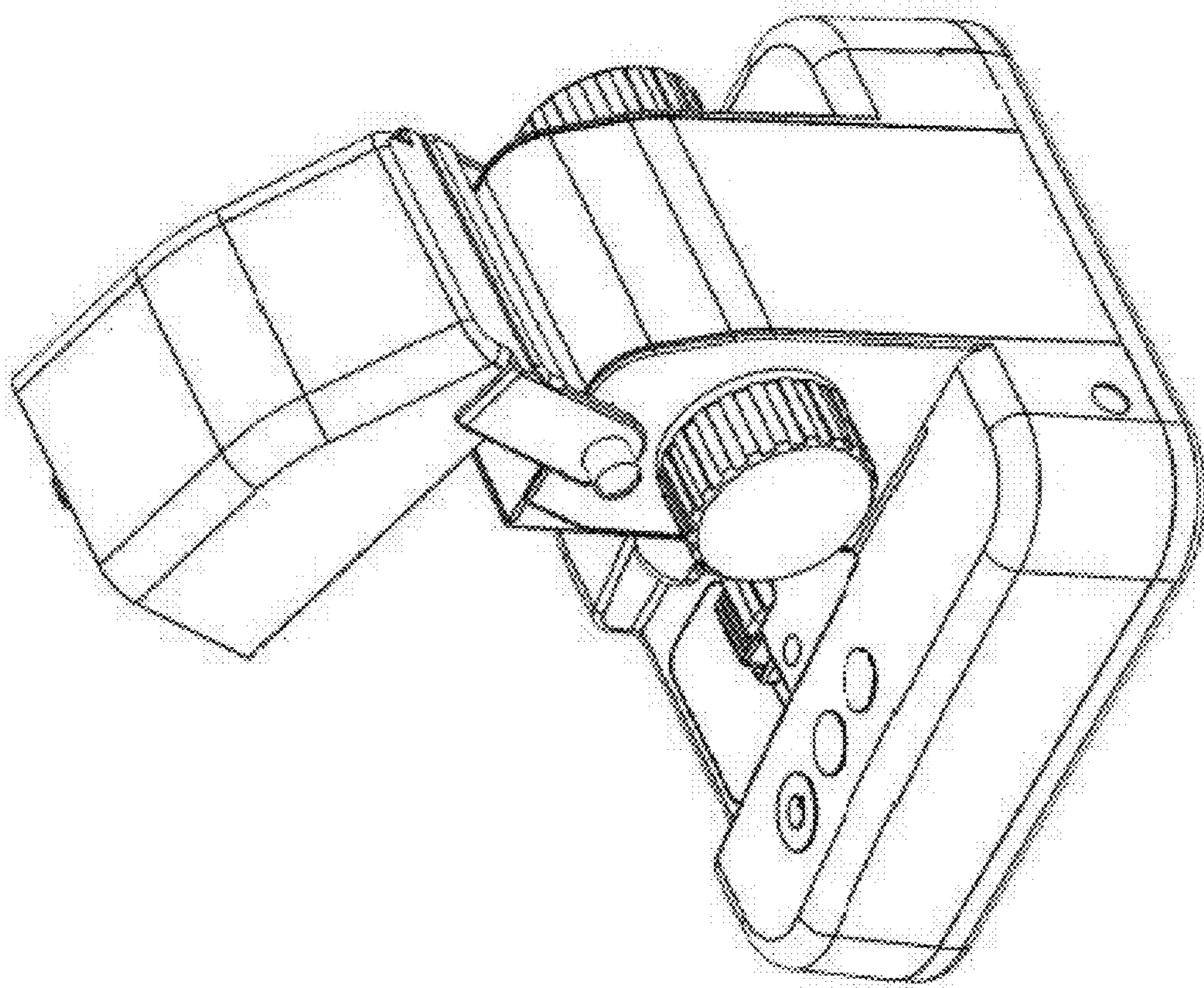


Fig. 13

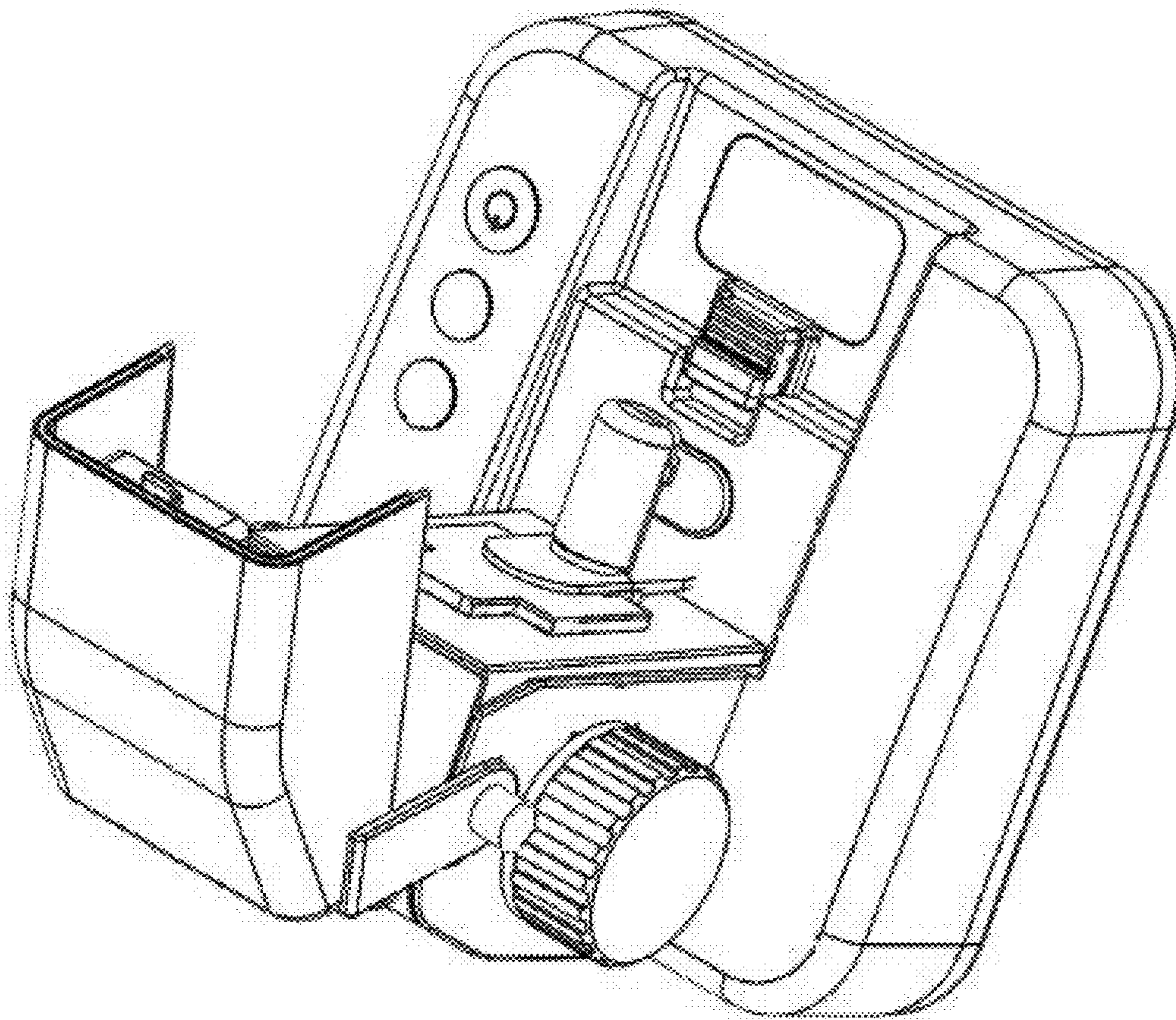


Fig. 14

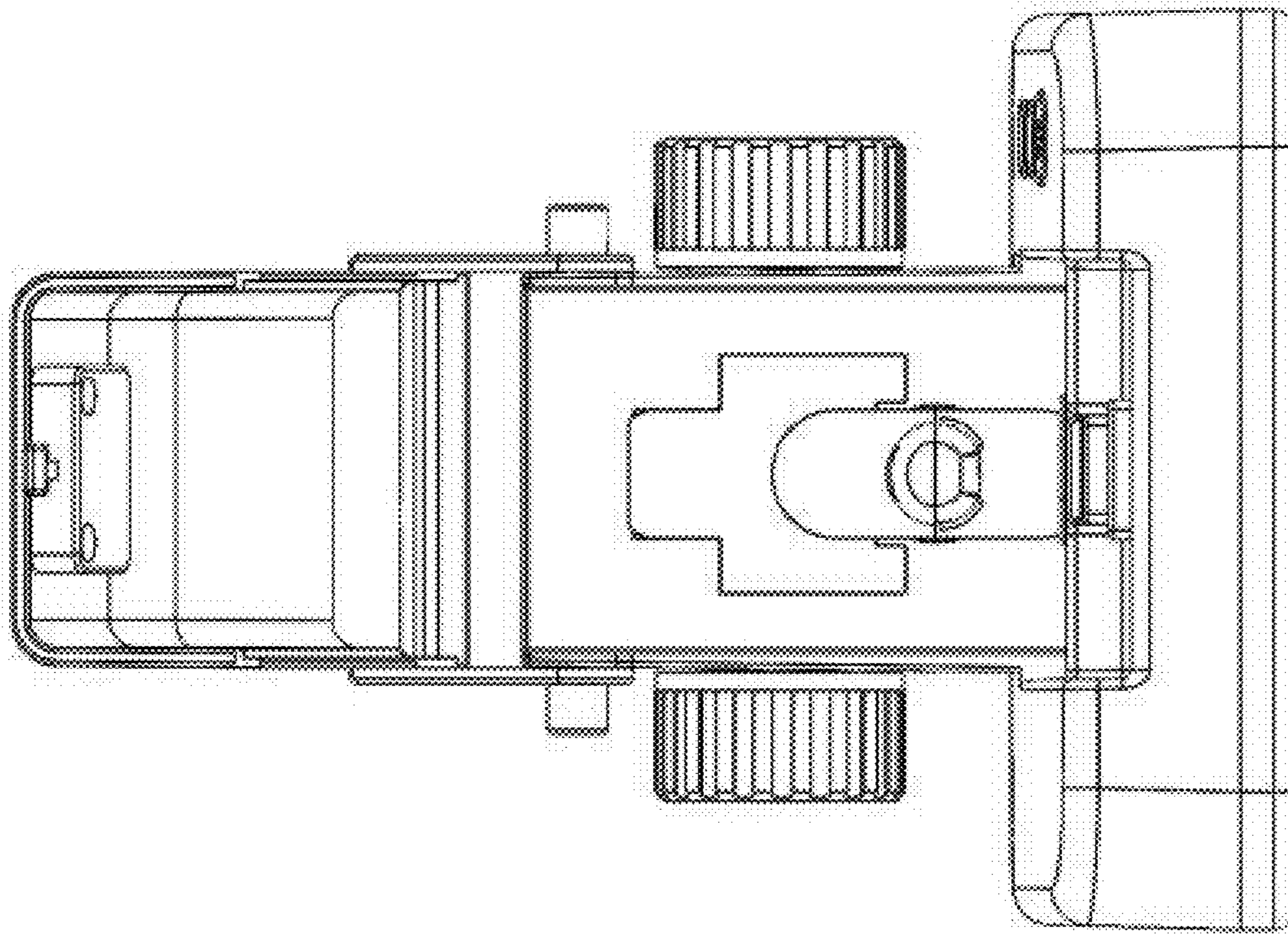


Fig. 15

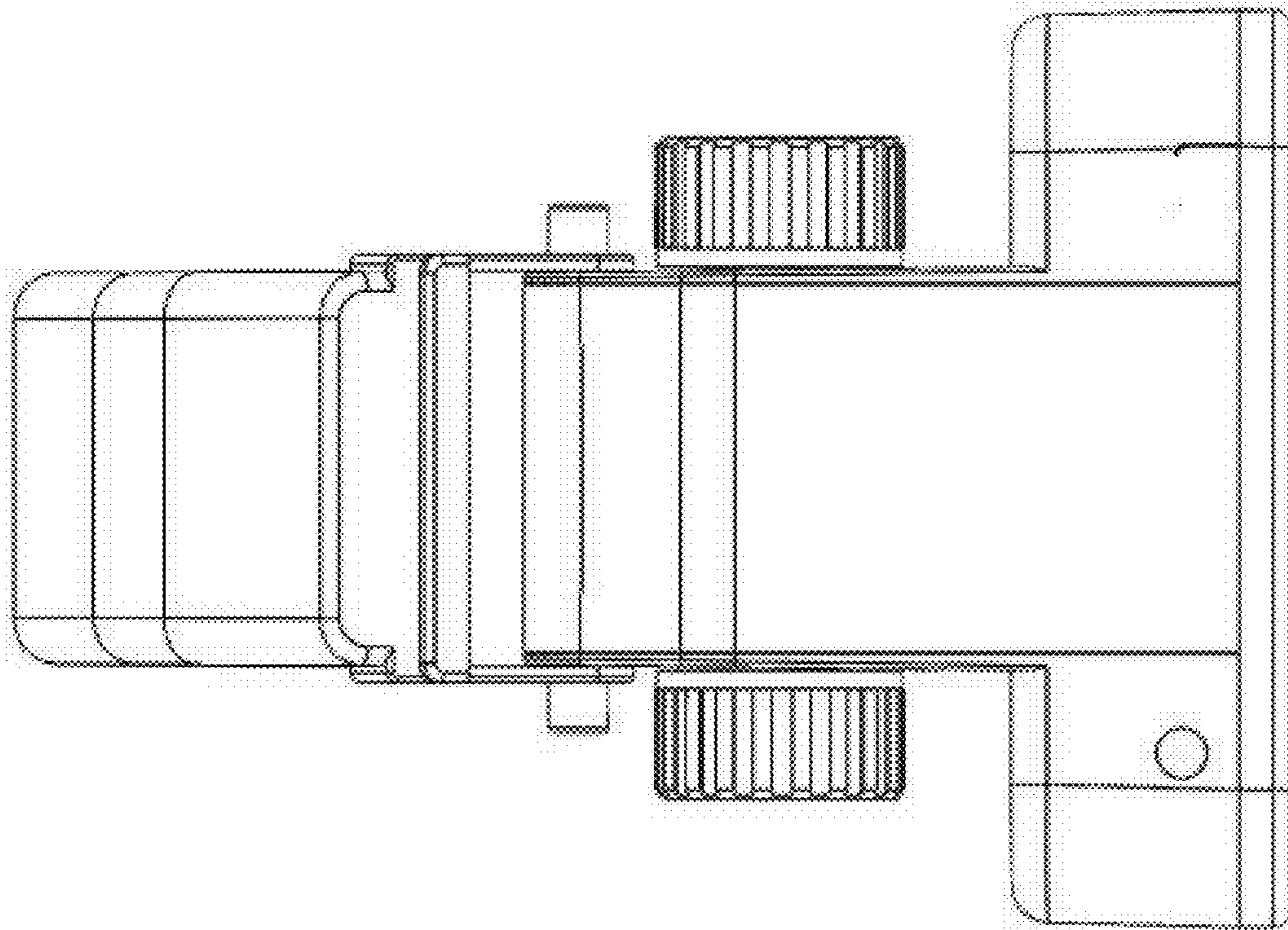


Fig. 16

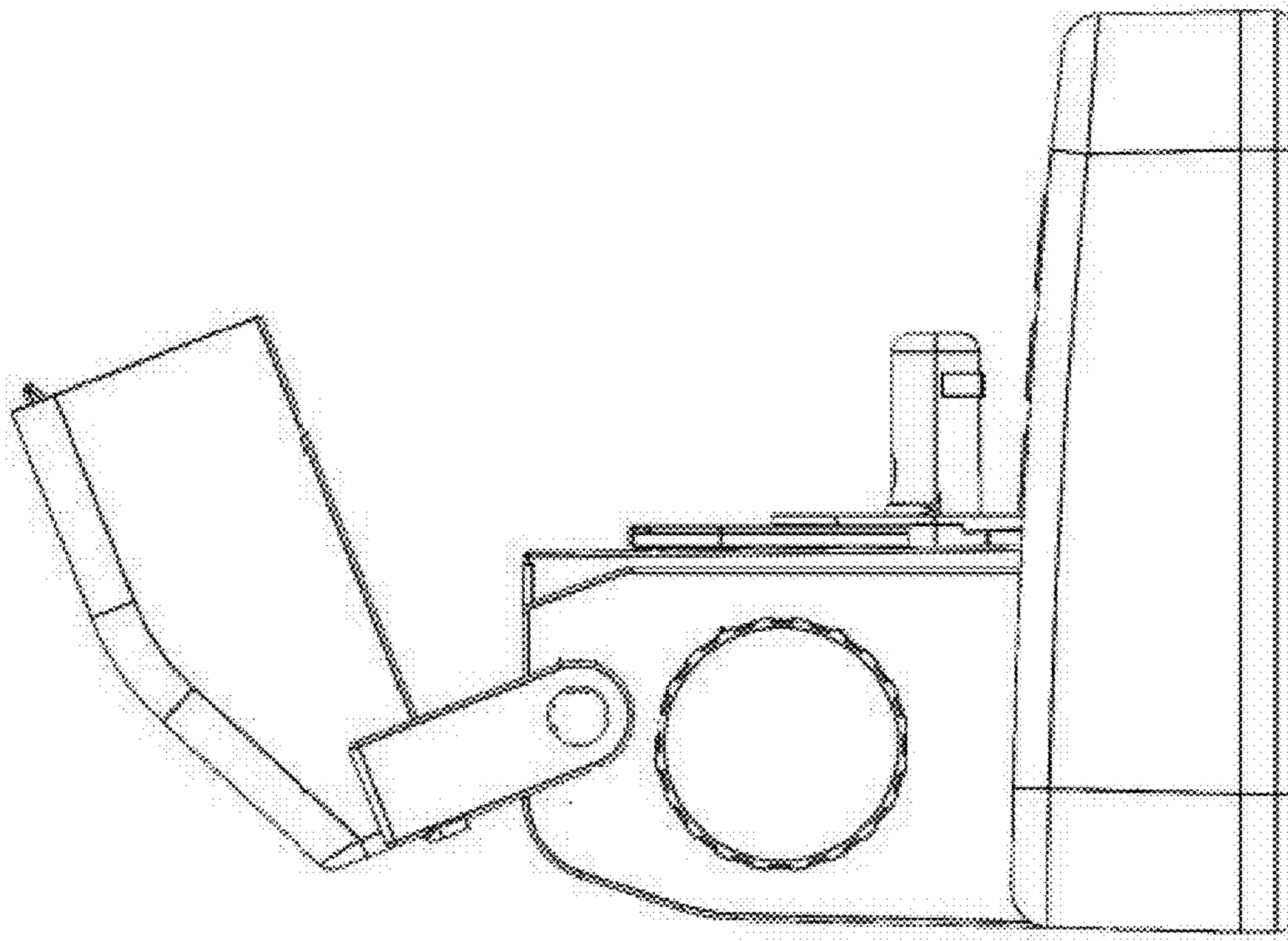


Fig. 17

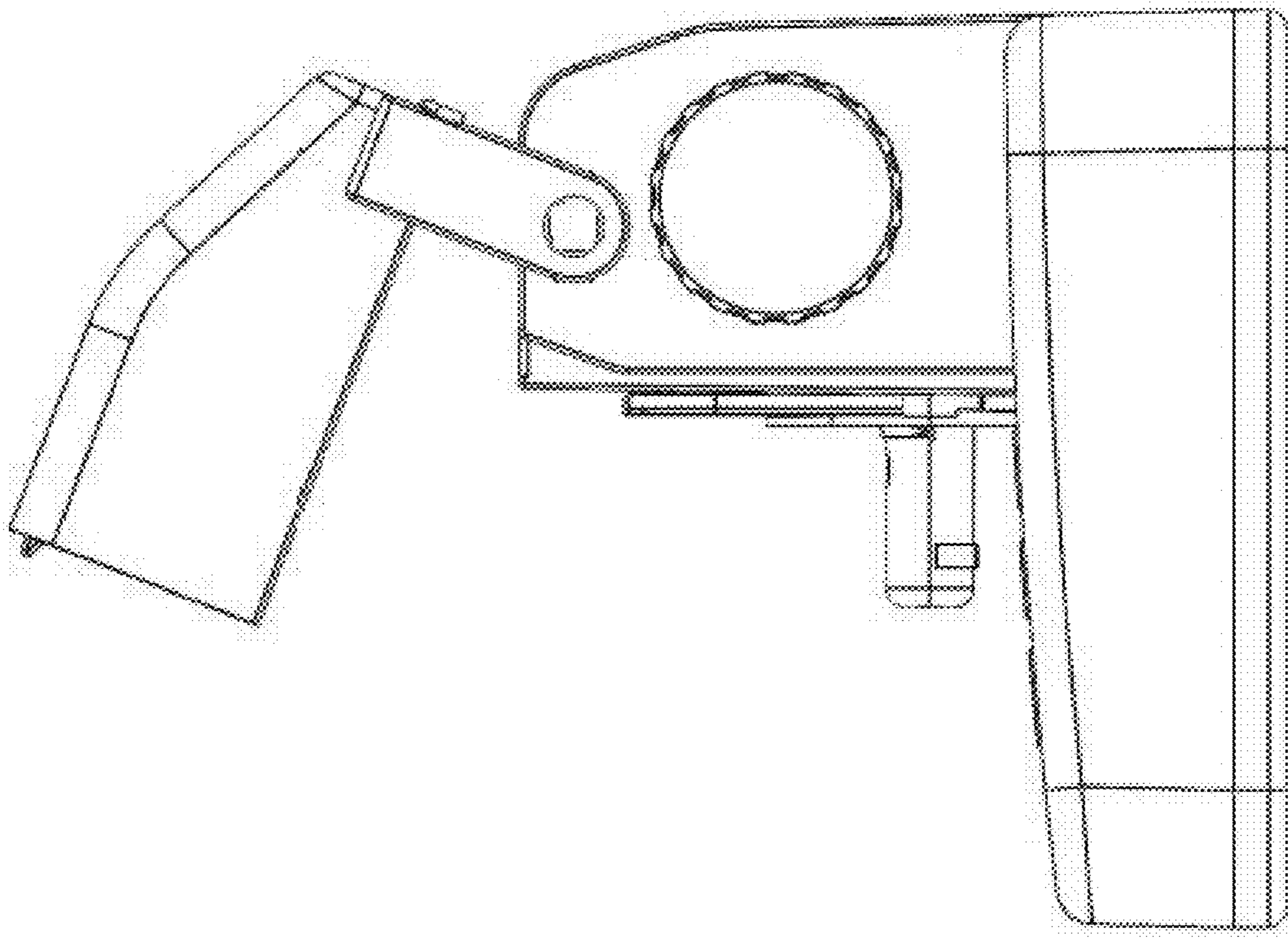


Fig. 18

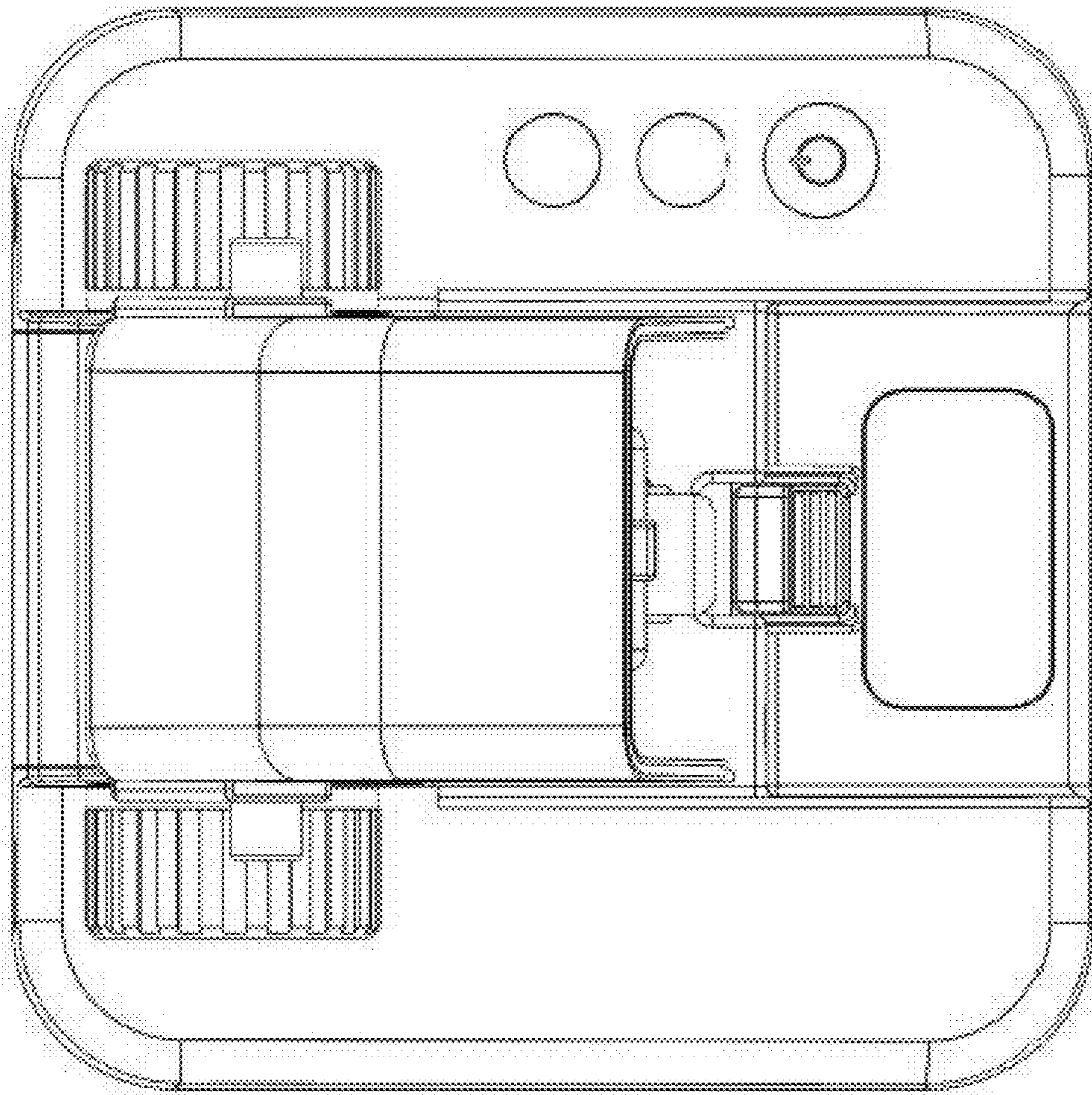


Fig. 19

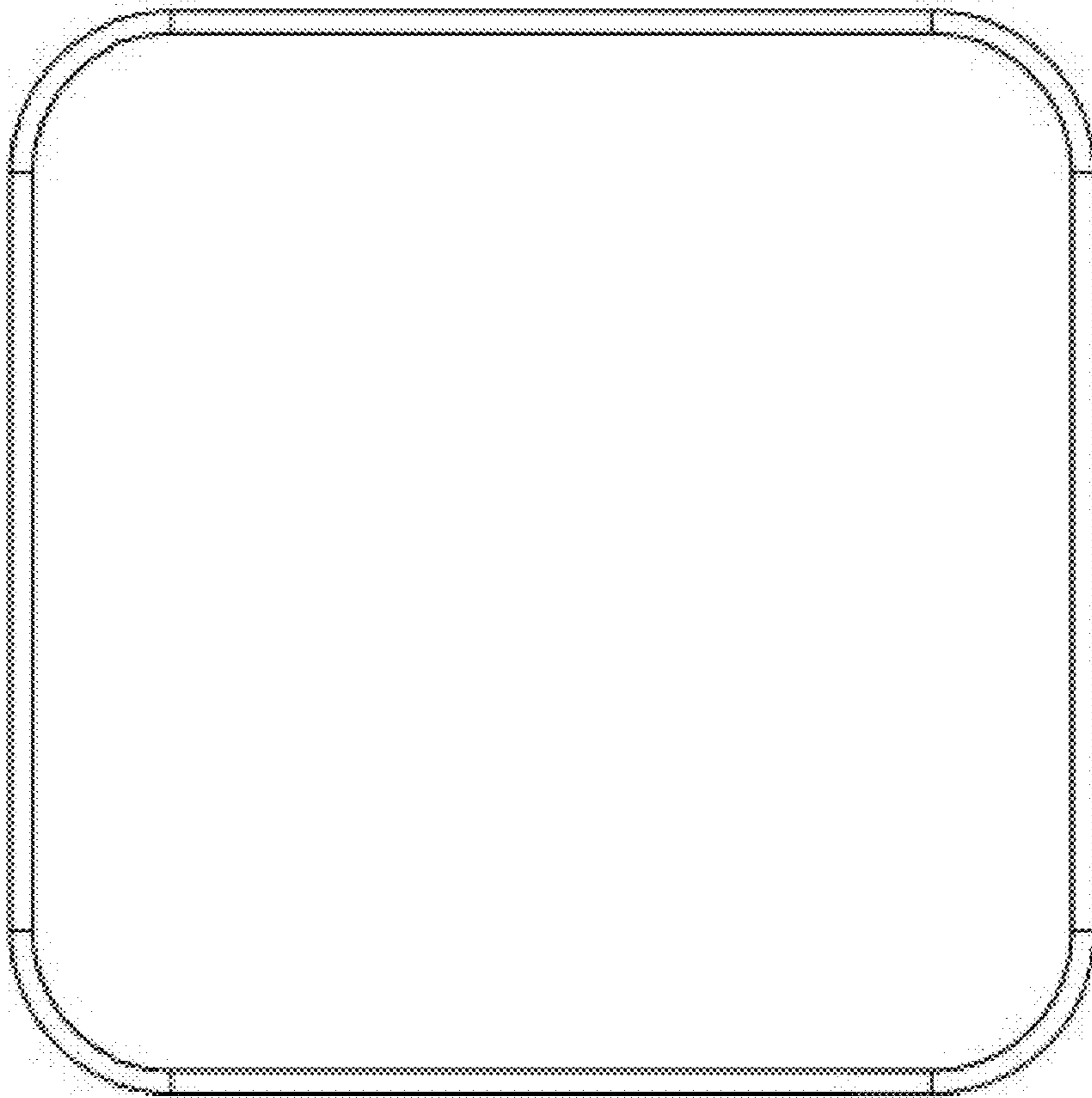


Fig. 20