



US00D826752S

(12) **United States Design Patent** (10) **Patent No.:** **US D826,752 S**  
**Lee et al.** (45) **Date of Patent:** **\*\* Aug. 28, 2018**

(54) **GAS DETECTOR**

2201/0227; G01N 2201/0228; G01N  
2201/024; G01N 2201/0245

(71) Applicant: **LG ELECTRONICS INC.**, Seoul  
(KR)

See application file for complete search history.

(72) Inventors: **Hophil Lee**, Seoul (KR); **Kyoungjoung Kim**, Seoul (KR); **Bonghui Kang**, Seoul (KR)

(56) **References Cited**

U.S. PATENT DOCUMENTS

(73) Assignee: **LG ELECTRONICS INC.**, Seoul  
(KR)

D297,317 S *	8/1988	Taylor .....	D10/106.2
D319,596 S *	9/1991	Krolopp .....	D10/81
D457,456 S *	5/2002	Holland .....	D10/106.2
D494,879 S *	8/2004	Andrews .....	D10/81
D498,765 S *	11/2004	Nakazato .....	D10/81
D500,256 S *	12/2004	Cutler .....	D10/81
D566,594 S *	4/2008	Owen .....	D10/81
D575,650 S *	8/2008	Lang .....	D10/81
D577,301 S *	9/2008	Johnson .....	D10/106.1
D669,375 S *	10/2012	Kao .....	D10/78
D671,851 S *	12/2012	Treharne .....	D10/78
D693,254 S *	11/2013	Liu .....	D10/81
D734,187 S *	7/2015	Nakajima .....	D10/81
D758,222 S *	6/2016	Uchiumi .....	D10/81

(\*\*) Term: **15 Years**

(21) Appl. No.: **35/502,242**

(22) Filed: **Jul. 6, 2016**

(Continued)

(80) **Hague Agreement Data**

*Primary Examiner* — Darlington Ly

Int. Filing Date: **Jul. 6, 2016**

(74) *Attorney, Agent, or Firm* — Birch, Stewart, Kolasch & Birch, LLP

Int. Reg. No.: **DM/091700**

Int. Reg. Date: **Jul. 6, 2016**

Int. Reg. Pub. Date: **Jan. 6, 2017**

(57) **CLAIM**

The ornamental design for a gas detector, as shown and described.

(30) **Foreign Application Priority Data**

**DESCRIPTION**

Jan. 7, 2016 (KR) ..... 30-2016-0000707

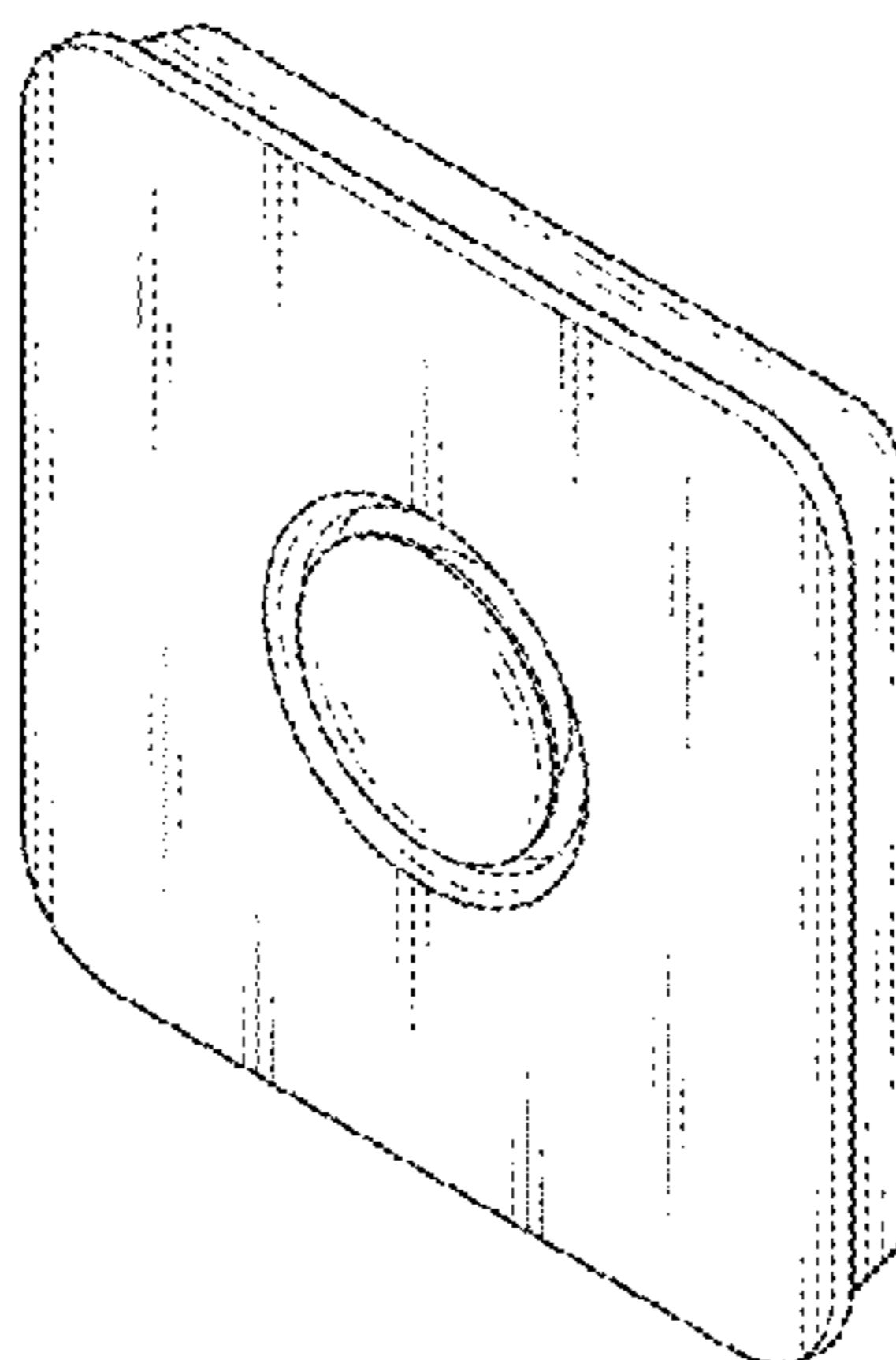
(51) **LOC (11) Cl.** ..... **10-04**

(52) **U.S. Cl.**  
USPC ..... **D10/81**

(58) **Field of Classification Search**  
USPC ..... D10/46, 81, 97, 56, 96, 101; D14/168,  
D14/358; D24/107, 169, 185, 186  
CPC ..... G01N 21/00; G01N 21/01; G01N  
2021/0106; G01N 2201/022; G01N  
2201/0221; G01N 2201/0222; G01N  
2201/0224; G01N 2201/0225; G01N

1. Gas detector
- 1.1 is a front perspective view of a gas detector showing our new design;
- 1.2 is a front elevation view thereof;
- 1.3 is a rear elevation view thereof;
- 1.4 is a left side elevation view thereof;
- 1.5 is a right side elevation view thereof;
- 1.6 is a top plan view thereof;
- 1.7 is a bottom plan view thereof;
- 1.8 is a front perspective view of an exemplary electronic device with the gas detector installed; and
- 1.9 is an exploded front perspective view of the exemplary electronic device shown in 1.8.

(Continued)



The broken lines in the reproductions illustrate portions of the gas detector and an exemplary electronic device that form no part of the claimed design.

**1 Claim, 9 Drawing Sheets**

(56)

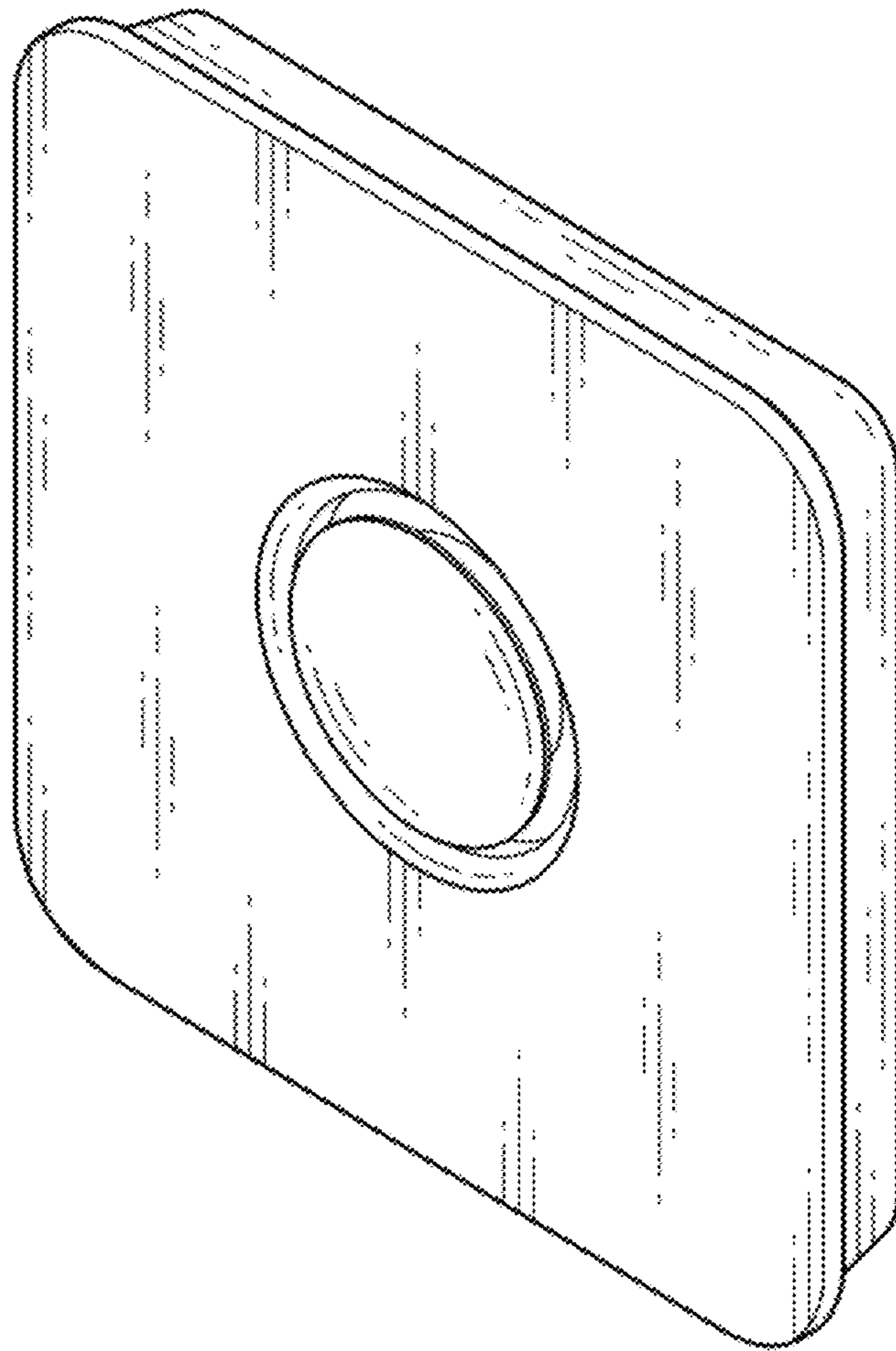
**References Cited**

U.S. PATENT DOCUMENTS

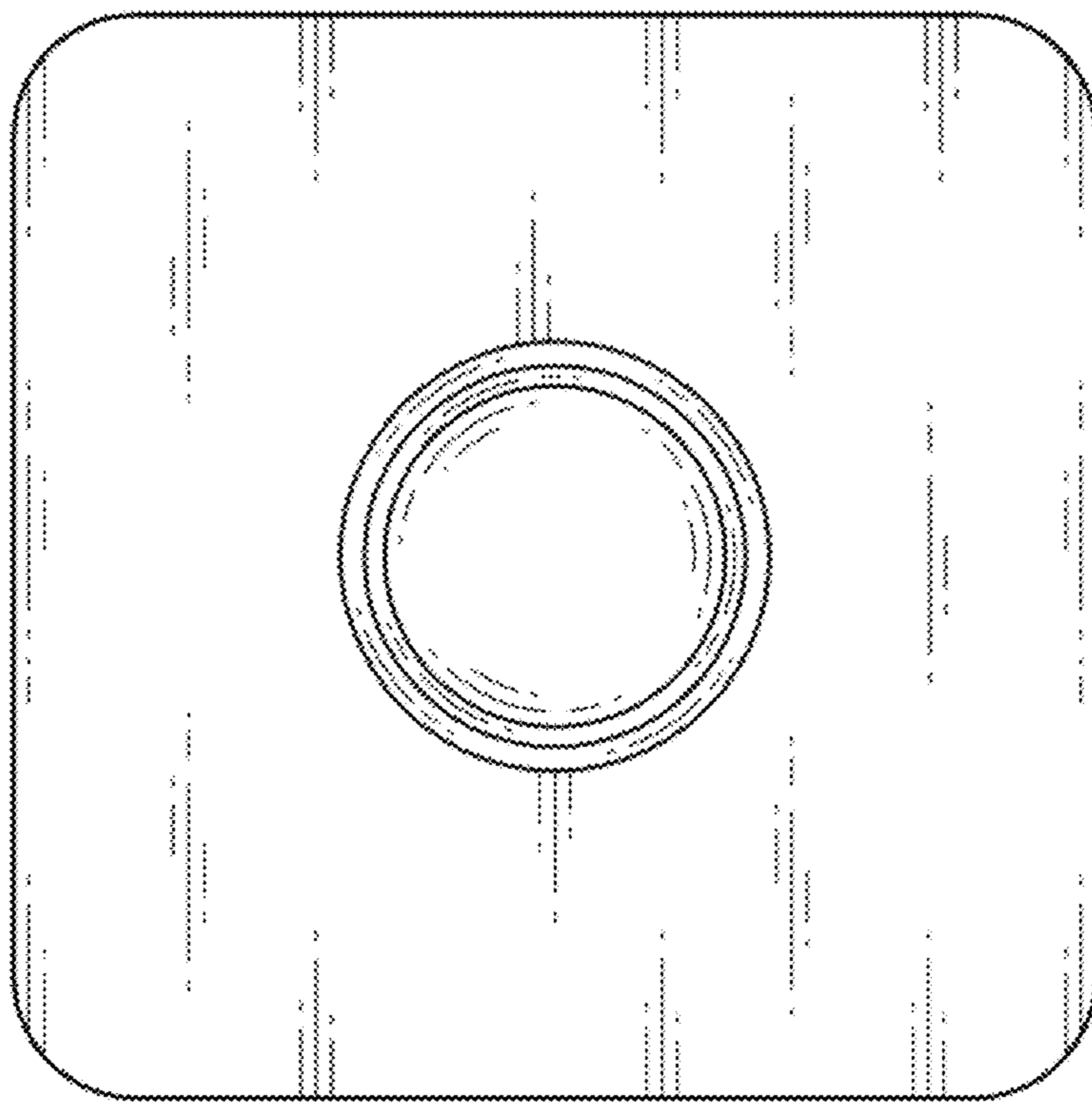
D760,102 S *	6/2016	Frandsen .....	D10/81
D762,503 S *	8/2016	Halbheer .....	D10/81
D773,327 S *	12/2016	Furuya .....	D10/81
D793,258 S *	8/2017	Buber .....	D10/81
D795,723 S *	8/2017	Herbst .....	D10/81
D796,357 S *	9/2017	Park .....	D10/78

\* cited by examiner

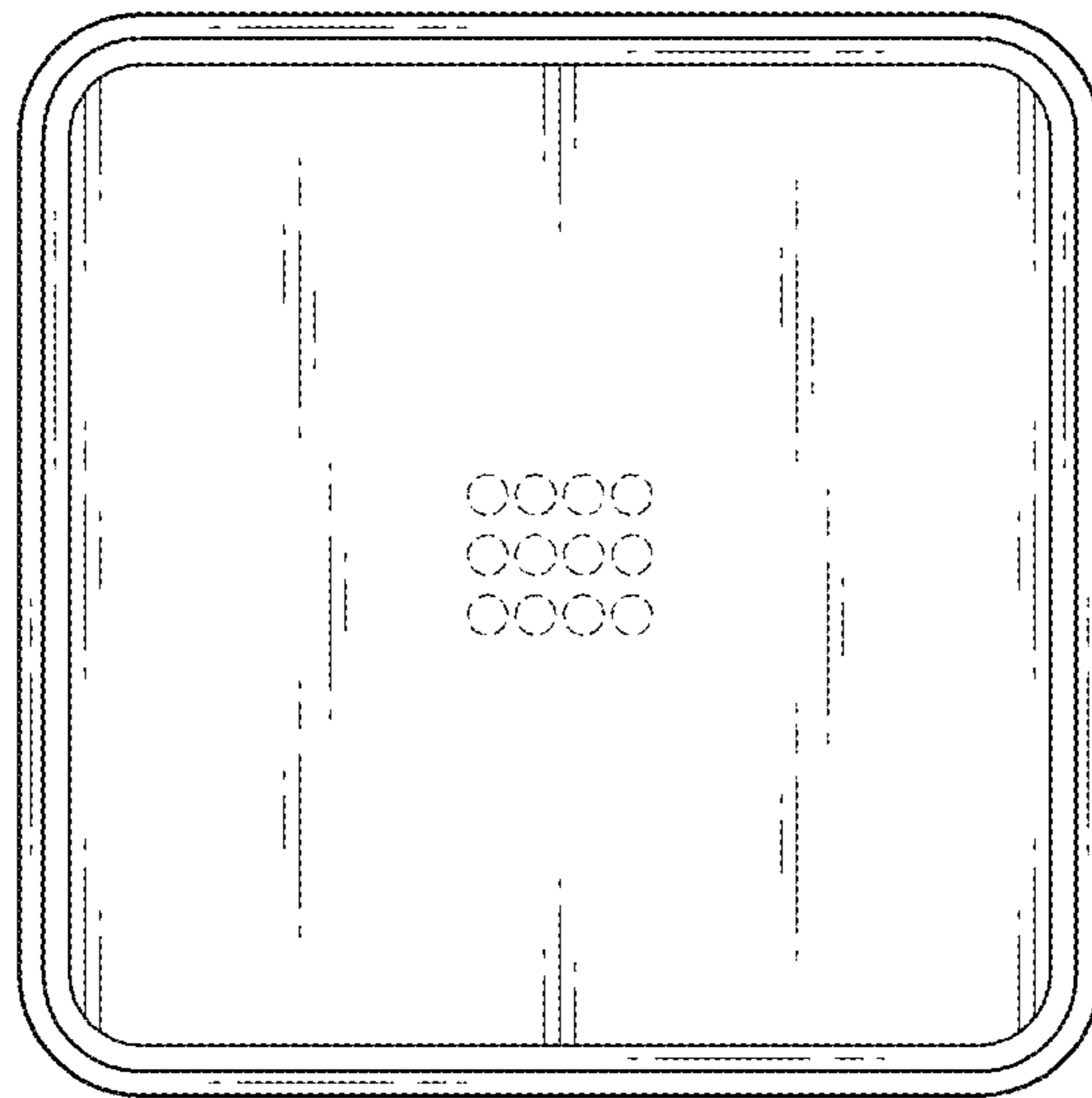
1.1



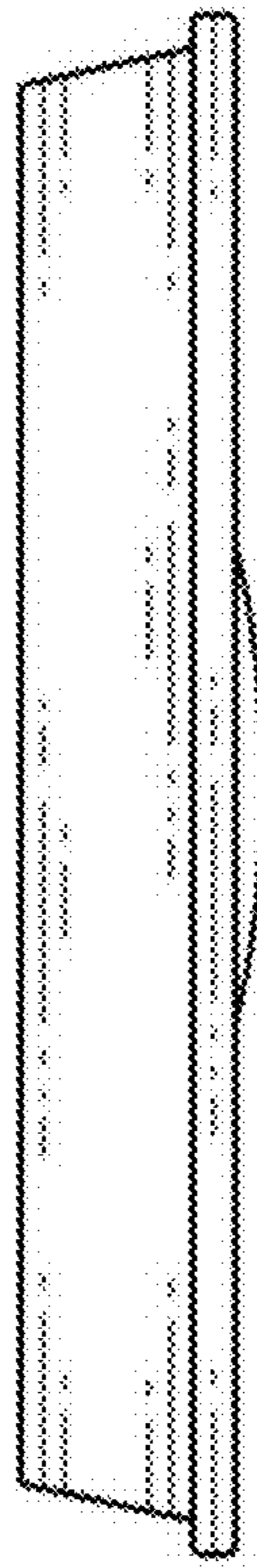
1.2



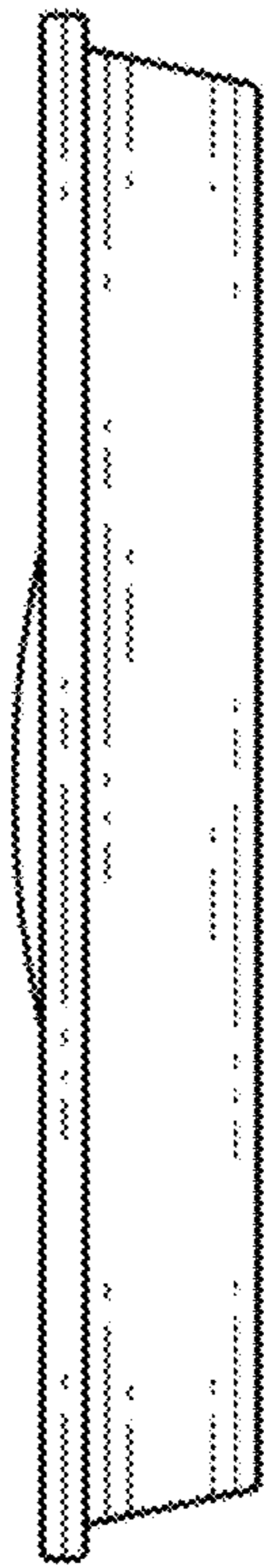
1.3



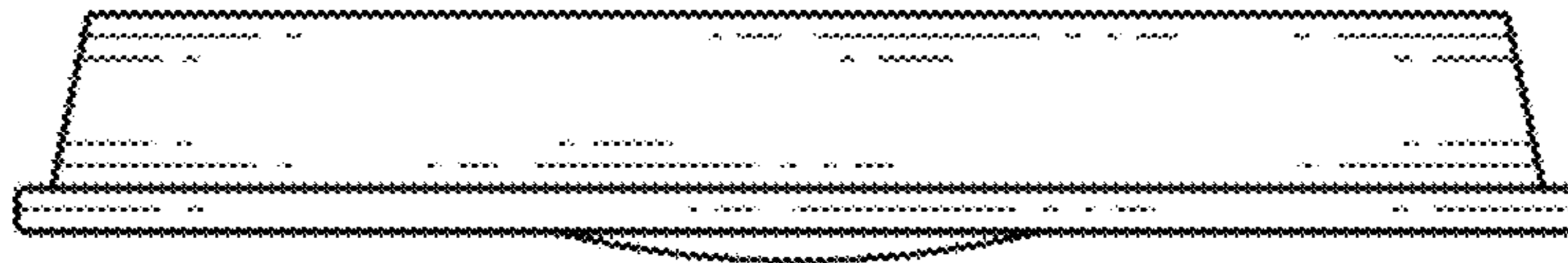
1.4



1.5



1.6

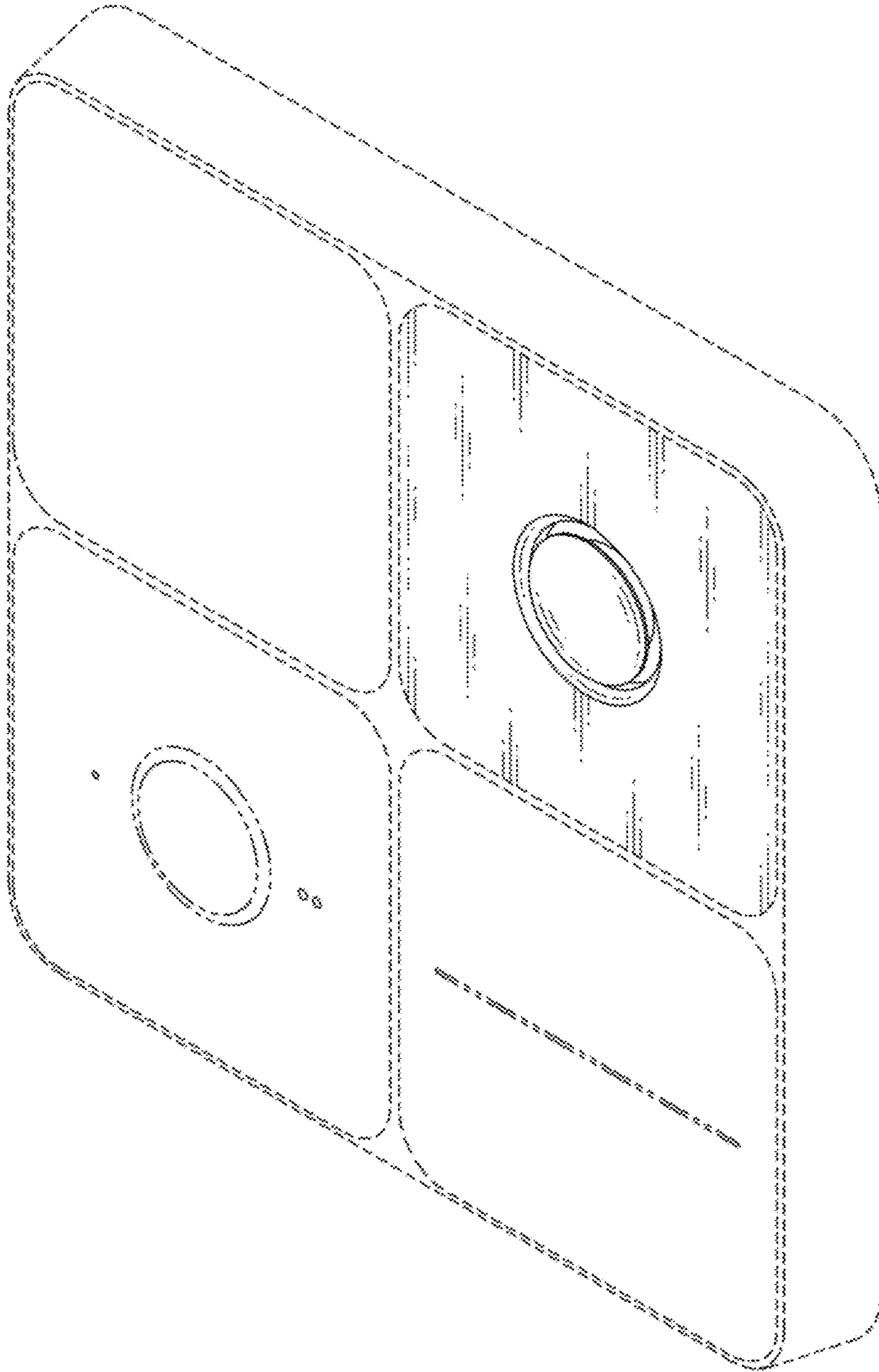




1.7



1.8



1.9

