



US00D826749S

(12) **United States Design Patent** (10) **Patent No.:** **US D826,749 S**
Halbertsma et al. (45) **Date of Patent:** **** Aug. 28, 2018**

(54) **MOUNTING APPARATUS FOR A PORTABLE ELECTRONIC DEVICE**

(71) Applicant: **TomTom International B.V.**,
Amsterdam (NL)

(72) Inventors: **Reiner Halbertsma**, Amsterdam (NL);
Erik-Jouke Bijl, Amsterdam (NL)

(73) Assignee: **TOMTOM INTERNATIONAL B.V.**,
Amsterdam (NL)

(**) Term: **15 Years**

(21) Appl. No.: **29/586,142**

(22) Filed: **Dec. 1, 2016**

(30) **Foreign Application Priority Data**

Jun. 1, 2016 (EM) 003165547

(51) **LOC (11) Cl.** **10-04**

(52) **U.S. Cl.**
USPC **D10/74; D10/103**

(58) **Field of Classification Search**
USPC D10/74, 103
CPC A47B 2097/005; A47B 2097/006; B60R
11/00; B60R 11/0211; B60R 11/0229;
B60R 11/0235; B60R 11/0252; B60R
11/0258; B60R 2011/0003; B60R
2011/0005; B60R 2011/0007; B60R
2011/0056; B60R 2011/0057; B60R
2011/0063; F16B 47/00; F16B 47/003;
F16B 45/00; F16B 45/02; A47G 25/0607;
A47G 25/08

See application file for complete search history.

(56) **References Cited**

U.S. PATENT DOCUMENTS

D629,315 S	*	12/2010	McAlpine	D10/74
D630,955 S	*	1/2011	McAlpine	D10/74
D750,515 S	*	3/2016	Ditges	D10/74
D772,739 S	*	11/2016	Browning	D10/74
D773,325 S	*	12/2016	Browning	D10/74

* cited by examiner

Primary Examiner — Antoine D Davis

(57) **CLAIM**

The ornamental design for a mounting apparatus for a portable electronic device, as shown and described.

DESCRIPTION

FIG. 1 is a perspective view showing the front and upper surface of a mounting apparatus according to the present design.

FIG. 2 is a front view of the mounting apparatus.

FIG. 3 is a rear view of the mounting apparatus.

FIG. 4 is a left side view of the mounting apparatus.

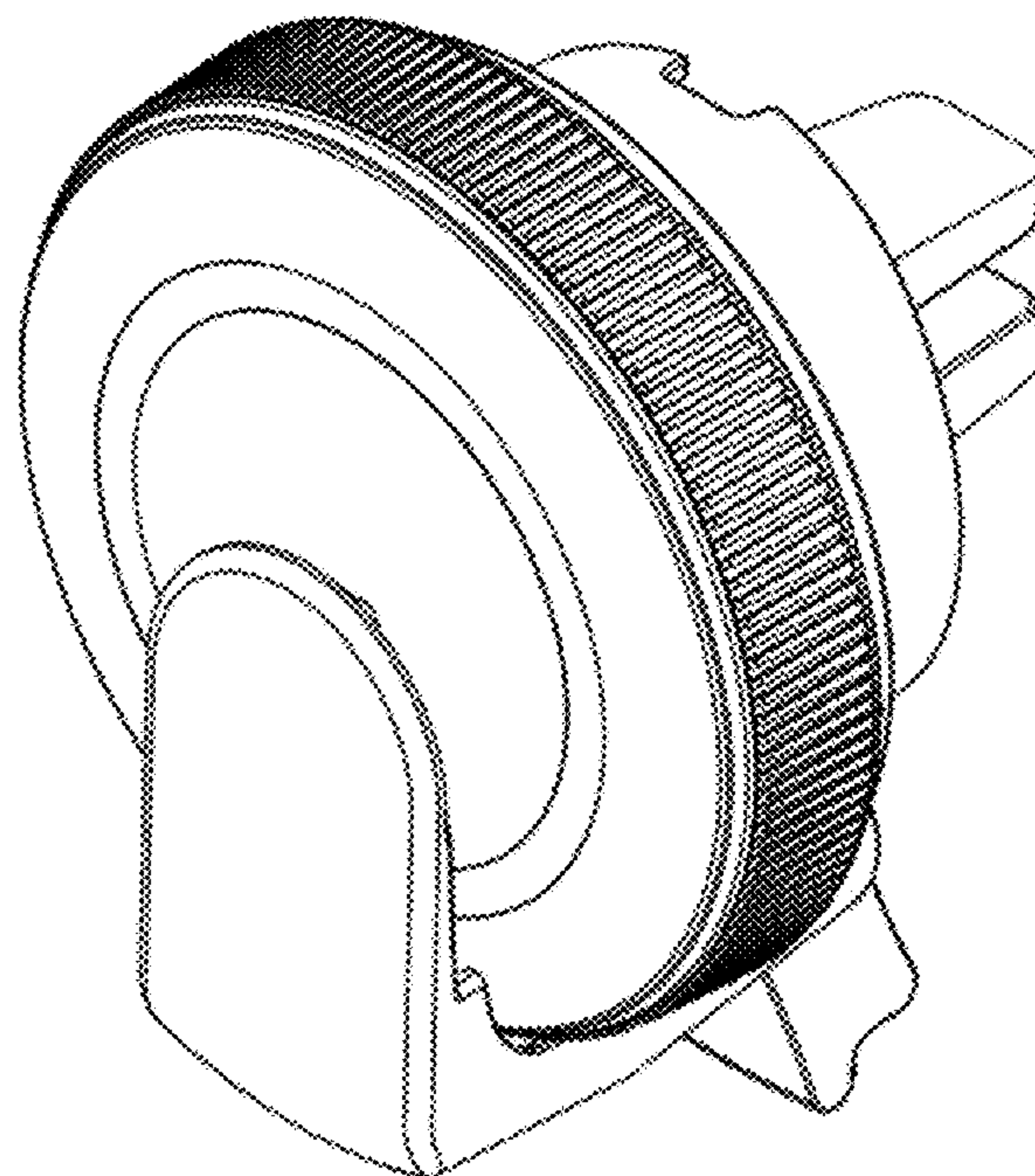
FIG. 5 is a right side view of the mounting apparatus.

FIG. 6 is a top view of the mounting apparatus; and,

FIG. 7 is a bottom view of the mounting apparatus.

The broken lines, which show a mounting apparatus for a portable electronic device, are for the purpose of illustrating portions of the article or environmental structure and form no part of the claimed design.

1 Claim, 4 Drawing Sheets



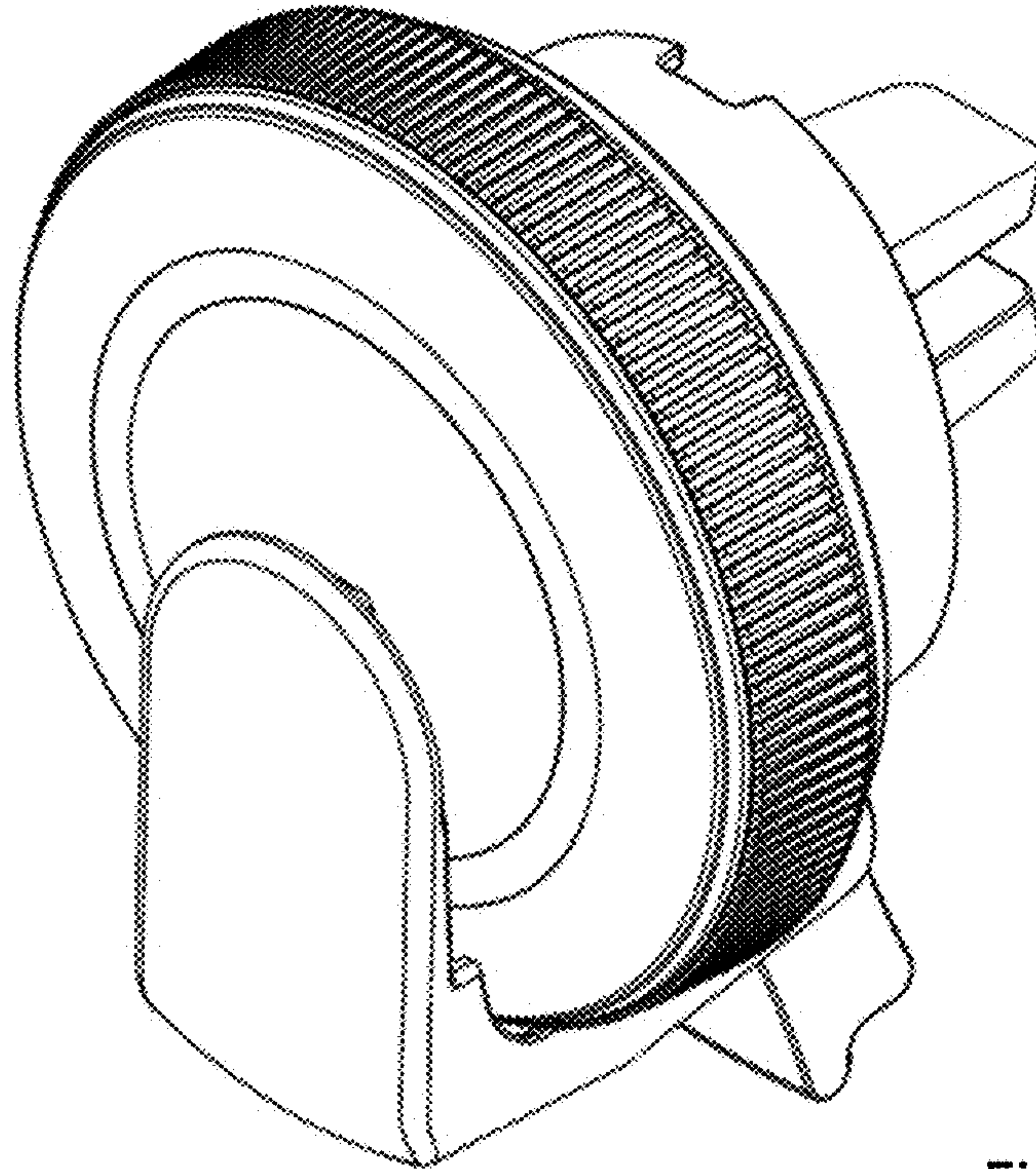


Figure 1

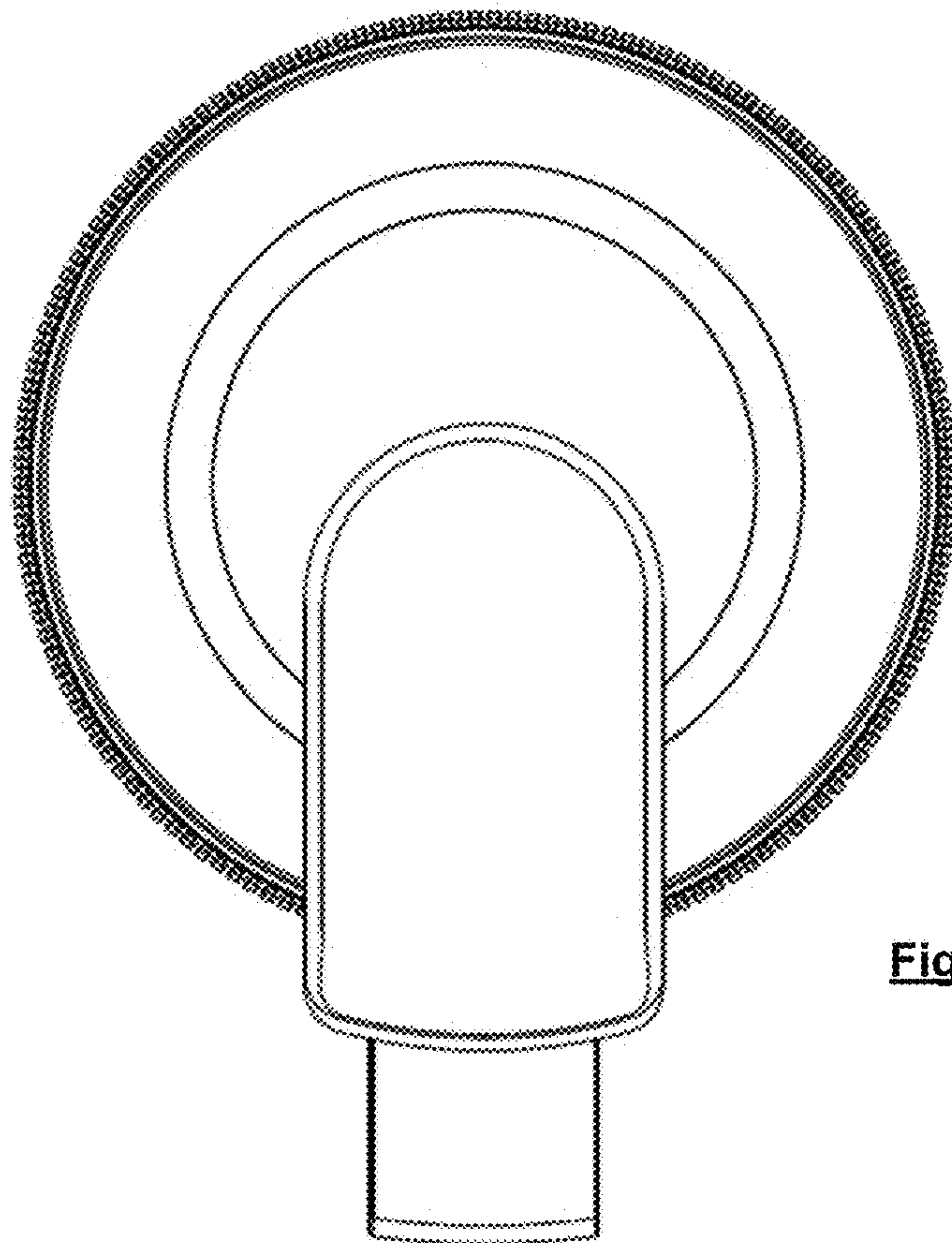


Figure 2

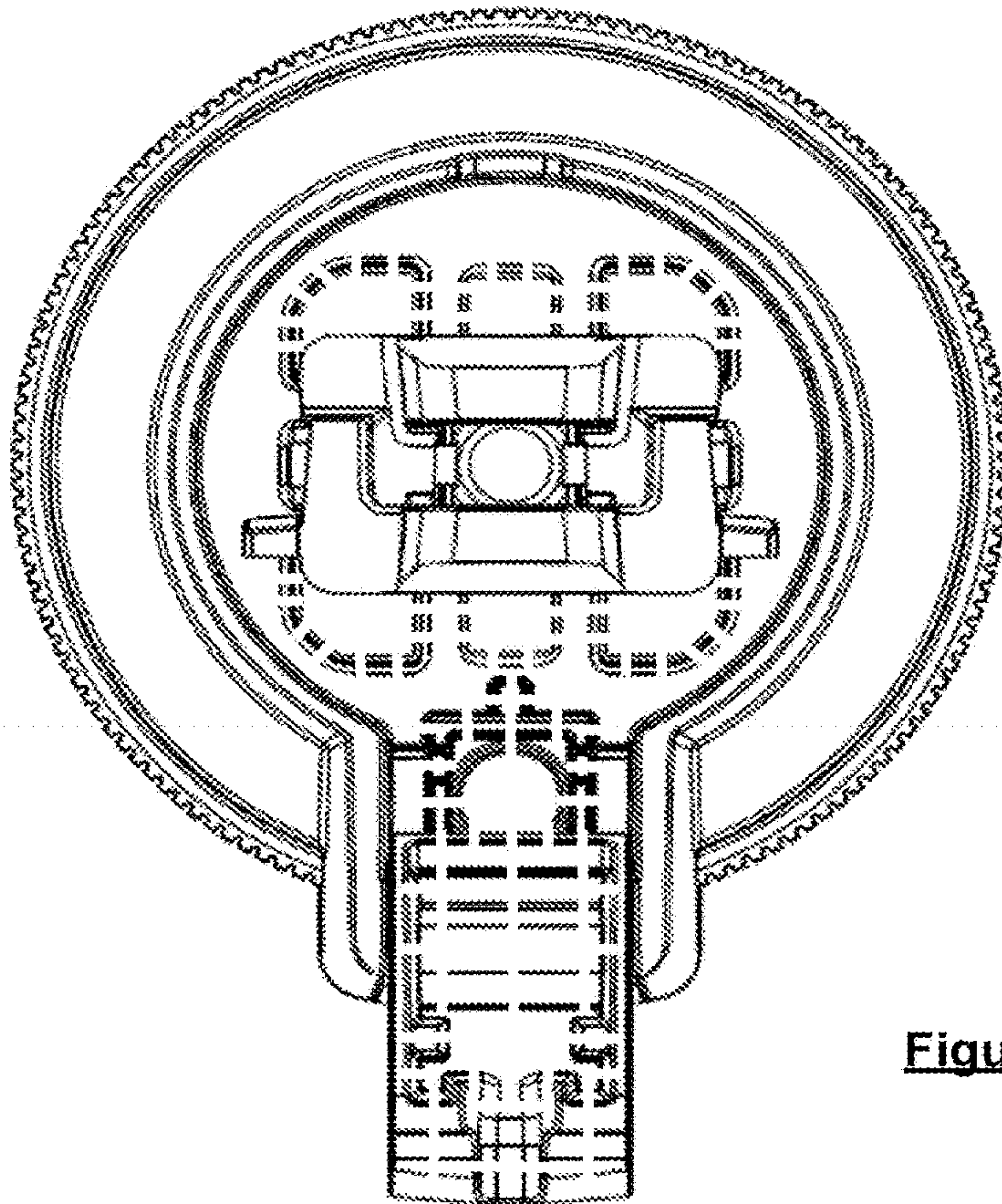


Figure 3

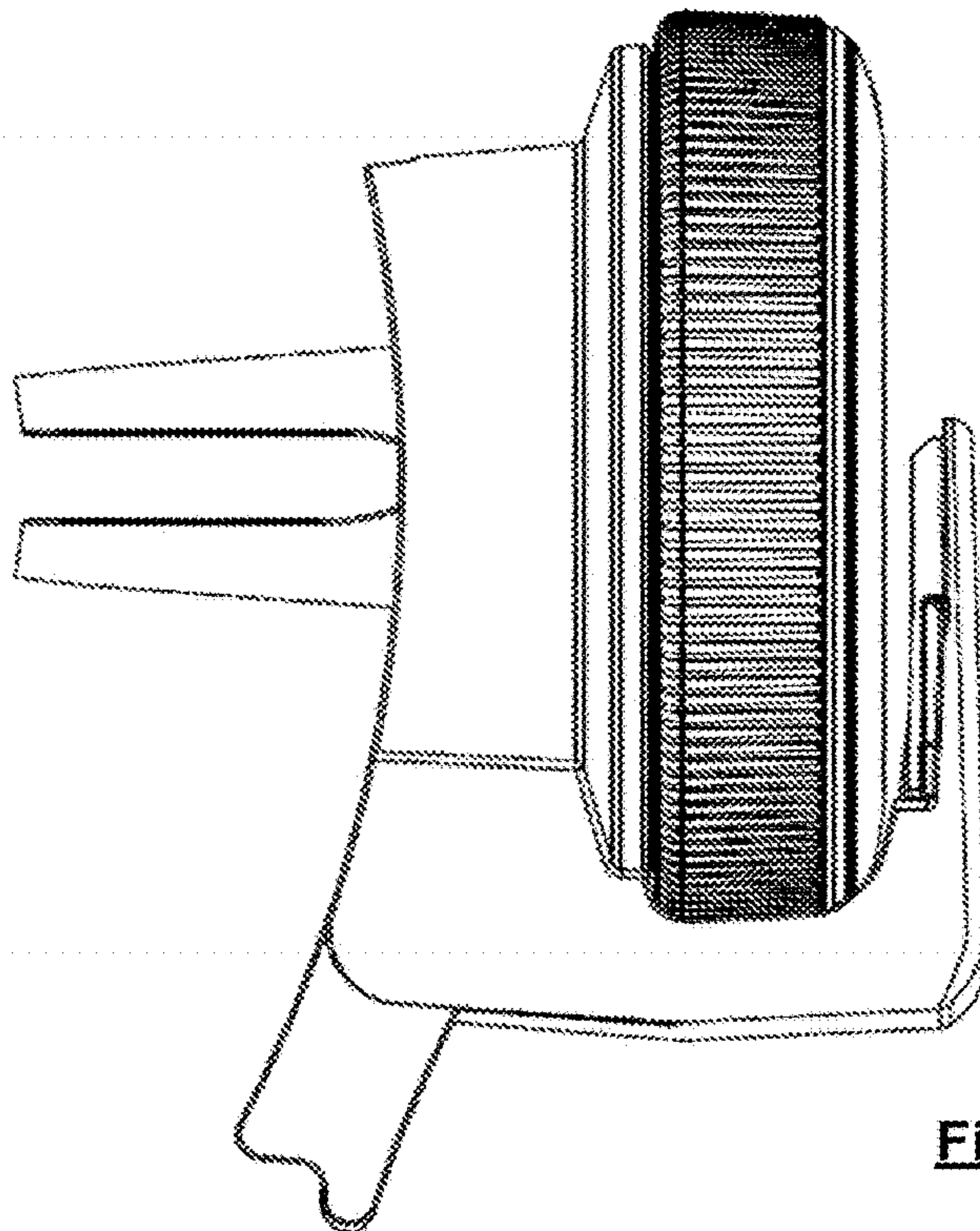


Figure 4

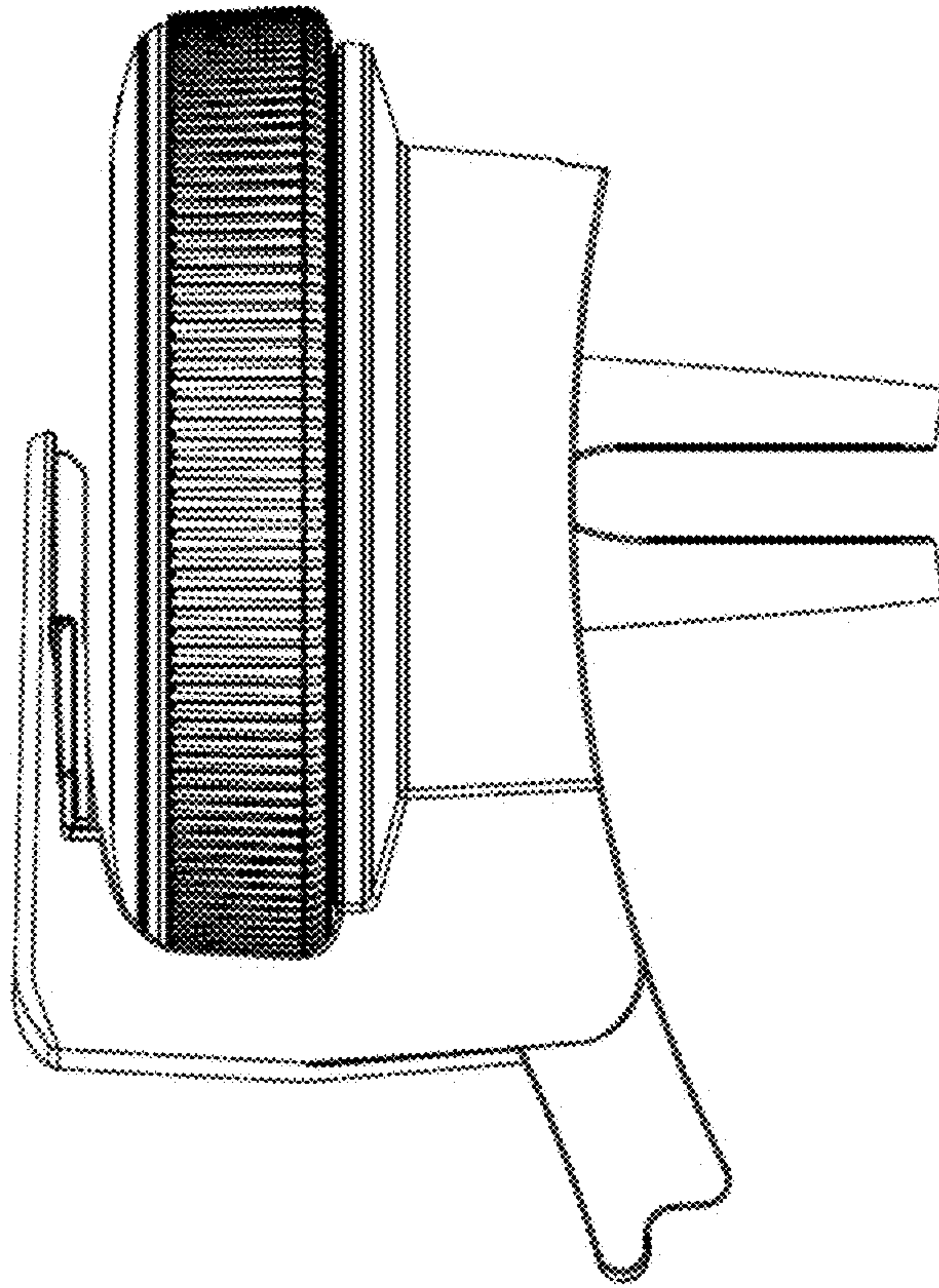


Figure 5

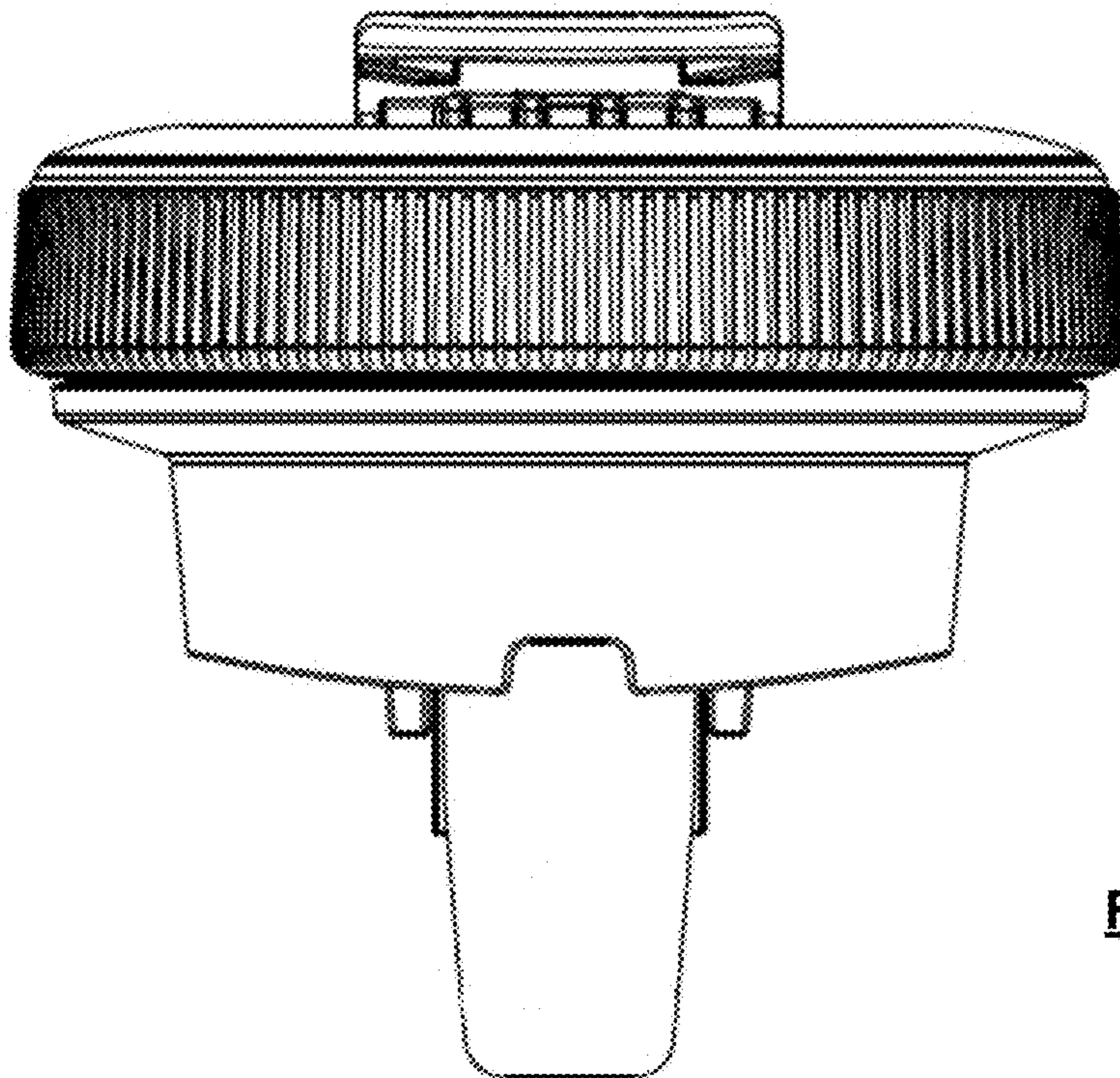


Figure 6

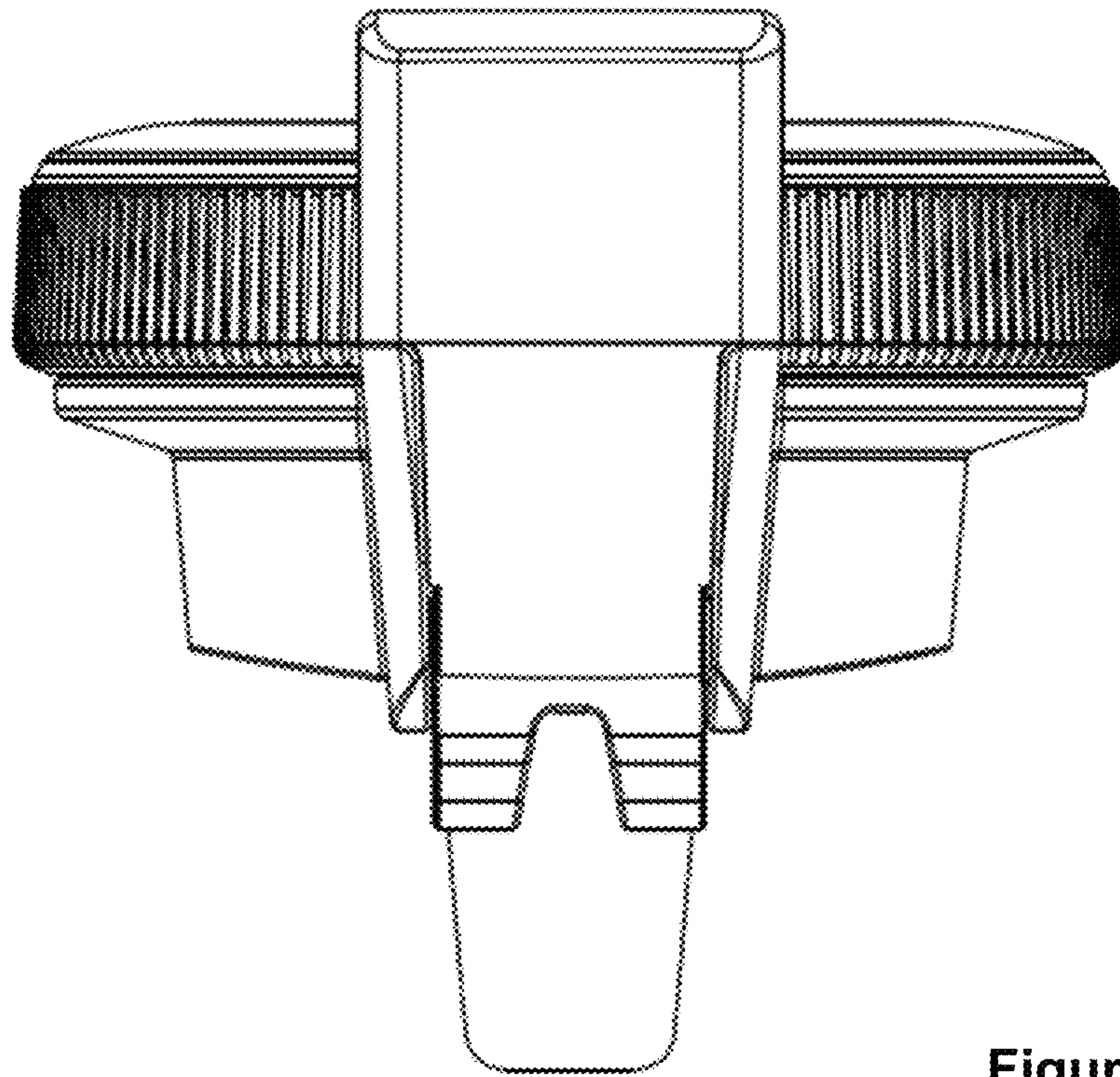


Figure 7