



US00D826744S

(12) **United States Design Patent** (10) **Patent No.:** **US D826,744 S**  
**Liu** (45) **Date of Patent:** **\*\* Aug. 28, 2018**

(54) **BIOMETRIC MONITORING DEVICE**

2220/00–2220/89; A63B 2225/02; A61B 5/681; A61B 5/6824; A61B 5/6825; A61B 5/6826

(71) Applicant: **Fazhang Liu**, Henan (CN)

See application file for complete search history.

(72) Inventor: **Fazhang Liu**, Henan (CN)

(56) **References Cited**

(\*\*) Term: **15 Years**

U.S. PATENT DOCUMENTS

(21) Appl. No.: **29/600,356**

D773,052 S \* 11/2016 Wimmer, IV ..... D10/103  
9,632,534 B1 \* 4/2017 Devaney ..... G06F 1/163  
D800,593 S \* 10/2017 Ling ..... D10/128

(22) Filed: **Apr. 12, 2017**

(51) **LOC (11) Cl.** ..... **10-04**

\* cited by examiner

(52) **U.S. Cl.**

USPC ..... **D10/70**; D10/128; D10/103; D11/86;  
D14/344; D24/167; D24/186

*Primary Examiner* — Antoine Duval Davis

(58) **Field of Classification Search**

(57) **CLAIM**

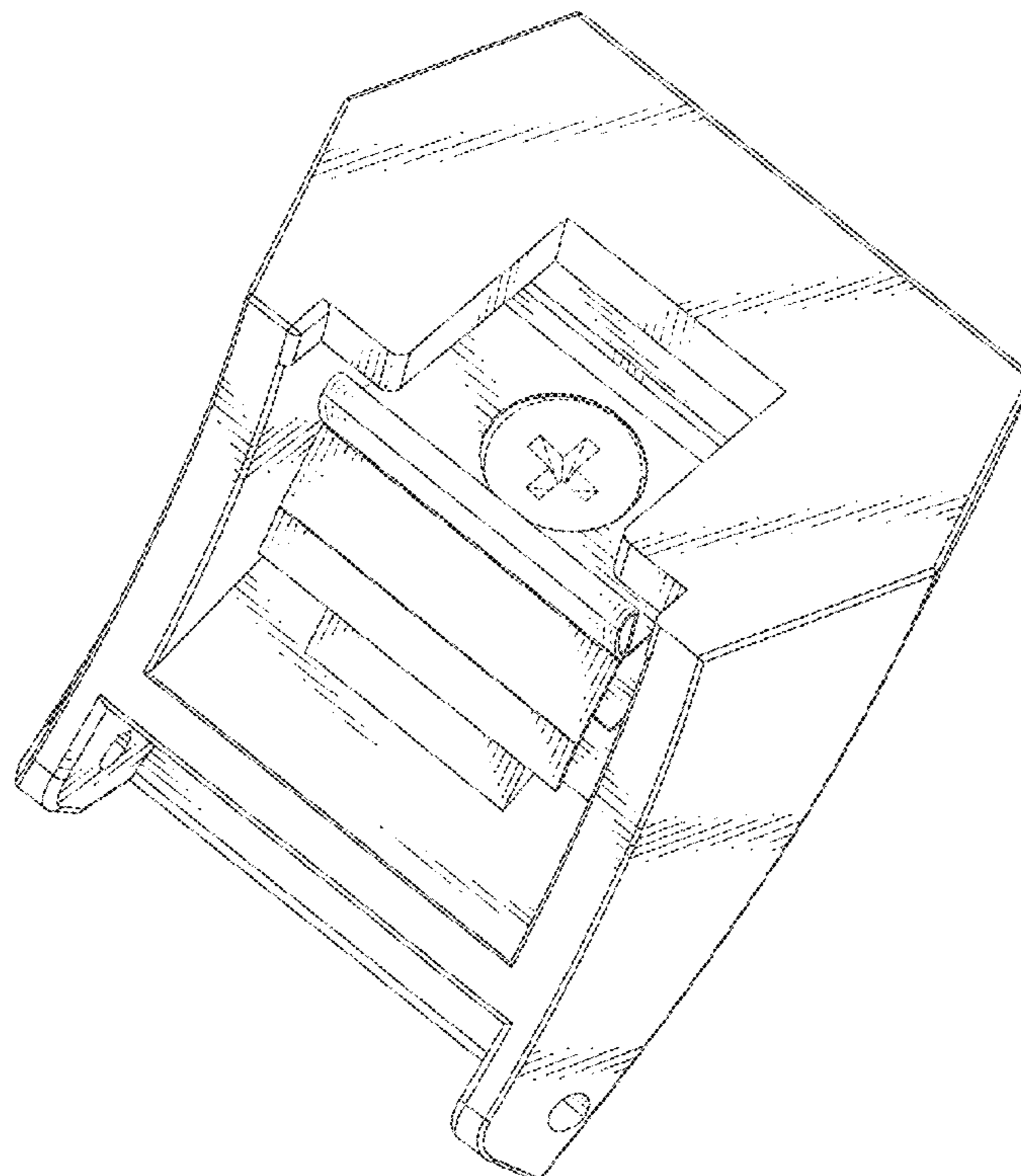
USPC ..... D10/30–39, 65, 70, 78, 97, 98, 128;  
D11/3, 86; D14/138 R, 203.5, 203.6,  
D14/341, 344, 347; D24/167, 168, 186  
CPC ..... G04B 19/00–19/34; G04B 21/12; G04B  
23/12; G04B 37/00–37/228; G04B  
47/00–47/068; G01C 17/00; G01C  
21/00–21/3697; G01C 22/00–22/025;  
G01C 23/00–23/005; G01C 21/16; G06F  
19/3481; G06F 3/00–3/027; G01P  
1/00–1/26; G01P 15/00–15/18; A63C  
11/02; A63B 24/00–2024/0096; A63B  
2213/00; A63B 69/0028; A63B  
2071/0658–2071/0666; A63B

I claim the ornamental design for a biometric monitoring device, as shown and described.

**DESCRIPTION**

FIG. 1 is a perspective view of a biometric monitoring device showing my new design;  
FIG. 2 is a front elevational view thereof;  
FIG. 3 is a rear elevational view thereof;  
FIG. 4 is a left side elevational view thereof;  
FIG. 5 is a right side elevational view thereof;  
FIG. 6 is a top plan view thereof; and,  
FIG. 7 is a bottom plan view thereof.

**1 Claim, 7 Drawing Sheets**



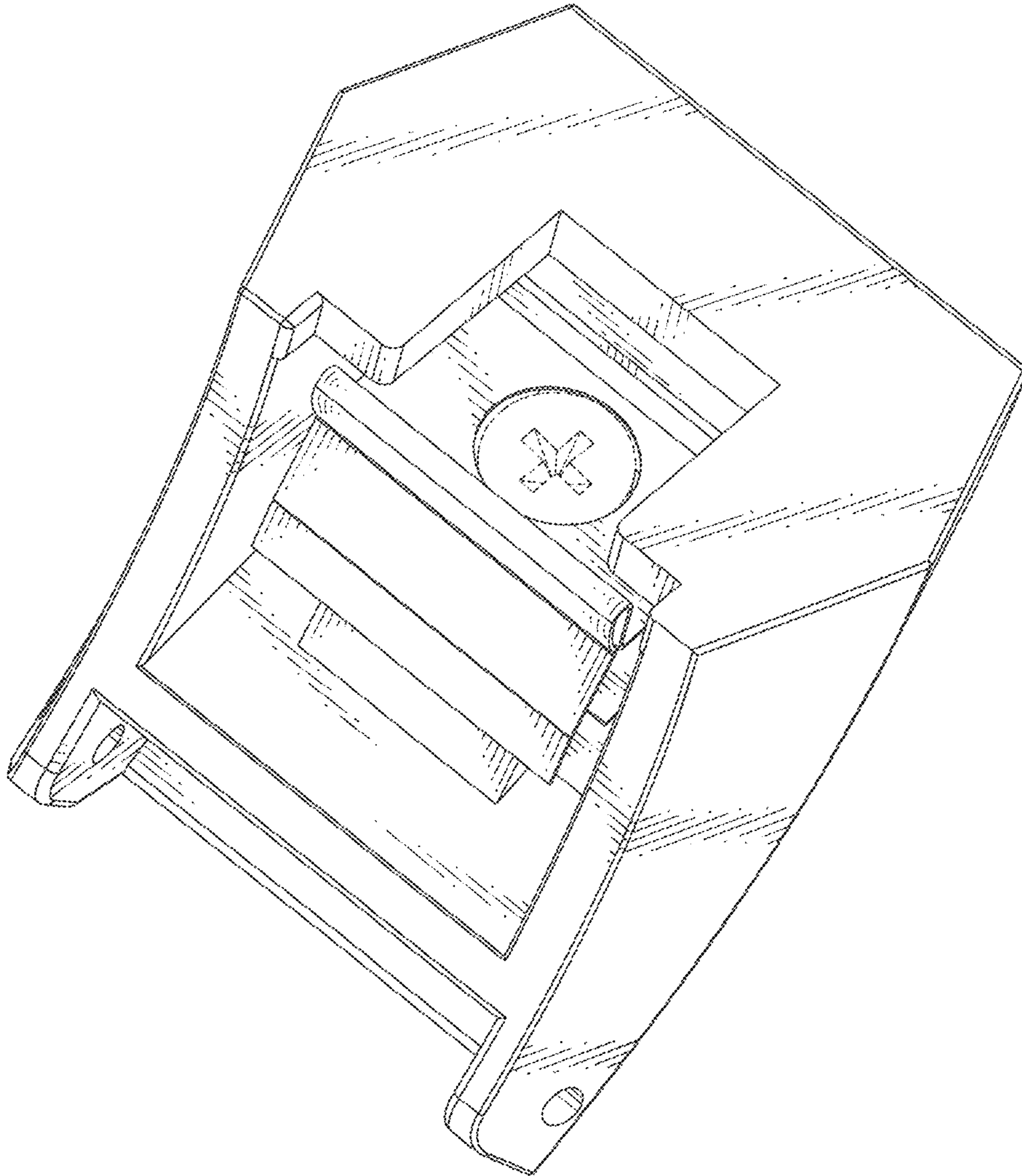


Fig. 1

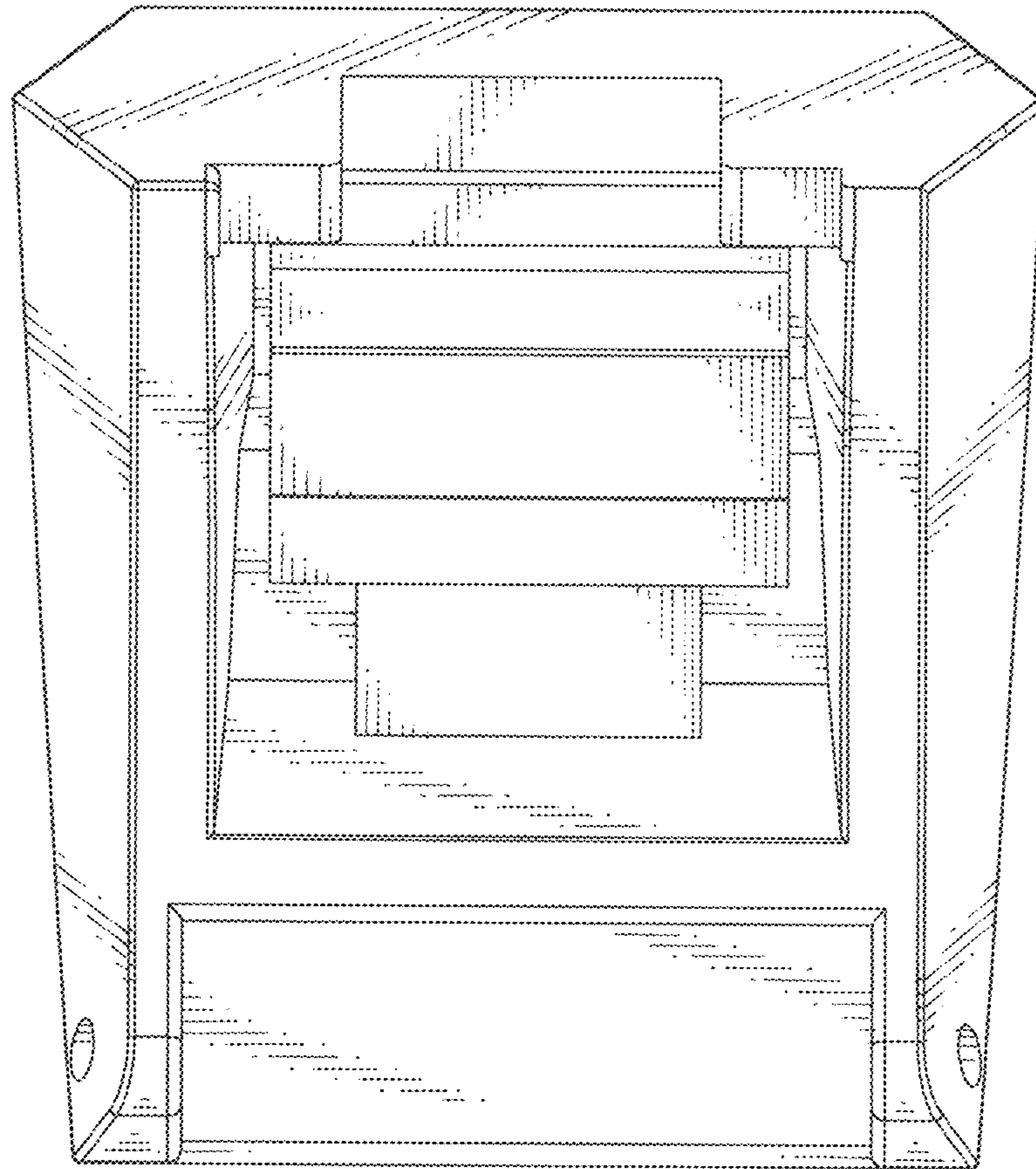


Fig.2

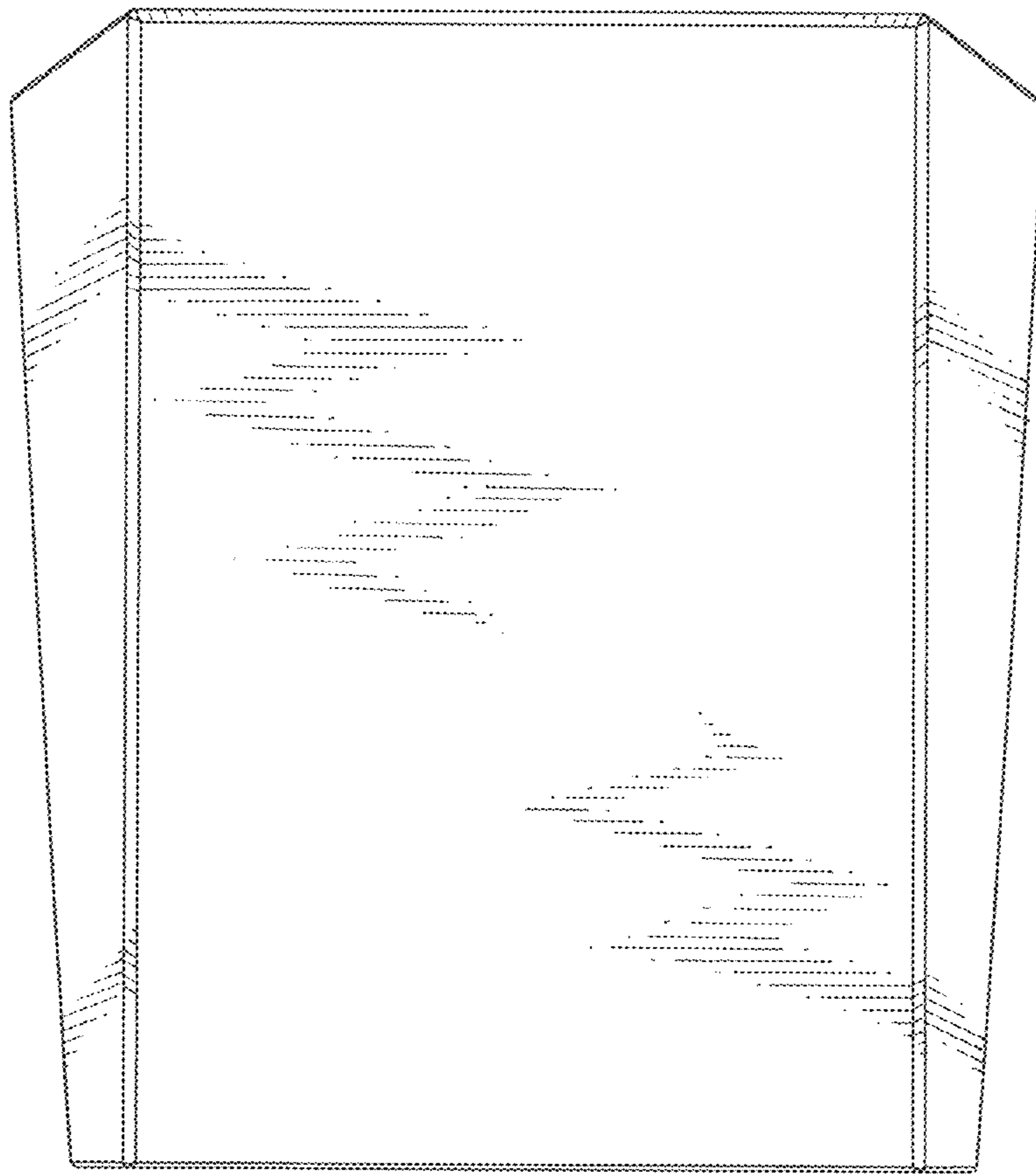


Fig.3

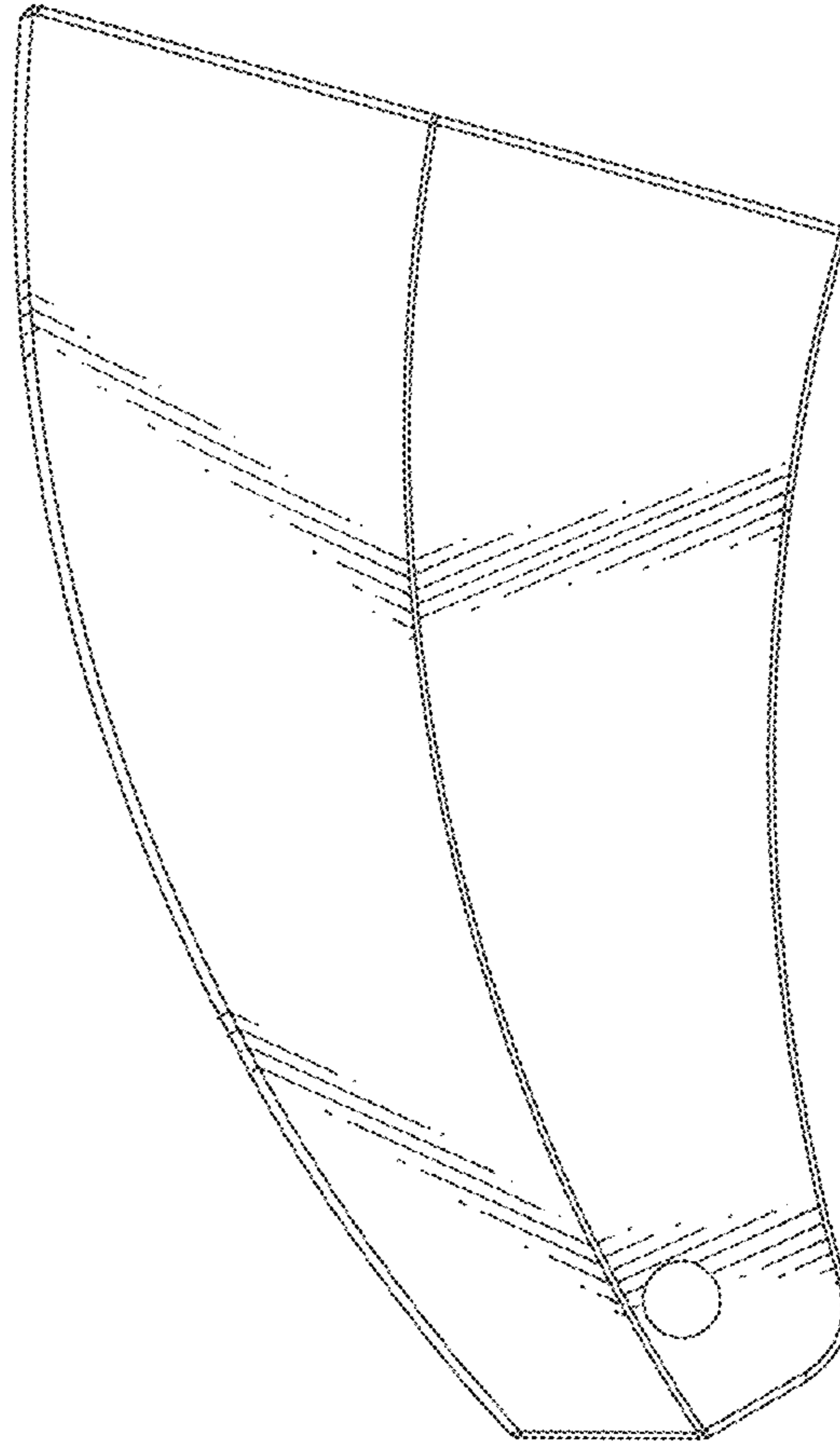


Fig.4

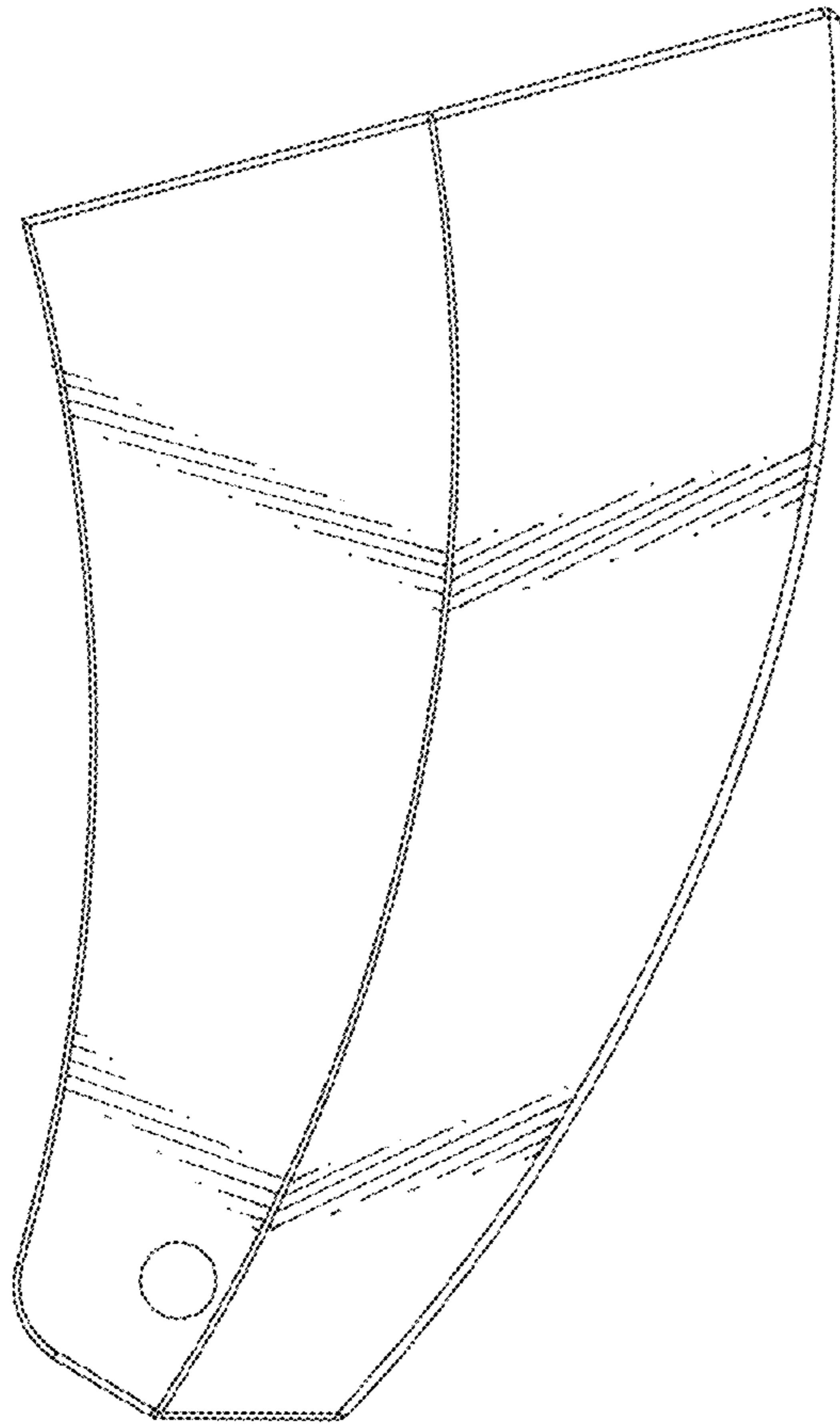


Fig.5

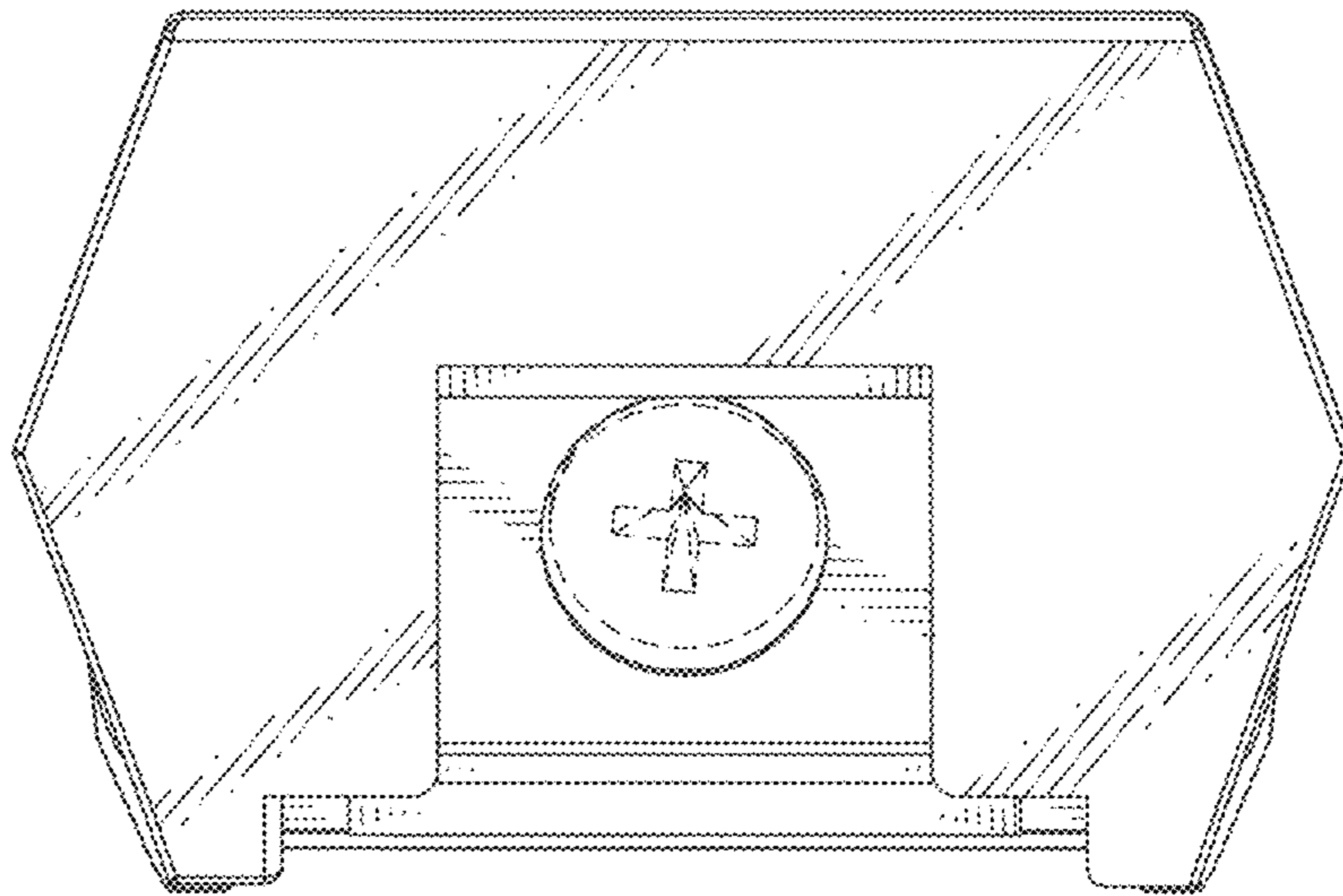


Fig.6

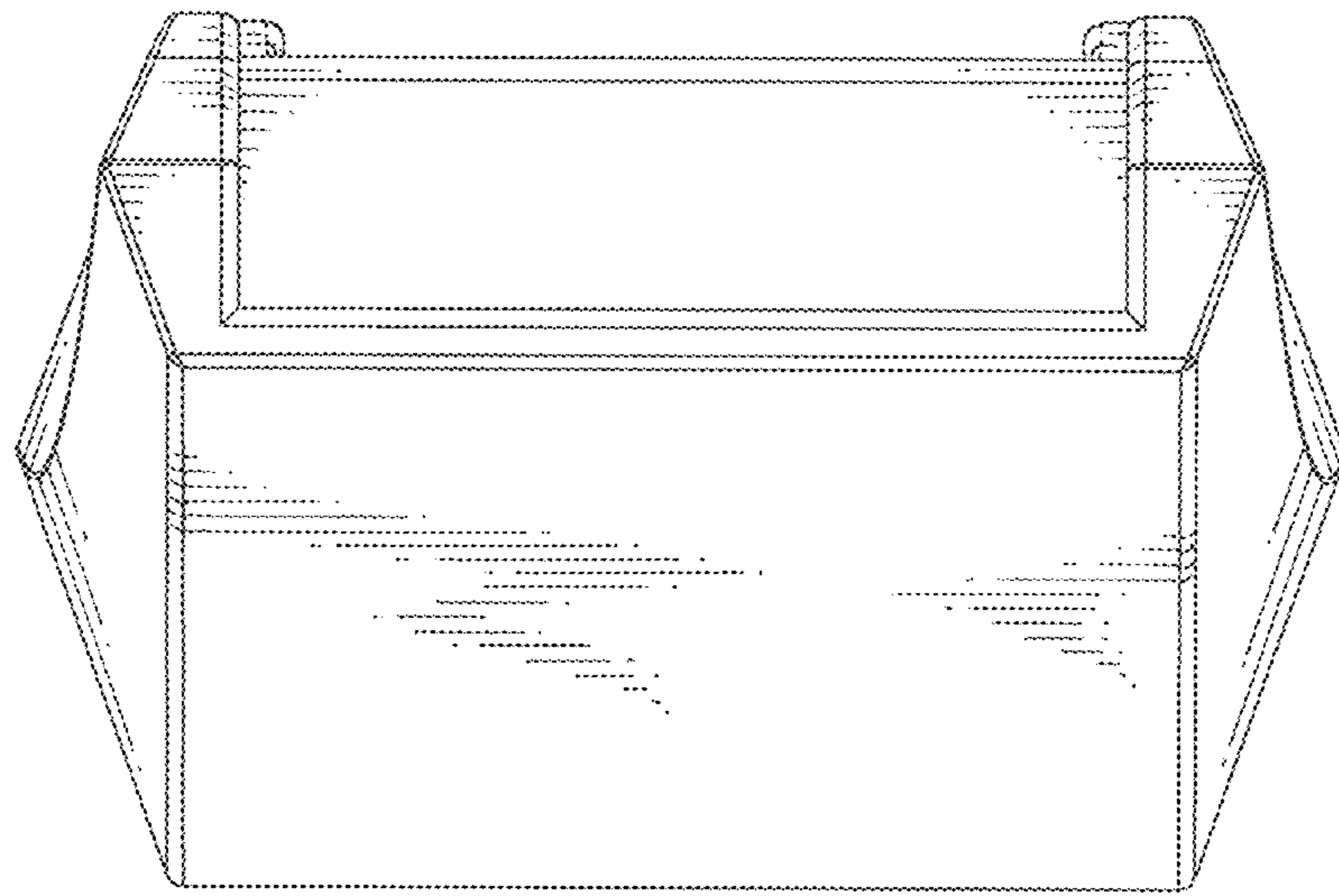


Fig.7