



US00D826742S

(12) **United States Design Patent** (10) **Patent No.:** **US D826,742 S**
Lutz (45) **Date of Patent:** **** Aug. 28, 2018**

(54) **MEASURING INSTRUMENT**
(71) Applicant: **Robert Bosch GmbH**, Stuttgart (DE)
(72) Inventor: **Juergen Lutz**, Hemmingen (DE)
(73) Assignee: **Robert Bosch GmbH**, Stuttgart (DE)
(**) Term: **15 Years**
(21) Appl. No.: **29/588,094**
(22) Filed: **Dec. 19, 2016**

(30) **Foreign Application Priority Data**
Jun. 30, 2016 (EM) 003255421
(51) **LOC (11) Cl.** **10-04**
(52) **U.S. Cl.**
USPC **D10/65; D10/98**
(58) **Field of Classification Search**
USPC D10/46, 65, 98
CPC . A63B 24/00; A63B 2225/50; A63B 24/0006;
A63B 24/0062; A63B 69/16; A63B
2024/0009; A63B 2024/0068; A63B
2024/0012; A63B 2230/06; A63B
71/0669; A63B 2220/17; A63B 2220/20;
A63B 2220/30; A63B 2220/833; A63B
2225/20; A63B 2230/04; A63B 2230/202;
A63B 2230/207; A63B 2230/30; A63B
2230/50; B62J 99/00; B62J 2099/0026;
B62J 2099/002; B62J 2099/0013; B62J
6/02; B62J 2099/0033; B62K 11/14;
B62K 21/12; B62K 21/16; B62K
2207/00; B62L 1/12;

(Continued)

(56) **References Cited**
U.S. PATENT DOCUMENTS
D589,381 S * 3/2009 Gretton D10/65
D589,382 S * 3/2009 Gretton D10/65
(Continued)

Primary Examiner — Antoine Duval Davis
(74) *Attorney, Agent, or Firm* — Maginot, Moore & Beck
LLP

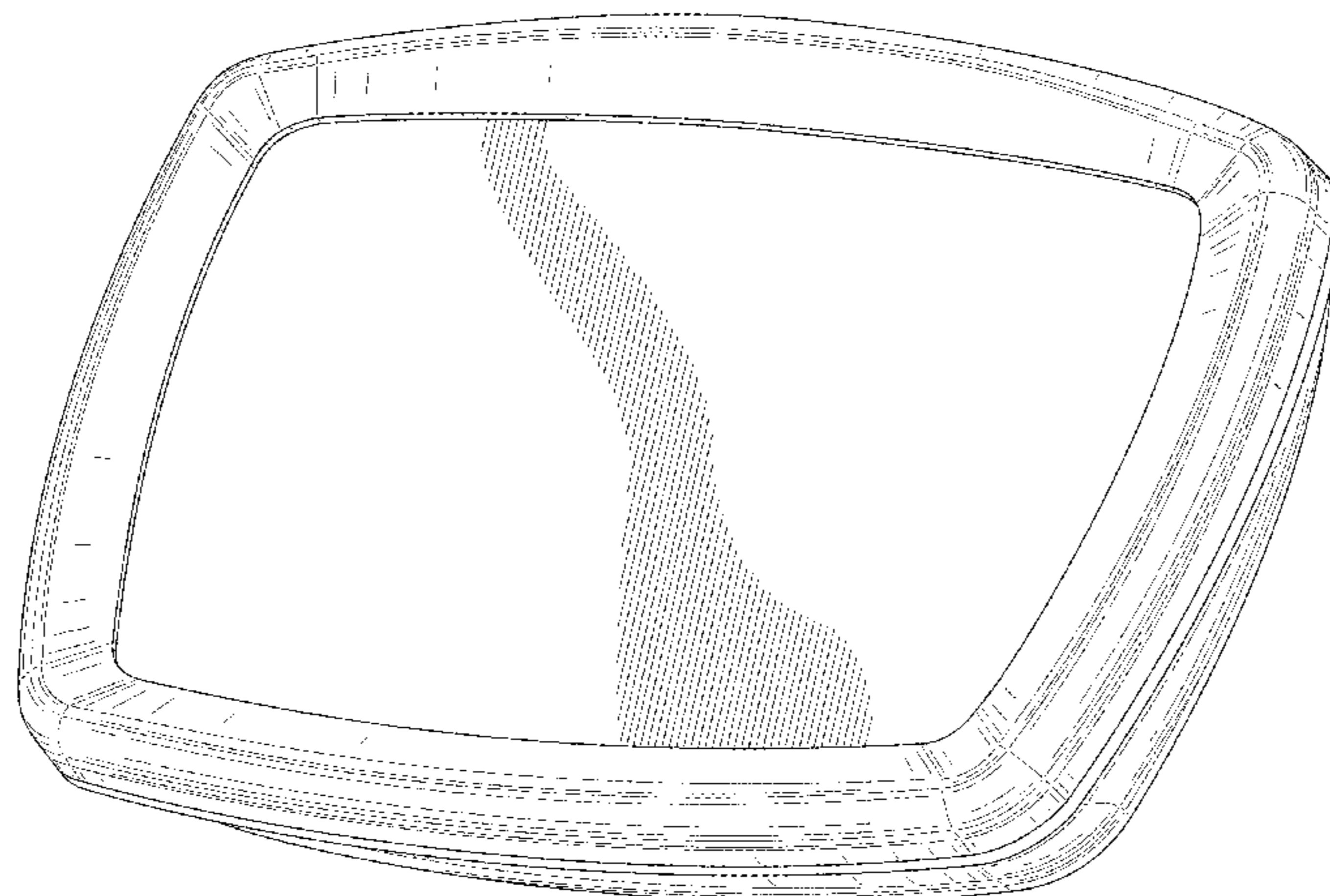
(57) **CLAIM**

The ornamental design for a measuring instrument, as shown and described.

DESCRIPTION

FIG. 1 is a perspective view of a first embodiment of a measuring instrument showing my new design;
FIG. 2 is a front elevational view of the measuring instrument of FIG. 1;
FIG. 3 is a rear elevational view of the measuring instrument of FIG. 1;
FIG. 4 is a right side elevational view of the measuring instrument of FIG. 1;
FIG. 5 is a left side elevational view of the measuring instrument of FIG. 1;
FIG. 6 is a top plan view of the measuring instrument of FIG. 1; and
FIG. 7 is a bottom plan view of the measuring instrument of FIG. 1.
FIG. 8 is a perspective view of a second embodiment of a measuring instrument showing my new design;
FIG. 9 is a front elevational view of the measuring instrument of FIG. 8;
FIG. 10 is a rear elevational view of the measuring instrument of FIG. 8;
FIG. 11 is a left side elevational view of the measuring instrument of FIG. 8;
FIG. 12 is a right side elevational view of the measuring instrument of FIG. 8;
FIG. 13 is a top plan view of the measuring instrument of FIG. 8; and,
FIG. 14 is a bottom plan view of the measuring instrument of FIG. 8.
The broken lines shown in the drawings illustrate portions of the measuring instrument that form no part of the claimed design.

1 Claim, 12 Drawing Sheets



(58) **Field of Classification Search**

CPC .. B62L 3/00; G01P 11/00; G01P 21/02; G01P
3/50; G01P 3/481; G01P 3/487; G01P
3/488; G01P 3/4953; G01C 22/002;
G01C 22/00; G06F 3/0488; G01D 1/026;
F16M 13/022; F16M 11/041; F16M 11/06
See application file for complete search history.

(56) **References Cited**

U.S. PATENT DOCUMENTS

D589,383	S	*	3/2009	Gretton	D10/65
D589,384	S	*	3/2009	Gretton	D10/65
D674,715	S	*	1/2013	Dalton	B25C 7/00
						D10/70
D808,829	S	*	1/2018	Dempsey	D10/65
D808,830	S	*	1/2018	Dempsey	D10/65

* cited by examiner

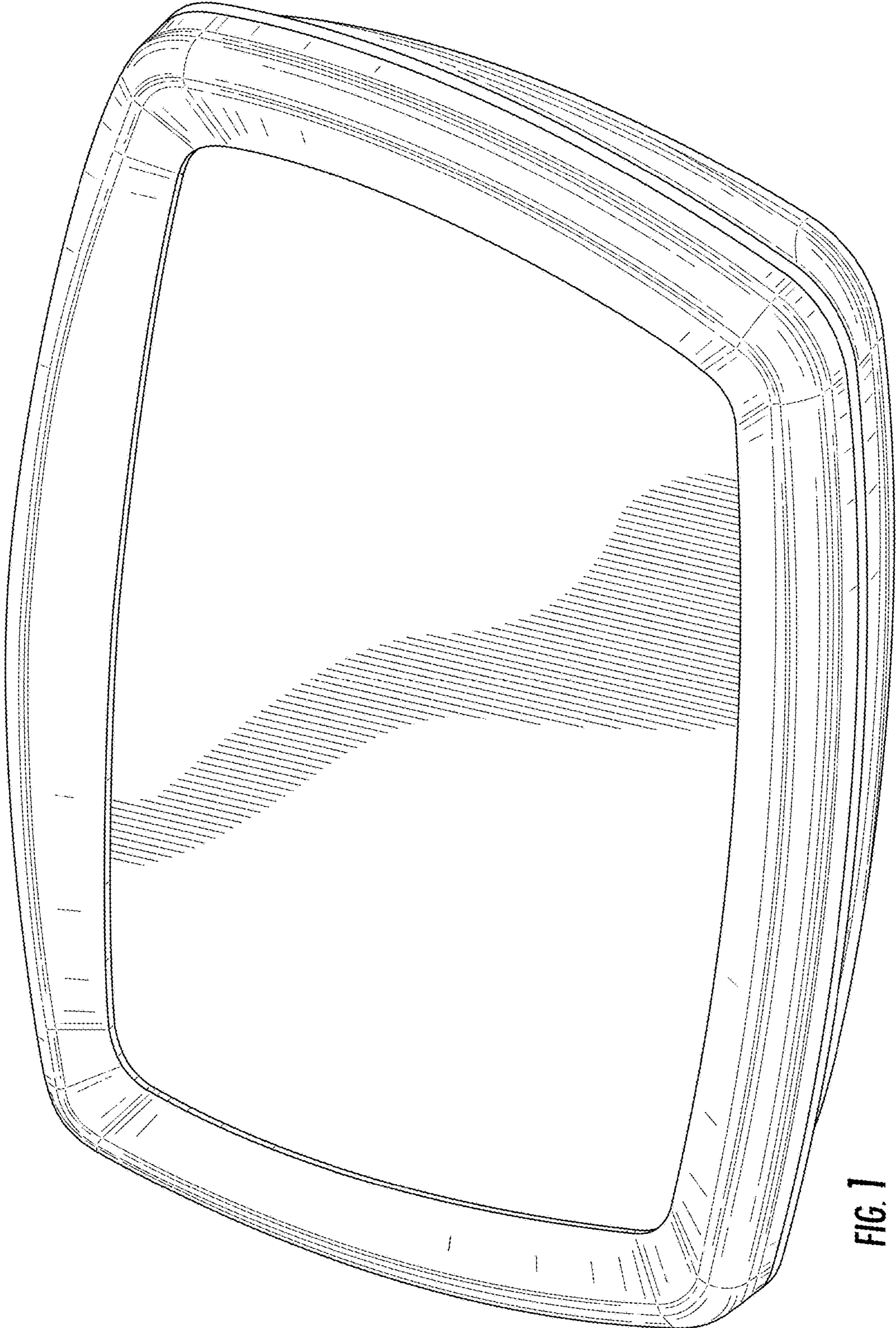


FIG. 1

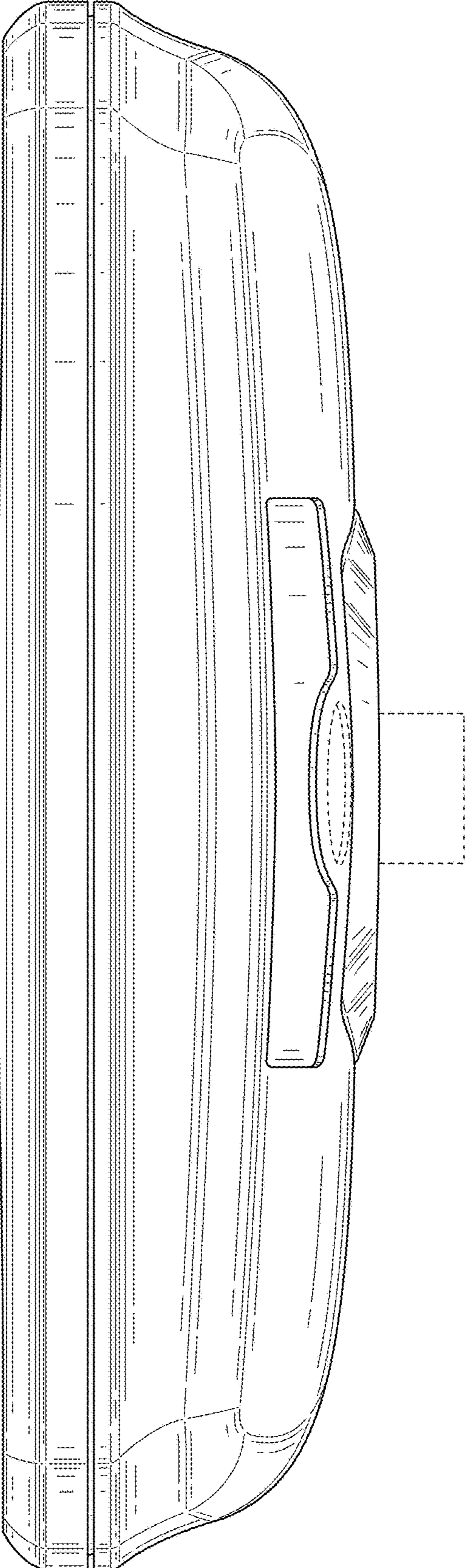


FIG. 2

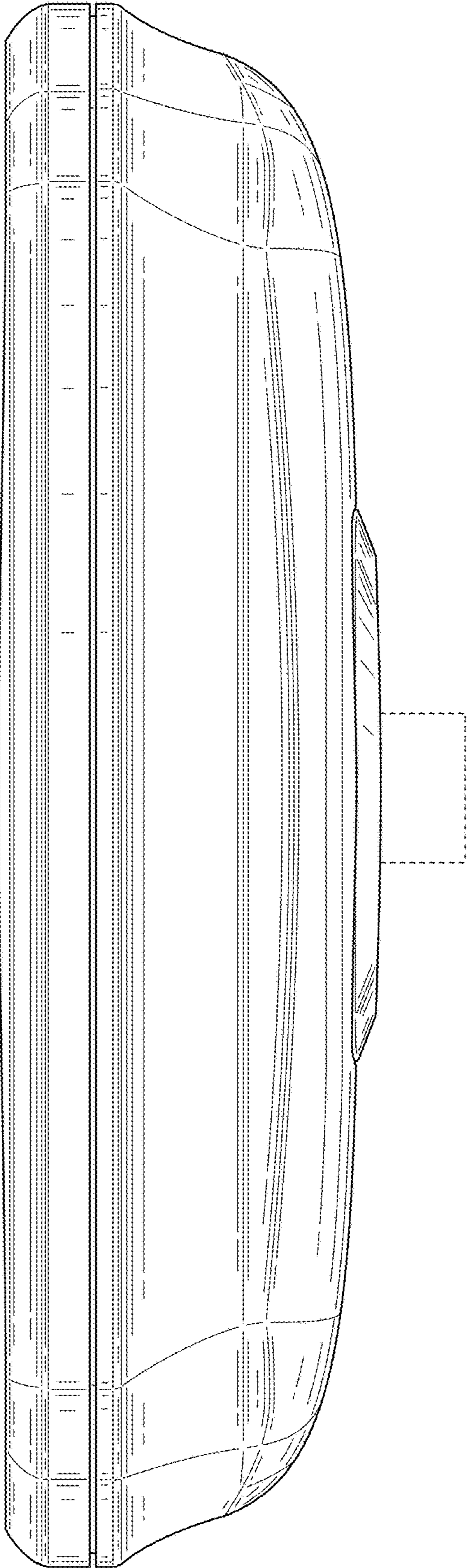


FIG. 3

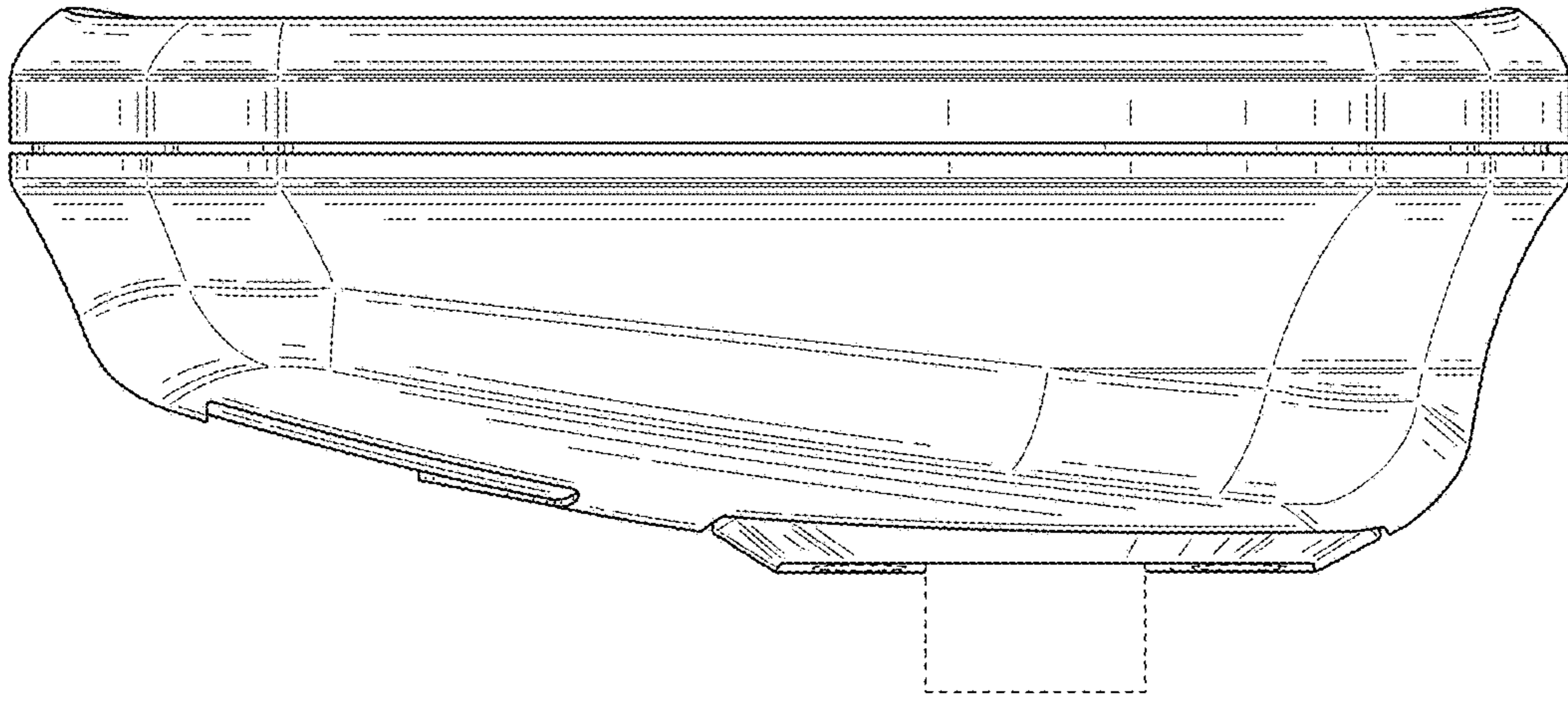


FIG. 4

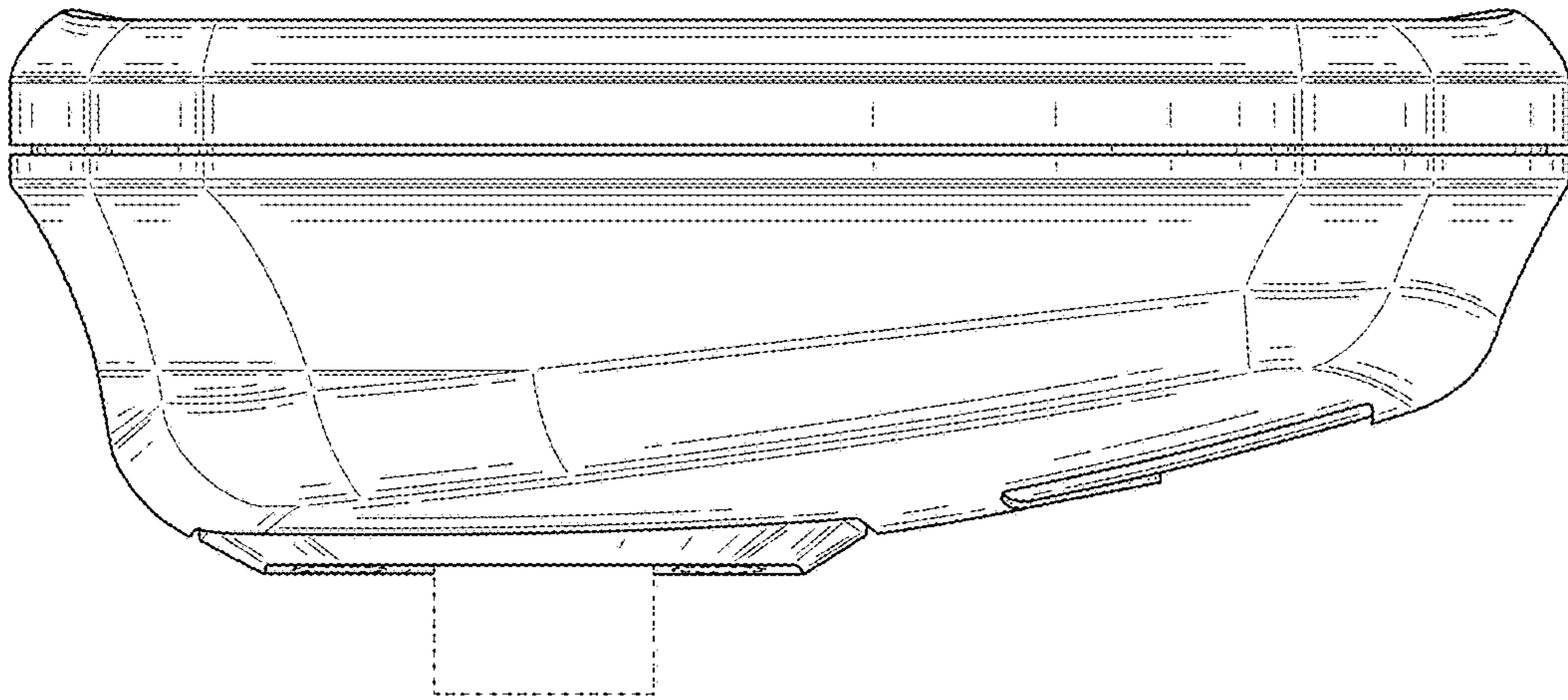


FIG. 5

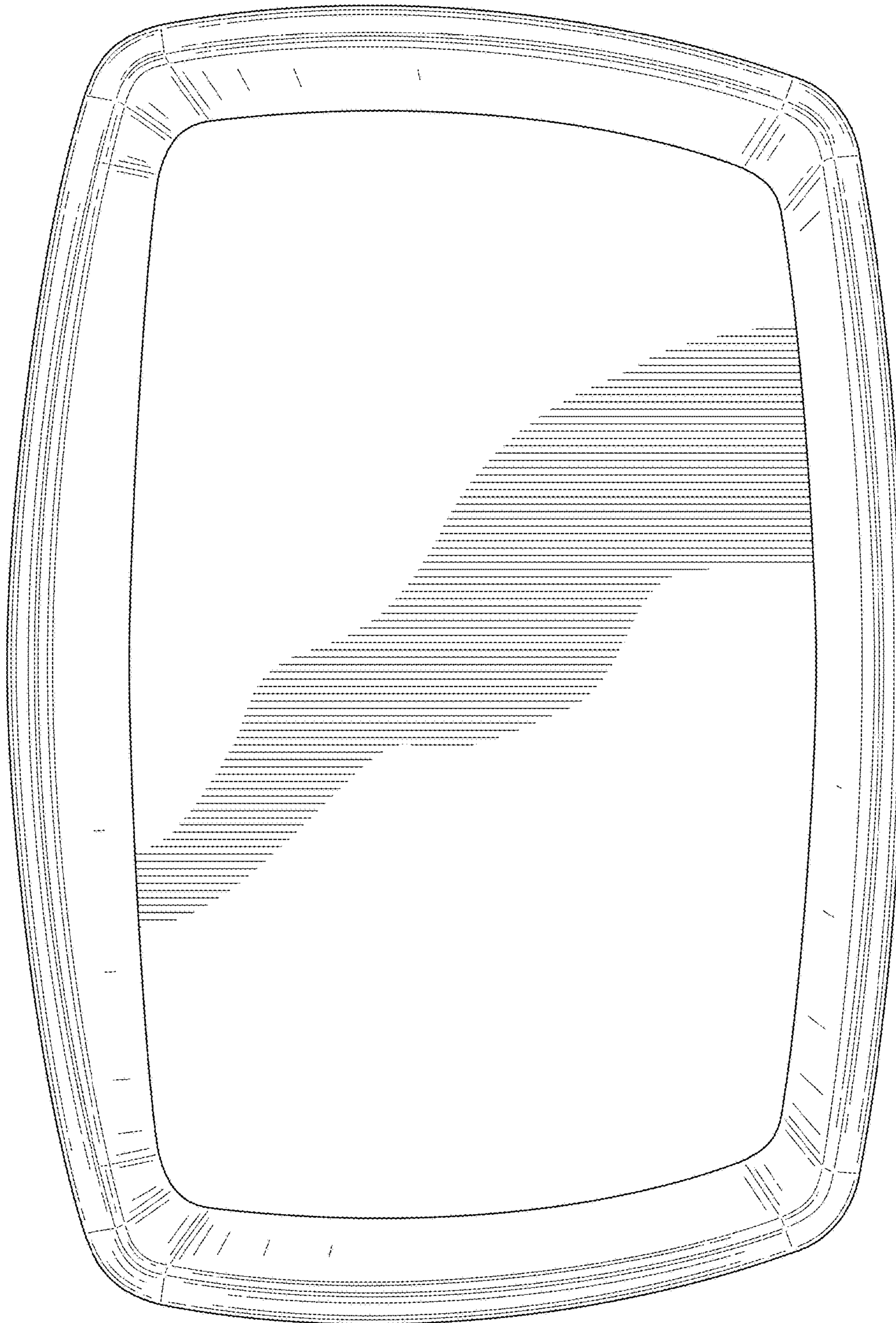


FIG. 6

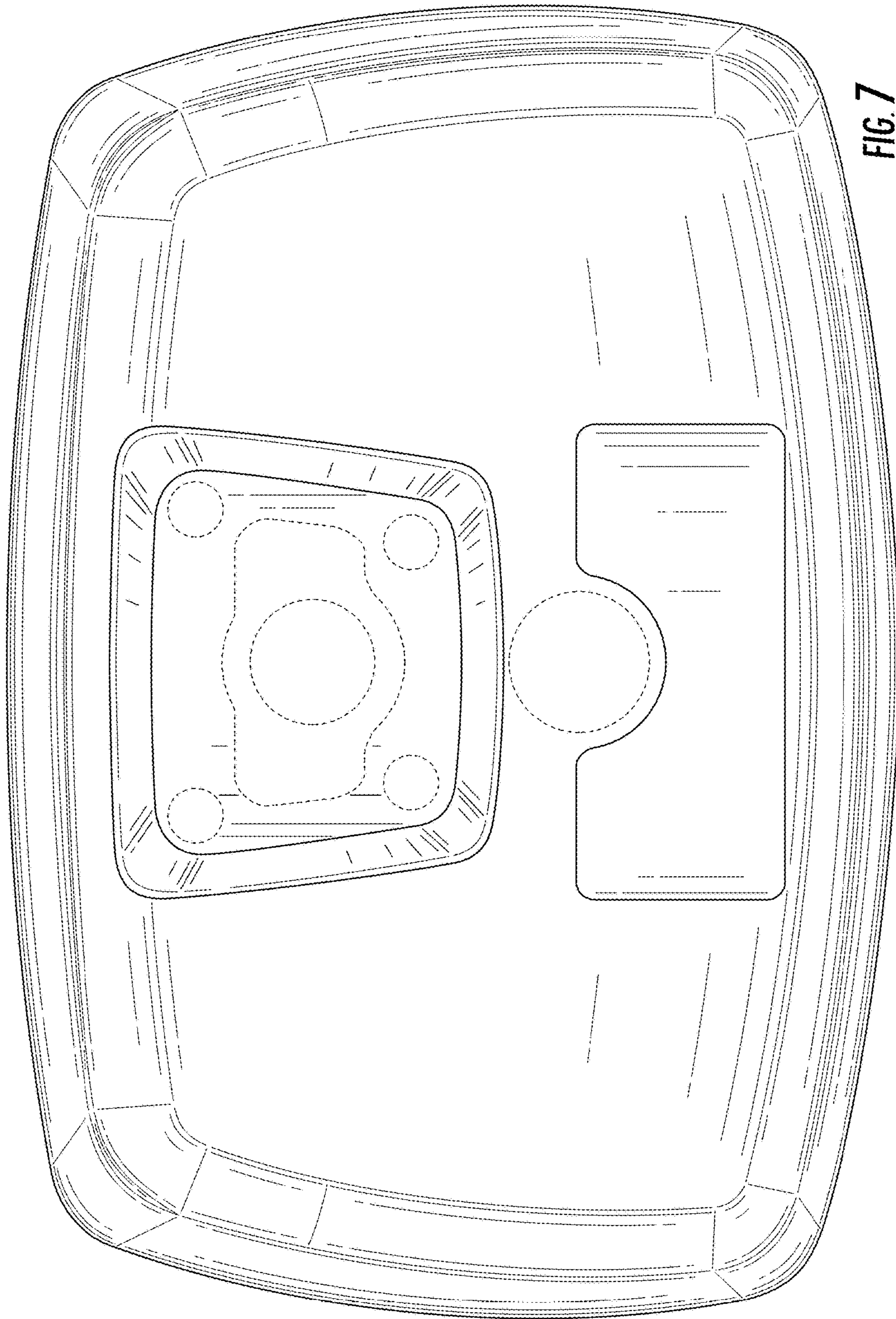


FIG. 7

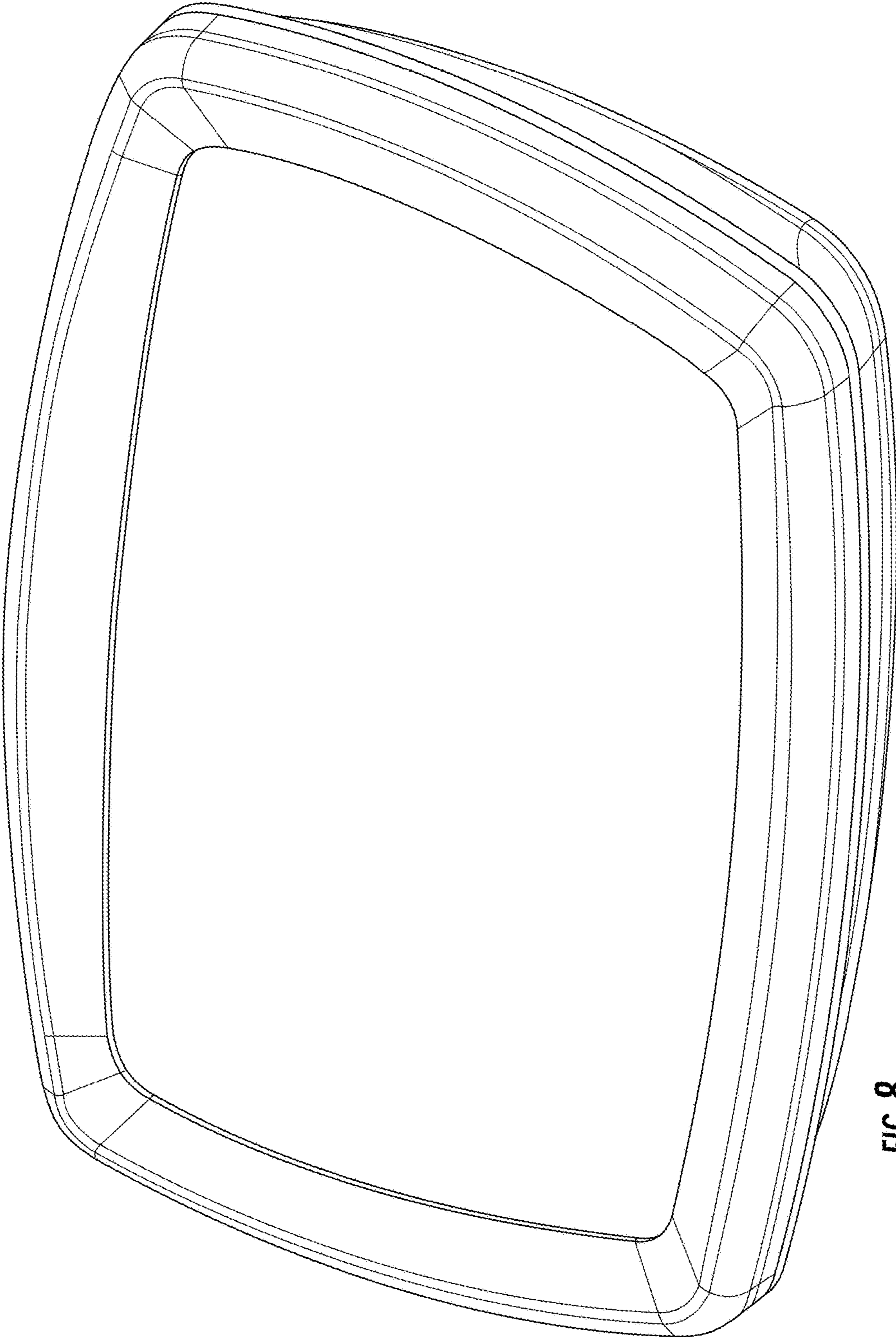


FIG. 8

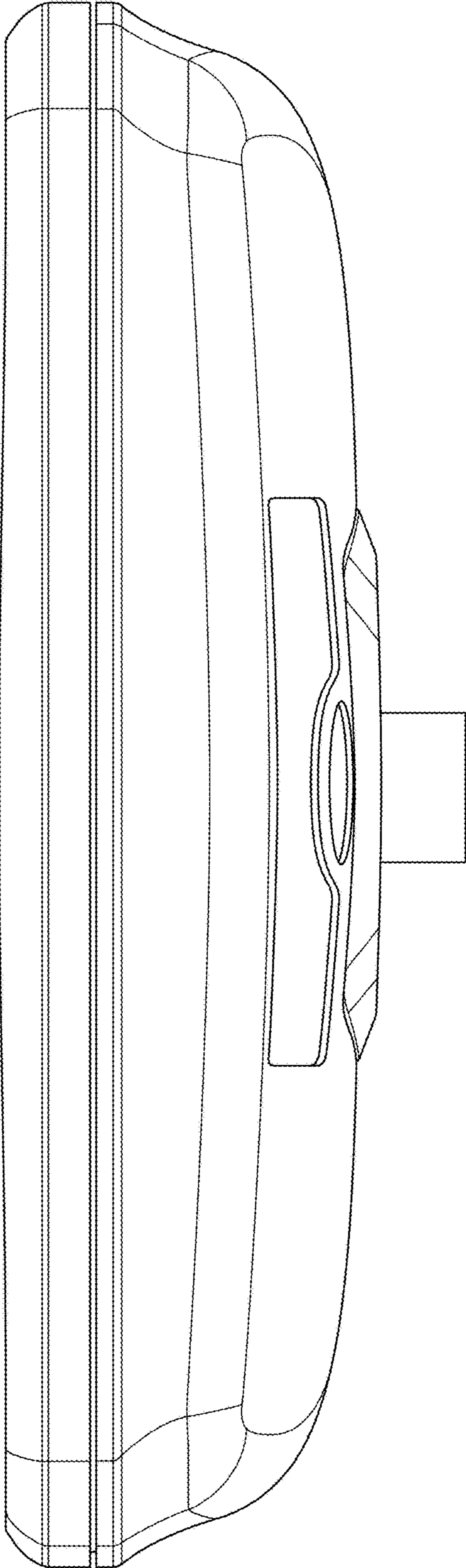


FIG. 9

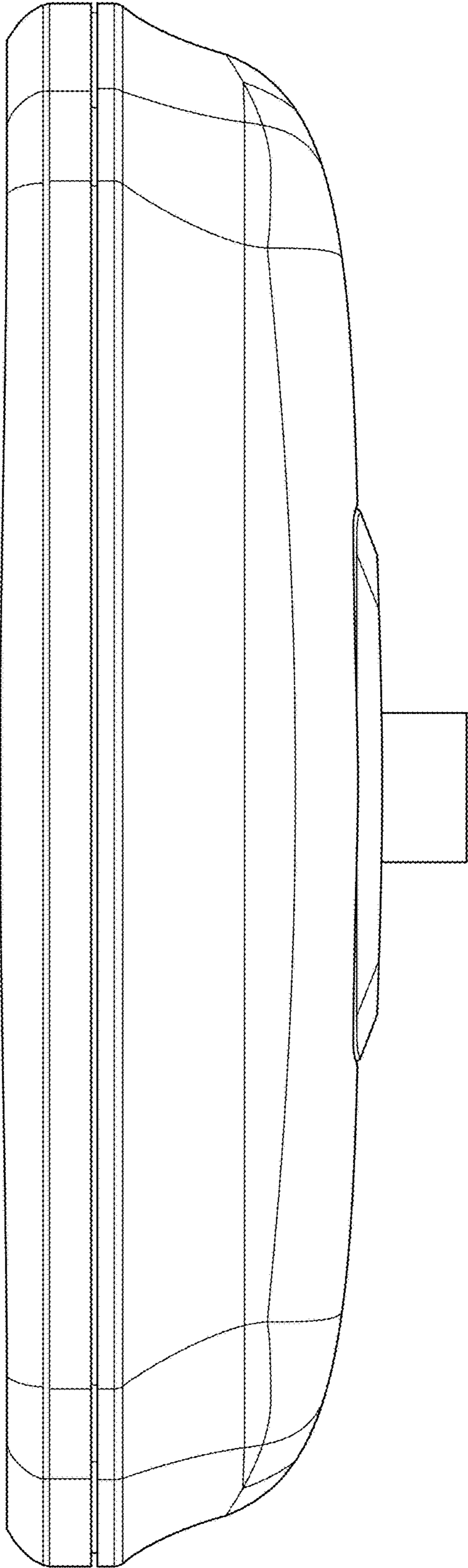


FIG. 10

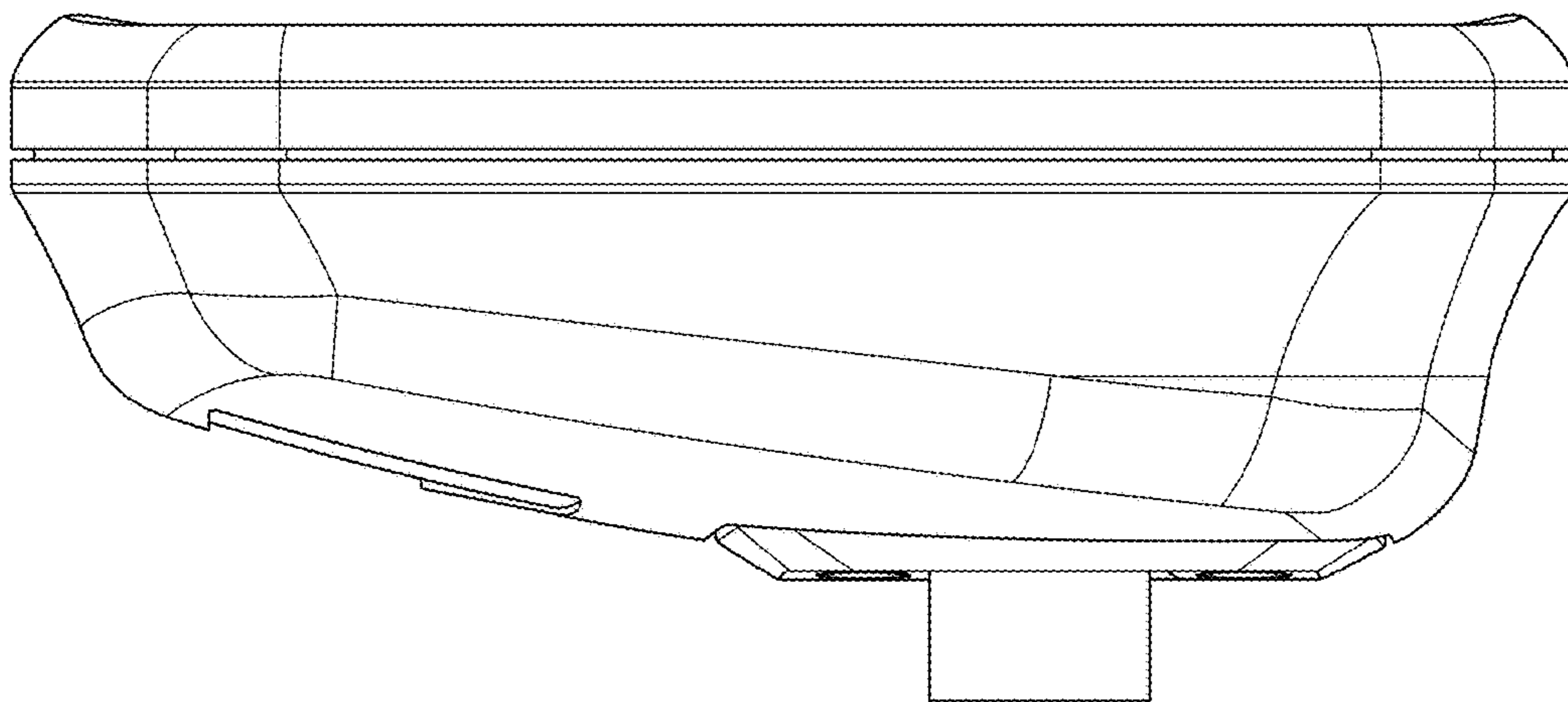


FIG. 11

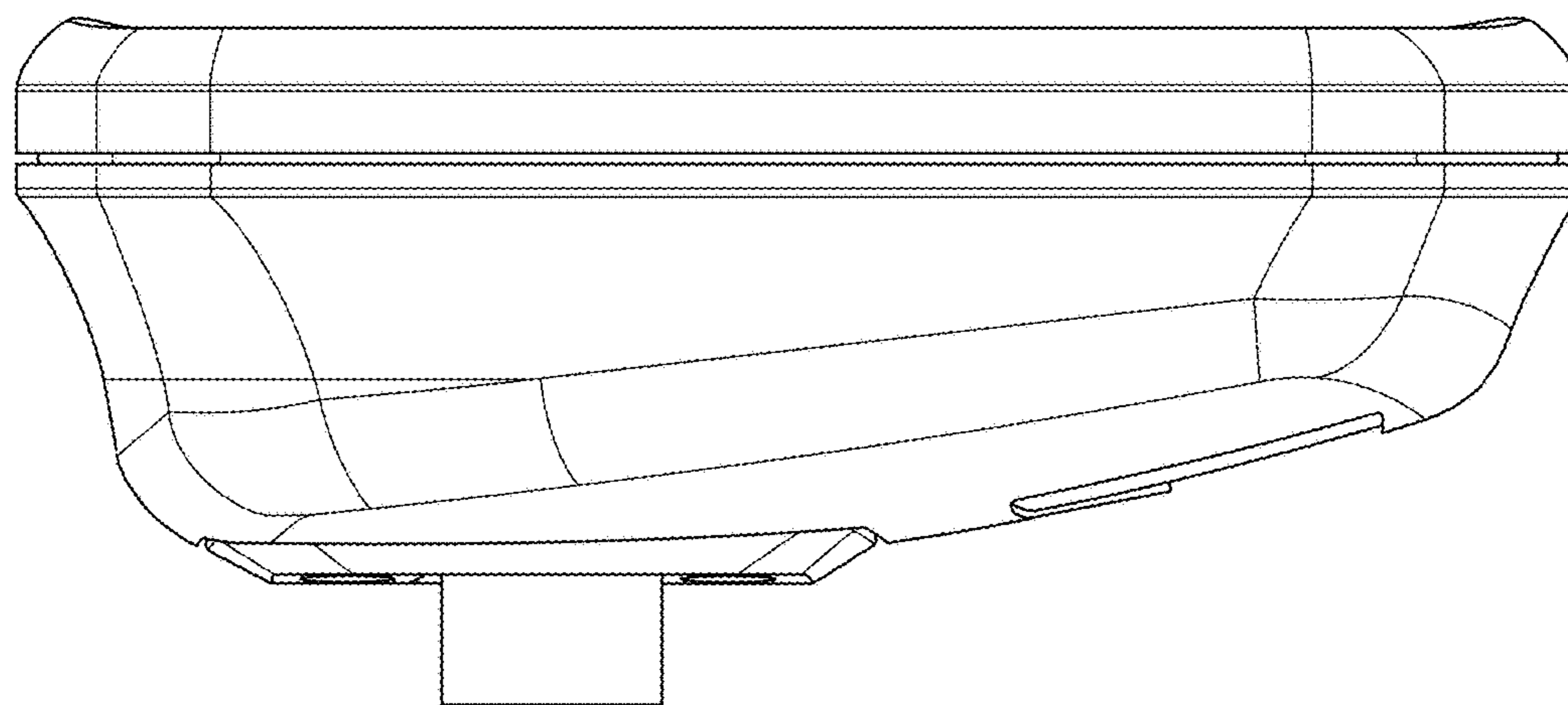


FIG. 12

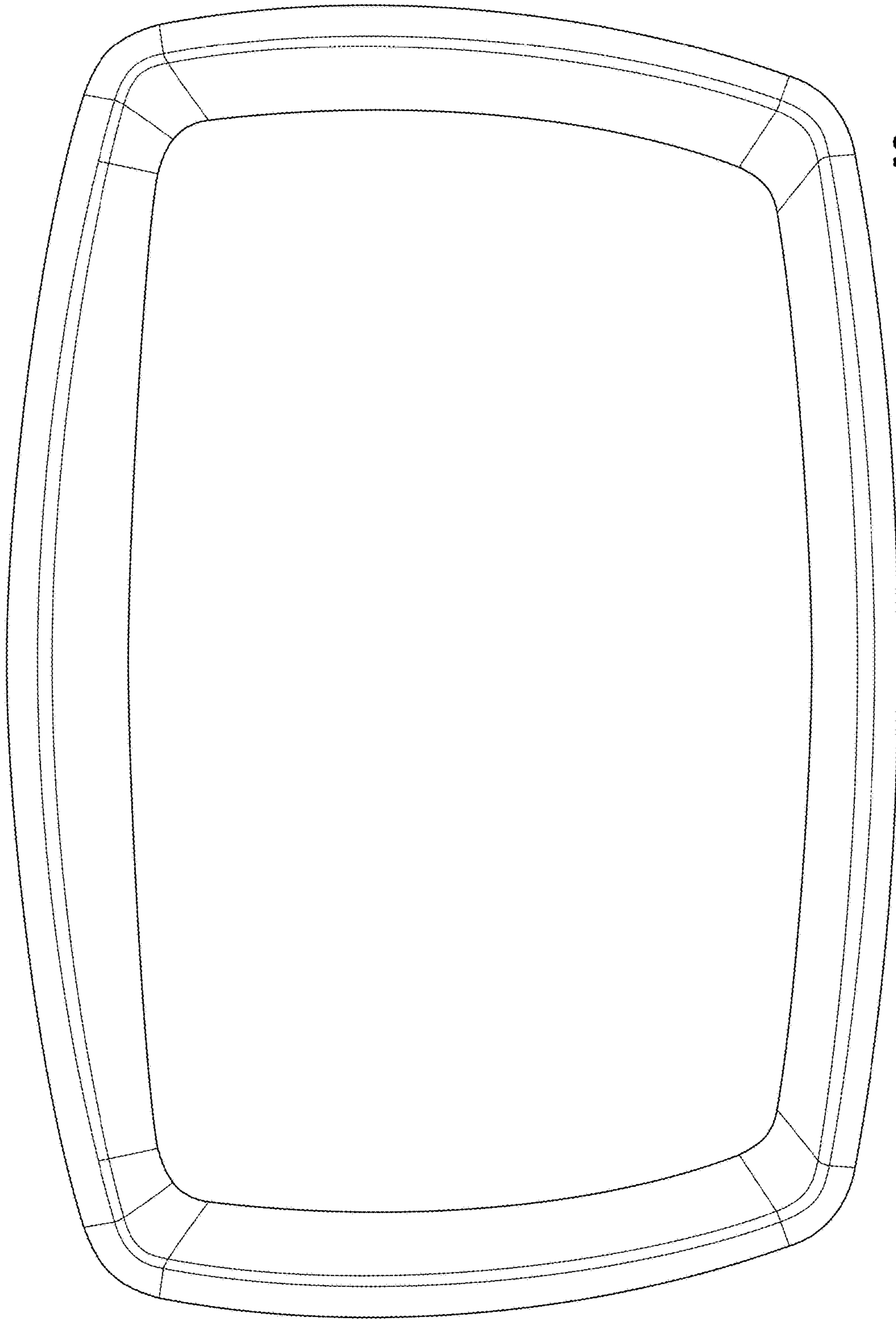


FIG. 13

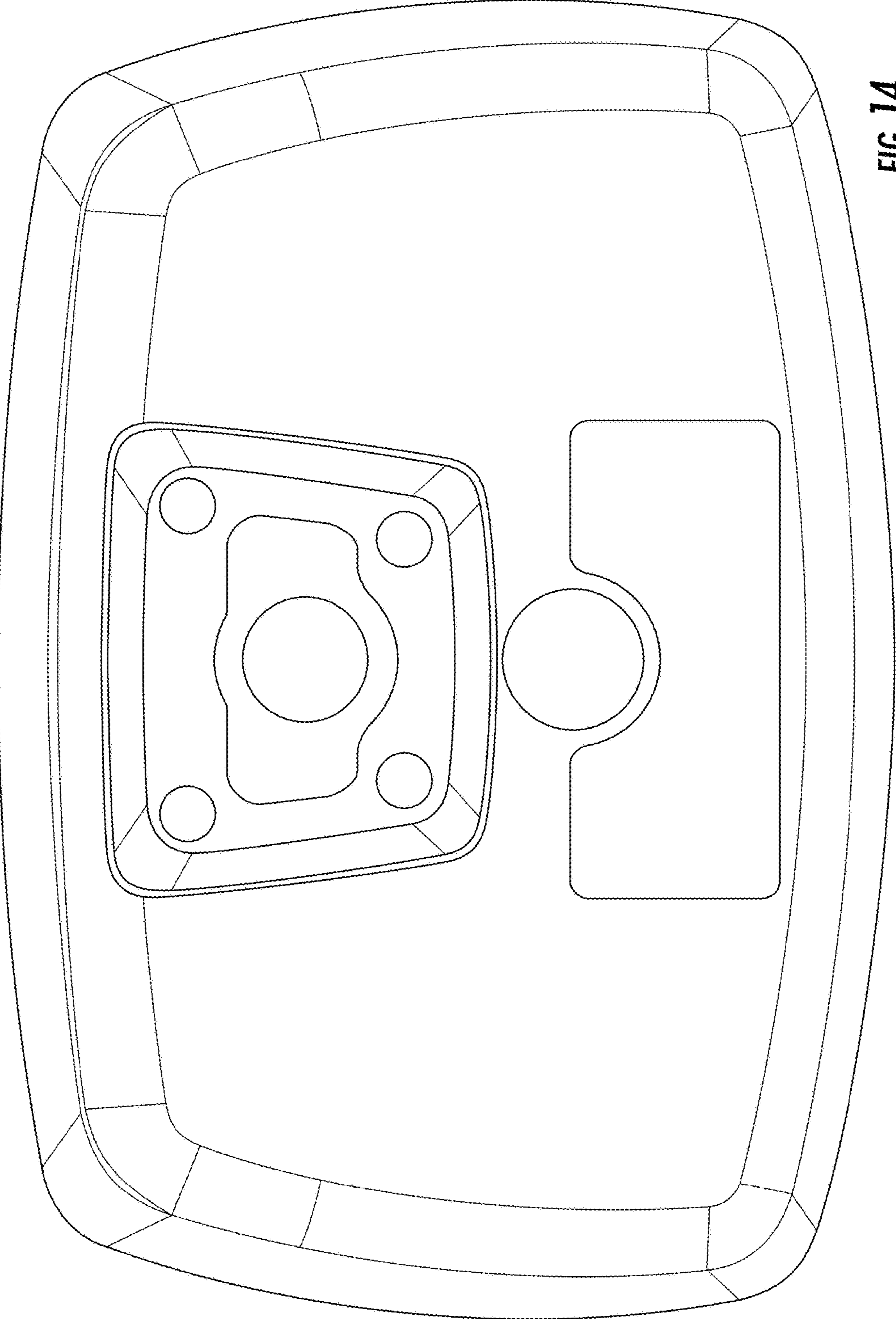


FIG. 14