



US00D826741S

(12) **United States Design Patent**  
**Stockman**

(10) **Patent No.:** **US D826,741 S**

(45) **Date of Patent:** **\*\* Aug. 28, 2018**

(54) **LAYOUT MARKING TEMPLATE**

(71) Applicant: **Don Stockman**, Riverside, CA (US)

(72) Inventor: **Don Stockman**, Riverside, CA (US)

(\*\*) Term: **15 Years**

(21) Appl. No.: **29/581,347**

(22) Filed: **Oct. 18, 2016**

(51) **LOC (11) Cl.** ..... **10-04**

(52) **U.S. Cl.**  
USPC ..... **D10/64**

(58) **Field of Classification Search**  
USPC ..... D10/64, 65  
CPC ... B25H 7/00; B43L 7/00; B43L 7/007; B43L  
13/04

See application file for complete search history.

(56) **References Cited**

**U.S. PATENT DOCUMENTS**

D345,511 S *	3/1994	Petrohilos	.....	D10/64
D355,859 S *	2/1995	Schroeder	.....	D10/64
D421,575 S *	3/2000	Palm	.....	D10/64
6,473,982 B1 *	11/2002	Schimes	.....	B25H 7/00 33/194
D491,823 S	6/2004	Schwarm		
D657,700 S	4/2012	Suess		
D721,603 S	1/2015	Chernyshou		

D730,760 S	6/2015	Weaver
D738,234 S	9/2015	Larson
D741,731 S	10/2015	Lamanna et al.
D757,572 S	5/2016	Varney

\* cited by examiner

*Primary Examiner* — Antoine Duval Davis

(74) *Attorney, Agent, or Firm* — Kirk A. Buhler; Buhler & Associates

(57) **CLAIM**

The ornamental design for a layout marking template, as shown and described.

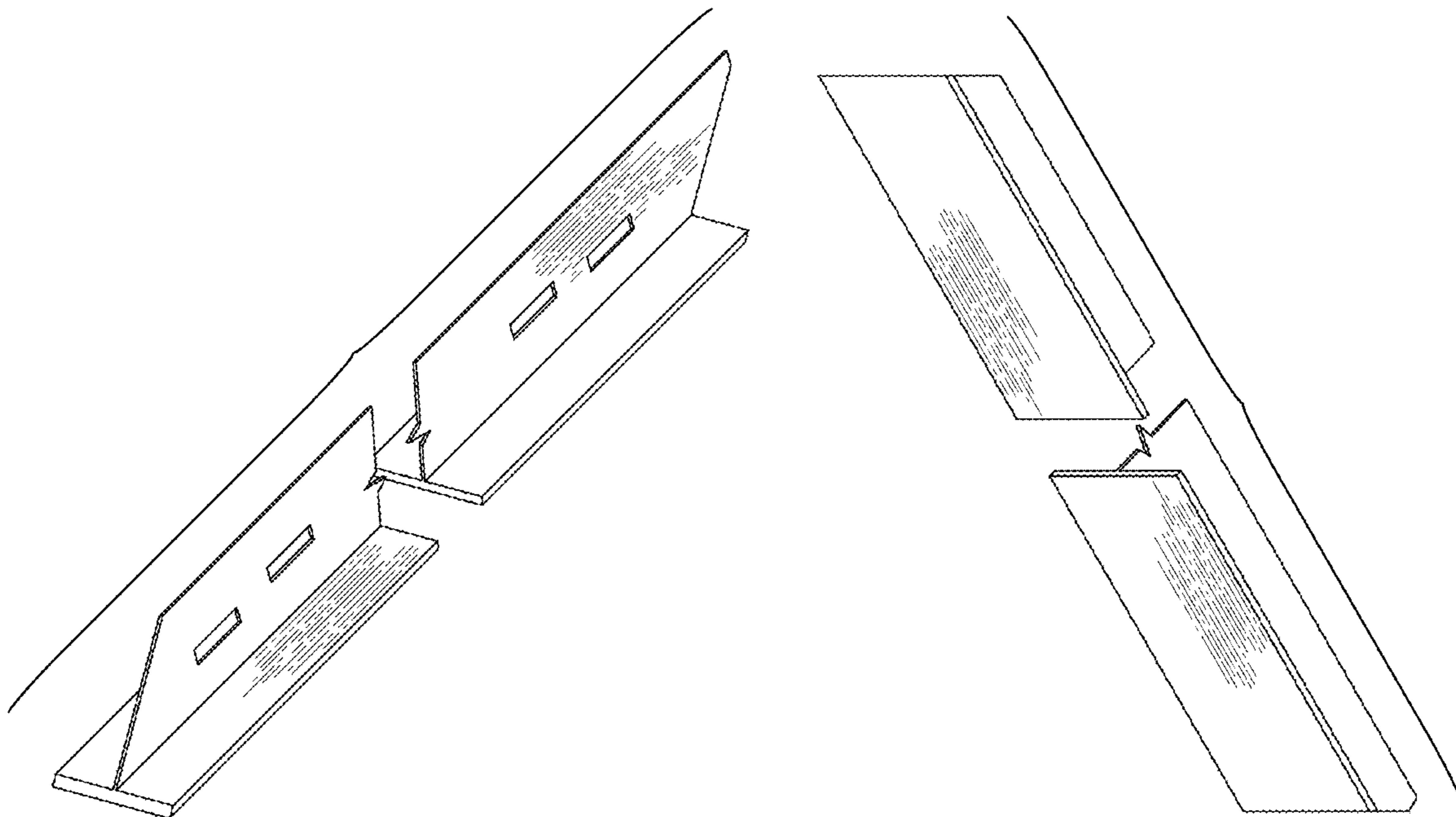
**DESCRIPTION**

FIG. 1 is a top perspective view for a layout marking template showing my new design; FIG. 2 is a top side view thereof; FIG. 3 is a right side view thereof; FIG. 4 is a bottom side view thereof; FIG. 5 is a left side view thereof; FIG. 6 is a front side view thereof; FIG. 7 is a rear side view thereof; and, FIG. 8 is a bottom perspective view.

The claimed design is shown broken away to indicate that no particular length of the layout marking template forms a part of the claimed design.

The claimed design is shown with a symbolic break in its length. The appearance of any portion of the article between the break lines forms no part of the claimed design.

**1 Claim, 5 Drawing Sheets**



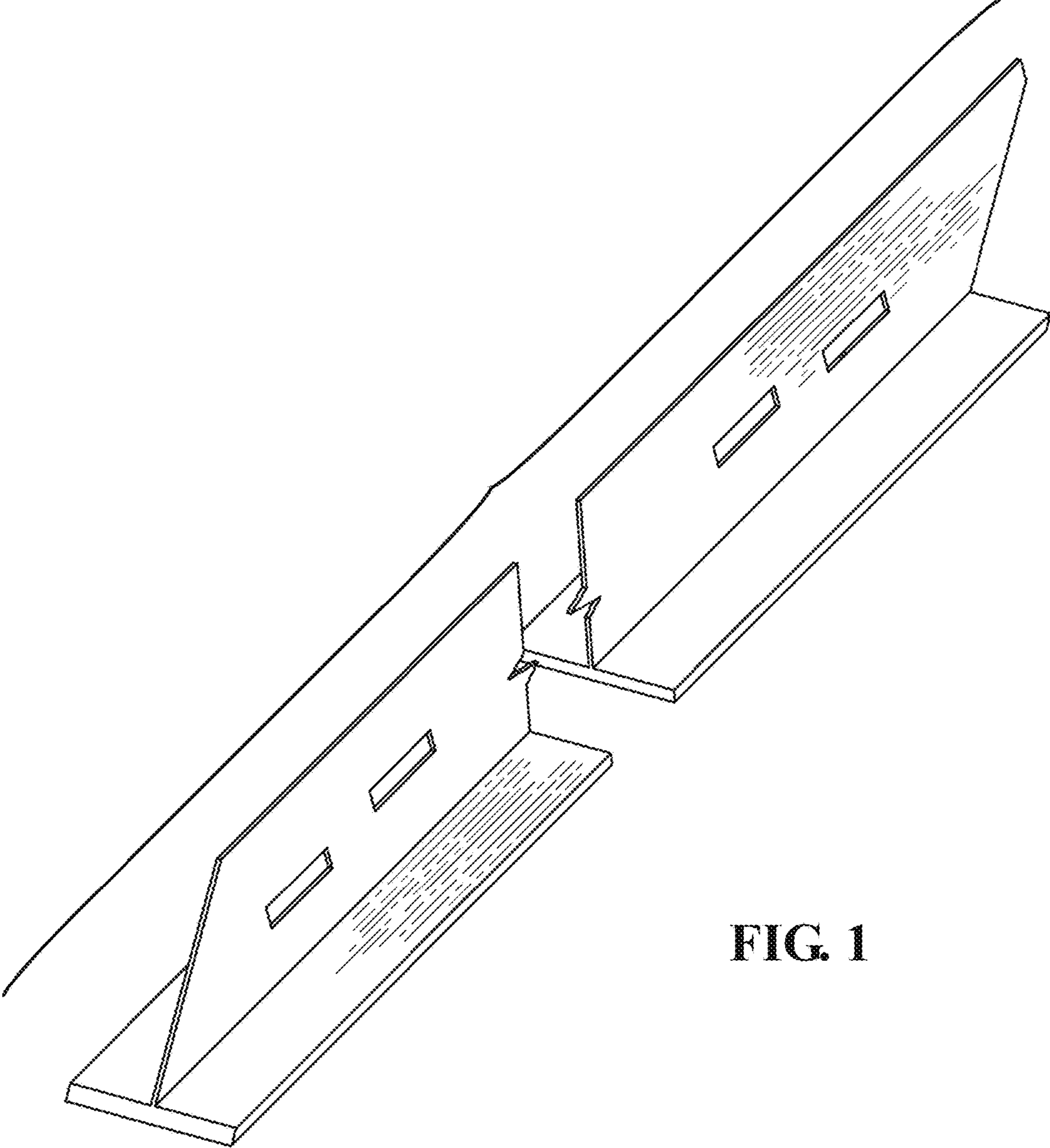
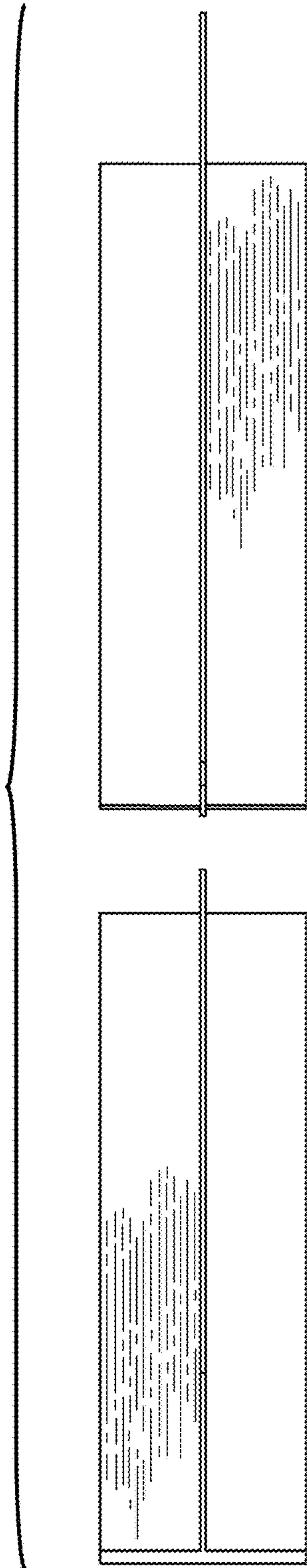
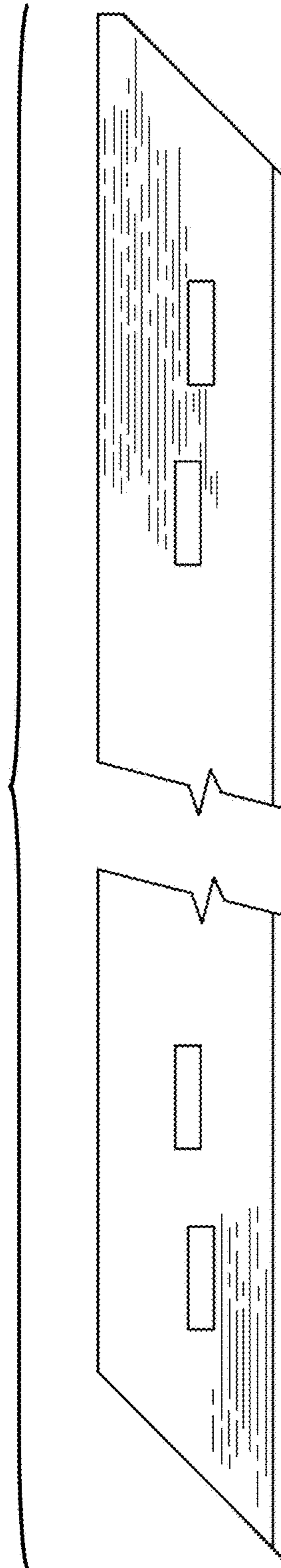


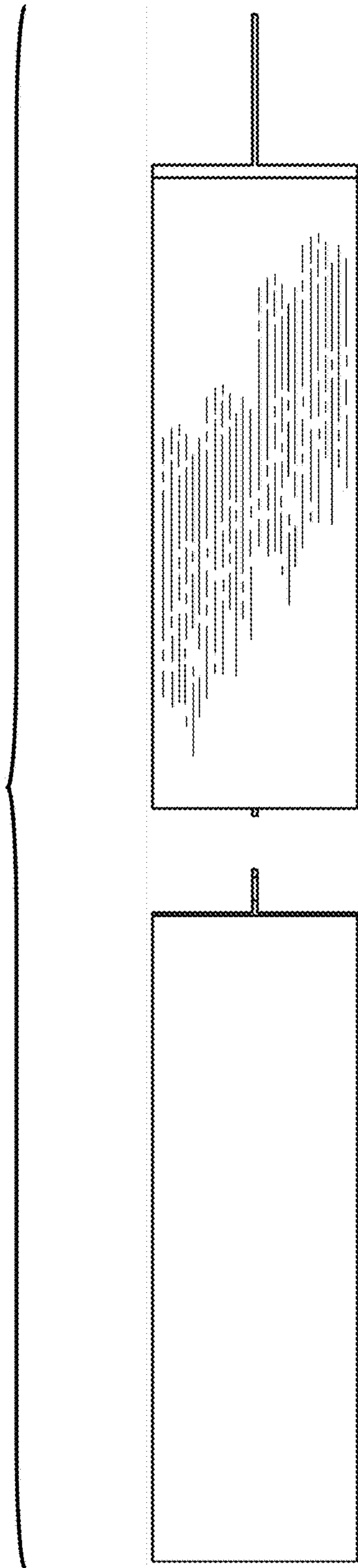
FIG. 1



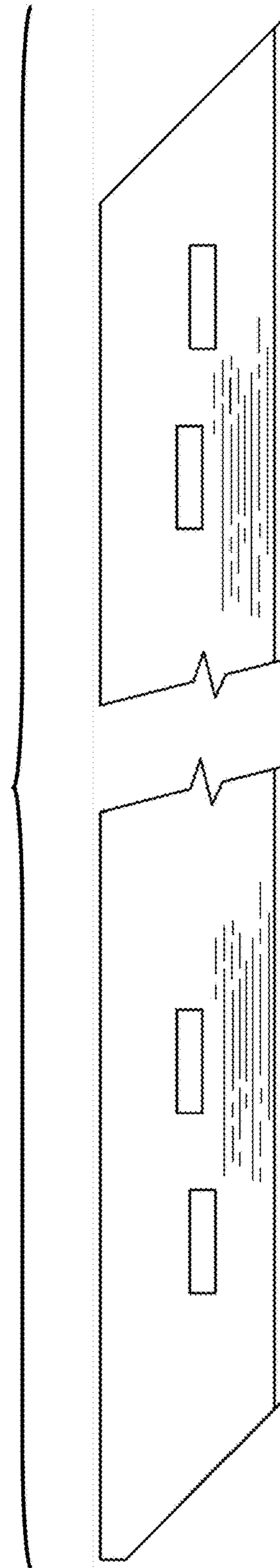
**FIG. 2**



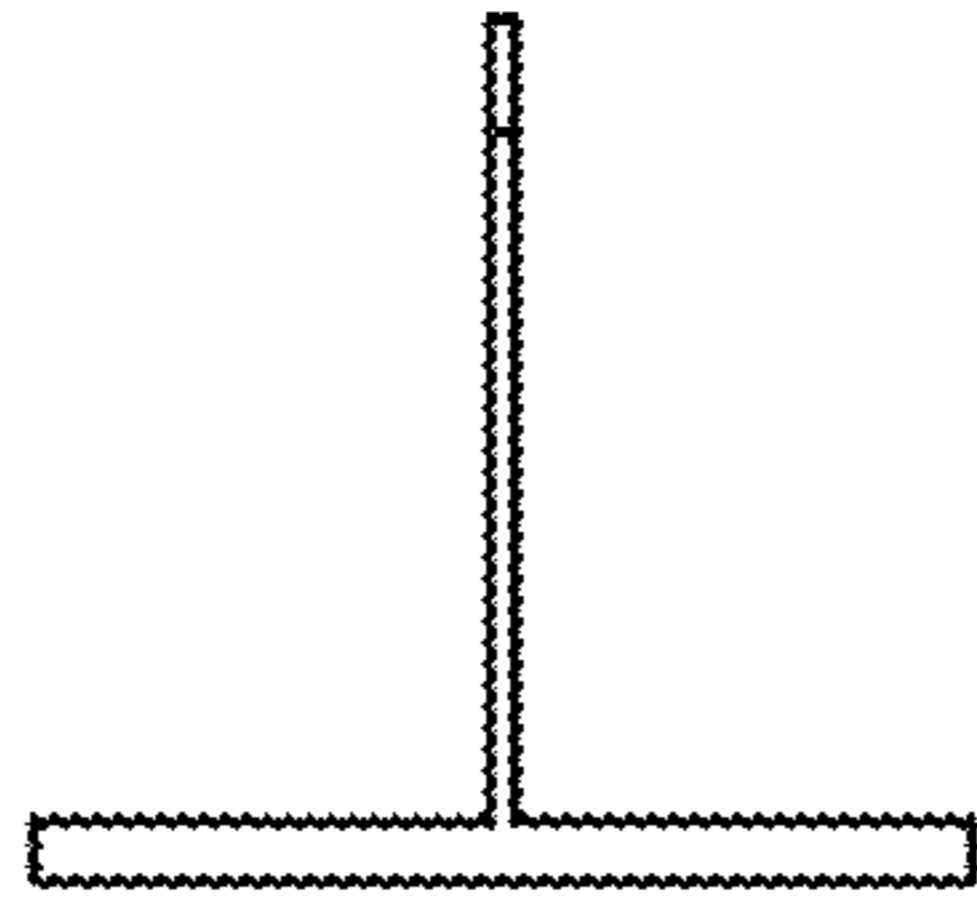
**FIG. 3**



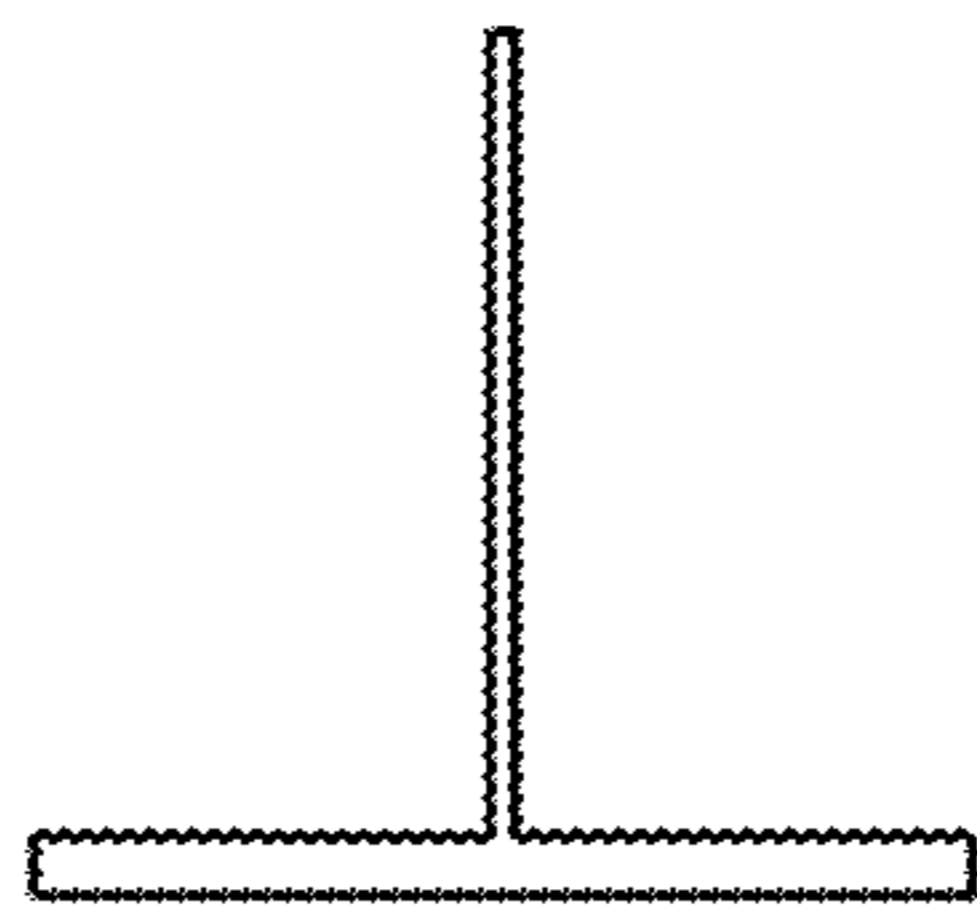
**FIG. 4**



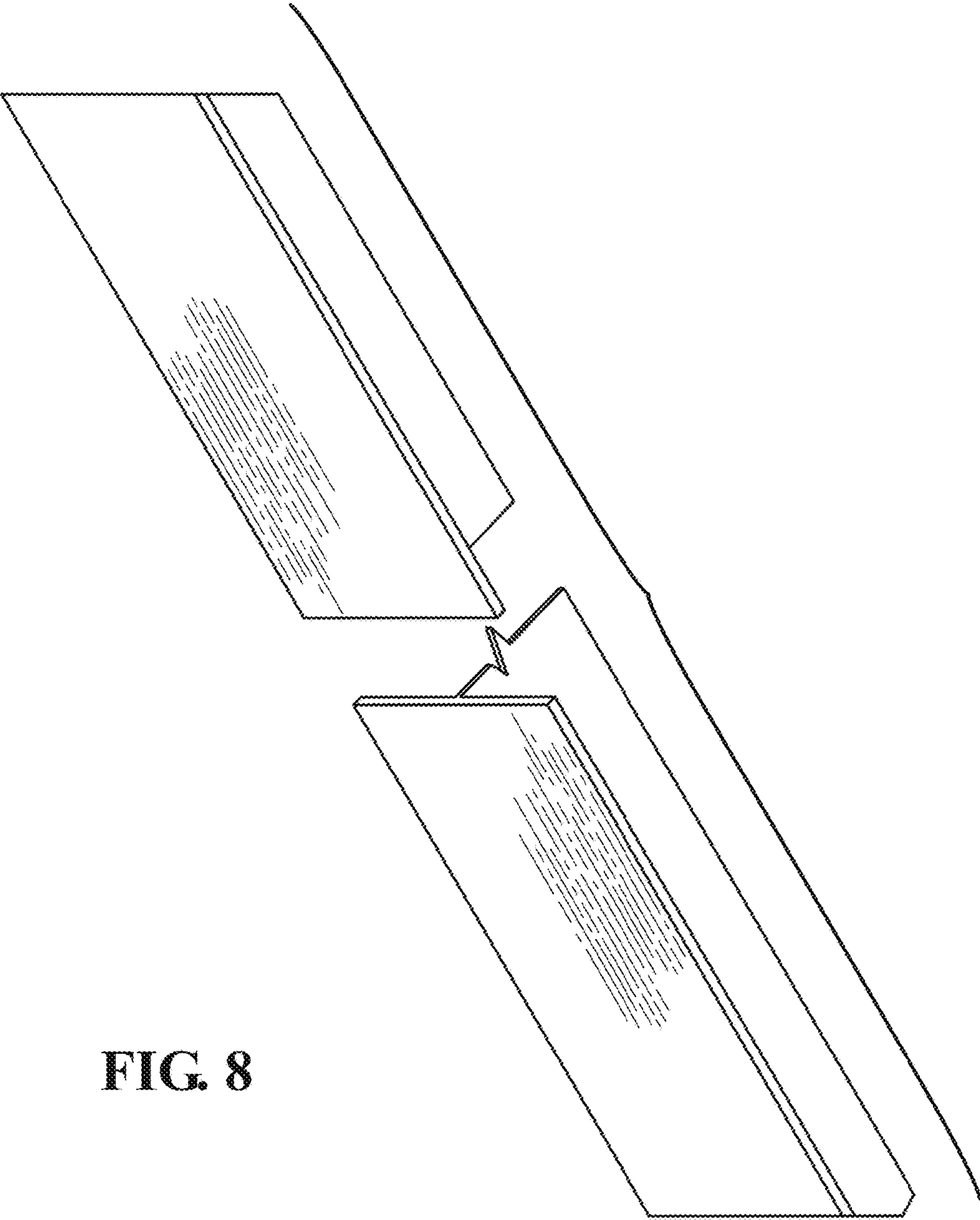
**FIG. 5**



**FIG. 6**



**FIG. 7**



**FIG. 8**