



US00D826739S

(12) **United States Design Patent** (10) **Patent No.:** **US D826,739 S**
Eramo (45) **Date of Patent:** **** Aug. 28, 2018**

(54) **DIFFERENTIAL SCANNING MICROCALORIMETER**

(71) Applicant: **Malvern Panalytical Inc.**,
Westborough, MA (US)

(72) Inventor: **Greg Eramo**, Northampton, MA (US)

(73) Assignee: **MALVERN PANALYTICAL, INC.**,
Westborough, MA (US)

(**) Term: **15 Years**

(21) Appl. No.: **35/001,328**

(22) Filed: **Feb. 17, 2017**

(80) **Hague Agreement Data**

Int. Filing Date: **Feb. 17, 2017**
 Int. Reg. No.: **DM/097302**
 Int. Reg. Date: **Feb. 17, 2017**
 Int. Reg. Pub. Date: **Aug. 25, 2017**

(51) **LOC (11) Cl.** **10-04**

(52) **U.S. Cl.**
USPC **D10/52**

(58) **Field of Classification Search**
 USPC D10/52
 CPC A61K 41/0047; G01N 25/4866; G01N 25/48; A45C 1/12; E05B 67/02; E05G 1/026; G01K 17/00
 See application file for complete search history.

(56) **References Cited**

U.S. PATENT DOCUMENTS

3,505,024 A * 4/1970 Ohms G01N 25/48
374/31
 3,798,003 A * 3/1974 Ensley G01K 17/00
374/13
 4,080,908 A * 3/1978 Bianco E05G 1/026
109/66

5,046,339 A * 9/1991 Krell E05B 67/02
206/523
 5,217,690 A * 6/1993 Mudd G01K 17/00
374/12
 6,079,873 A * 6/2000 Cavicchi G01N 25/4866
374/10
 6,176,842 B1 * 1/2001 Tachibana A61K 41/0047
604/101.03
 7,401,482 B1 * 7/2008 Shaw A45C 1/12
109/45

* cited by examiner

Primary Examiner — George D. Kirschbaum
 (74) *Attorney, Agent, or Firm* — Morrison & Foerster
 LLP

(57) **CLAIM**

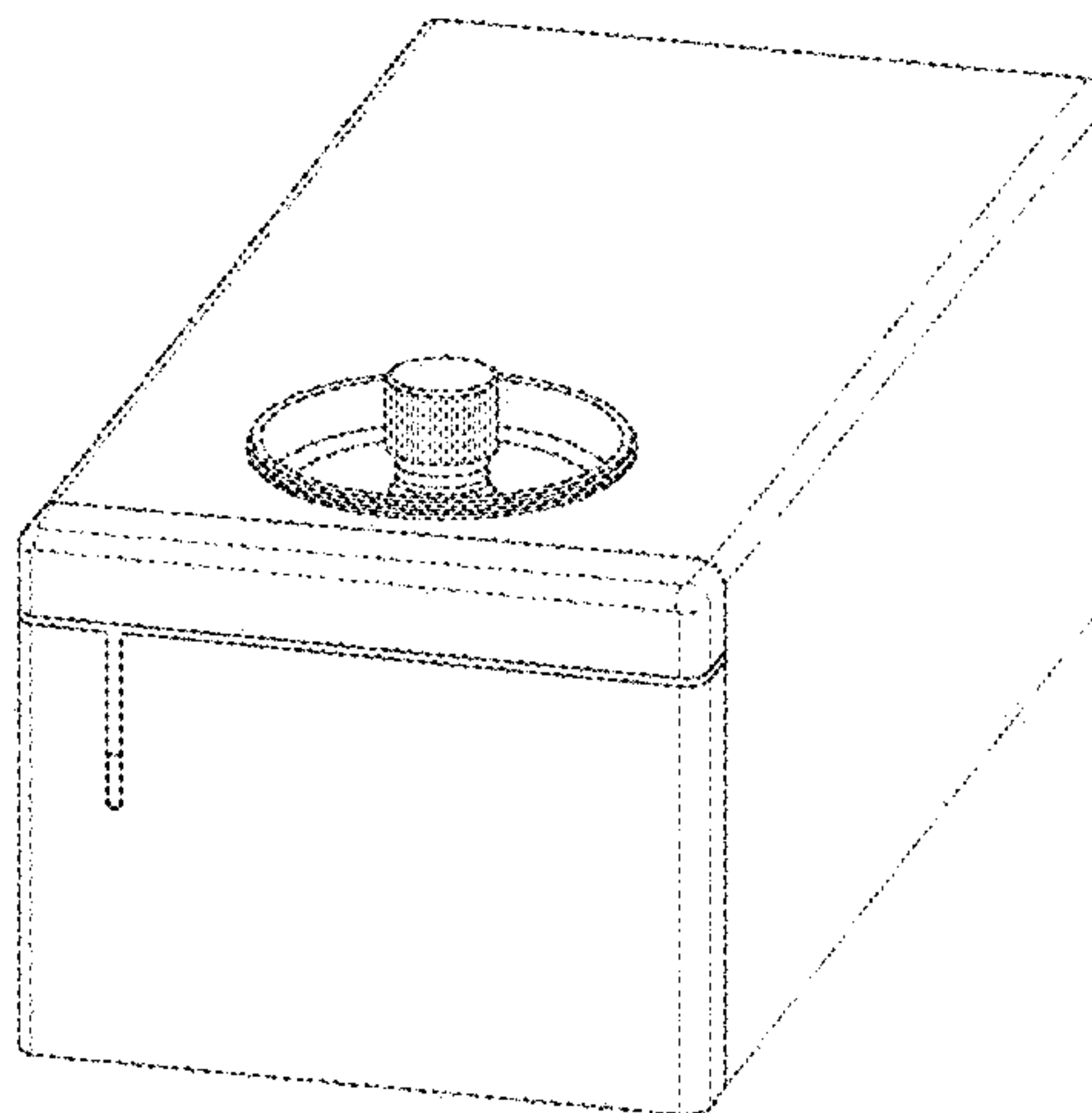
The ornamental design for a differential scanning microcalorimeter, as shown and described.

DESCRIPTION

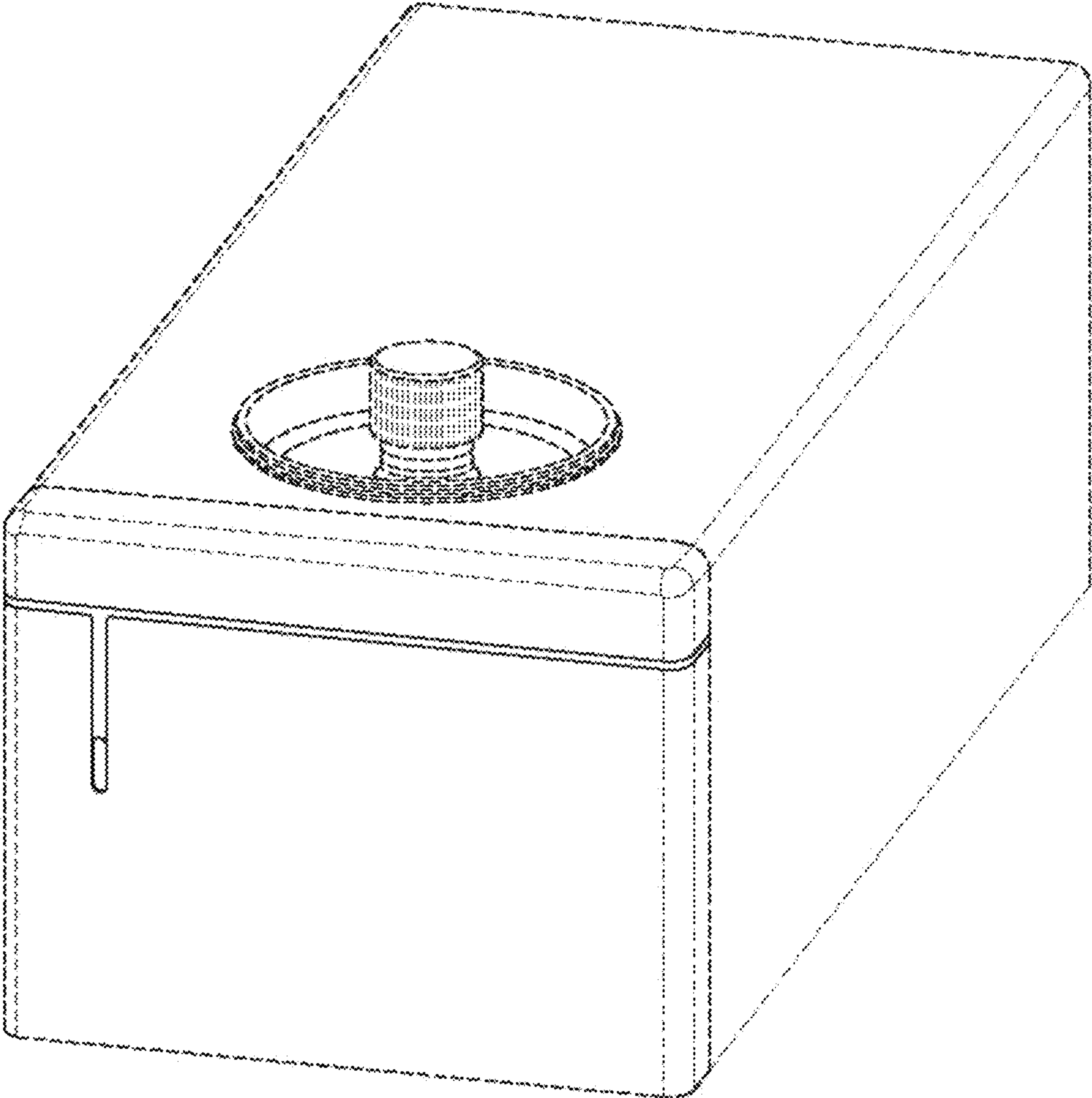
- 1. Differential scanning microcalorimeter
- 1.1 : Perspective
- 1.2 : Front
- 1.3 : Right
- 1.4 : Back
- 1.5 : Left
- 1.6 : Top
- 1.7 : Bottom
- 1.8 : Perspective
- 1.9 : Front
- 1.10 : Right
- 1.11 : Back
- 1.12 : Left
- 1.13 : Top
- 1.14 : Bottom

The broken line showing of portions of the differential scanning microcalorimeter is included for the purpose of illustrating portions of the “article” and forms no part of the claimed design.

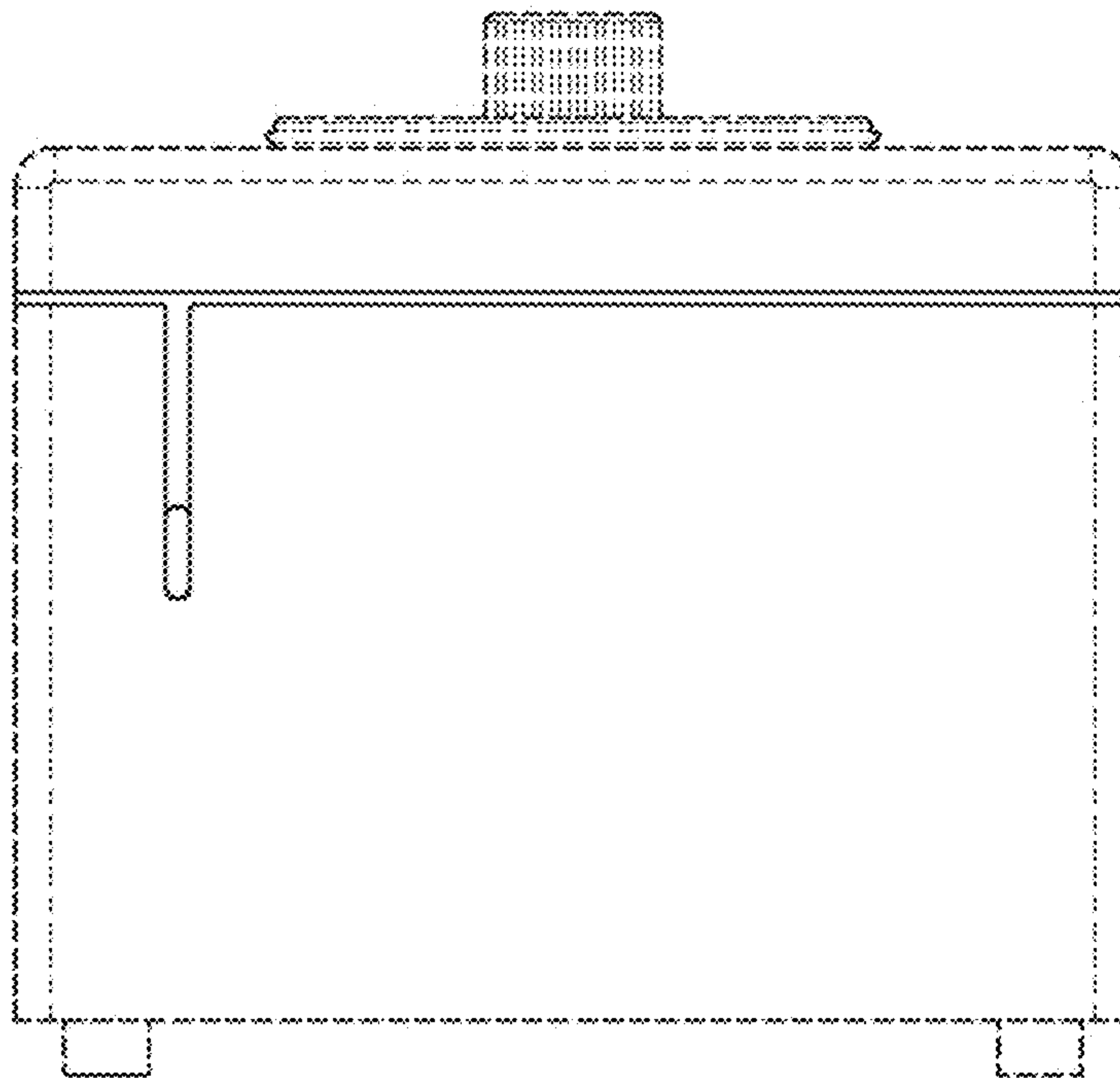
1 Claim, 14 Drawing Sheets



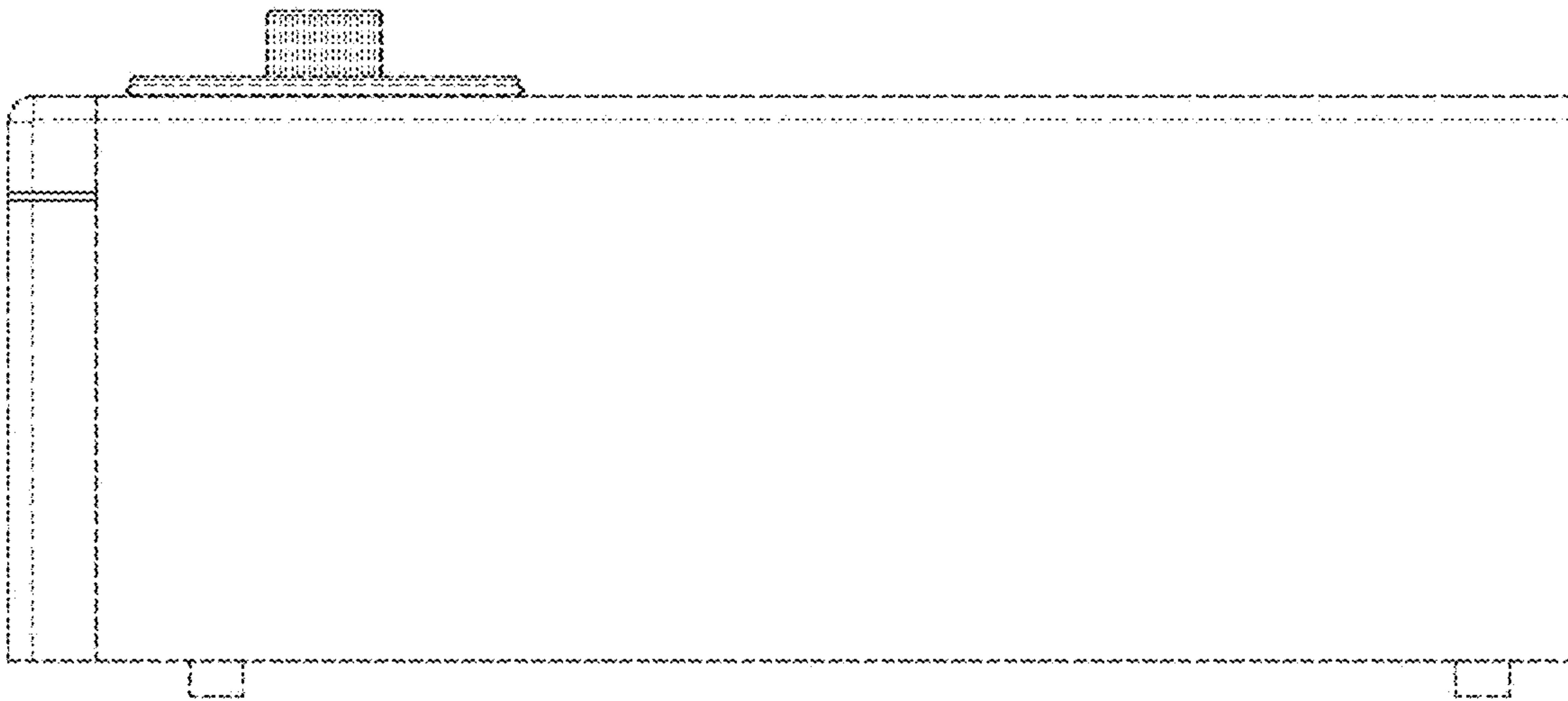
1.1



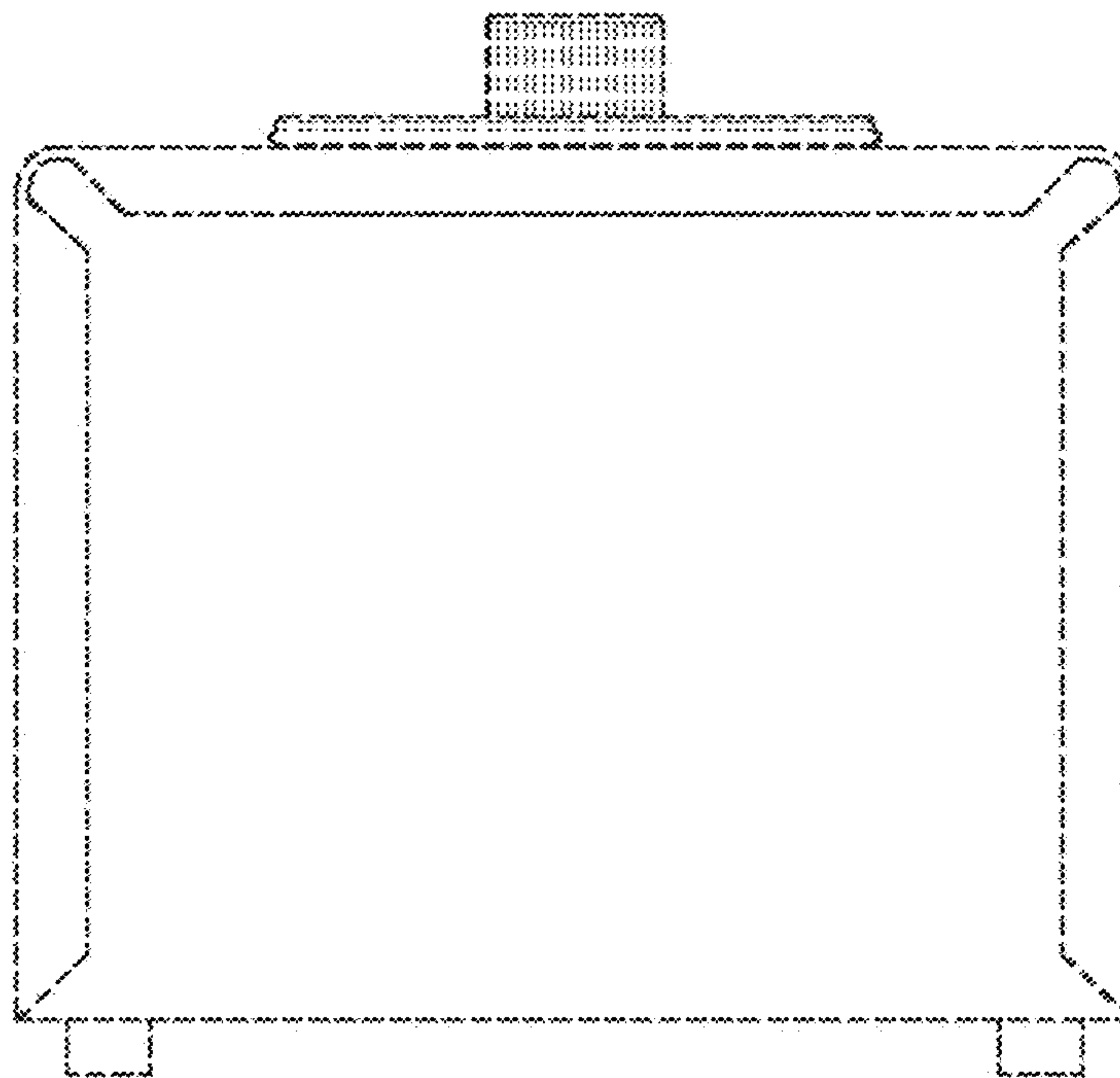
1.2



1.3



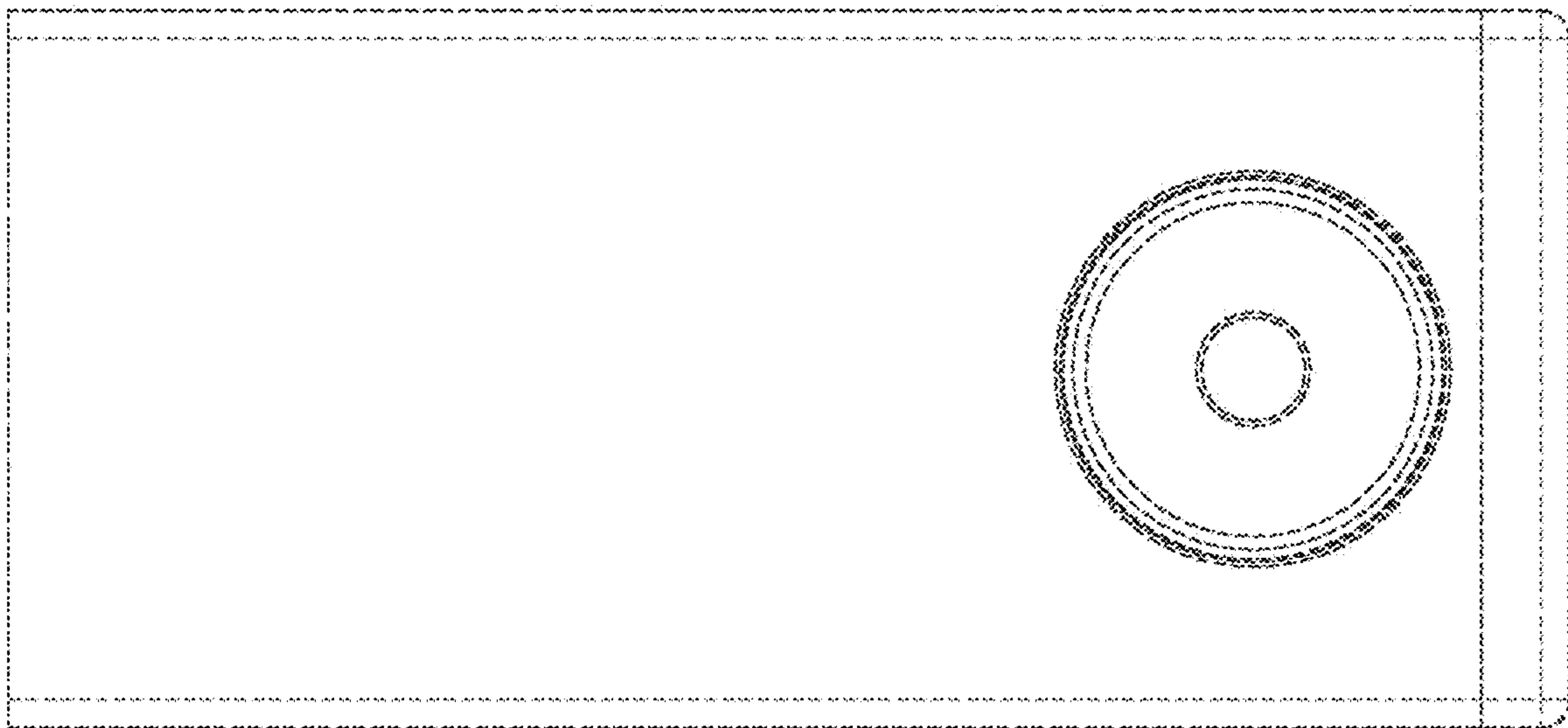
1.4



1.5



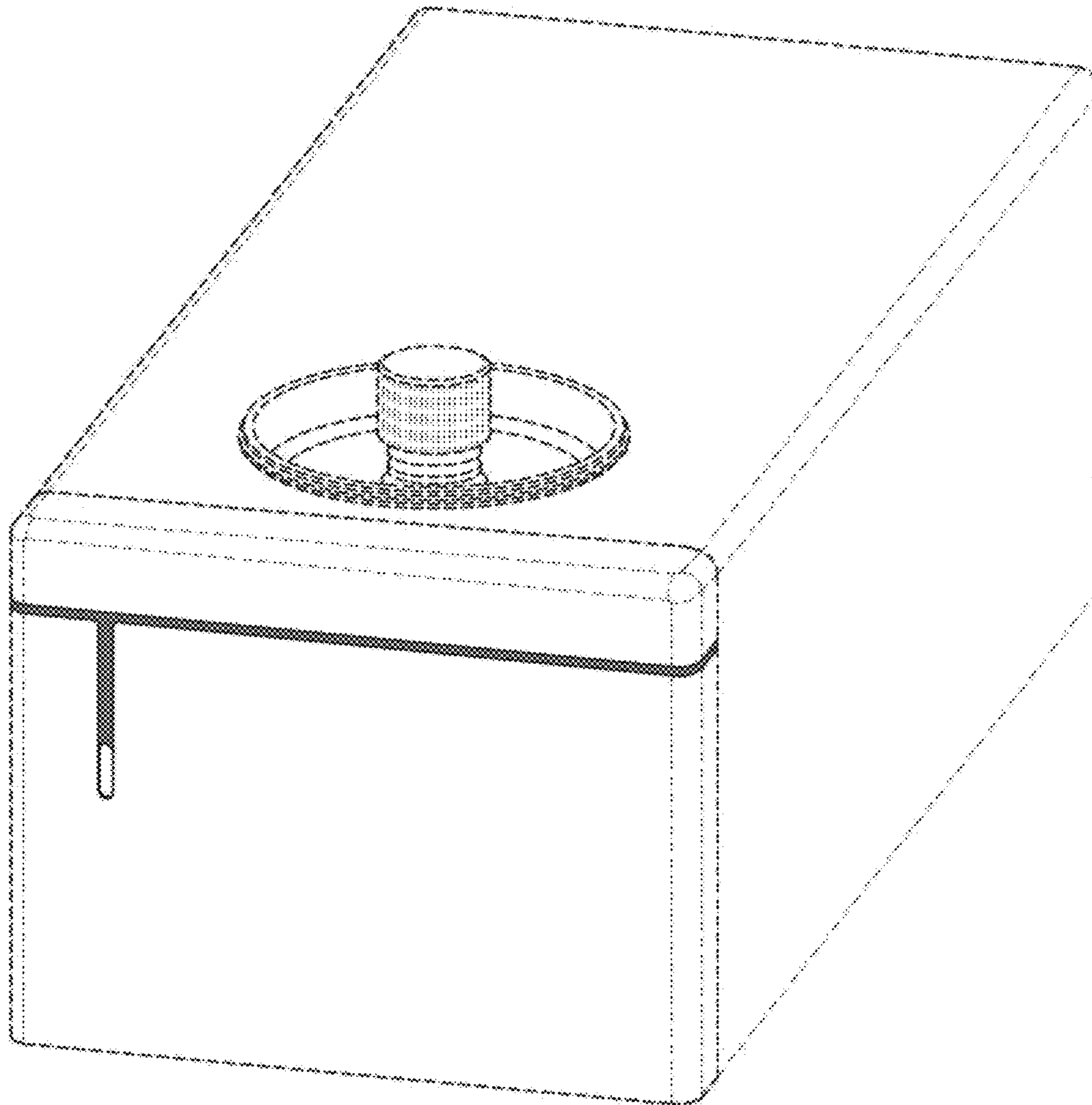
1.6



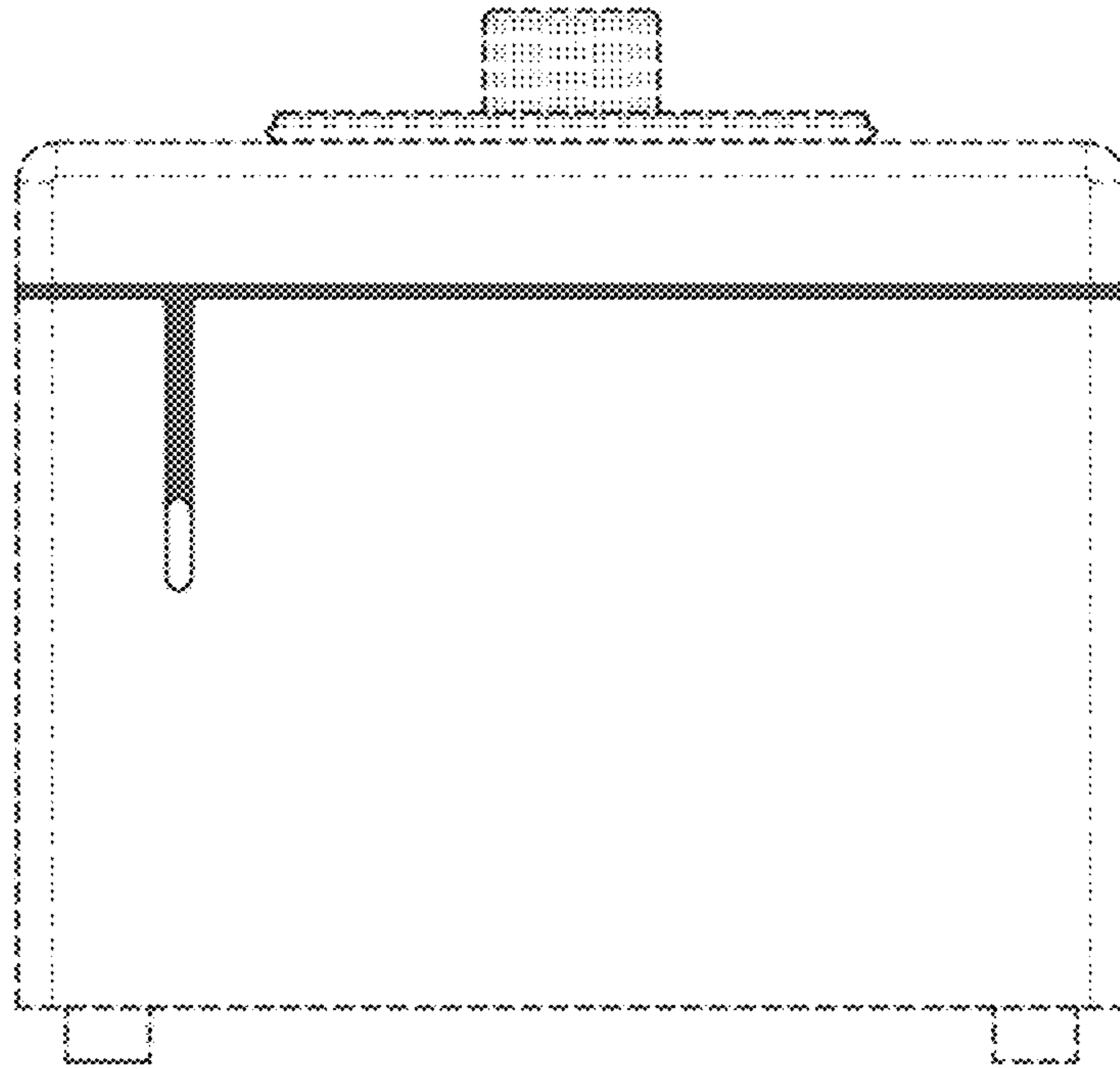
1.7



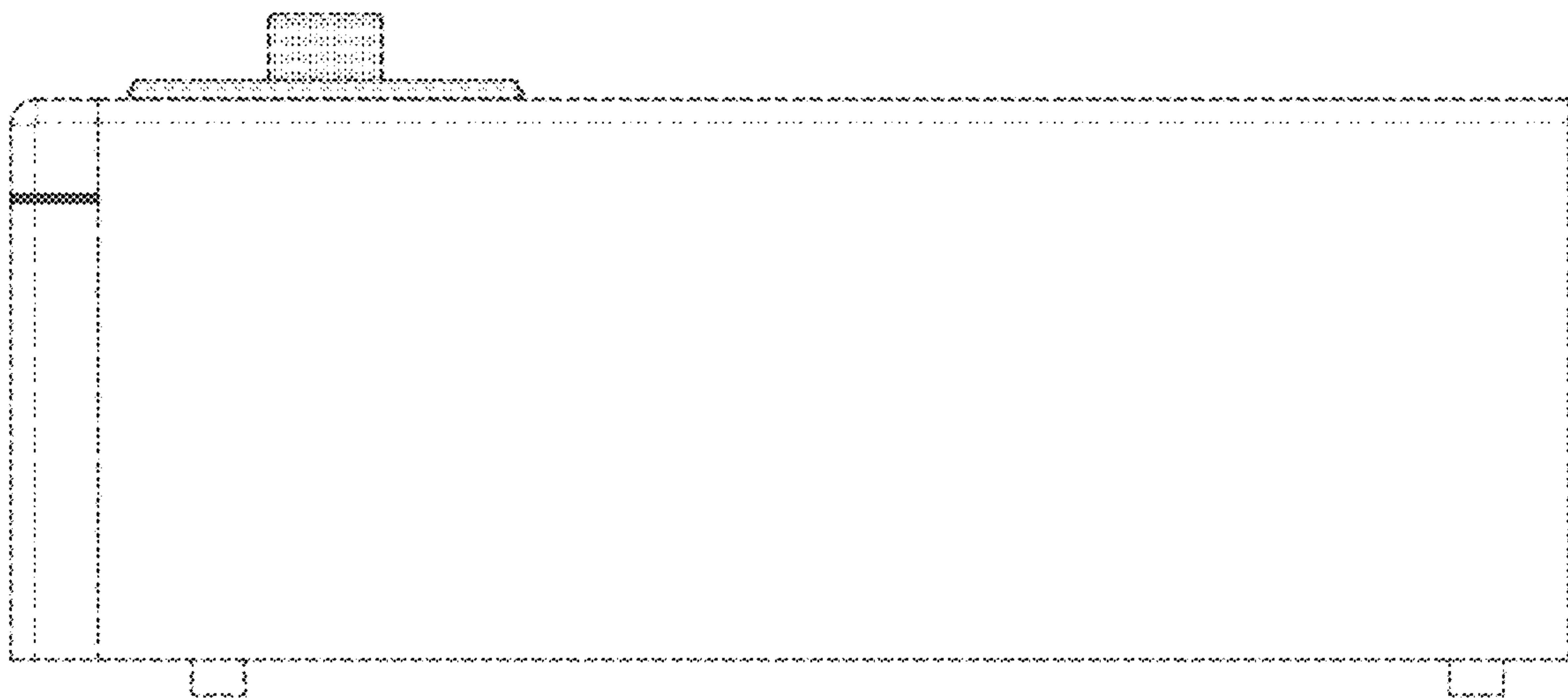
1.8



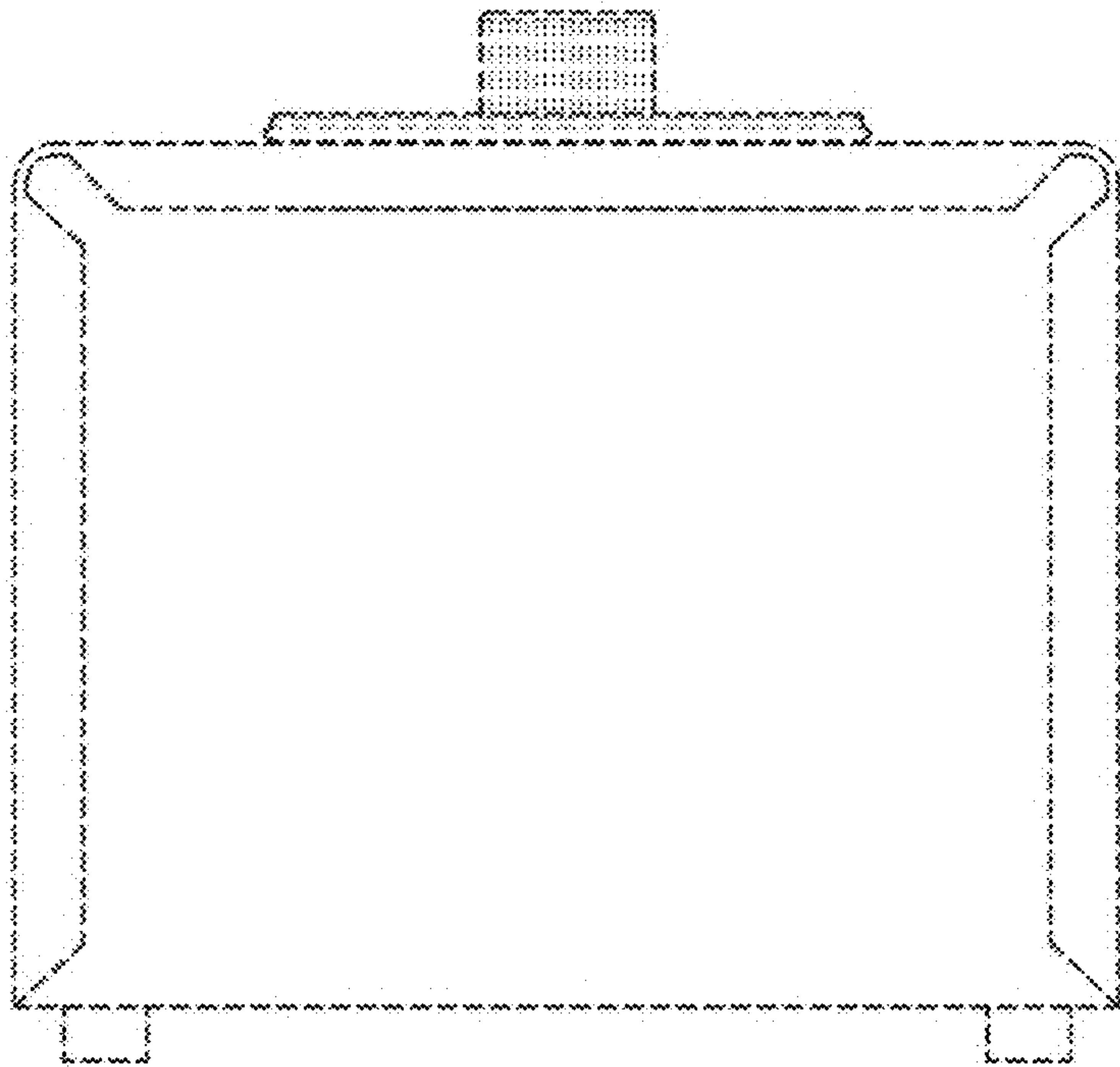
1.9



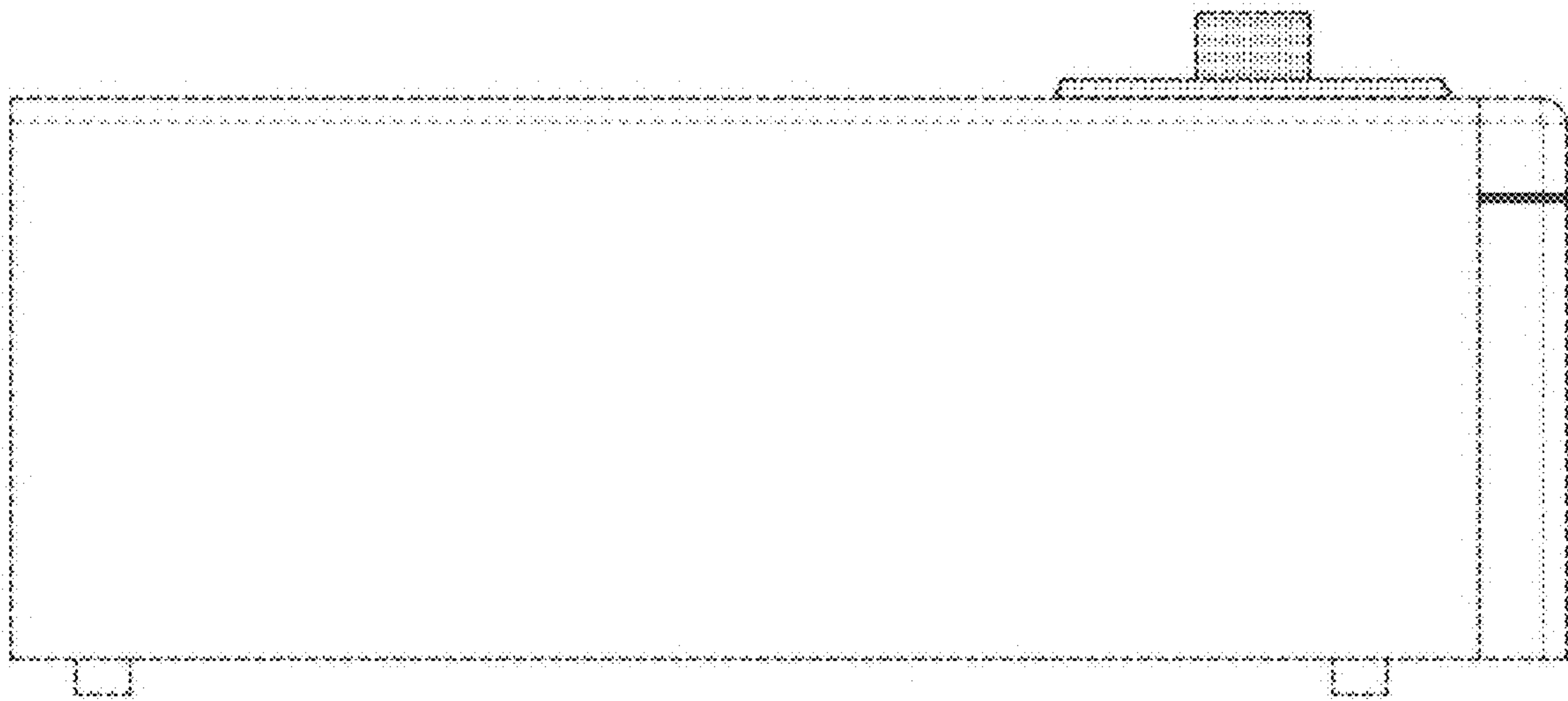
1.10



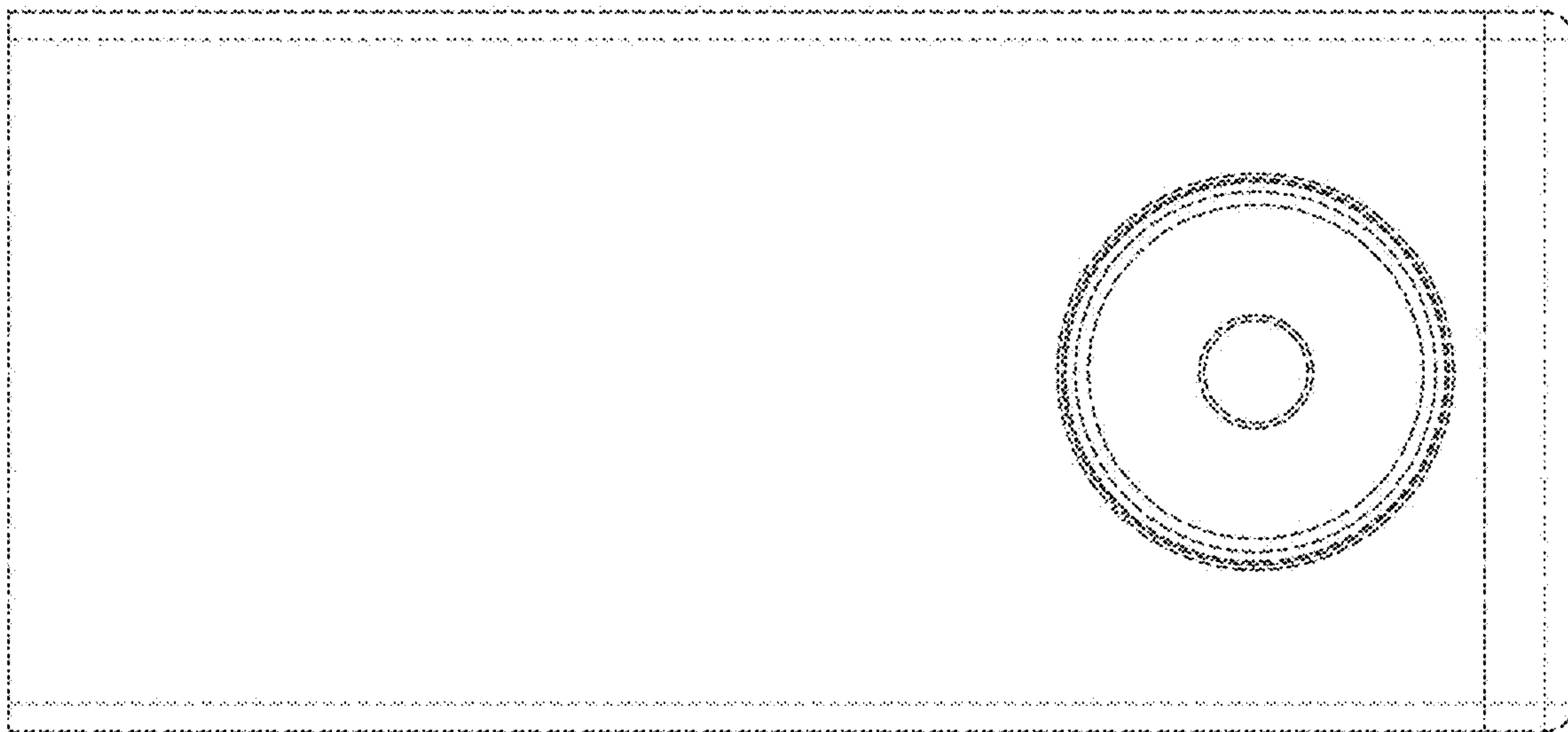
1.11



1.12



1.13



1.14

