



US00D826737S

(12) **United States Design Patent**  
**Meyerson et al.**

(10) **Patent No.:** **US D826,737 S**

(45) **Date of Patent:** **\*\* Aug. 28, 2018**

(54) **SEALABLE HOUSING FOR ENCLOSING SENSORS**

(71) Applicant: **Mesur.io**, Chapel Hill, NC (US)

(72) Inventors: **David C. Meyerson**, Chapel Hill, NC (US); **Michael F. Prorock**, Chapel Hill, NC (US)

(\*\*) Term: **15 Years**

(21) Appl. No.: **29/587,331**

(22) Filed: **Dec. 12, 2016**

(51) **LOC (11) Cl.** ..... **10-04**

(52) **U.S. Cl.**  
USPC ..... **D10/52; D10/53**

(58) **Field of Classification Search**  
USPC ..... D10/49, 50, 52, 53, 55, 56, 60, 104.1; D13/168, 184  
CPC .. F24F 11/001; F24F 11/0012; F24F 11/0086; F24F 2011/0057; F23N 2041/02; F23N 2025/12; G01K 1/02; G01K 1/022; G01K 1/024; G01K 1/026; G01K 1/045; G01K 1/08; G01K 1/20; G08B 17/10; G08B 3/10; G08B 25/10; G08B 21/10; G08B 21/14; G08B 21/16; G08B 21/18; G08B 29/145; G08B 29/183

See application file for complete search history.

(56) **References Cited**

**U.S. PATENT DOCUMENTS**

D414,476 S *	9/1999	Hibino .....	D13/101
D581,927 S *	12/2008	Sumii .....	D14/356
D661,668 S *	6/2012	Rose .....	D13/184
D691,965 S *	10/2013	Bedolla .....	D13/162
D726,161 S *	4/2015	Howard .....	D14/218
D743,954 S *	11/2015	Chuang .....	D13/168
D746,166 S *	12/2015	Li .....	D10/104.1
D756,811 S *	5/2016	Xiao .....	D10/52
D764,320 S *	8/2016	Li .....	D10/50

D780,136 S *	2/2017	Chudoba .....	D13/184
9,581,342 B2 *	2/2017	Daniels .....	F24D 19/10
D783,422 S *	4/2017	Kashimoto .....	D10/50
D800,582 S *	10/2017	Nishimura .....	D10/50
9,791,839 B2 *	10/2017	Matsuoka .....	G05B 15/02
D803,073 S *	11/2017	Ji .....	D10/52
2007/0047617 A1 *	3/2007	Thorne .....	G01K 1/02 374/163

(Continued)

*Primary Examiner* — Selina Sikder

(57) **CLAIM**

An ornamental design for a sealable housing for securely enclosing sensors, as shown and described.

**DESCRIPTION**

FIG. 1 is a front upper-left perspective view of an assembled sealable housing for securely enclosing sensors showing our new design;

FIG. 2 is a front lower-left perspective view thereof;

FIG. 3 is a front view thereof;

FIG. 4 is a left view thereof;

FIG. 5 is a right view thereof;

FIG. 6 is a top view thereof;

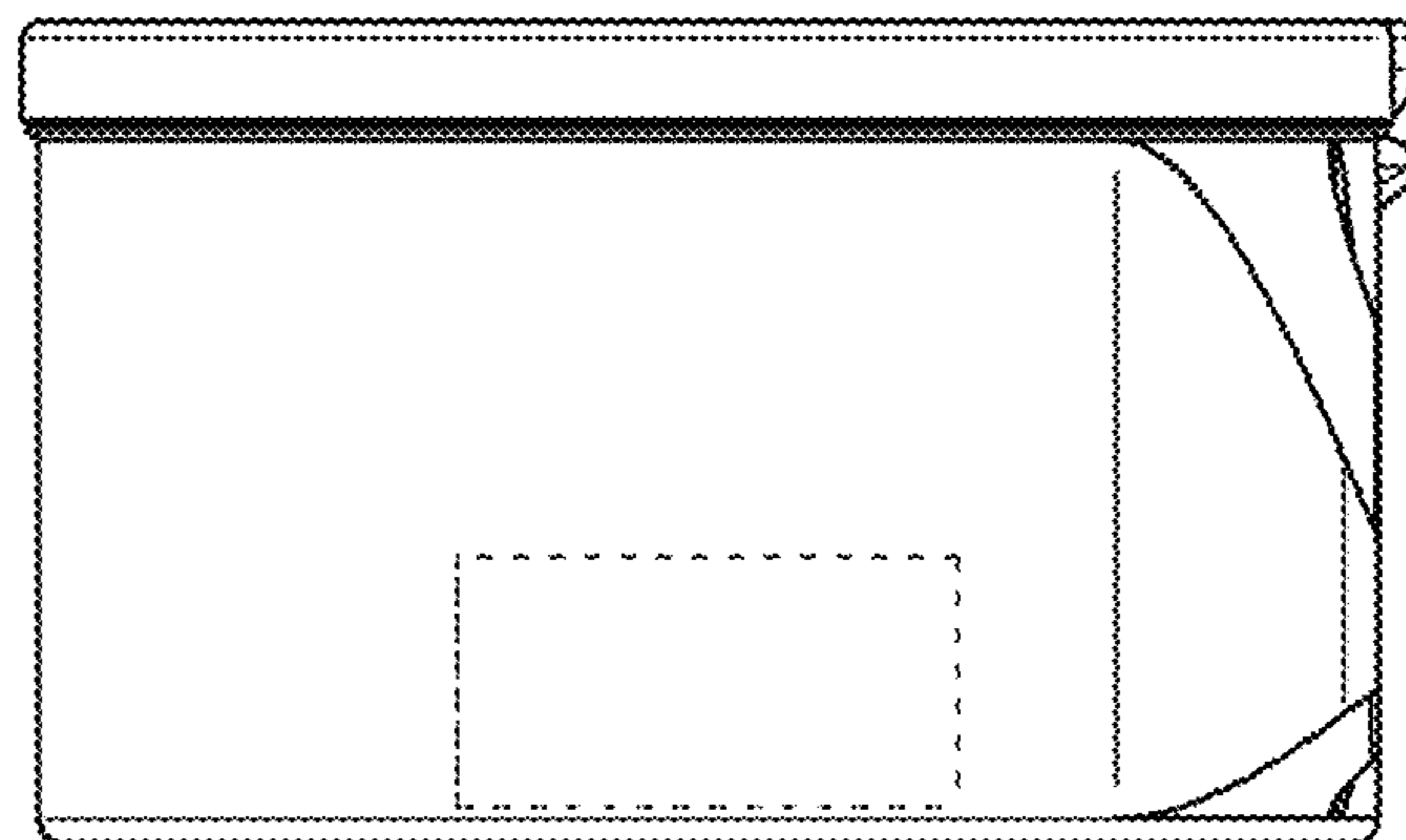
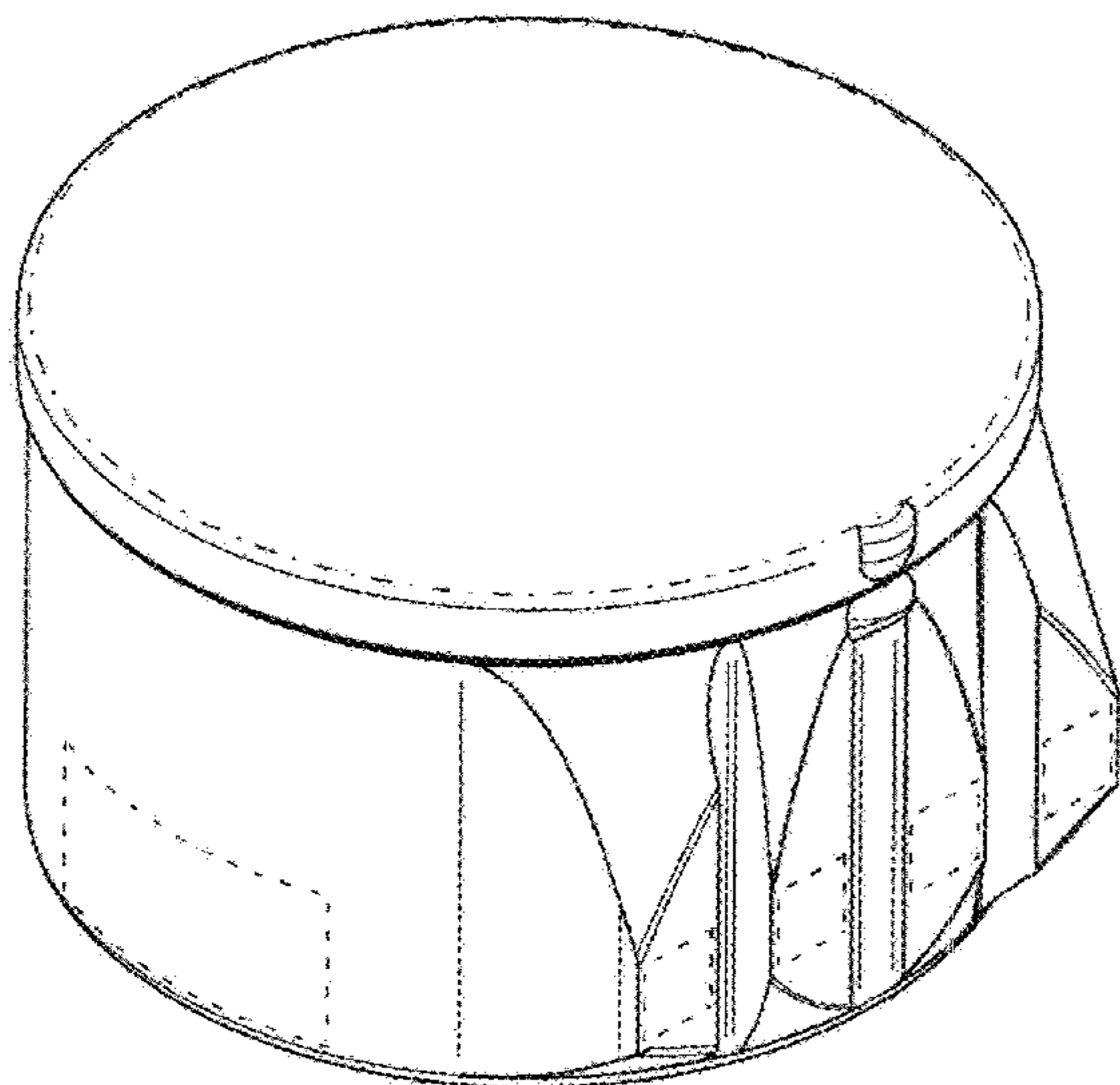
FIG. 7 is a bottom view thereof; and,

FIG. 8 is a rear upper-left perspective exploded view showing portions of the design not visible in the other views.

The broken lines show portions of the sealable housing that do not form part of the claimed design. The dash-dot lines define the bounds of the claimed design and form no part thereof.

As indicated herein, in implementations, the ornamental design as illustrated and claimed can be illustratively applied to a modular, waterproof housing for securely housing or enclosing one or more electronic, optical and/or other sensors and/or other components for measuring environmental data such as data related to temperature, light, moisture and/or other variables.

**1 Claim, 8 Drawing Sheets**



(56)

**References Cited**

U.S. PATENT DOCUMENTS

2008/0272131 A1\* 11/2008 Roberts ..... G01K 1/024  
220/592.25  
2010/0210203 A1\* 8/2010 Amerson ..... F24F 11/001  
454/258  
2013/0083824 A1\* 4/2013 Bronczyk ..... G01K 1/02  
374/163  
2014/0300486 A1\* 10/2014 Hummel ..... G01R 15/142  
340/870.01  
2017/0016773 A1\* 1/2017 Arai ..... G01K 1/02  
2017/0344243 A1\* 11/2017 Fadell ..... G01R 31/26

\* cited by examiner

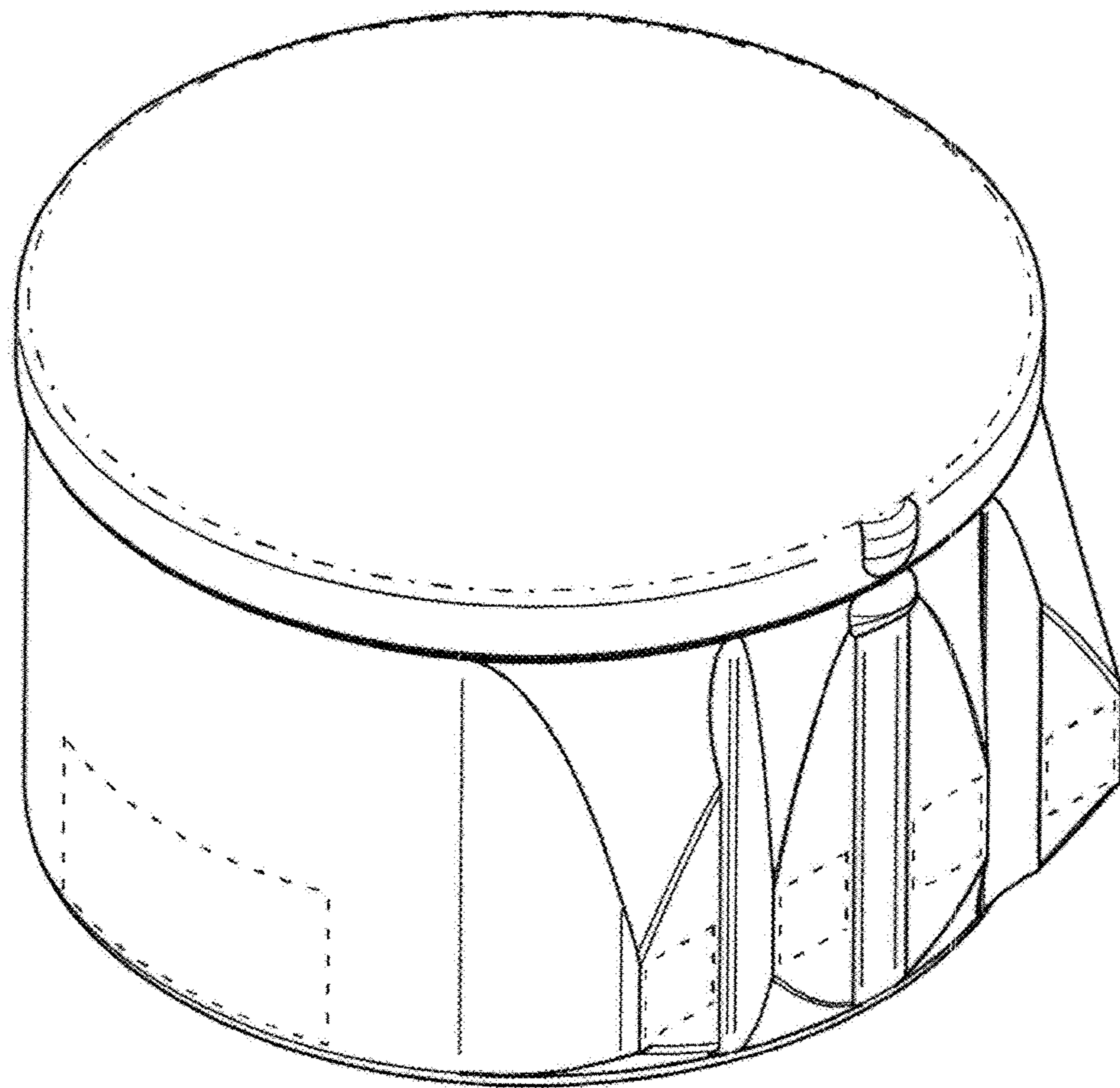


FIG. 1

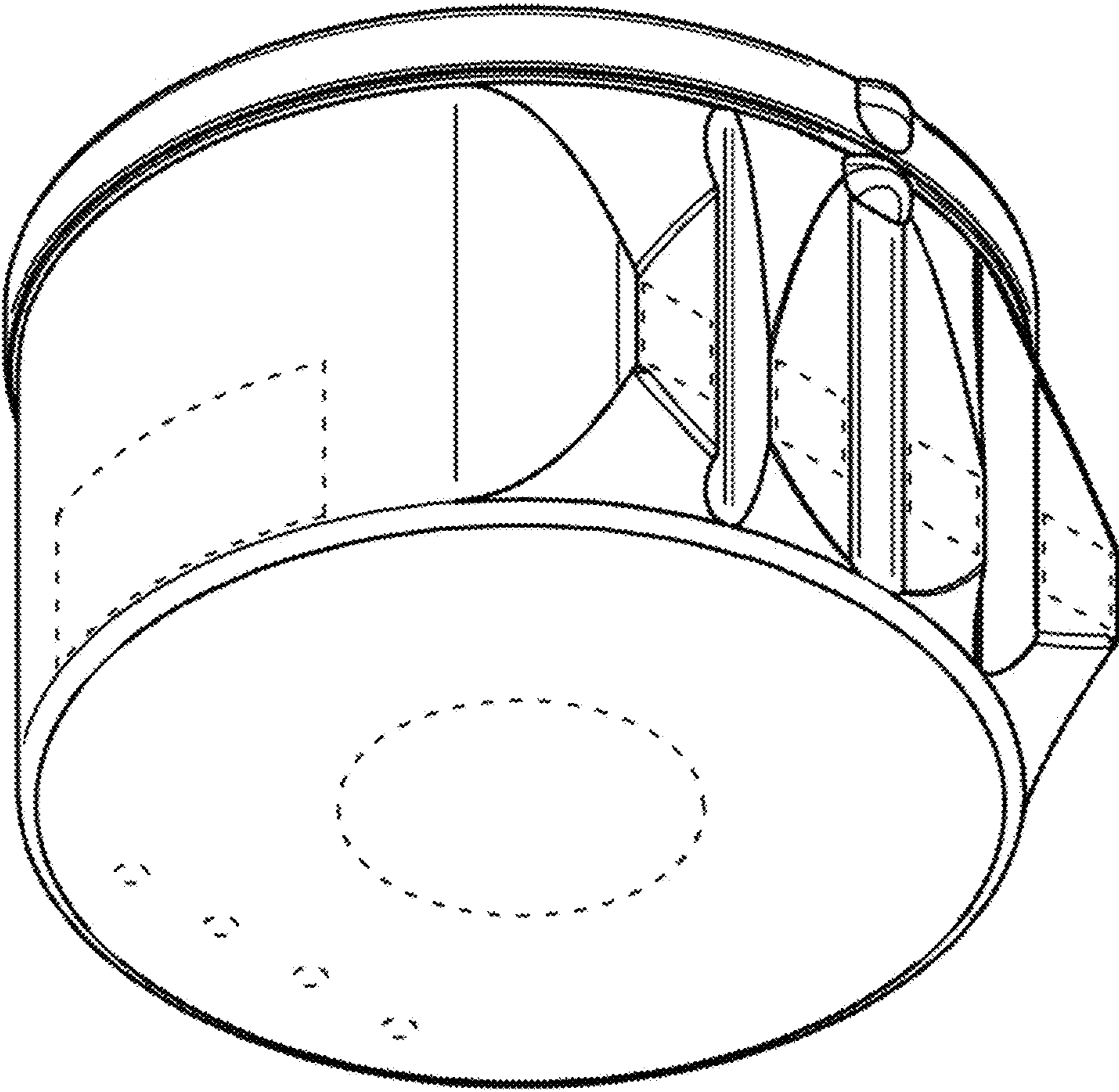


FIG. 2

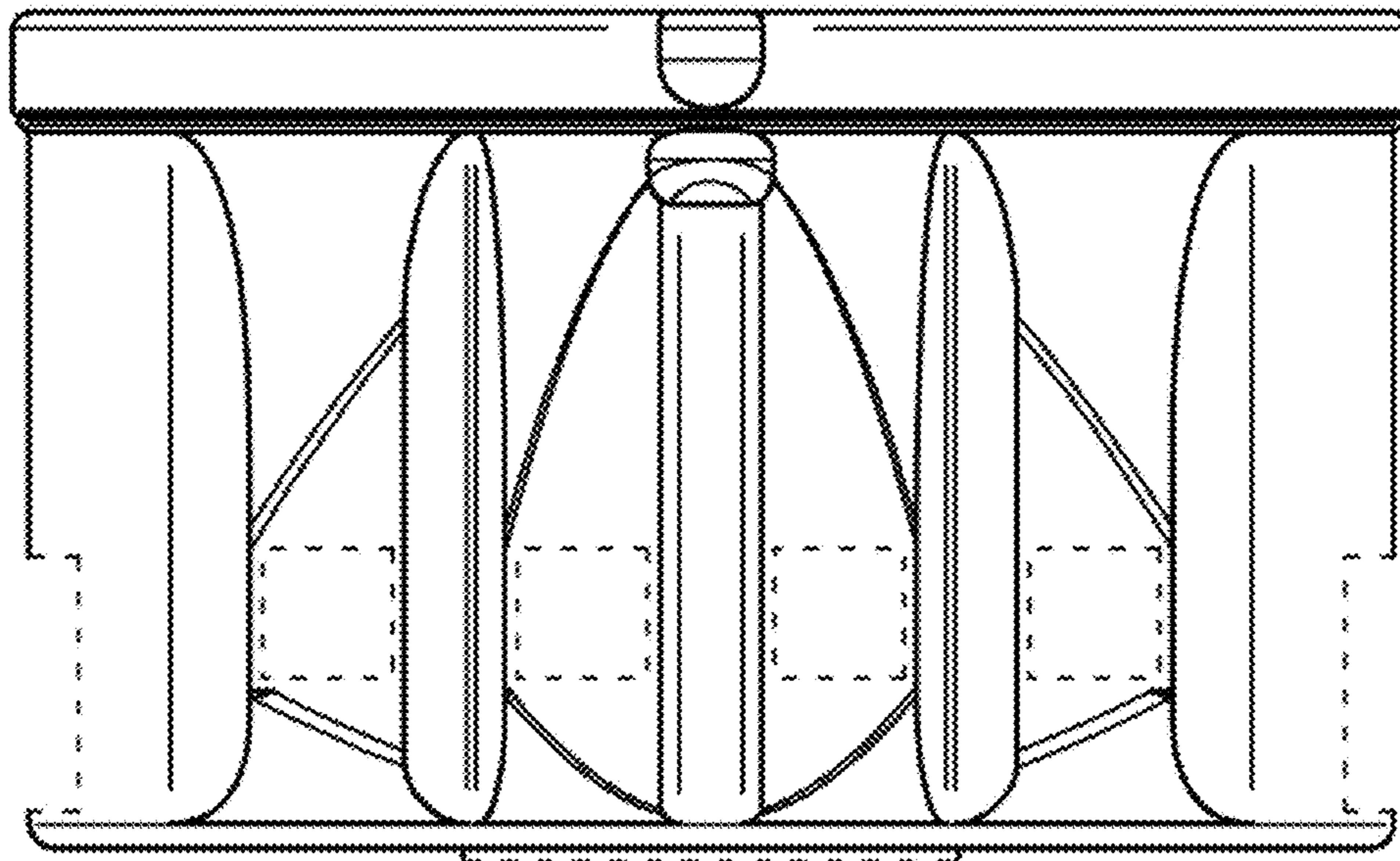


FIG. 3

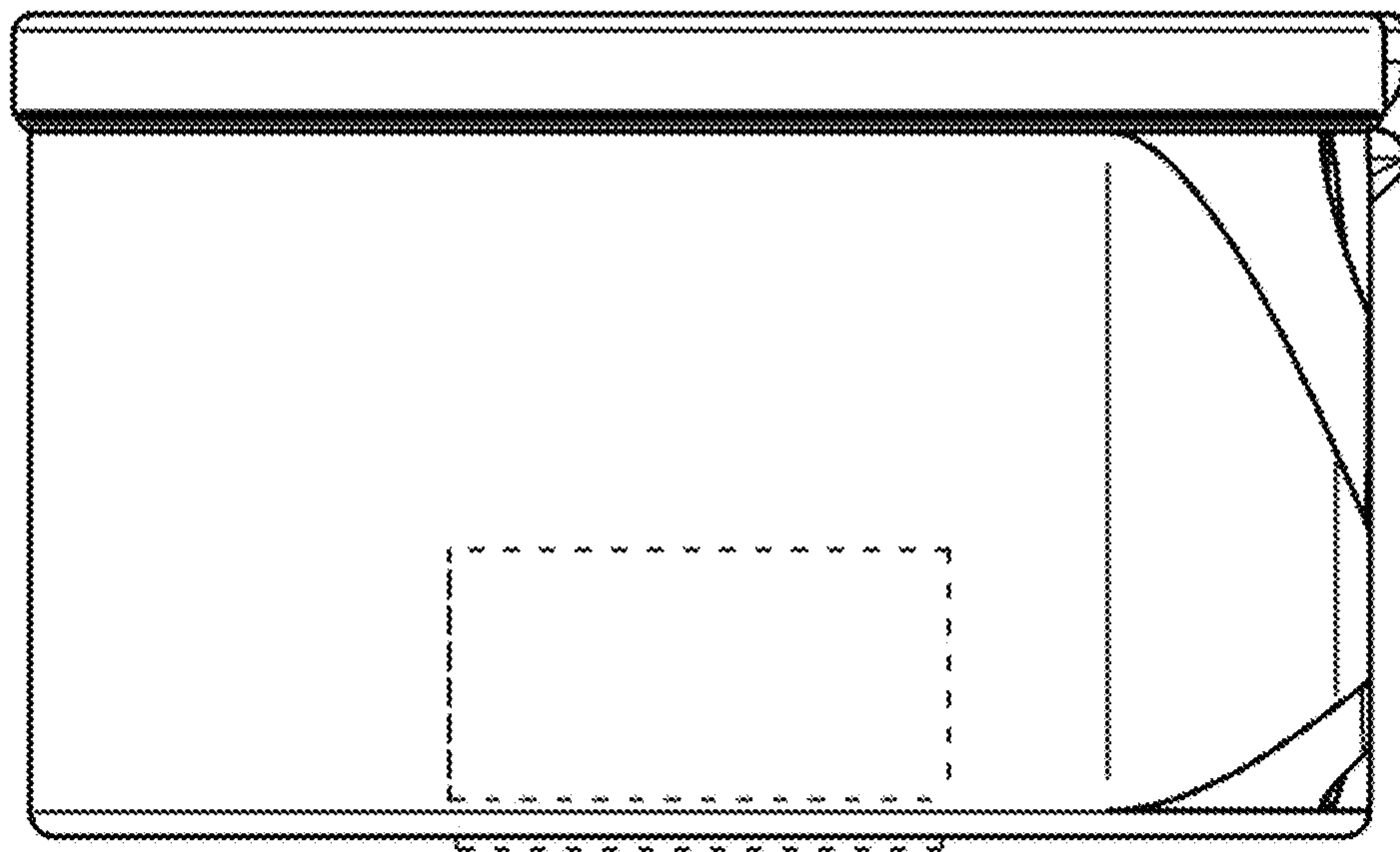


FIG. 4

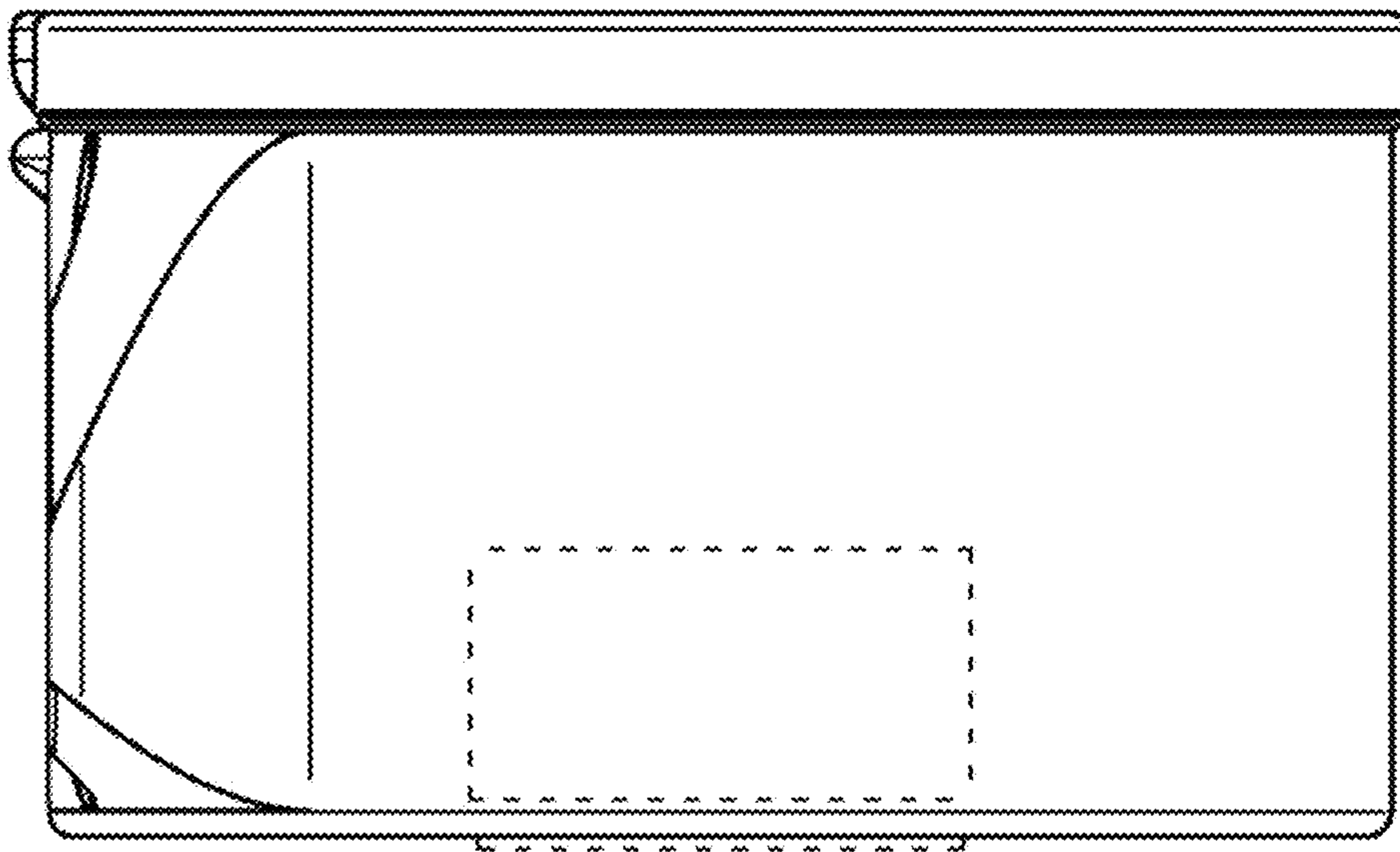


FIG. 5

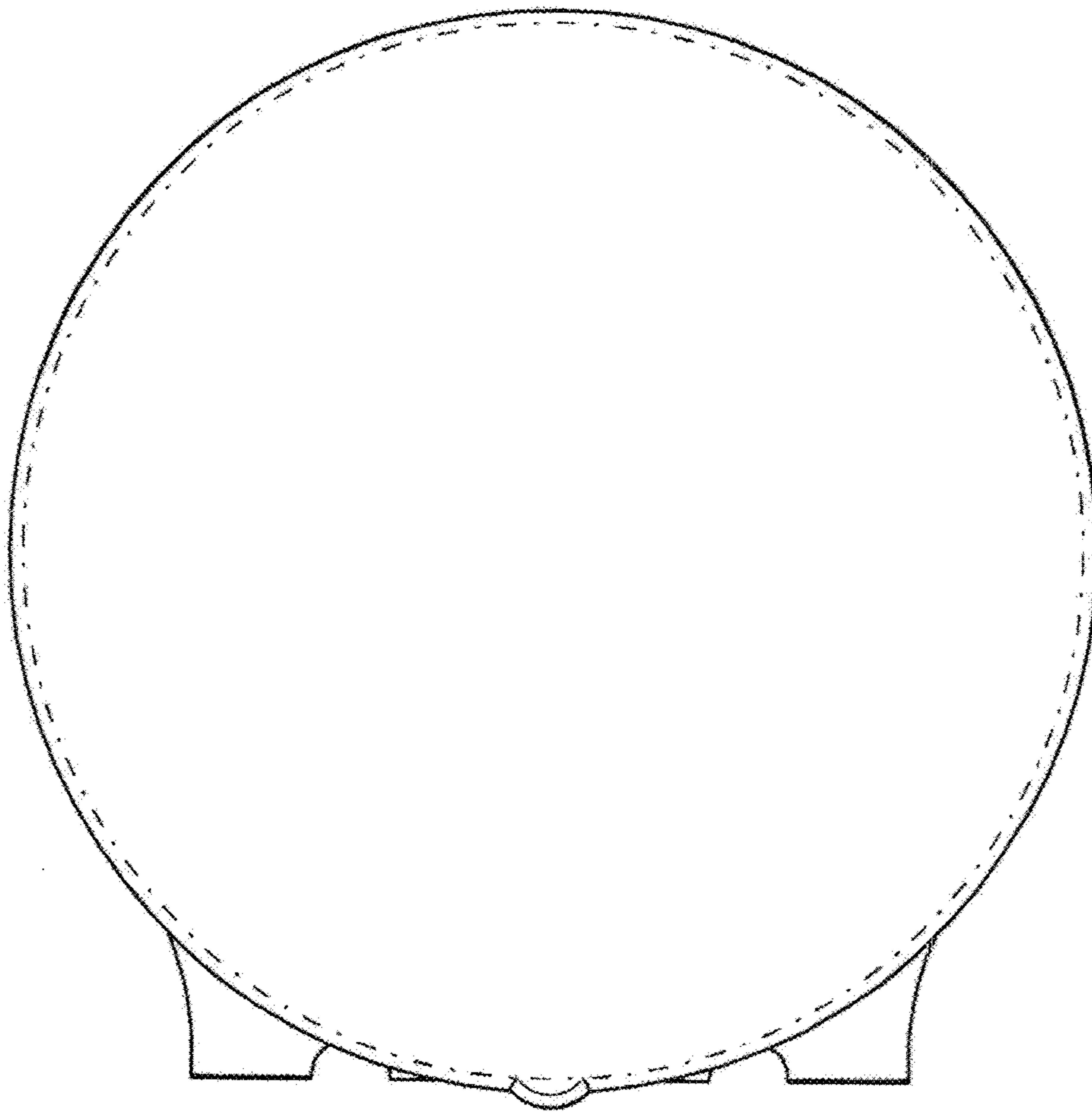


FIG. 6



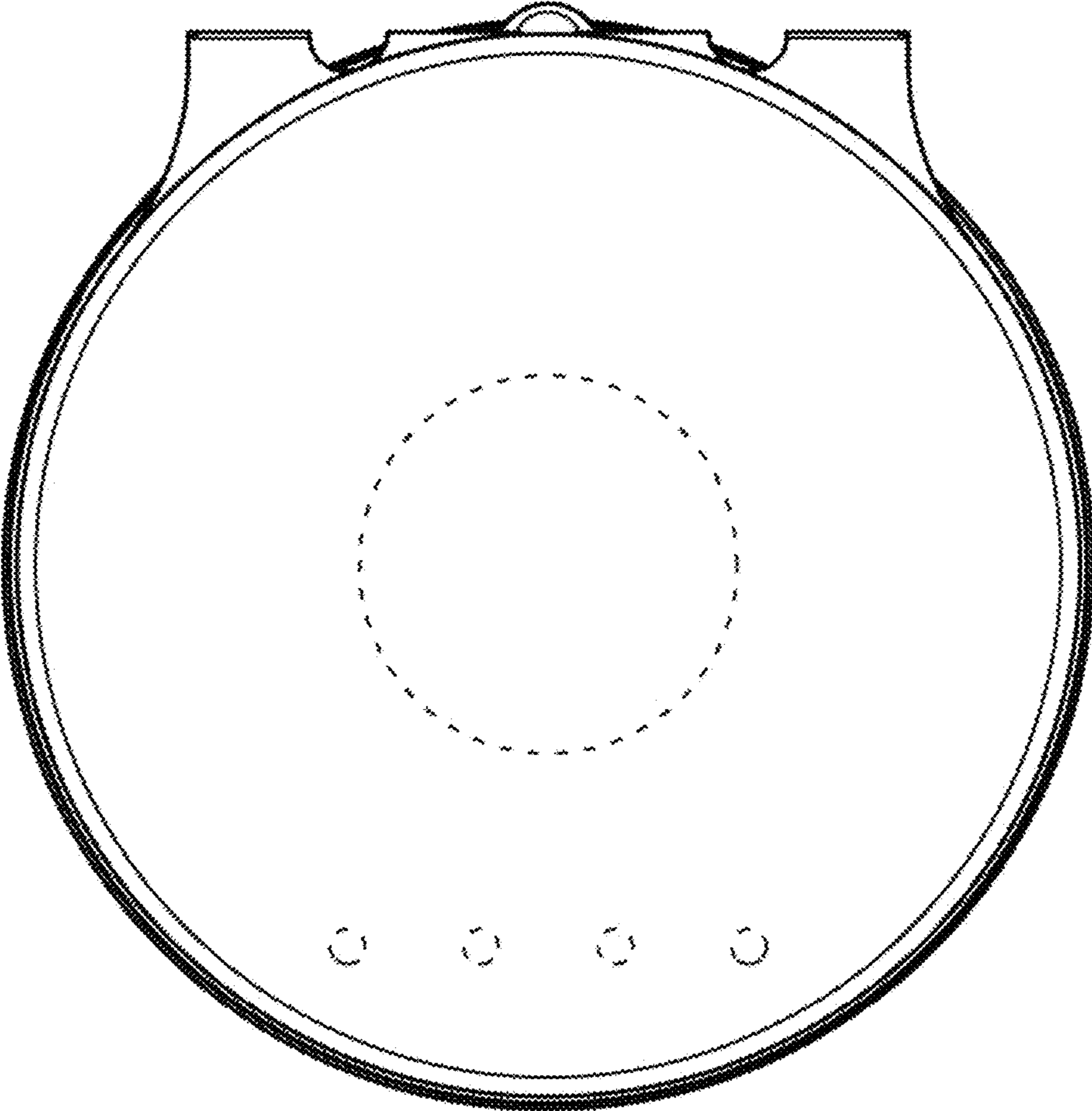


FIG. 7

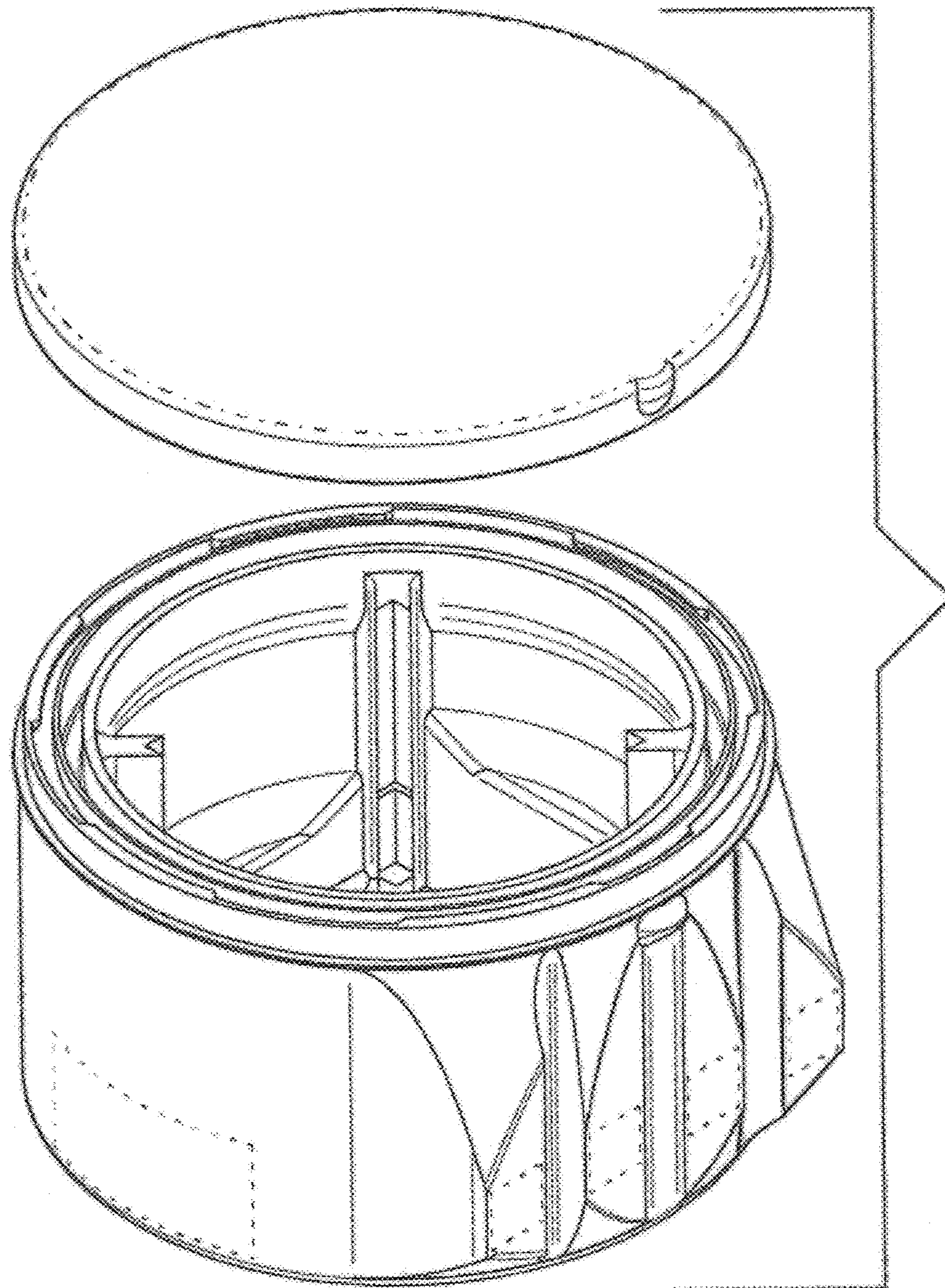


FIG. 8