



US00D826735S

(12) **United States Design Patent** (10) **Patent No.:** **US D826,735 S**
O'Neill (45) **Date of Patent:** **** Aug. 28, 2018**

(54) **PACKAGING**

(71) Applicant: **SUGARFINA, INC.**, Inglewood, CA (US)
(72) Inventor: **Rosie Colleen O'Neill**, Inglewood, CA (US)
(73) Assignee: **SUGARFINA, INC.**, El Segundo, CA (US)

(**) Term: **15 Years**

(21) Appl. No.: **29/608,655**

(22) Filed: **Jun. 23, 2017**

Related U.S. Application Data

(63) Continuation of application No. 29/557,383, filed on Mar. 8, 2016, which is a continuation of application No. 29/499,564, filed on Aug. 15, 2014, now Pat. No. Des. 755,641.

(51) **LOC (11) Cl.** **09-03**

(52) **U.S. Cl.**
USPC **D9/737; D9/432**

(58) **Field of Classification Search**

USPC D9/414, 418, 715, 721, 737, 756, 759, D9/432; D3/201, 273, 274, 302; D7/629
CPC .. B65D 5/4204; B65D 5/5021; B65D 5/4208; B65D 85/1045; B65D 5/5035; B65D 5/5213; B65D 5/22; B65D 5/38; B65D 2519/00273; B65D 5/42; B65D 5/5038; B65D 2519/00323; B65D 5/5028; B65D 5/5253; B65D 25/04; B65D 5/5016; B65D 5/68; B65D 85/00; B65D 2543/00194; B65D 2543/00296; B65D 2519/00711; B65D 2519/00034; B65D 2519/00069; B65D 81/368; B65D 21/0233; Y10S 206/804; Y10S 206/82

See application file for complete search history.

(56) **References Cited**

U.S. PATENT DOCUMENTS

228,158 A 5/1880 Woods
D36,435 S 7/1903 Daggett
D42,846 S 8/1912 Farrell
1,162,840 A 12/1915 Wood
1,588,857 A 6/1926 Sherman
D71,513 S 11/1926 Austin
1,620,789 A 3/1927 Urban, Jr.
1,697,880 A 1/1929 Peter

(Continued)

OTHER PUBLICATIONS

Chocomize, Candy Cube Boxes, www.chocomize.com/candy-cube-box-9pc.html (Jun. 29, 2017).

(Continued)

Primary Examiner — Lauren R Calve

(74) *Attorney, Agent, or Firm* — Troutman Sanders LLP; Alexis N. Simpson; Chris N. Davis

(57) **CLAIM**

The ornamental design for a packaging, as shown and described.

DESCRIPTION

FIG. 1 is an exploded perspective view of a packaging showing my new design;

FIG. 2 is a perspective view thereof, shown without the insert and packaging tray for clarity of illustration;

FIG. 3 is a front view thereof;

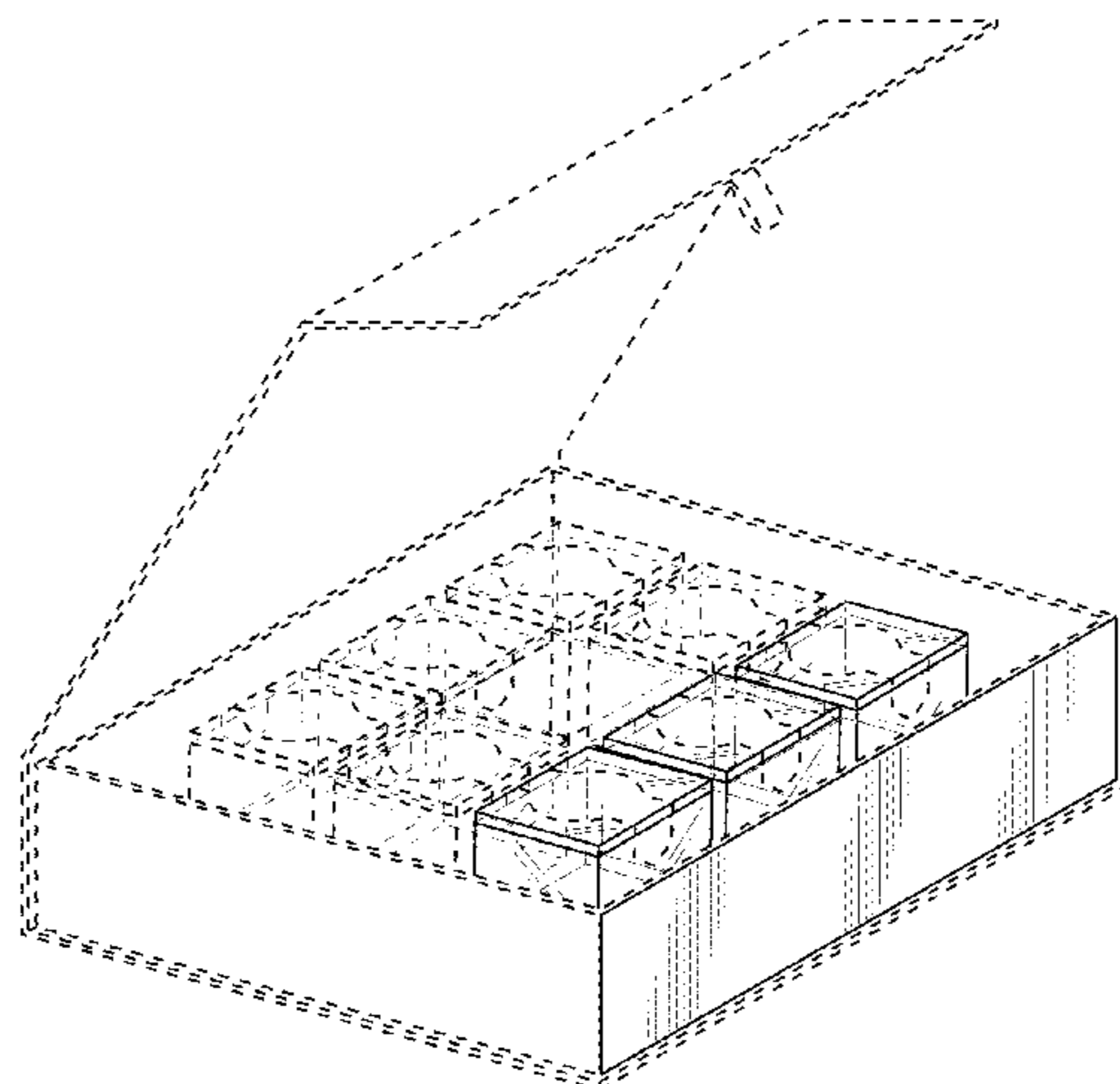
FIG. 4 is a rear view thereof;

FIG. 5 is a top view thereof; and,

FIG. 6 is a side view thereof.

The broken lines shown represent unclaimed subject matter and form no part of the claimed design. The shade lines shown represent surface shading and not surface ornamentation.

1 Claim, 4 Drawing Sheets



(56)

References Cited

U.S. PATENT DOCUMENTS

1,762,923 A *	6/1930	Fegely	B65D 5/5213 206/761	D521,733 S	5/2006	Kim	
D86,128 S	2/1932	Levkoff		D522,376 S	6/2006	Hales	
1,871,617 A	8/1932	King		D528,794 S	9/2006	Lanham et al.	
1,892,092 A	12/1932	Barad		D536,246 S	2/2007	Schneider	
1,899,547 A	2/1933	Addis et al.		7,264,123 B2	9/2007	Reed	
1,994,159 A	3/1935	Wurzburg		D553,495 S	10/2007	Vandecasteele et al.	
D95,429 S *	4/1935	James et al.	D9/760	D568,765 S	5/2008	Miles	
2,522,049 A	9/1950	Lang		D580,263 S	11/2008	Yi Man	
2,541,173 A	2/1951	Moore		D584,053 S	1/2009	Abdo et al.	
2,597,377 A	5/1952	Robinson		D596,485 S	7/2009	Andre et al.	
2,604,980 A	7/1952	Reid		D603,720 S	11/2009	Cesare et al.	
2,751,135 A	6/1956	Kessler		D609,116 S	2/2010	Kim	
2,782,951 A	2/1957	Inman		7,757,843 B2	7/2010	Katsis	
2,790,589 A	4/1957	Moore		D621,548 S	8/2010	Chen	
3,004,661 A	10/1961	Schumann		D643,306 S	8/2011	Martinez et al.	
3,126,093 A	3/1964	Bradley et al.		8,006,842 B1	8/2011	Loughlin, Jr. et al.	
3,357,543 A	12/1967	Taggart		D646,984 S	10/2011	Moore et al.	
3,423,006 A	1/1969	Stedman		8,109,389 B1	2/2012	Amer	
3,494,534 A	2/1970	McFarland et al.		D657,284 S *	4/2012	Young	D11/121
3,600,871 A	8/1971	Farquhar		D663,520 S	7/2012	Antler	
3,660,934 A	5/1972	Pollack et al.		D664,312 S	7/2012	Bizzle	
D242,771 S	12/1976	Papillon		8,272,509 B1	9/2012	McCutchen	
D244,085 S	4/1977	Giddings et al.		D669,352 S	10/2012	Paslowski	
4,139,096 A	2/1979	Sieger		D670,931 S	11/2012	Tapper	
D258,938 S	4/1981	Spitzer		D670,932 S	11/2012	Tapper	
4,293,079 A	10/1981	Lytle		D673,864 S	1/2013	Read et al.	
D292,876 S	11/1987	Grunhut		D675,539 S	2/2013	Bigliarians	
D292,877 S	11/1987	Grunhut		D682,119 S	5/2013	Buford	
4,713,928 A	12/1987	Tisma		D685,578 S *	7/2013	Pestell	D3/294
4,757,898 A	7/1988	Klein		D686,065 S	7/2013	Kuo et al.	
D307,504 S	4/1990	Silcox		D686,491 S	7/2013	Kuo et al.	
D315,297 S *	3/1991	Campbell	D9/721	D687,321 S	8/2013	Pralus	
D317,717 S	6/1991	Carol		D690,554 S	10/2013	Presley	
D317,718 S	6/1991	Carol		D691,465 S	10/2013	O'Brien et al.	
5,038,940 A *	8/1991	Okabe	B65D 5/327 229/120.011	D691,900 S	10/2013	Kraus	
5,096,056 A *	3/1992	Garcia	A45C 13/02 206/455	D698,639 S	2/2014	Fletcher et al.	
D327,004 S	6/1992	Nadel		D698,664 S	2/2014	Abbott	
D329,601 S *	9/1992	Samelson	D9/721	D700,462 S	3/2014	Boos	
D333,615 S	3/1993	Zutler		D704,550 S	5/2014	Mattila et al.	
D335,819 S	5/1993	Campbell		D706,627 S	6/2014	Olsson et al.	
D344,020 S	2/1994	Pavely		D709,305 S	7/2014	Tapper	
5,375,706 A	12/1994	Perez		D709,306 S	7/2014	Tapper	
D361,508 S	8/1995	Schnack		D709,364 S	7/2014	Olsson et al.	
D361,661 S	8/1995	Masuda		D712,176 S	9/2014	Tamilarasan	
D373,723 S	9/1996	Healey		D712,748 S *	9/2014	Akana	D9/721
5,555,982 A	9/1996	Kuhn et al.		D713,739 S	9/2014	Akana et al.	
5,590,786 A	1/1997	Jaycox		D717,165 S	11/2014	Kwak et al.	
5,603,558 A *	2/1997	Zimmer	A47B 81/00 206/566	D722,870 S	2/2015	Fohner et al.	
D380,417 S	7/1997	Hardy		D728,358 S	5/2015	Belamich	
D380,926 S	7/1997	Goodburn et al.		D729,636 S	5/2015	Steinberger	
5,682,999 A	11/1997	Larson		D730,749 S	6/2015	Young et al.	
5,738,221 A	4/1998	Van Witt et al.		D731,323 S	6/2015	O'Neill	
5,791,468 A	8/1998	House		D731,325 S	6/2015	Loessin	
5,817,510 A	10/1998	Pandey et al.		D733,314 S	6/2015	Lui	
D411,308 S	6/1999	Pandey et al.		D733,315 S	6/2015	Lui	
D424,296 S	5/2000	David		D733,317 S	6/2015	Lui	
D424,425 S	5/2000	Ngai		D733,318 S	6/2015	Lui	
D426,902 S	6/2000	Hardy et al.		9,061,790 B2	6/2015	Yagishita	
D433,630 S	11/2000	Lubineau-Bigot et al.		D734,075 S	7/2015	Tapper	
6,349,820 B1	2/2002	Kelley et al.		D738,721 S	9/2015	Song et al.	
D455,073 S	4/2002	Mizrahi		D741,193 S	10/2015	Lohuis et al.	
D464,568 S	10/2002	Sisinni		D748,280 S	1/2016	Lui	
D464,885 S	10/2002	Weinstein et al.		D754,408 S	4/2016	Garrett et al.	
D468,100 S	1/2003	Bowling		D755,641 S *	5/2016	O'Neill	B65D 77/0413 D9/721
6,533,166 B1	3/2003	Kaiss		D756,560 S	5/2016	Ghiotti et al.	
D477,911 S	8/2003	Stuart		D756,804 S	5/2016	Gross	
D492,194 S *	6/2004	Kim	D9/757	D758,191 S	6/2016	Tu et al.	
D494,862 S	8/2004	Sisinni		D763,104 S	8/2016	Akana et al.	
6,923,556 B1	8/2005	Baker, III		D763,683 S	8/2016	O'Neill	
D510,528 S	10/2005	Funk		D763,684 S	8/2016	O'Neill	
D511,681 S	11/2005	Cogley et al.		D764,911 S	8/2016	Glass et al.	
				D768,008 S	10/2016	Akana et al.	
				D769,727 S	10/2016	Lohuis	
				D769,986 S	10/2016	Timg	
				D772,057 S	11/2016	Adams et al.	
				D774,388 S	12/2016	Xia	
				9,533,791 B2	1/2017	Fath	
				D780,569 S	3/2017	Bard et al.	

(56)

References Cited

U.S. PATENT DOCUMENTS

D780,570	S	3/2017	Bard et al.	
D787,186	S	5/2017	Thurbin	
D787,320	S	5/2017	Gill et al.	
2002/0108880	A1	8/2002	Krupa et al.	
2006/0266672	A1	11/2006	Young	
2006/0283733	A1	12/2006	Masa	
2007/0095693	A1	5/2007	DeLuca	
2008/0190788	A1	8/2008	Cziraky	
2009/0242455	A1*	10/2009	Adams	B65D 5/4204 206/575
2010/0012672	A1	1/2010	Piron	
2010/0187227	A1	7/2010	Wang	
2011/0174166	A1	7/2011	Sparacio et al.	
2012/0168434	A1	7/2012	Alagarda Cervera et al.	
2012/0168443	A1	7/2012	Maness	
2013/0161378	A1	6/2013	Nebeker et al.	
2013/0220880	A1	8/2013	Glass et al.	
2013/0240387	A1*	9/2013	Pugh	B65D 85/00 206/216
2013/0248531	A1	9/2013	Lane	
2014/0021086	A1	1/2014	Roesler	
2014/0166736	A1	6/2014	Kato	
2014/0312107	A1	10/2014	Nash	
2015/0093509	A1	4/2015	Kennedy et al.	
2015/0232245	A1	8/2015	Fullan	
2015/0321811	A1	11/2015	Yeung	
2016/0009473	A1	1/2016	Korinek et al.	
2016/0046404	A1	2/2016	Cheeser et al.	
2017/0050797	A1	2/2017	Farid et al.	
2017/0076343	A1	3/2017	Bernstein et al.	
2017/0138660	A1	5/2017	Huckaby et al.	
2017/0152092	A1	6/2017	Glass et al.	

OTHER PUBLICATIONS

MidNite Snax, Signature Sets, http://midnitesnax.com/home_page_files/view/1265/file.pdf (Jun. 29, 2017).

Sweet Pete's, Build-Candy-Cube-Box, <https://www.sweetpetescandy.com/collections/build-a-candy-cube-box> (Jun. 29, 2017).

Sweet Pete's, Pete's Picks Collection, www.sweetpetescandy.com:80/collections/boxes (Mar. 23, 2016).

Sweitzer Candy Shop, Gifts, <https://sweitzercandy.com/index.php/gift-boxes.html> (Jun. 29, 2017).

Sugarfina, Design Your Own Bento, www.sugarfina.com/shop/gift-type/design-your-own-bento (Jun. 29, 2017).

Sugarfina, Custom Catalogue, <https://issuu.com/sugarfina/docs/2017-corporatecatalog-ppai-webversi> (Jun. 29, 2017).

Teaspressa, Tea + Cube, available at <https://teaspressa.com/collections/gifts/products/tea-cube> (Jun. 29, 2017).

Sweitzer Candy Gift Box 8, available Feb. 21, 2015, [online], [site visited Aug. 2, 2017]. Available from internet, <URL: <https://web.archive.org/web/20150221225755/https://sweitzercandy.com/index.php/gift-boxes.html>, 2 pages.

Sweitzer Candy Gift Box 4, available Feb. 21, 2015, [online], [site visited Aug. 2, 2017]. Available from internet, <URL: <https://web.archive.org/web/20150221225755/https://sweitzercandy.com/index.php/gift-boxes.html>, 2 pages.

"A Taste of Paradise," Collection by Sugarfina, available Aug. 2, 2017, [online], [site visited Aug. 2, 2017]. Available from internet, <URL: <https://www.sugarfina.com>, 1 page.

Cubetas, [online], [site visited Aug. 16, 2017]. Available from internet, <URL: <http://cubetas.jp/>>, 19 pages.

Sugarfina Partners With Sanrio to Create the Cutest Hello Kitty Candy on the Planet. [online] Published Sep. 17, 2017. Retrieved Nov. 20, 2017 from URL: <https://www.popsugar.com/food/gallery/44018877/image/44018885/Sugarfinas-Pop-Up-Candy-Bento-Box-30>.

Rigid Set-up Box, Wine and Champagne Chocolate Leather Gift Box, Faux Leather, Dark Brown, Qty/CASE-6. [online] Retrieved Nov. 22, 2017 from URL: <https://www.aspecialtybox.com/RG00F-00493-C>.

House Drawer Gift Box/CMXSSGB-10. [online] Retrieved Nov. 22, 2017 from URL: <http://www.charmpackaging.com/special-shape-gift-box/house-drawer-gift-box-cmxssgb-010.html>.

Sugarfina—A Unique Candy Boutique at The Americana; <http://www.realmomofsfv.com/2014/06/18/sugarfina-a-unique-candy-boutique-at-the-americana/>; Jun. 18, 2014; 28 pages.

Sugarfina—Thrillist LA; <https://www.thrillist.com/eat/los-angeles/we-fed-a-kid-absinthe-candy-here-s-what-happened-thrillist-la>; Dec. 16, 2013; 35 pages.

A Sweet Evening at Sugarfina—SavvySleepers; <https://www.savvysleepers.com/blogs/the-benefits-of-satin/44181636-a-sweet-evening-at-sugarfina>; Aug. 31, 2015; 7 pages.

Sugarfina: The Chocolates—Candy Blog; http://www.candyblog.net/blog/item/sugarfina_the_chocolates; Jul. 16, 2013; 11 pages.

Sugarfina Beverly Hills & Trio of Goodies—Candy Blog; http://www.candyblog.net/blog/item/sugarfina_trio_of_goodies; Dec. 16, 2013; 11 pages.

Sugarfina: The Gummies—Candy Blog; http://www.candyblog.net/blog/item/sugarfina_the_gummies; Jul. 10, 2013; 11 pages.

NYC Guide: Sugarfina—York Avenue; <https://yorkavenueblog.com/nyc-guide-sugarfina/>; Oct. 26, 2015; 74 pages.

Talking Shop: Sugarfina—Sugar Paper; <https://sugarpaper.com/blogs/news/87503553-talking-shop-sugarfina>; Feb. 11, 2016; 13 pages.

A Candy Emporium for Adults; <https://www.entrepreneur.com/article/236286>; Aug. 25, 2014; 10 pages.

10 fanciest candies from Sugarfina's New York shop—NY; <http://www.nydailynews.com/life-style/eats/10-fanciest-candies-sugarfina-new-york-shop-article-1.2407237>; Oct. 22, 2015; 9 pages.

People Freaked Out So Hard Trying to Get Rosé Gummy Bears that They Crashed the Website; <https://www.forbes.com/sites/meghancasserly/2013/04/09/sugarfina-facebook-candy-shop-outerspace/#78cb39dd6e74>; Jun. 29, 2016; 14 pages.

Sugarfina: One Candy-Coated Startup's Plans for a Lucrative Exit—But First a Trip to Space; <https://www.forbes.com/sites/meghancasserly/2013/04/09/sugarfina-facebook-candy-shop-outerspace/#78cb39dd6e74>; Apr. 9, 2013; 6 pages.

Luxurious One-of-a-Kind Candy Shop Tour With Sugarfina—Best Friends for Frosting; <https://bestfriendsforfrosting.com/2015/11/luxurious-one-kind-candy-sugarfina/>; Nov. 17, 2015; 16 pages.

Sugarfina Launches—Atlanta's Lenox Square Just Got Sweeter!; <http://www.momsmagicalmiles.com/sugarfinalaunches-atlantas-lenox/>; Nov. 6, 2015; 15 pages.

Whispering Angel Rosé-Infused Gummy Bears are Summer's Hottest Sweet—The Glamorous Gourmet; <https://theglamorousgourmet.com/whispering-angel-rose-gummy-bears-summer-hottest-sweet/>; Jul. 31, 2016; 13 pages.

Sugar Fix: Sugarfina Pasadena; <https://studiodiy.com/2015/07/21/sugar-fix-sugarfina-pasadena/>; Jul. 21, 2015; 15 pages.

Rosie O'Neill of Sugarfina—The Everygirl; <http://theeverygirl.com/rosie-oneill-of-sugarfina/>; May 18, 2014; 27 pages.

Bouquet Bar 3 Piece Box Photo—Instagram—<https://www.instagram.com/p/BPs-h6rBWic/?taken-by=thebouquetbar>; Jan. 25, 2017, 1 page.

Bouquet Bar 6 Piece Box Photo—"It's Time to Ditch the Red Roses: Six Better Ways to Give Your Valentine Flowers," People Home & Travel; Jan. 31, 2017, 10 pages.

Bouquet Bar 6 Piece Photo—Instagram—<https://www.instagram.com/p/Bp-9I12hV9Q/?taken-by=thebouquetbar>; Feb. 1, 2017, 1 page.

Chocomize 2 Piece Box—<https://www.chocomize.com/candy-cubes-2pack.html>; Oct. 16, 2017, 4 pages.

Chocomize 3 Piece Box Photo—Facebook—<https://www.facebook.com/Chocomize/photos/a.423529781180.220124.176532311180/10154561729211181/?type=3&theater>; Nov. 11, 2016, 1 page.

Chocomize 6 Piece Box—<https://www.chocomize.com/candy-cube-6pcs-box.html>; Oct. 16, 2017, 3 pages.

(56)

References Cited

OTHER PUBLICATIONS

- Chocomize 9 Piece Box Photo—Instagram—<https://www.instagram.com/p/B15r4s6BLH7/?taken-by=chocomize>; Aug. 9, 2016, 1 page.
- Chocomize 9 Piece Box Photo—Instagram—<https://www.instagram.com/p/BMpjEEUhpqV/?taken-by=chocomize>; Nov. 10, 2016, 1 page.
- Chocomize 9 Piece Box Photo—Instagram—<https://www.instagram.com/p/BMrpOYdhQeU/?taken-by=chocomize>; Nov. 11, 2016, 1 page.
- Cubetas 2 Piece and 3 Piece Box Photo—Instagram—<https://www.instagram.com/p/BMyWwq0BQoH/?taken-by=cubetas.2016>; Nov. 14, 2016, 1 page.
- Cubetas 2 Piece and 3 Piece Box Photo—Instagram—<https://www.instagram.com/p/BNtkhJpBzYm/?taken-by=cubetas.2016>; Dec. 7, 2016, 1 page.
- Cubetas 2 Piece Box Photo—Instagram—<https://www.instagram.com/p/BMQ9Bjihqyz/?taken-by=cubetas.2016>; Nov. 1, 2016, 1 page.
- Cubetas 3 Piece Box Photo—Instagram—<https://www.instagram.com/p/BPrxqTThloh/?taken-by=cubetas.2016>; Jan. 25, 2017, 1 page.
- Foxes Events 6 Piece Box Photo—Instagram—<https://www.instagram.com/p/BQVMWj7jZke/?taken-by=foxesevents&hl=en>; Feb. 10, 2017, 1 page.
- Idea Stage 2 Piece Box—<https://www.ideastage.com/Cube-Shaped-Candy-Set-965458328>; Oct. 13, 2017, 2 pages.
- Sugarwish 2 Piece and 4 Piece Boxes—<https://web.archive.org/web/20151201071311/https://sugarwish.com/choose-a-sugarwish>; Dec. 1, 2015, 1 page.
- Sweet Lounge 2 Piece Box—<https://www.sweetlounge.co.uk/lounge-box-hello-spring-collection-for-vegans/>; Oct. 16, 2017, 6 pages.
- Sweet Lounge 3 Piece and 4 Piece Box Photo—Instagram—https://www.instagram.com/p/BM_eHn6g81y/?taken-by=sweetloungeuk; Nov. 19, 2016, 1 page.
- Sweet Lounge 3 Piece and 4 Piece Box Photo—Instagram—https://www.instagram.com/p/BMY_iidAMwX/?taken-by=sweetloungeuk; Nov. 4, 2016, 1 page.
- Sweet Lounge 4 Piece Box—Instagram—<https://www.instagram.com/p/BNMnfaJgwOo/?taken-by=sweetloungeuk>; Nov. 24, 2016, 1 page.
- Sweet Lounge 4 Piece Box—<https://www.sweetlounge.co.uk/lounge-box-hello-spring-collection/>; Oct. 16, 2017, 7 pages.
- Sweet Lounge 4 Piece Box Video Snapshots—Facebook—<https://www.facebook.com/sweetloungeuk/videos/vb.670728213008752/1188285557919679/?type=2&theater>; Nov. 16, 2016, 6 pages.
- Sweet Pete's 8 Piece Box—www.sweetpetescandy.com/collections/create-a-box; Nov. 18, 2016, 2 pages.
- Sweitzer Candy 3 Piece Box Photo—Instagram—<https://www.instagram.com/p/440Xveluq0/?taken-by=sweitzercandy>; Jul. 8, 2015, 1 page.
- Sweitzer Candy 4 Piece Box Photo—Instagram—<https://www.instagram.com/p/440Xveluq0/?taken-by=sweitzercandy>; Apr. 16, 2015, 1 page.
- Sweitzer Candy 8 Piece Box Photo—Instagram—<https://www.instagram.com/p/wLDm8Olujs/?taken-by=sweitzercandy>; Dec. 4, 2014, 1 page.
- Webb Company 2 Piece Box Photo—Facebook—<https://www.facebook.com/webbcollection/photos/a.376918812240.156708.376836382240/10154628557212241/?type=3&theater>; Oct. 18, 2016, 1 page.
- Webb Company 4 Piece Box—<https://www.facebook.com/webbcollection/photos/a.376918812240.156708.376836382240/10154602255037241/?type=3&theater>; Oct. 11, 2016, 1 page.
- Weeny Beeny 3 Piece Box Photo—Facebook—<https://www.facebook.com/weenybeenyl23/>; Jan. 31, 2017, 1 page.
- Weeny Beeny 4 Piece Box Photo—Facebook—<https://www.facebook.com/weenybeenyl23/>; Jan. 31, 2017, 1 page.
- Bonbonist Box Photo—Facebook—<https://www.facebook.com/thebonbonist/photos/a.1493876617357861.1073741829.1290401221038736/1493876580691198/?type=3&theater>; Oct. 1, 2017, 1 page.
- Bonbonist—<https://thebonbonist.com/>; Oct. 18, 2017, 4 pages.
- Sugarfina Representative Twitter posts; <https://twitter.com/sugarfina>; 91 pages.
- Sugarfina Representative Facebook posts; <https://www.facebook.com/Sugarfina>; 25 pages.
- Sugarfina Representative Instagram posts; <https://www.instagram.com/sugarfina/?hl=en>; 40 pages.
- Sugarfina: Sampling the Sweets—York Avenue; <https://yorkavenueblog.com/sugarfina-sampling-sweets/>; Sep. 8, 2014; 7 pages.
- Sugarfina—Candy Happiness!; <http://luluandlattes.com/2013/06/27/sugarfina-candy-happiness/>; Jun. 27, 2013; 11 pages.
- Kasey's Kitchen: Kasey's Favorite Thing #20: Sugarfina; <http://kaseyskitchentv.blogspot.com/2013/12/kaseys-favorite-thing-20-sugarfina.html>; Dec. 17, 2013; 3 pages.
- Jonathan Adler Sugarfina Bento Boxes_InStyle.com; <http://www.instyle.com/lifestyle/news/sugarfina-loves-jonathan-adler-collection>; Apr. 11, 2016; 2 pages.
- Fancy candy brand selects fancier Dallas destination for Texas debut; <http://dallas.culturemap.com/news/restaurants-bars/10-29-15-sugarfina-highland-park-village-market-candy/>; Oct. 29, 2015; 4 pages.
- Emiiichan Blog_Sugarfina candy order; <https://emiiichan.blogspot.com/2014/11/sugarfina-candy-order.html>; Nov. 21, 2014, 18 pages.
- Drool Worthy Sweets in Cute Packaging Beckon at Sugarfina Candy Shop; <http://www.7x7.com/drool-worthy-sweets-in-cute-packaging-beckon-at-sugarfina-candy-shop-1787196138.html>; Jul. 15, 2015; 4 pages.
- Candy Critic:Boxes and Boxes of Gummies From Sugarfina; <http://candy-critic.blogspot.com/2013/05/boxes-and-boxes-of-gummies-from.html>; May 2, 2013; 2 pages.
- Sugarfina Part I—Foodette Reviews; <http://foodettereviews.com/?p=24>; Sep. 10, 2013; 7 pages.
- Rebecca's Delights: Sugarfina Gourmet Candy—Author Rebecca Kelsey Sampson; <http://rebeccakelsey.com/2012/11/rebeccas-delights-sugarfina-gourmet-candy>; Nov. 12, 2012; 6 pages.
- Sugar & Charm // Sugarfina—Mary Costa Photography; <http://marycostaphotography.com/sugar-charm-sugarfina/>; Apr. 22, 2014; 24 pages.
- Treat yourself: Sugarfina!_Twinkie Chan Blog; <http://blog.twinkiechan.com/2012/09/20/treat-yourself-sugarfina/>; Sep. 20, 2012; 13 pages.
- Sugarfina << MDH Mark D Hogan; <https://markdhogan.wordpress.com/tag/sugarfina/>; Aug. 29, 2013; 7 pages.
- Sugarfina (Beverly Hills, CA) • The Episodic Eater; <https://www.theepisodiceater.com/sugarfina-beverly-hills-ca/>; unknown date; 29 pages.

* cited by examiner

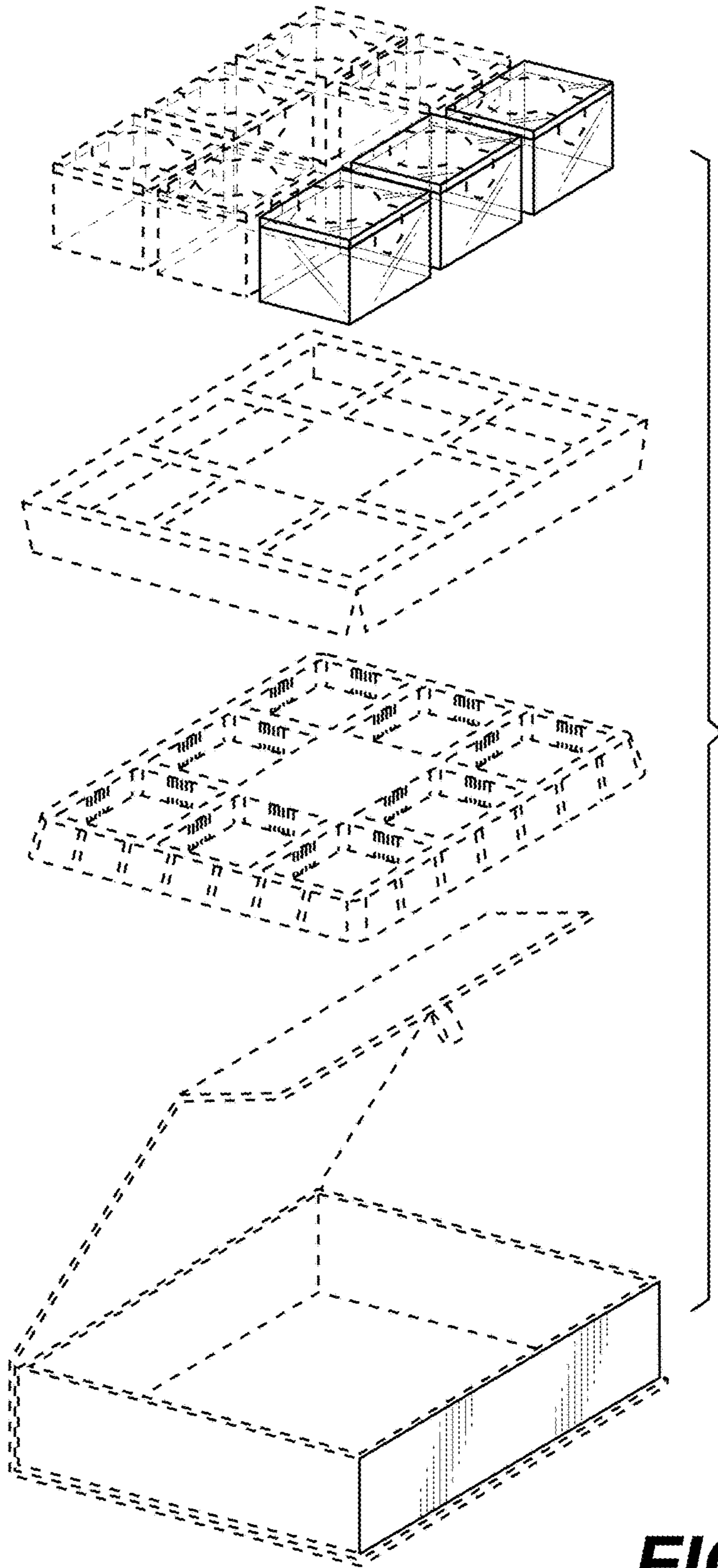


FIG. 1

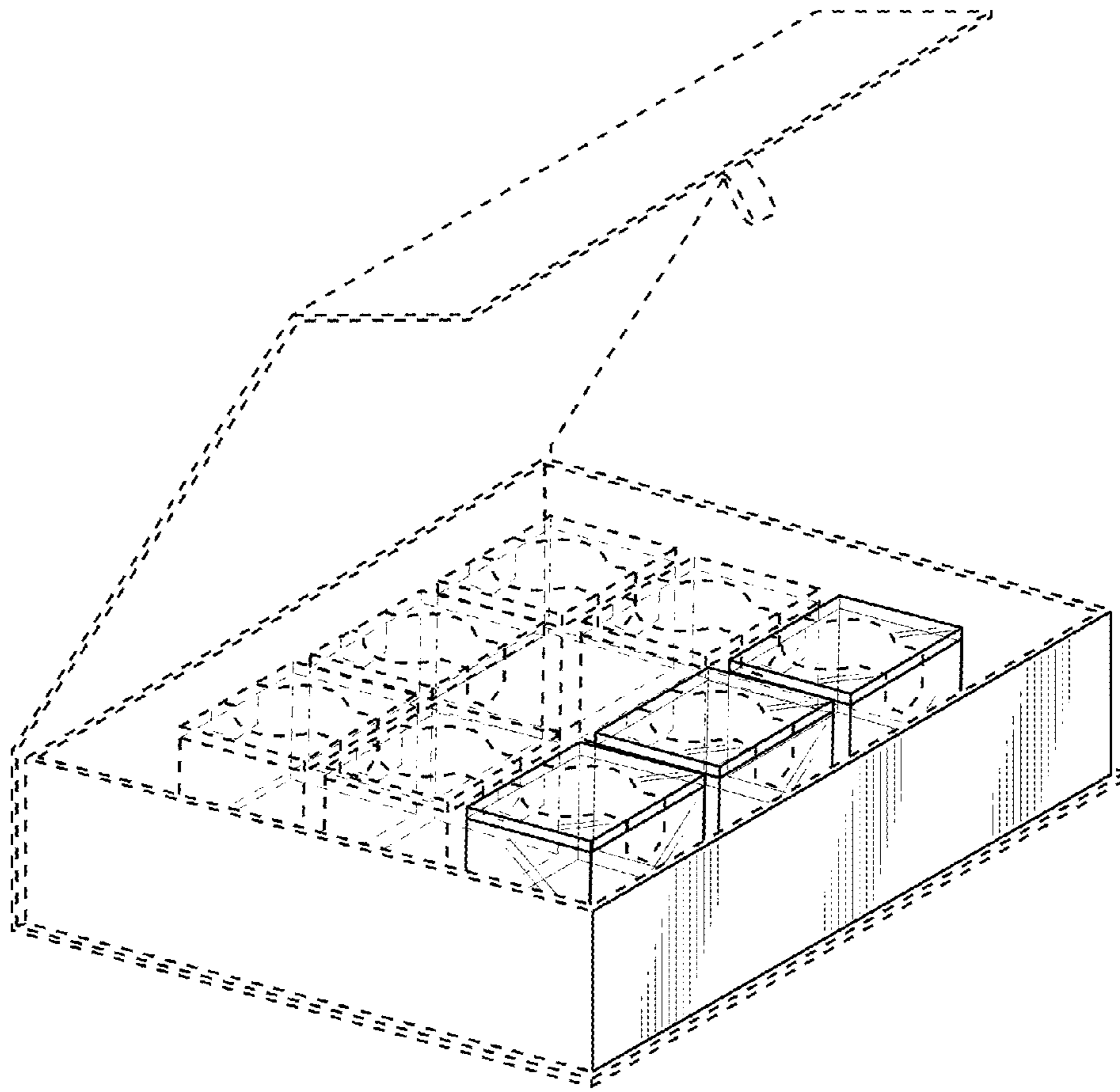


FIG. 2



FIG. 4

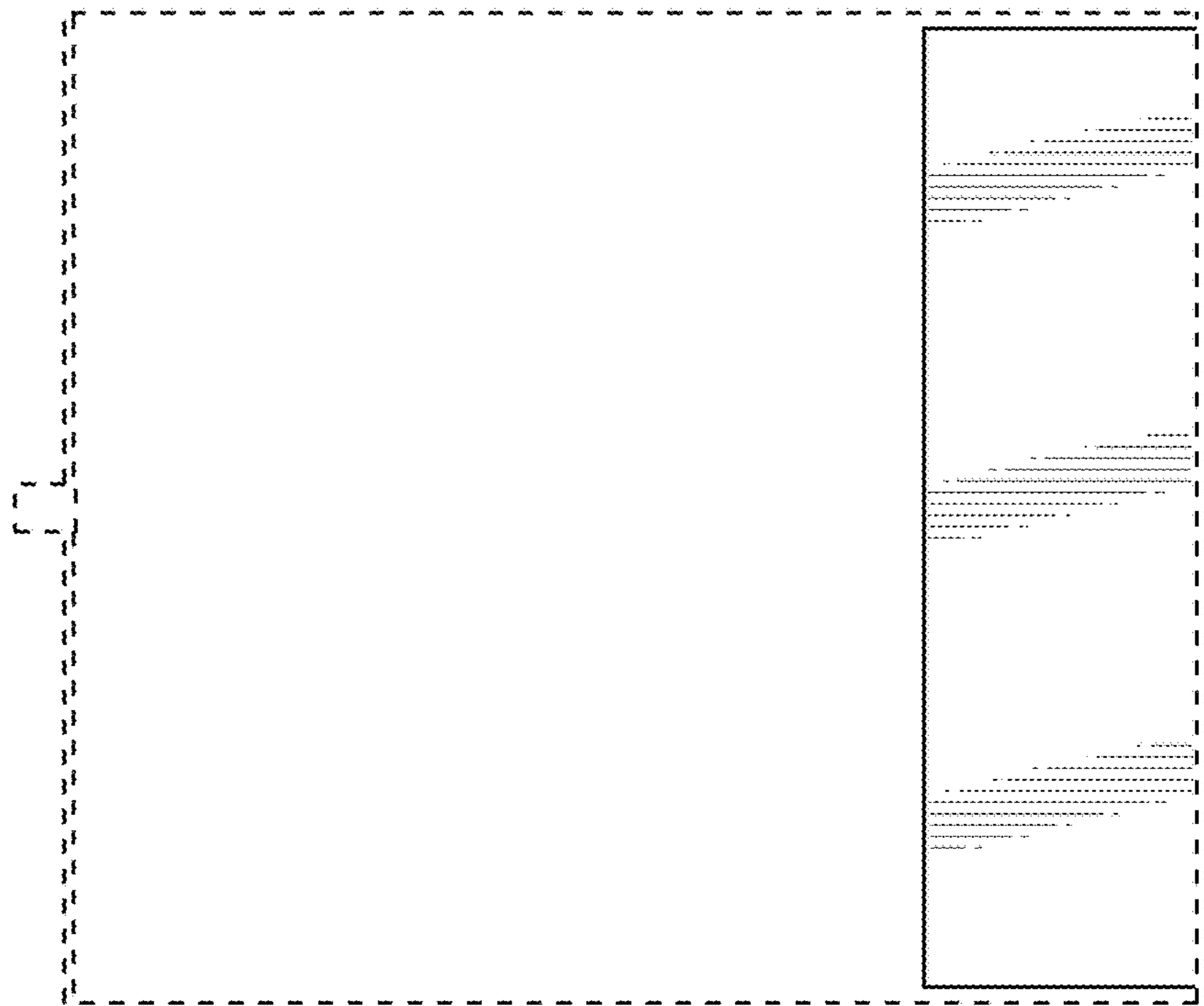


FIG. 3

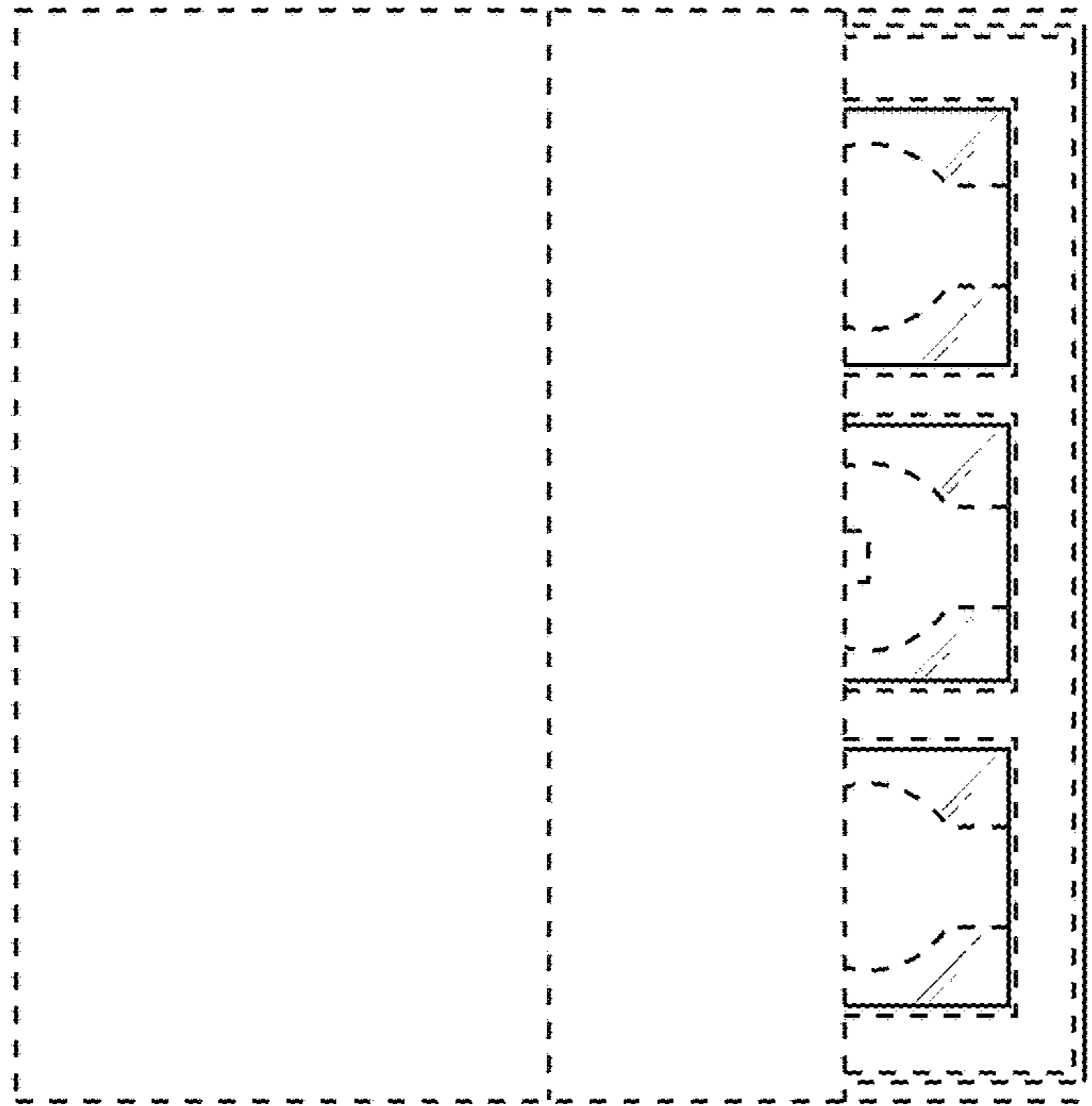


FIG. 5

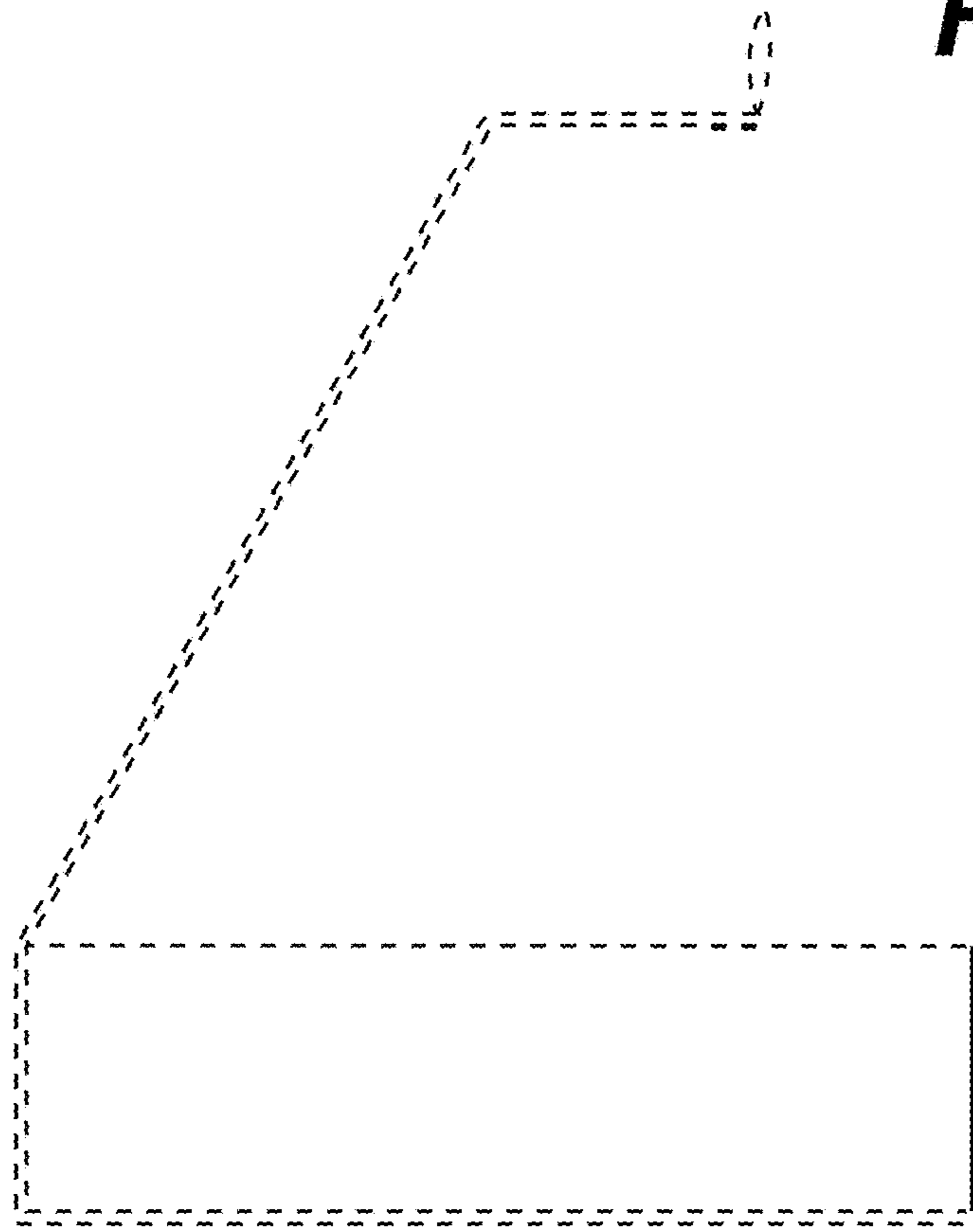


FIG. 6