



US00D826733S

(12) **United States Design Patent**  
**Medhurst**

(10) **Patent No.:** **US D826,733 S**

(45) **Date of Patent:** **\*\* Aug. 28, 2018**

- (54) **CUTTING BLADE DISPENSER**
- (71) Applicant: **Simon Medhurst**, Burlington (CA)
- (72) Inventor: **Simon Medhurst**, Burlington (CA)
- (\*\*) Term: **15 Years**
- (21) Appl. No.: **29/582,381**
- (22) Filed: **Oct. 27, 2016**
- (51) **LOC (11) Cl.** ..... **09-01**
- (52) **U.S. Cl.**  
USPC ..... **D9/735**
- (58) **Field of Classification Search**  
USPC ..... D9/415, 418, 414, 433, 721, 715, 720,  
D9/735, 730, 733; D3/257; D6/515, 526  
CPC ..... A24F 27/00; B65D 51/0223; B65D  
2543/0026; B65D 83/10; B65D 83/0847;  
B65D 83/0409; B65D 83/0418; B65D  
83/02; B65D 25/10; B65D 5/72; B65D  
5/48024; B65D 5/724; B65D 85/00;  
B65D 85/60  
See application file for complete search history.

- 5,251,783 A \* 10/1993 Gringer ..... B65D 83/10  
221/102
- 6,158,616 A \* 12/2000 Huang ..... B65D 83/10  
221/102
- 6,598,761 B1 \* 7/2003 Chou ..... B65D 83/10  
221/228
- 6,796,455 B2 \* 9/2004 Schmidt ..... B65D 83/10  
206/358
- D613,944 S \* 4/2010 Molina ..... D3/294
- D645,338 S \* 9/2011 Kapur ..... D3/294
- 9,162,811 B2 \* 10/2015 Schneider ..... B65D 83/10
- D745,823 S \* 12/2015 Liu ..... D9/415
- 2004/0178214 A1 \* 9/2004 Wei ..... B25H 3/00  
221/247
- 2013/0126550 A1 \* 5/2013 Schneider ..... B65D 83/10  
221/270

\* cited by examiner

*Primary Examiner* — Lauren R Calve

(74) *Attorney, Agent, or Firm* — Patrick J. Hofbauer

(57) **CLAIM**

The ornamental design for a cutting blade dispenser, as shown and described.

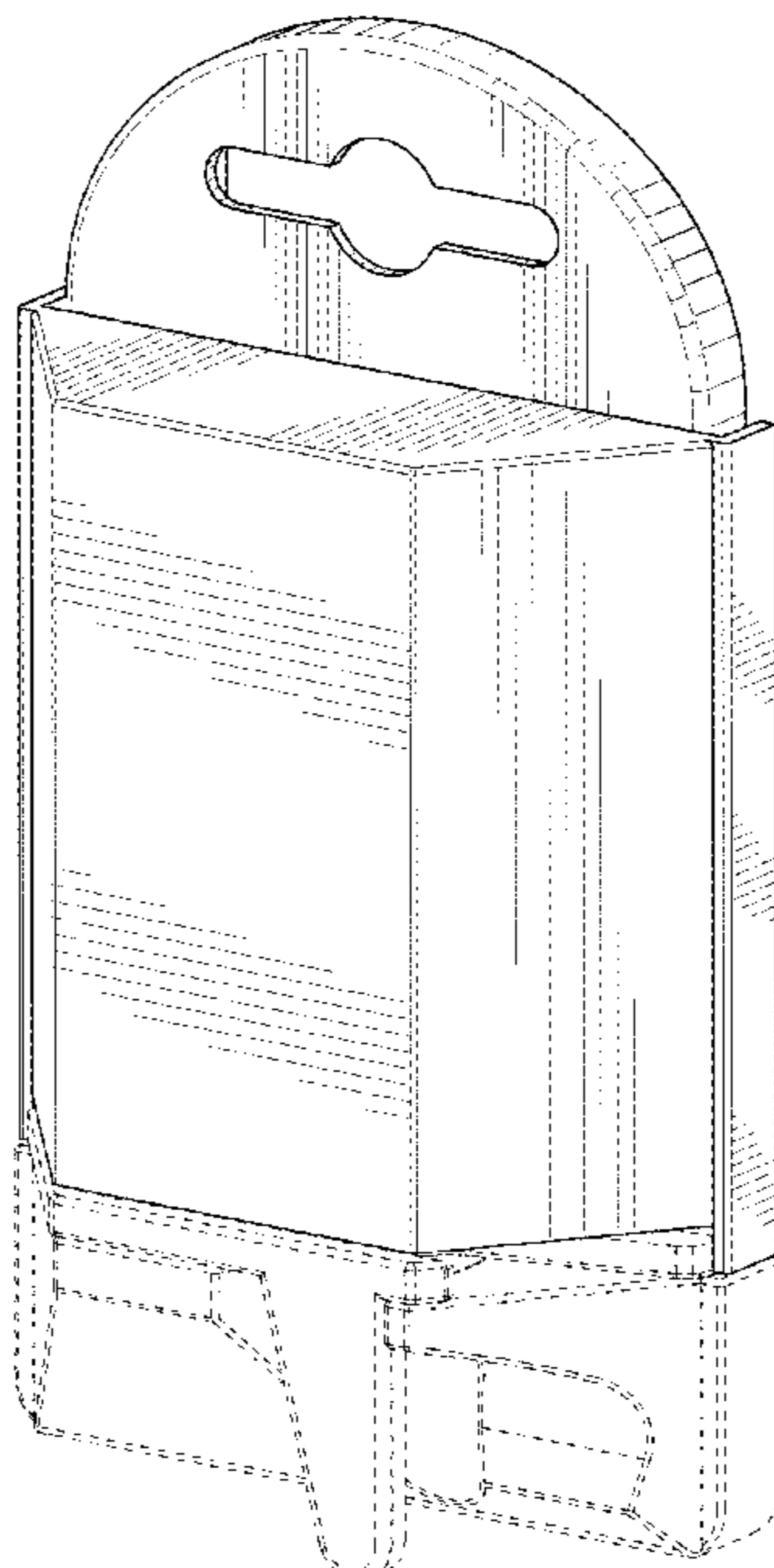
**DESCRIPTION**

FIG. 1 is a front perspective view of a cutting blade dispenser showing my new design;  
 FIG. 2 is a rear perspective view thereof;  
 FIG. 3 is a front elevational view thereof;  
 FIG. 4 is a rear elevational view thereof;  
 FIG. 5 is a left side elevational view thereof;  
 FIG. 6 is a right side elevational view thereof;  
 FIG. 7 is a top plan view thereof; and,  
 FIG. 8 is a bottom plan view thereof.  
 The broken lines shown represent subject matter that forms no part of the claimed design.

**1 Claim, 6 Drawing Sheets**

(56) **References Cited**  
U.S. PATENT DOCUMENTS

- D149,614 S \* 5/1948 Carr ..... 206/228
- 3,650,433 A \* 3/1972 Robertson ..... B65D 83/0823  
221/65
- D224,290 S \* 7/1972 Robertson ..... D9/735
- 4,789,080 A \* 12/1988 Iten ..... B65D 83/10  
221/279
- 4,826,042 A \* 5/1989 Vujovich ..... B65D 83/10  
206/208
- 4,930,627 A \* 6/1990 Borst ..... B65D 75/366  
206/45.23



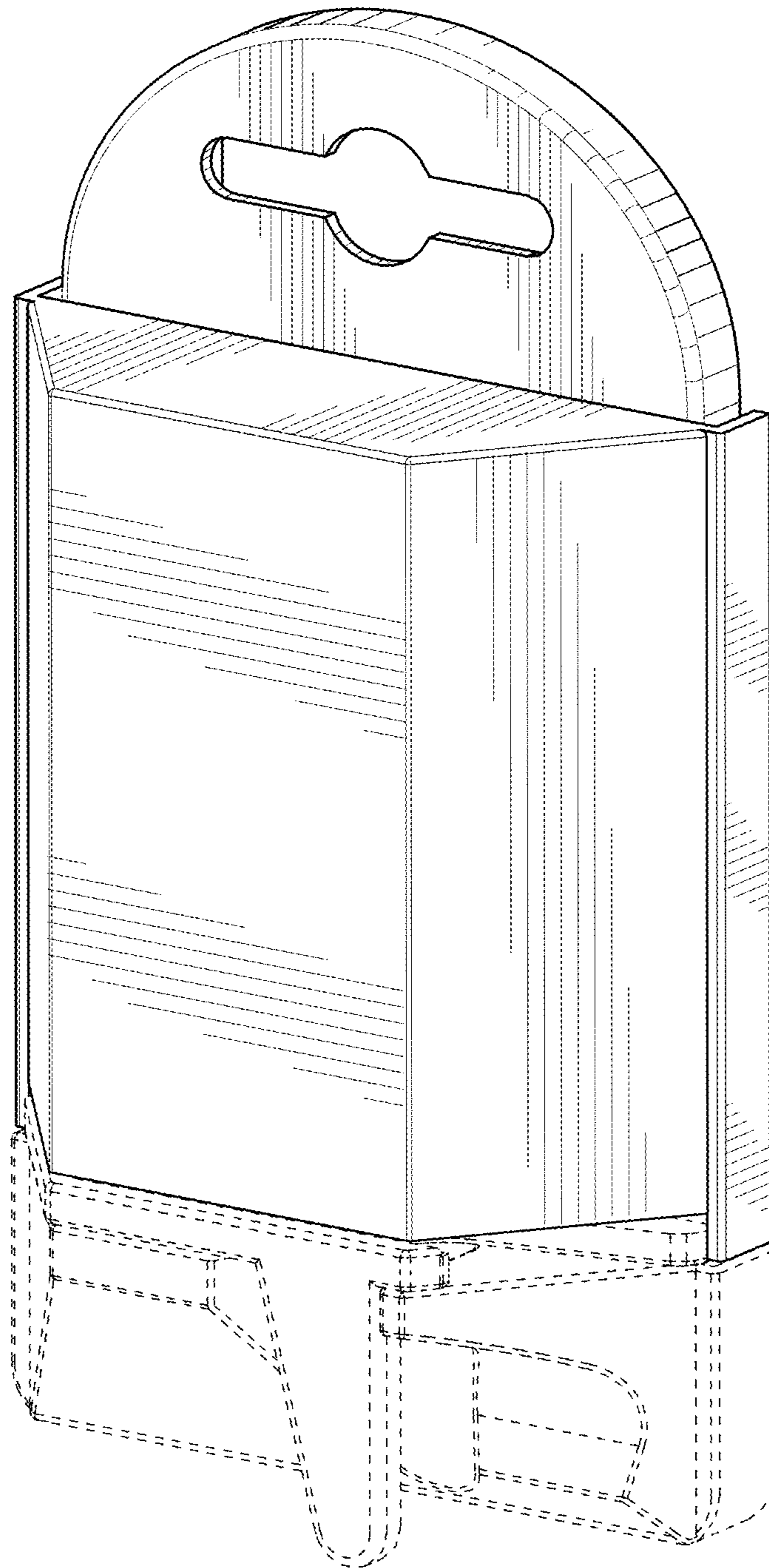


FIG.1

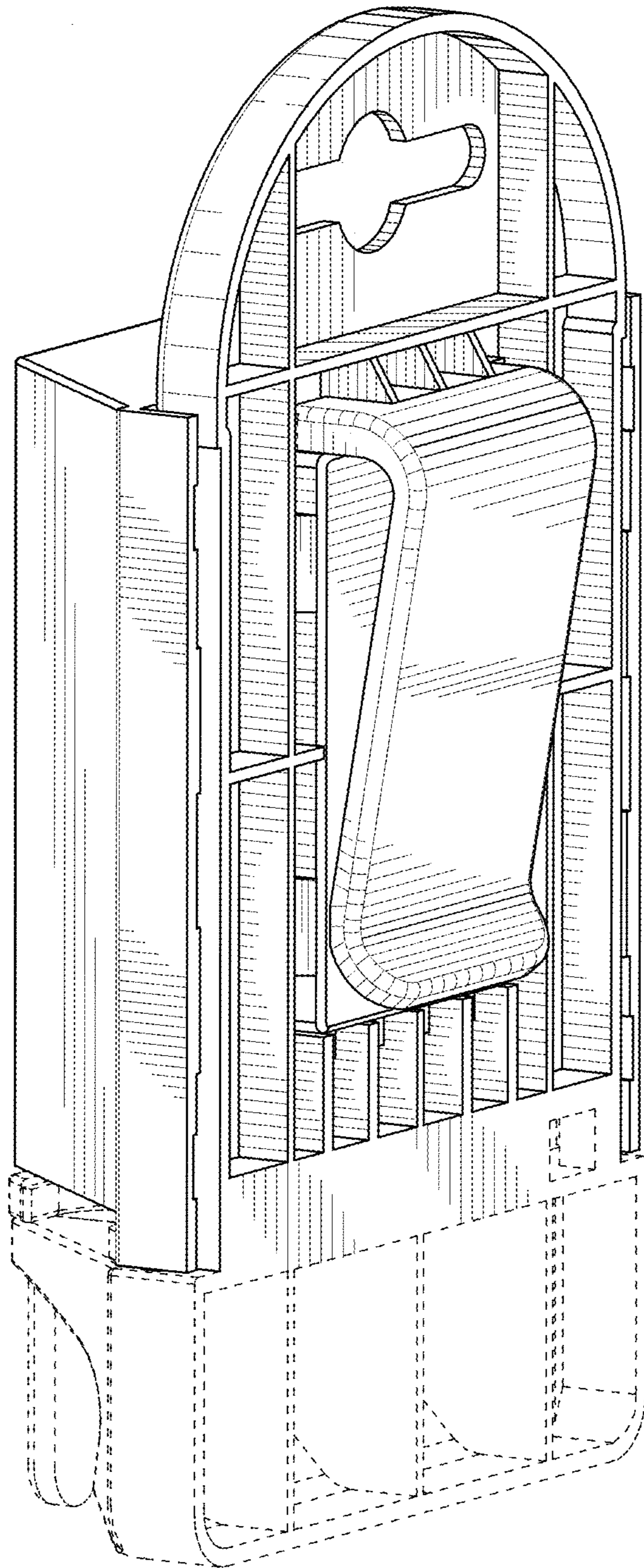


FIG.2

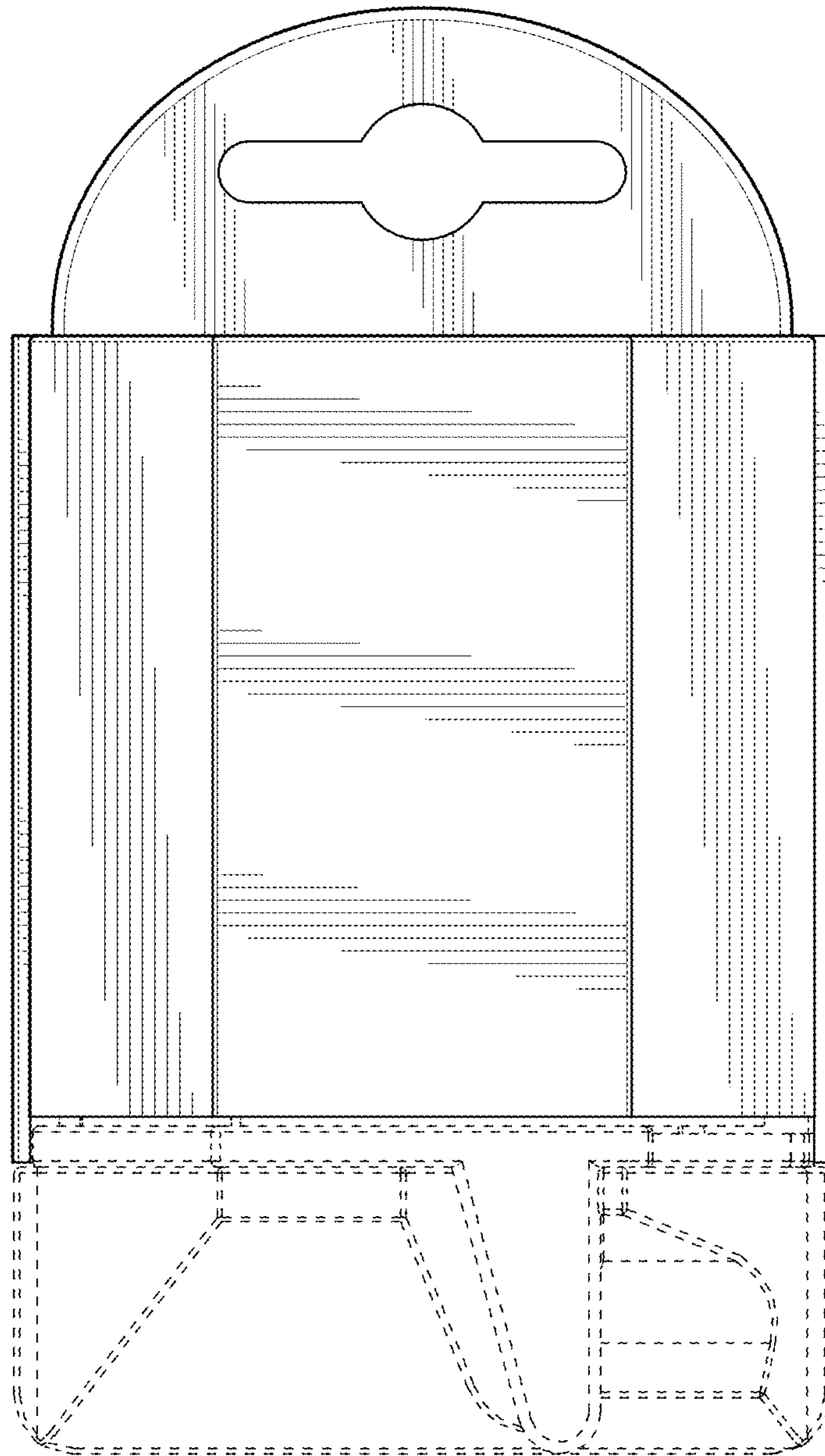


FIG.3



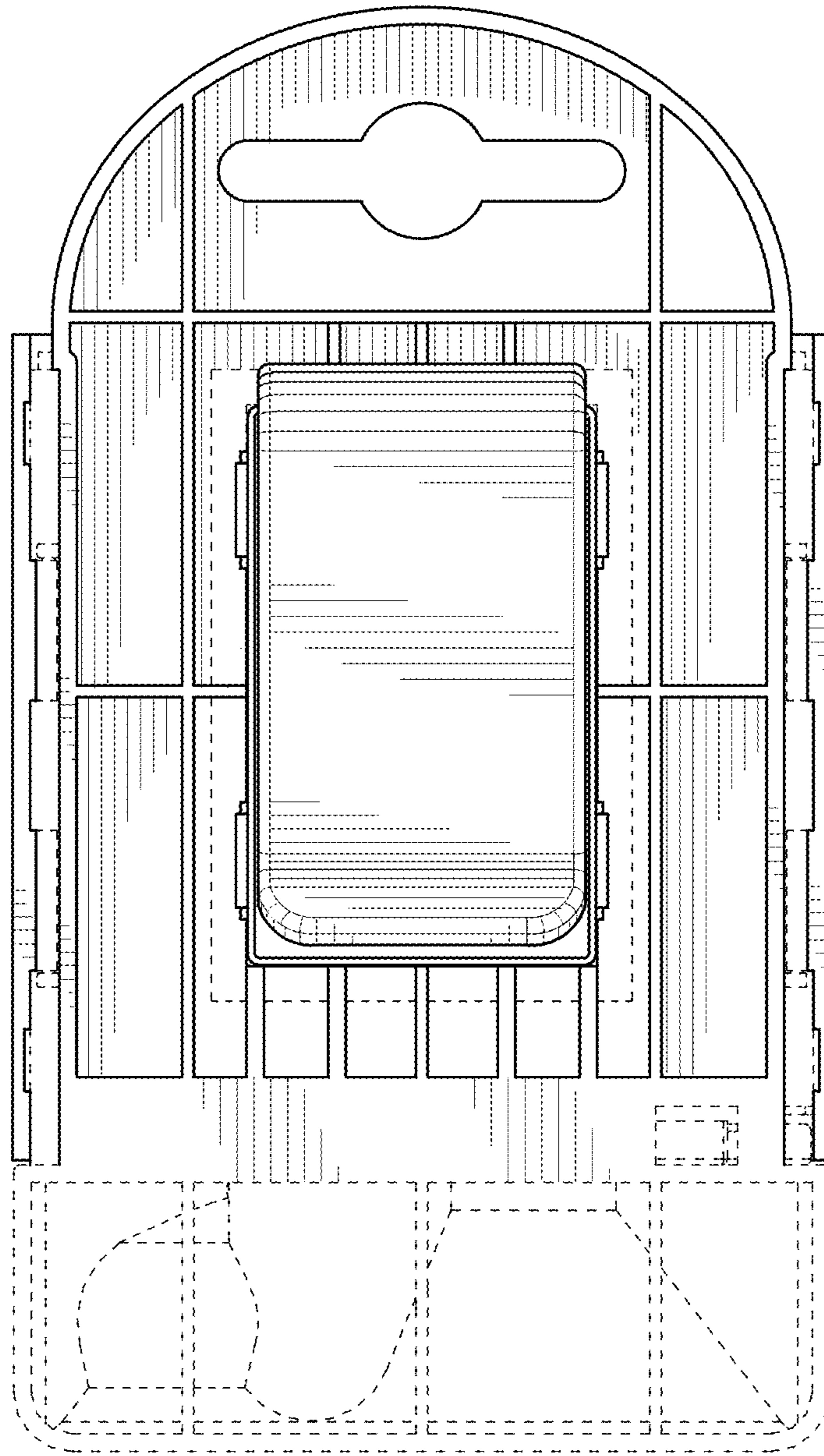


FIG.4

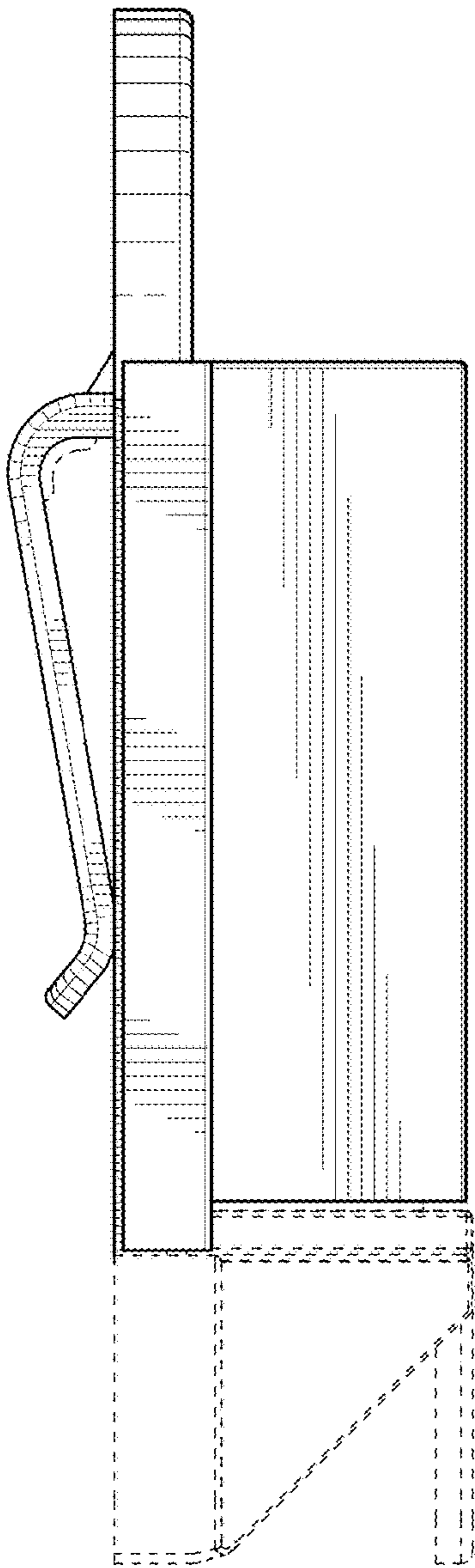


FIG. 5

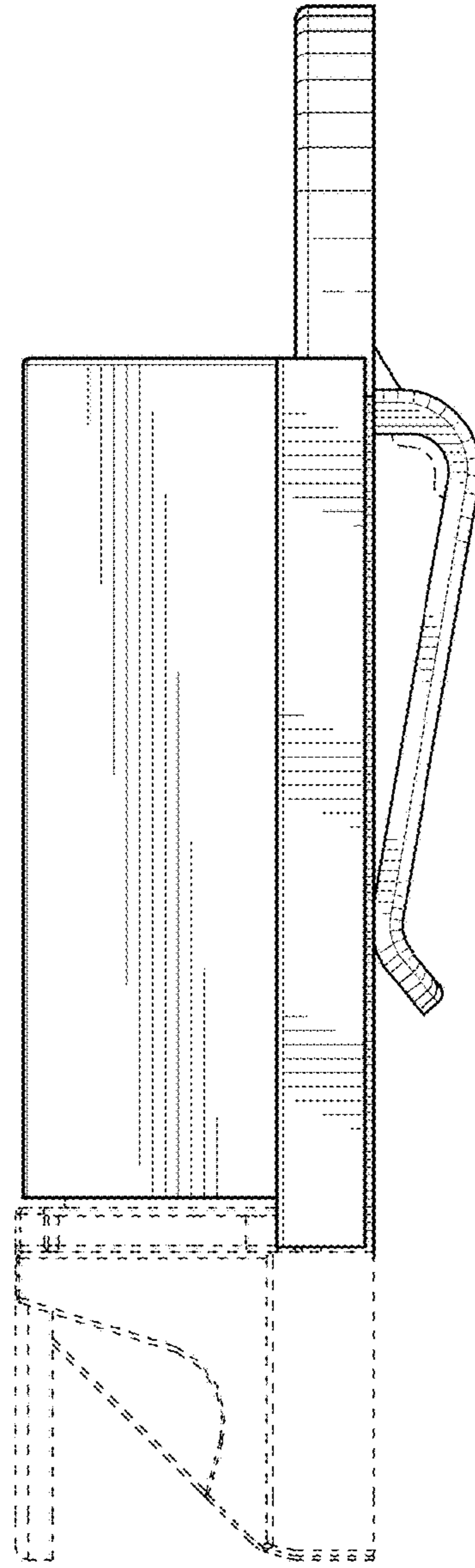


FIG. 6

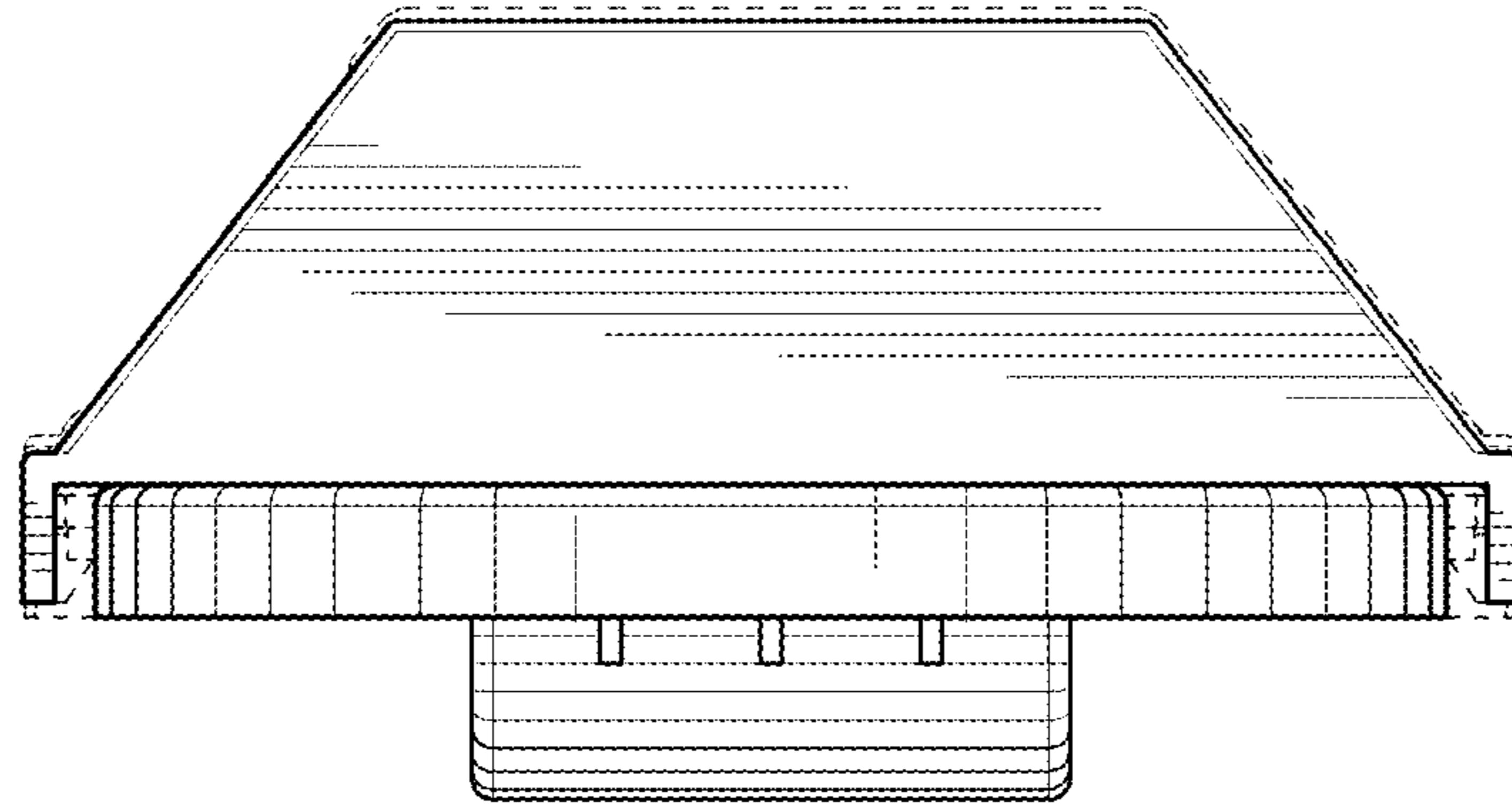


FIG. 7

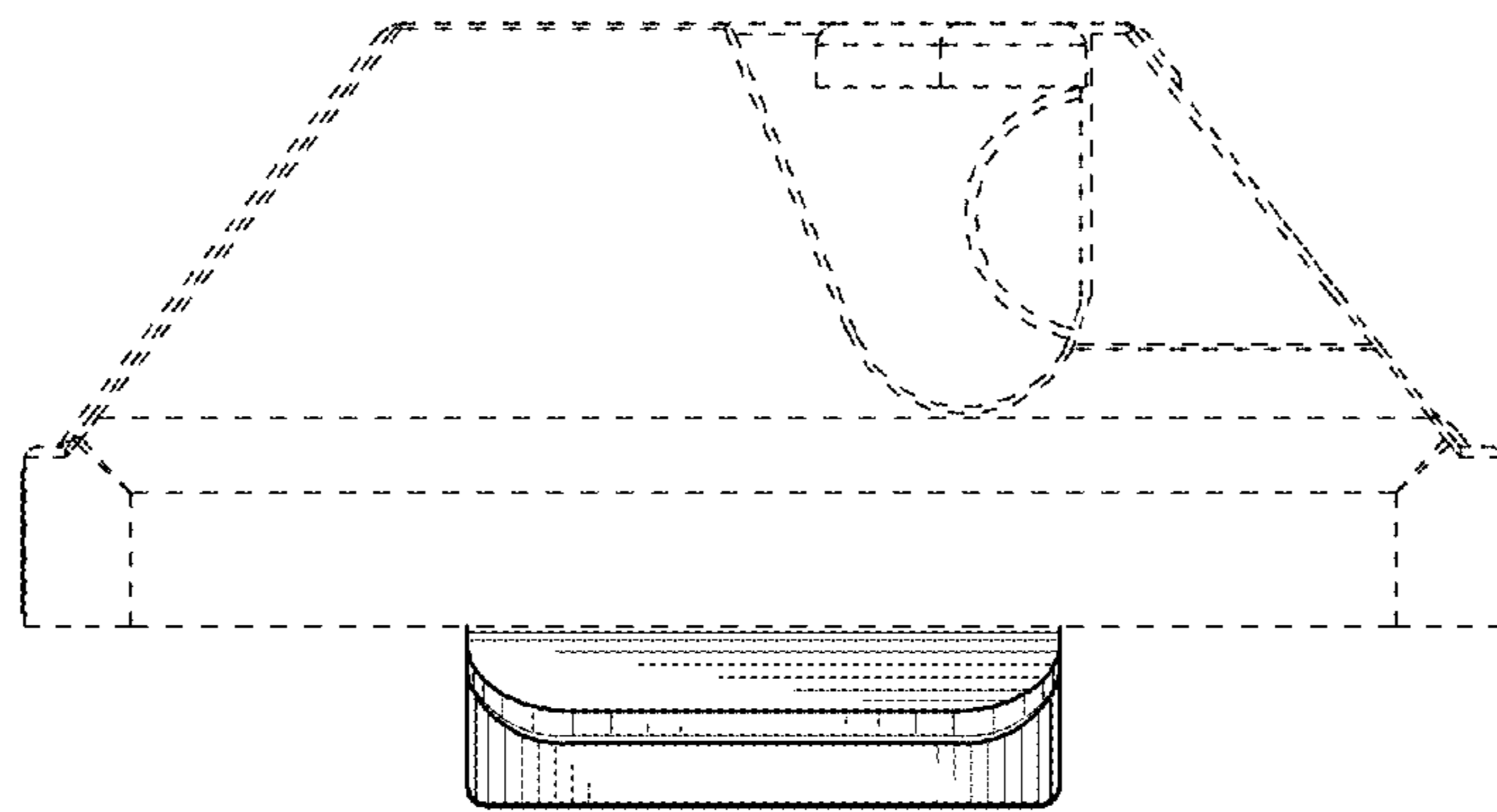


FIG. 8