



US00D826723S

(12) **United States Design Patent**
Rhodes et al.

(10) **Patent No.:** **US D826,723 S**
(45) **Date of Patent:** **** Aug. 28, 2018**

(54) **CONTAINER**

(71) Applicant: **Johnson & Johnson Consumer Inc.**,
Skillman, NJ (US)

(72) Inventors: **Evan Rhodes**, Brooklyn, NY (US);
Stephane Robic, Val De Reuil (FR);
Thomas Zauser, Bizau (AT)

(73) Assignee: **Johnson & Johnson Consumer Inc.**,
Skillman, NJ (US)

(**) Term: **15 Years**

(21) Appl. No.: **29/602,750**

(22) Filed: **May 3, 2017**

(51) **LOC (11) Cl.** **09-01**

(52) **U.S. Cl.**

USPC **D9/550; D9/558**

(58) **Field of Classification Search**

USPC D9/516, 520, 529-530, 542, 549-550,
D9/558, 563, 571, 600, 715, 719

CPC B65D 1/00; B65D 1/02; B65D 1/0223;
B65D 23/00; B65D 81/00; B65D
2501/00; B65D 2501/0009; B65D
2501/0081

See application file for complete search history.

(56) **References Cited**

U.S. PATENT DOCUMENTS

D204,707 S	5/1966	Abbott	
D207,429 S *	4/1967	McLean	D9/522
3,342,379 A	9/1967	Foley	
D212,278 S	9/1968	Weckman	
D225,834 S	1/1973	Kneapler	
D241,418 S	9/1976	Koenigsberg	
D245,225 S	8/1977	Lyons	
D257,504 S	11/1980	Weckman	
D274,309 S	6/1984	Aldrich, III	
D323,602 S	2/1992	Katz	
D324,998 S	3/1992	Klapwald	
D336,614 S	6/1993	Crawford	

D342,452 S	12/1993	Monaghan	
D346,740 S	5/1994	Charet et al.	
D349,057 S	7/1994	Farce	
D353,775 S *	12/1994	Thompson	D9/545

(Continued)

OTHER PUBLICATIONS

Mintel, Bottle—Body Lotion, Unilever, Dove Baby, Dec. 2014.
(Continued)

Primary Examiner — Dana L Meyrow

(74) *Attorney, Agent, or Firm* — Laura A Donnelly

(57) **CLAIM**

The ornamental design for a container, as shown and described.

DESCRIPTION

FIG. 1 is a top perspective view of the front side of a container of the present invention.

FIG. 2 is a bottom perspective view of the back side of the container depicted in FIG. 1.

FIG. 3 is a front elevational view of the container depicted in FIG. 1.

FIG. 4 is a side elevational view of the right side of the container depicted in FIG. 1.

FIG. 5 is a back elevational view of the container depicted in FIG. 1.

FIG. 6 is a side elevational view of the left side of the container depicted in FIG. 1.

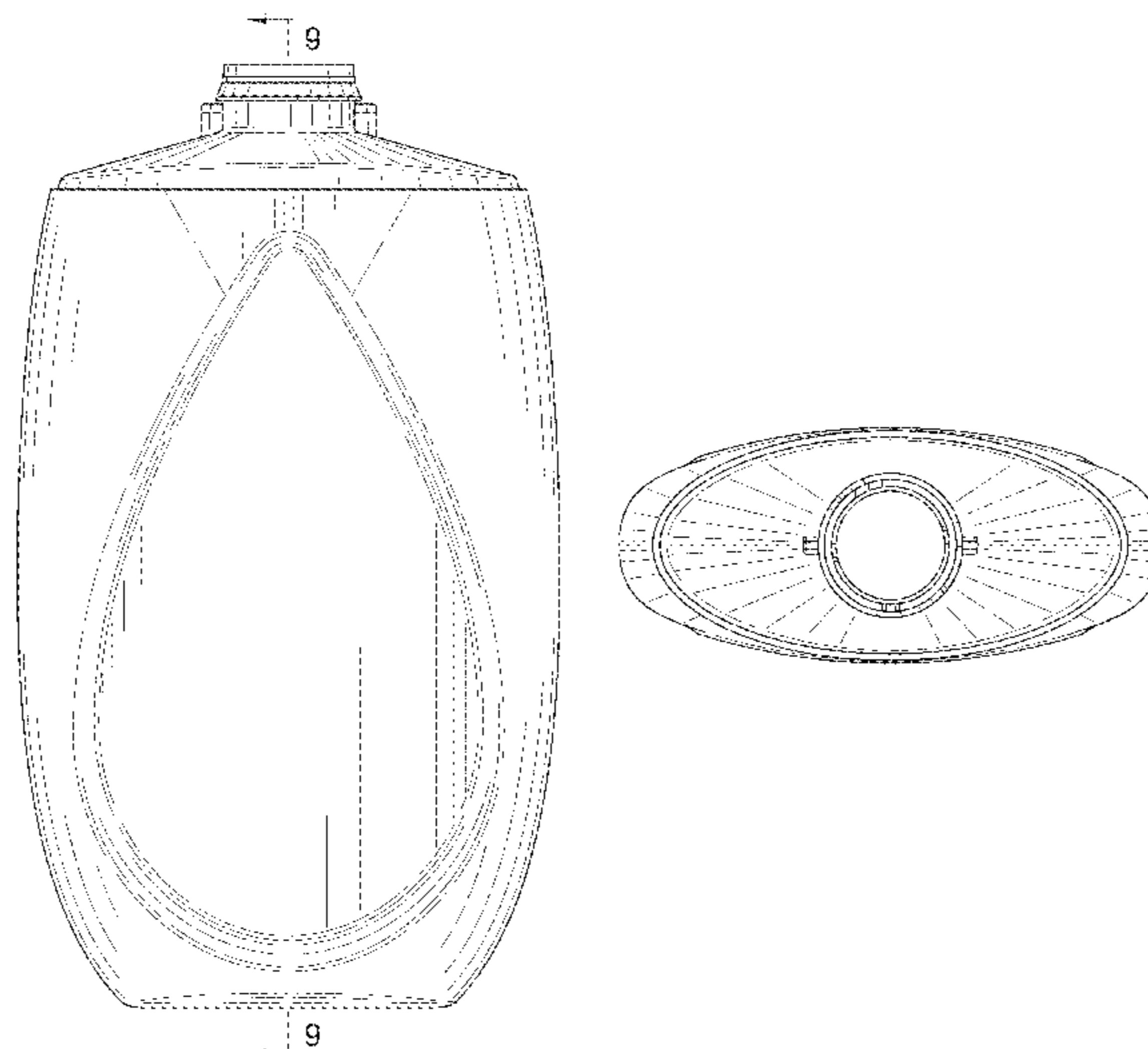
FIG. 7 is a top view of the container depicted in FIG. 1.

FIG. 8 is a bottom view of the container depicted in FIG. 1; and,

FIG. 9 is a cross-section view of the container depicted in FIG. 1, taken along the line 9-9 in FIG. 3.

The ornamental design which is claimed is shown in solid lines in the drawings. Any dashed broken lines are shown for the purpose of illustrating portions of the dispensing container that form no part of the claimed design.

1 Claim, 7 Drawing Sheets



(56)

References Cited

U.S. PATENT DOCUMENTS

D376,310 S	12/1996	Crawford	D592,957 S	5/2009	Davis et al.
D379,923 S	6/1997	De Baschmakoff	D595,582 S	7/2009	Cowan-Hughes et al.
D383,390 S	9/1997	Abfier et al.	D598,758 S	8/2009	Hilliard, Jr. et al.
5,667,107 A	9/1997	Lindsey	D598,759 S	8/2009	Hilliard, Jr. et al.
D392,561 S	3/1998	Markey et al.	D598,760 S	8/2009	Hilliard, Jr. et al.
D392,898 S	3/1998	Butler et al.	D598,761 S	8/2009	Hilliard, Jr. et al.
D398,225 S	9/1998	Zaksenberg	D598,762 S	8/2009	Hilliard, Jr. et al.
D398,238 S	9/1998	Bertolini et al.	D598,763 S	8/2009	Hilliard, Jr. et al.
D399,747 S	10/1998	Bertolini et al.	D598,764 S	8/2009	Hilliard, Jr. et al.
D412,978 S	8/1999	Cameron	D598,765 S	8/2009	Hilliard, Jr. et al.
D414,103 S	9/1999	Crawford	D598,766 S	8/2009	Hilliard, Jr. et al.
5,996,850 A	12/1999	Morali et al.	D598,767 S	8/2009	Hilliard, Jr. et al.
D419,883 S	2/2000	Heydenburg et al.	D598,768 S	8/2009	Hilliard, Jr. et al.
D425,432 S *	5/2000	Lewin D9/558	D599,207 S	9/2009	Hilliard, Jr. et al.
D427,072 S	6/2000	Gaffney et al.	D601,899 S	10/2009	Davis et al.
D427,073 S	6/2000	Gaffney et al.	D601,907 S	10/2009	Gainey et al.
D428,344 S	7/2000	Preston	D607,735 S	1/2010	Kuzma et al.
D428,816 S	8/2000	Shiokawa et al.	D610,019 S	2/2010	Navarro et al.
D446,724 S	8/2001	Fenton et al.	D610,261 S	2/2010	Strother et al.
D447,694 S	9/2001	Leggett	D610,910 S	3/2010	Simmons et al.
D447,953 S	9/2001	Brynestad et al.	D611,830 S	3/2010	Casey et al.
D450,593 S	11/2001	Jebb et al.	D611,831 S	3/2010	Cummings et al.
D460,348 S	7/2002	Crawford et al.	D612,264 S	3/2010	Miksovsky
D467,799 S	12/2002	Persson	D612,741 S	3/2010	Miksovsky
D468,423 S	1/2003	Renfrew	D613,176 S	4/2010	Gameros et al.
D468,643 S	1/2003	Kuzma et al.	D613,397 S	4/2010	Nakao et al.
D470,043 S	2/2003	Crawford	D618,554 S	6/2010	Bruscha et al.
D484,403 S	12/2003	Crawford	D619,008 S	7/2010	Handy et al.
D485,747 S	1/2004	Crawford	D628,490 S	12/2010	Sato et al.
D486,065 S	2/2004	Hutchinson et al.	D633,807 S	3/2011	Fahy et al.
D486,395 S	2/2004	Lovell et al.	D634,637 S	3/2011	Gentil
D486,737 S	2/2004	Oates	D638,713 S	5/2011	de Cleir et al.
D491,813 S	6/2004	Calello	D638,714 S	5/2011	de Cleir et al.
D496,202 S	9/2004	Hansen	D638,715 S	5/2011	Albaum et al.
D498,145 S	11/2004	McLeish	D643,737 S	8/2011	Handy
D498,415 S	11/2004	Schuller et al.	D646,575 S *	10/2011	Davis D9/530
D502,110 S	2/2005	Theunynck	D646,576 S	10/2011	Davis et al.
D503,890 S	4/2005	Thunberg et al.	D650,679 S	12/2011	de Cleir et al.
D509,441 S	9/2005	Wilson et al.	D650,686 S	12/2011	de Cleir et al.
D510,029 S	9/2005	Marcot	D654,800 S	2/2012	Geeraert et al.
D510,033 S	9/2005	McLeish	D656,839 S	4/2012	Shaw et al.
D513,189 S	12/2005	Busa, Jr. et al.	D657,258 S	4/2012	Geeraert et al.
D514,948 S	2/2006	Busa, Jr. et al.	D660,708 S	5/2012	Bridgman et al.
D523,144 S	6/2006	Wenger et al.	D666,095 S	8/2012	Blachford et al.
D526,569 S	8/2006	Wurster et al.	D666,103 S	8/2012	Blachford et al.
D527,640 S	9/2006	Cummings et al.	D670,169 S	11/2012	Victorino et al.
D529,392 S	10/2006	Little	D678,069 S	3/2013	Redmond
D532,637 S	11/2006	Bassett et al.	D681,475 S	5/2013	Park
D538,665 S	3/2007	Wilson et al.	D688,561 S	8/2013	Bunce et al.
D538,673 S	3/2007	Sterling et al.	D693,690 S	11/2013	Wakui
D540,680 S	4/2007	Perry et al.	D694,114 S	11/2013	Lecetre et al.
D542,663 S	5/2007	Dziersk et al.	D697,809 S	1/2014	de Cleir et al.
D543,460 S	5/2007	Perry et al.	8,678,215 B2	3/2014	Steiger et al.
D546,693 S	7/2007	Okin et al.	D702,130 S	4/2014	Handy
D548,599 S	8/2007	Blasko	D704,067 S	5/2014	Scott et al.
D552,230 S	10/2007	Collins et al.	D706,636 S	6/2014	de Cleir et al.
D552,730 S	10/2007	Collins et al.	D708,957 S	7/2014	Clough et al.
D555,001 S	11/2007	Perry et al.	8,844,767 B1	9/2014	Bates et al.
D555,003 S	11/2007	Perry et al.	D716,147 S	10/2014	Jordan et al.
D558,590 S	1/2008	Cowan-Hughes et al.	D719,453 S	12/2014	Bunce et al.
D559,705 S	1/2008	Sparks et al.	D720,622 S	1/2015	Gelov
D563,789 S	3/2008	Mongeon et al.	D720,623 S	1/2015	Bunce et al.
D565,422 S	4/2008	Cowan-Hughes et al.	D726,024 S	4/2015	Peng
D567,107 S	4/2008	Crawford et al.	D730,737 S	6/2015	Bunce et al.
D570,219 S	6/2008	Blasko	D735,050 S	7/2015	Tussy
D575,643 S	8/2008	Florio	D736,383 S	8/2015	Parker et al.
7,413,082 B2	8/2008	Adler et al.	D736,639 S	8/2015	McCay et al.
D581,787 S	12/2008	Davis et al.	D738,737 S	9/2015	McCay et al.
D585,290 S	1/2009	Toh	D739,750 S	9/2015	Luijendijk
D587,591 S	3/2009	Crawford	D741,182 S	10/2015	Davis et al.
D588,459 S	3/2009	Davis et al.	D742,757 S	11/2015	Behar et al.
D588,460 S	3/2009	Davis et al.	D743,261 S	11/2015	Jordan et al.
D588,461 S	3/2009	Davis et al.	D747,972 S	1/2016	Allan
D588,462 S	3/2009	Davis et al.	D750,964 S	3/2016	Alvarez De Cienfuegos Hernandez et al.
D589,357 S	3/2009	Crawford	D751,905 S	3/2016	Alvarez De Cienfuegos Hernandez et al.
			D751,911 S	3/2016	Alvarez De Cienfuegos Hernandez et al.

(56)

References Cited

U.S. PATENT DOCUMENTS

D752,441 S	3/2016	Alvarez De Cienfuegos Hernandez et al.	
D753,493 S	4/2016	Alvarez De Cienfuegos Hernandez et al.	
D757,555 S	5/2016	Pires et al.	
D762,299 S	7/2016	Matsuura	
D769,019 S	10/2016	Beck et al.	
D773,307 S	12/2016	Ashbee	
D774,398 S	12/2016	Ashbee	
D787,946 S *	5/2017	Bontorno	D9/434
D788,595 S *	6/2017	Bontorno	D9/434
D788,596 S *	6/2017	Bontorno	D9/434
D788,597 S *	6/2017	Bontorno	D9/434
D788,598 S *	6/2017	Bontorno	D9/434
D794,469 S *	8/2017	Yen	D9/563
2004/0232023 A1	11/2004	Bansal et al.	

OTHER PUBLICATIONS

Mintel, Bottle—Cologne, Unilever, Dove Baby, Dec. 2014.
 Mintel, Bottle—Combing Cream, Unilever, Dove Baby, May 2017.
 Mintel, Bottle—Conditioner, Unilever, Dove Baby Cabelos, May 2017.
 Mintel, Bottle—Conditioner, Unilever, Dove Baby, Dec. 2014.
 Mintel, Bottle—Conditioner, Unilever, Dove Baby, Jul. 2016.
 Mintel, Bottle—Conditioner, Unilever, Dove Baby, May 2017.
 Mintel, Bottle—Head to Toe Liquid Body Soap, Unilever, Dove Baby, Aug. 2016.
 Mintel, Bottle—Head to Toe Liquid Body Soap, Unilever, Dove Baby, Feb. 2016.
 Mintel, Bottle—Head to Toe Shower Gel, Dove Baby, Nov. 2014.
 Mintel, Bottle—Lotion, Unilever, Dove Baby Rich Moisture, May 2017.
 Mintel, Bottle—Lotion, Unilever, Dove Baby Sensitive, May 2017.
 Mintel, Bottle—Shampoo, Unilever, Dove Baby Cabelos, May 2017.
 Mintel, Bottle—Shampoo, Unilever, Dove Baby Rich Moisture, May 2017.
 Mintel, Bottle—Shampoo, Unilever, Dove Baby, Dec. 2014.
 Mintel, Bottle—Shampoo, Unilever, Dove Baby, May 2016.
 Mintel, Bottle—Shampoo, Unilever, Dove Baby, May 2017.

Mintel, Bottle—Tip to Toe Wash, Unilever, Dove Baby Rich Moisture, May 2017.
 Mintel, Bottle—Tip to Toe Wash, Unilever, Dove Baby Sensitive Moisture, Apr. 2017.
 Johnson & Johnson Consumer Inc., U.S. Appl. No. 29/564,550, filed May 13, 2016.
 Johnson & Johnson Consumer Inc., U.S. Appl. No. 29/564,551, filed May 13, 2016.
 Johnson & Johnson Consumer Inc., U.S. Appl. No. 29/564,552, filed May 13, 2016,
 Johnson & Johnson Consumer Inc., U.S. Appl. No. 29/564,554, filed May 13, 2016.
 Johnson & Johnson Consumer Inc., U.S. Appl. No. 29/564,562, filed May 13, 2016.
 Johnson & Johnson Consumer Inc., U.S. Appl. No. 29/564,563, filed May 13, 2016.
 Johnson & Johnson Consumer Inc., U.S. Appl. No. 29/570,890, filed Jul. 13, 2016.
 Johnson & Johnson Consumer Inc., U.S. Appl. No. 29/570,894, filed Jul. 13, 2016.
 Johnson & Johnson Consumer Inc., U.S. Appl. No. 29/583,221, filed Nov. 3, 2016.
 Johnson & Johnson Consumer Inc., U.S. Appl. No. 29/583,222, filed Nov. 3, 2016.
 Johnson & Johnson Consumer Inc., U.S. Appl. No. 29/583,223, filed Nov. 3, 2016.
 Johnson & Johnson Consumer Inc., U.S. Appl. No. 29/583,224, filed Nov. 3, 2016.
 Johnson & Johnson Consumer Inc., U.S. Appl. No. 29/583,225, filed Nov. 3, 2016.
 Johnson & Johnson Consumer Inc., U.S. Appl. No. 29/583,226, filed Nov. 3, 2016.
 Johnson & Johnson Consumer Inc., U.S. Appl. No. 29/602,748, filed May 3, 2017.
 “Garnier Ultra Doux” brand by Garnier, Moisturising Lotion, Jul. 2015, Mintel.
 “Garnier Wahre Schatze” brand by Garnier, Weightless Hair Oil, Nov. 2015, Mintel.
 “Garnier Ultra Doux” brand by Garnier, Shower Care, Jun. 2016, Mintel.
 “Oh So Heavenly” brand by New Clicks, *Nourishing Hand Wash*, Sep. 2009, Mintel (retrieved Jul. 2016).
 “Oh So Heavenly” brand by New Clicks, *Bye-Bye Stress Calming Hand Wash*, Mar. 2015, Mintel (retrieved Jul. 2016).

* cited by examiner

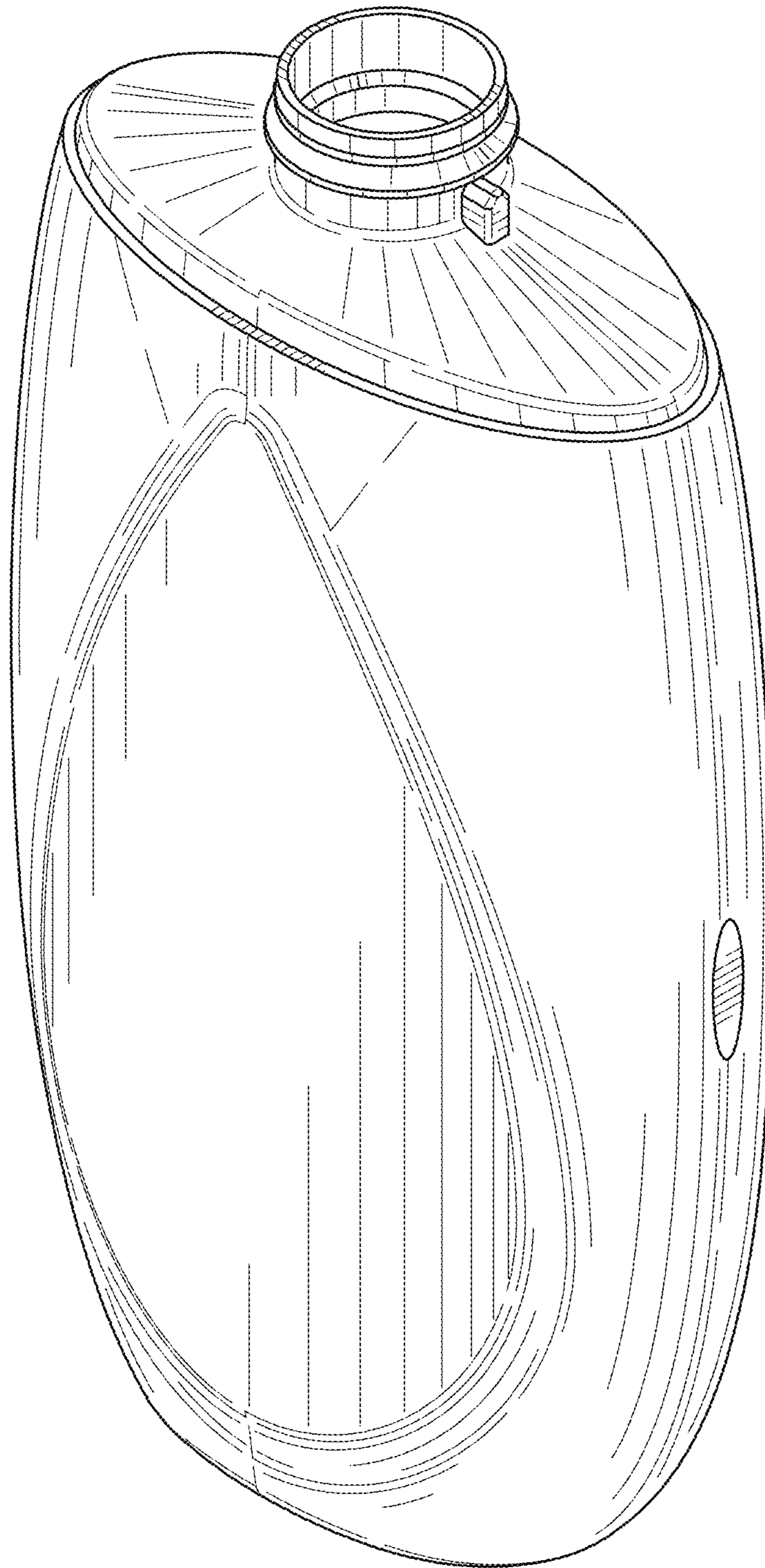


FIG. 1

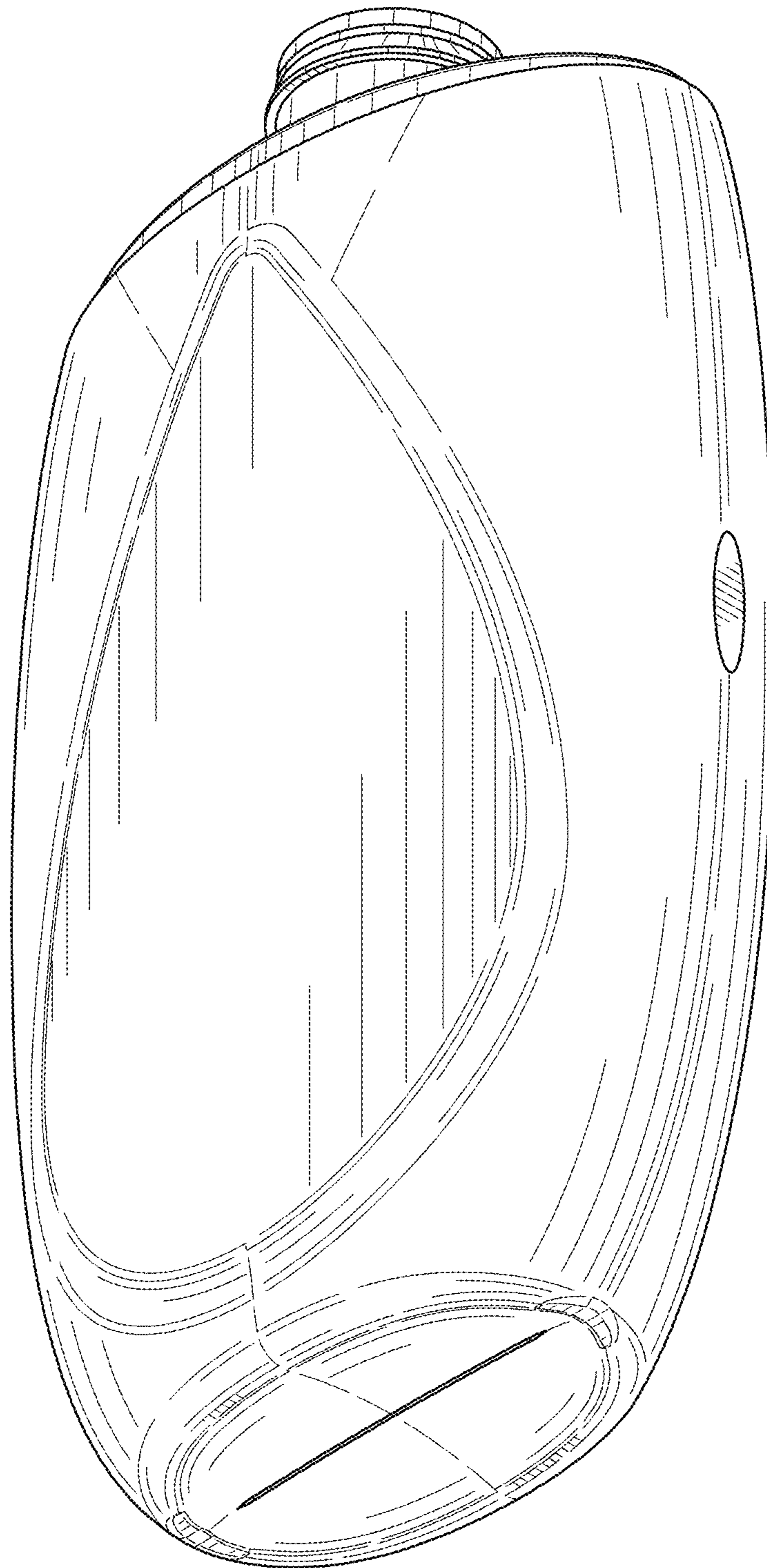


FIG. 2

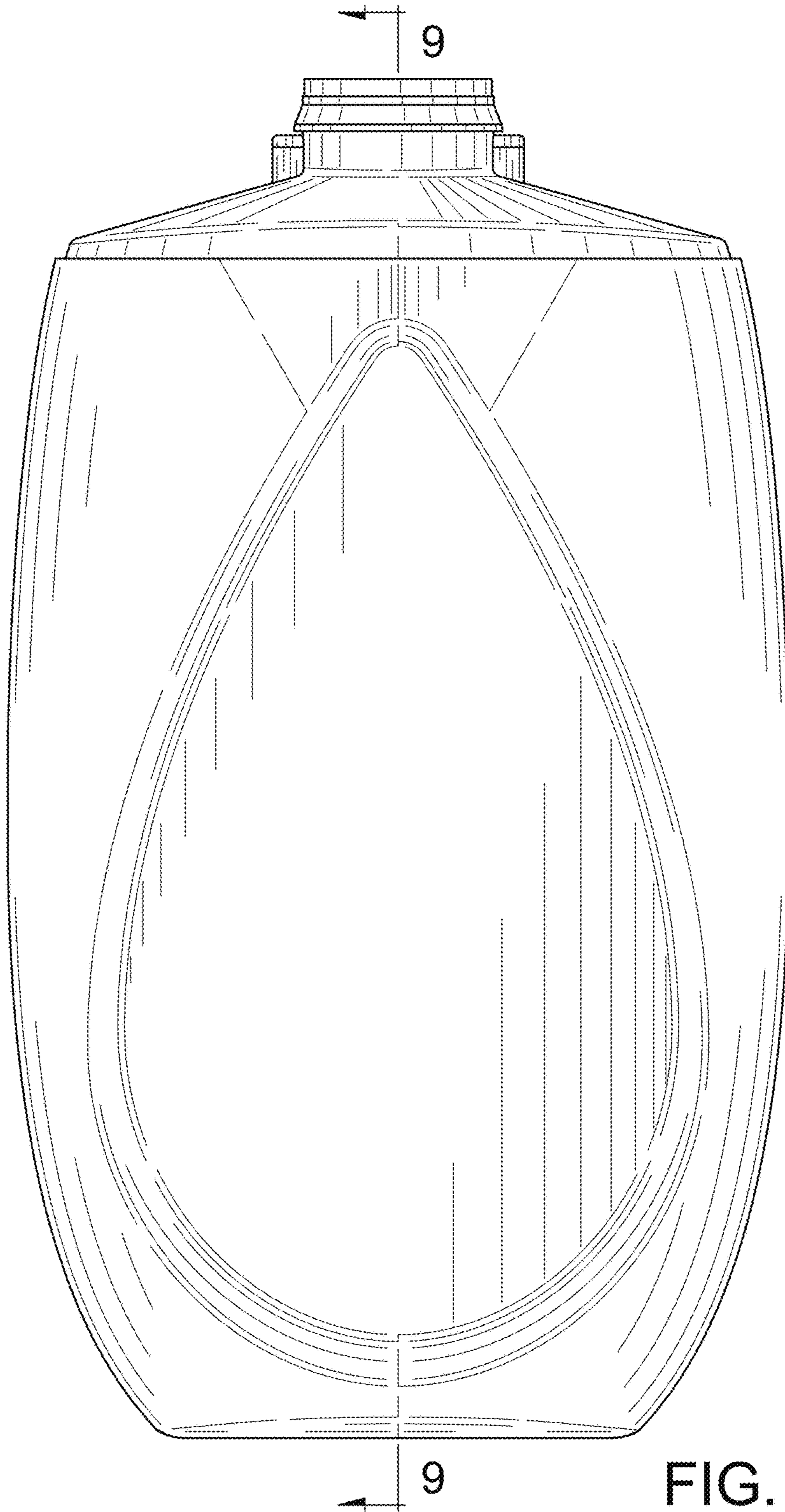


FIG. 3

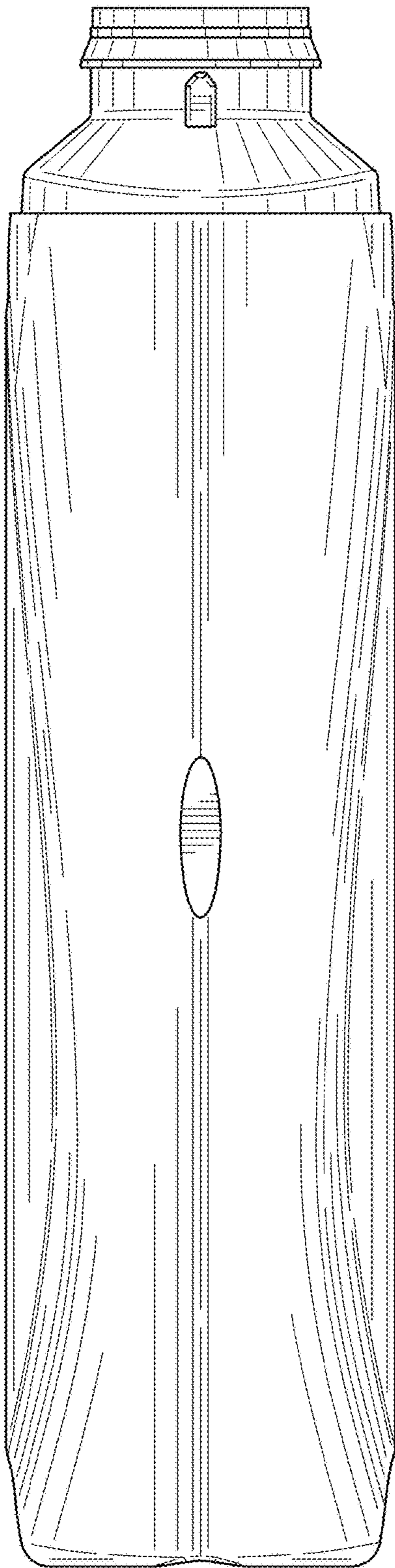


FIG. 4

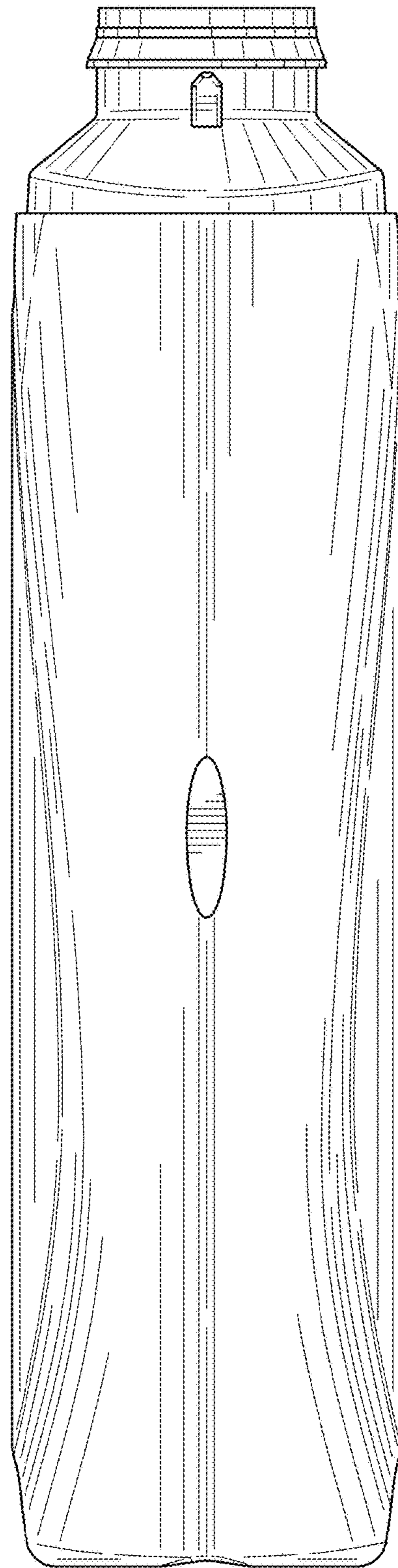


FIG. 6



FIG. 5

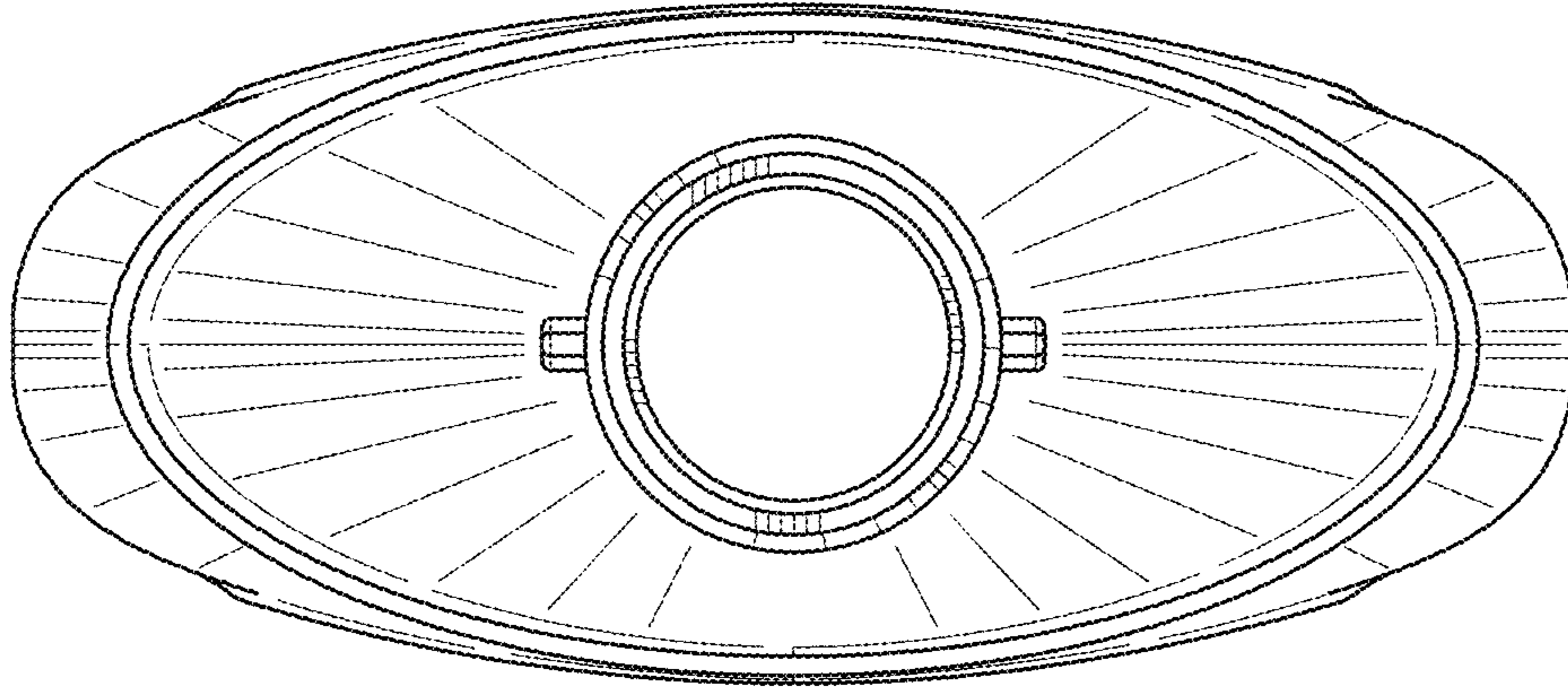


FIG. 7

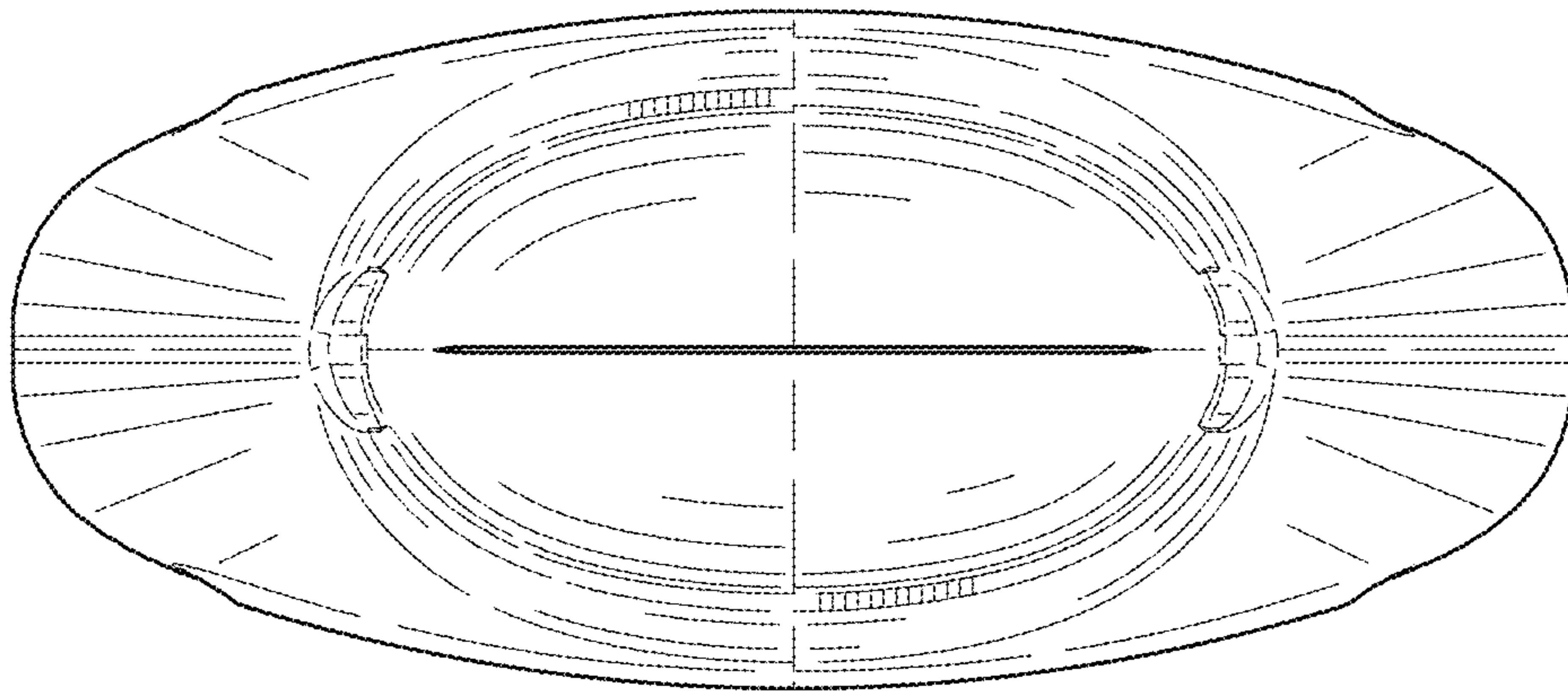


FIG. 8

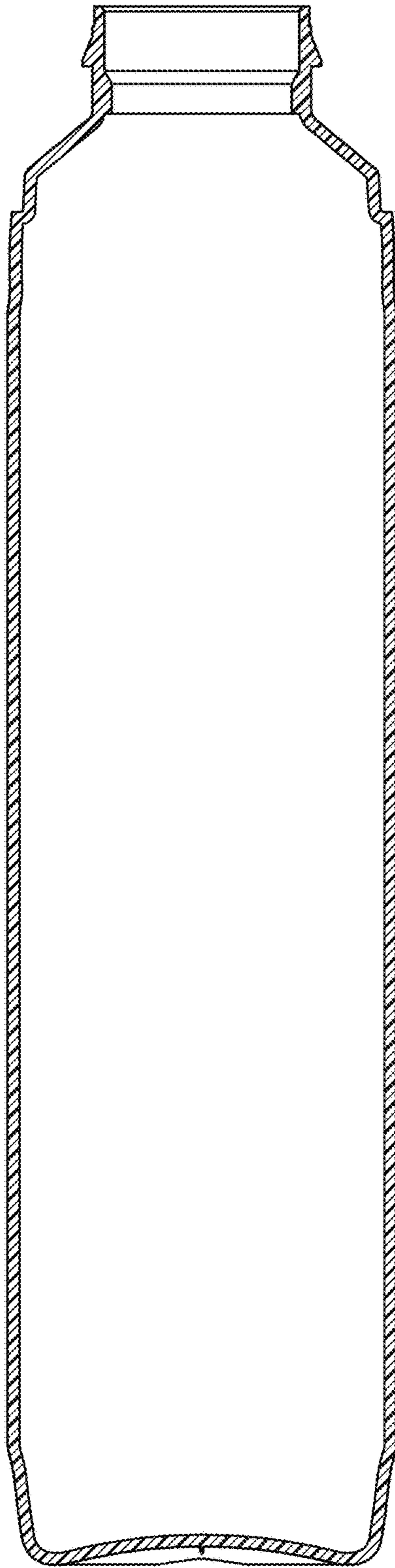


FIG. 9