



US00D826720S

(12) **United States Design Patent** (10) **Patent No.:** **US D826,720 S**
Cesare et al. (45) **Date of Patent:** **** Aug. 28, 2018**

(54) **BOTTLE**
(71) Applicant: **Conopco, Inc.**, Englewood Cliffs, NJ (US)
(72) Inventors: **Slavica Cesare**, Trumbull, CT (US);
Gregory Lalier, Brookfield, CT (US);
Timothy Hope Jebb, Tunbridge Wells (GB)
(73) Assignee: **Conopco, Inc.**, Englewood Cliffs, NJ (US)

D376,310 S 12/1996 Crawford
D404,293 S 1/1999 Bertolini et al.
5,873,491 A 2/1999 Garcia et al.
D406,482 S 3/1999 Kerr
5,938,076 A 8/1999 Ganzeboom
D439,165 S * 3/2001 Erckelbout D9/520
(Continued)

FOREIGN PATENT DOCUMENTS

CN 104340502 2/2015
EP 0970634 1/2003
(Continued)

(**) Term: **15 Years**
(21) Appl. No.: **29/588,738**
(22) Filed: **Dec. 22, 2016**
(51) **LOC (11) Cl.** **09-01**
(52) **U.S. Cl.**
USPC **D9/529**
(58) **Field of Classification Search**
USPC D9/516, 519, 520, 521, 527, 528, 529,
D9/530, 531, 533, 540, 542, 544, 550,
D9/553, 556, 557, 558, 559, 563, 564,
D9/565, 566, 567, 545, 536, 537, 538,
D9/539, 541, 543, 522; D3/202, 203.1,
D3/205; D4/114; D6/515, 542; D7/300,
D7/300.1, 598
CPC B65D 2501/0009; B65D 2501/00; B65D
23/00; B65D 1/0223; B65D 1/00; B65D
1/02
See application file for complete search history.

OTHER PUBLICATIONS

Unique Bottle, [online], [site visited Aug. 26, 2017]. Available from Internet, URL: https://www.alibaba.com/product-detail/400ml-200ml-unique-special-new-design_60573133885.html.
(Continued)

Primary Examiner — Caron D Veynar
Assistant Examiner — Katrina N Gonzalez
(74) *Attorney, Agent, or Firm* — Gerard J. McGowan, Jr.

(57) **CLAIM**

The ornamental design of a bottle, as shown and described.

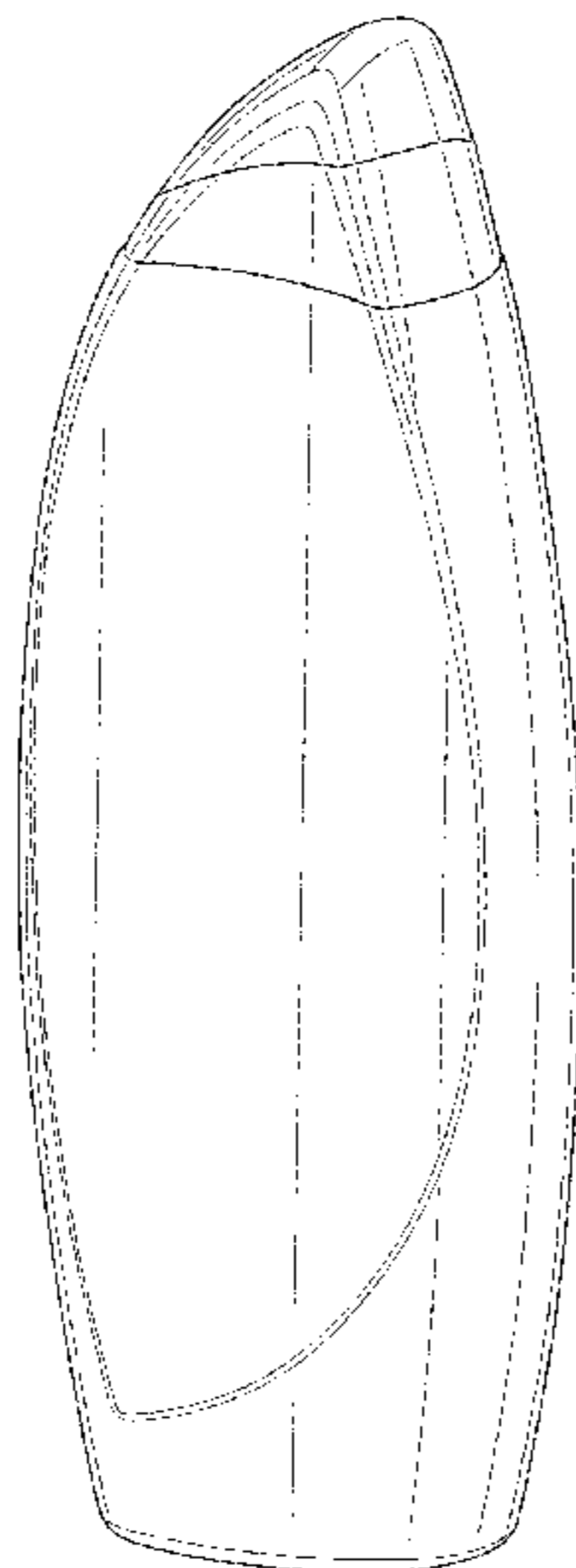
DESCRIPTION

FIG. 1 is a front perspective view from above of a bottle showing our new design;
FIG. 2 is a front elevational view thereof;
FIG. 3 is a rear elevational view thereof;
FIG. 4 is a left elevational view thereof;
FIG. 5 is a right elevational view thereof;
FIG. 6 is a top plan view thereof; and,
FIG. 7 is a bottom plan view thereof.
The broken lines are shown for the purpose of illustrating a portion of the bottle that forms no part of the claimed design.

1 Claim, 5 Drawing Sheets

(56) **References Cited**
U.S. PATENT DOCUMENTS

D197,536 S 2/1964 Brainard et al.
4,704,293 A 11/1987 Moore et al.
D328,712 S 8/1992 Butler et al.
D346,964 S 5/1994 Green
D372,199 S * 7/1996 Lathrop D9/558



(56)

References Cited

U.S. PATENT DOCUMENTS

D449,229 S 10/2001 Mohary et al.
 D450,593 S * 11/2001 Jebb D9/529
 D459,659 S * 7/2002 Chung D9/529
 D460,348 S 7/2002 Crawford et al.
 D468,643 S 1/2003 Kuzma et al.
 6,533,144 B2 3/2003 Davies et al.
 D480,628 S 10/2003 Altonen et al.
 D526,902 S 8/2006 Cummings
 D527,640 S 9/2006 Cummings et al.
 D528,913 S 9/2006 Penfold et al.
 D542,141 S 5/2007 Okin et al.
 D546,693 S 7/2007 Okin et al.
 D588,006 S 3/2009 Boes et al.
 D589,357 S 3/2009 Crawford
 D589,358 S 3/2009 Crawford
 D597,847 S 8/2009 Floyd et al.
 D608,212 S 1/2010 Weyland et al.
 D611,831 S 3/2010 Cummings et al.
 D616,759 S 6/2010 Toh
 D618,554 S 6/2010 Bruscha et al.
 D627,658 S 11/2010 Hale et al.
 D628,885 S 12/2010 Hale et al.
 D632,963 S 2/2011 Hale et al.
 D636,262 S 4/2011 Michitsuji et al.
 D652,306 S * 1/2012 Drake D9/447
 D654,800 S 2/2012 Geeraert et al.
 D666,107 S 8/2012 Blachford et al.
 D673,862 S 1/2013 Garcia
 8,387,614 B2 3/2013 Geser et al.
 D683,631 S 6/2013 Crawford
 D684,064 S 6/2013 Crawford et al.
 D690,202 S 9/2013 Beck et al.
 8,590,753 B2 11/2013 Marina et al.
 D750,964 S * 3/2016 Alvarez De Cienfuegos
 Hernandez D9/521
 D751,911 S * 3/2016 Alvarez de Cienfuegos
 Hernandez D9/521
 D753,493 S * 4/2016 Alvarez De Cienfuegos
 Hernandez D9/521
 D753,494 S * 4/2016 Toh D9/449
 D759,495 S 6/2016 Hawry
 D773,306 S * 12/2016 Toh D9/449
 D774,396 S * 12/2016 Toh D9/449
 D776,539 S * 1/2017 Jin D9/449
 9,623,200 B2 4/2017 Holakovsky et al.
 2002/0030116 A1 3/2002 Brown
 2009/0110576 A1 4/2009 Brouwer et al.
 2010/0059550 A1 3/2010 Ciavarella et al.
 2012/0006854 A1 1/2012 Carta
 2012/0104048 A1 5/2012 Tseng
 2012/0125948 A1 5/2012 Son et al.
 2016/0136667 A1 5/2016 Carse et al.

FOREIGN PATENT DOCUMENTS

EP 2127580 12/2009
 GB 2432823 6/2008
 JP 5094150 12/1993
 JP 6032380 2/1994
 JP 6048466 2/1994
 JP 6127579 5/1994
 JP 6135474 5/1994
 JP 3009099 3/1995
 JP 08011960 1/1996
 JP 09512474 12/1997
 JP 2563325 2/1998
 JP 2575244 6/1998
 JP 2577412 7/1998
 JP 3062495 8/1998
 JP 2587885 12/1998
 JP 11091824 4/1999
 JP 11292171 10/1999
 JP 2000185768 7/2000
 JP 2000211671 8/2000

JP 2001072151 3/2001
 JP 2001294268 10/2001
 JP 2001335087 12/2001
 JP 2001341780 12/2001
 JP 3084981 4/2002
 JP 2002104546 4/2002
 JP 2002240856 8/2002
 JP 2003012067 1/2003
 JP 2003171230 6/2003
 JP 2003292073 10/2003
 JP 3111398 7/2005
 JP 3826964 9/2006
 JP 3859891 12/2006
 JP 3966957 8/2007
 JP 3973896 9/2007
 JP 4094159 6/2008
 JP 4108831 6/2008
 JP 2008213932 9/2008
 JP 2008296923 12/2008
 JP 4250037 4/2009
 JP 2009173327 8/2009
 JP 2010500245 1/2010
 JP 2010095276 4/2010
 JP 2010095277 4/2010
 JP 2010095278 4/2010
 JP 3165984 2/2011
 JP 2012076036 4/2012
 JP 5087336 12/2012
 JP 5097004 12/2012
 JP 5127417 1/2013
 JP 5128476 1/2013
 JP 20133500907 1/2013
 JP 5142015 2/2013
 JP 5160964 3/2013
 JP 5257926 8/2013
 JP 5285918 9/2013
 JP 5307600 10/2013
 JP 5386733 1/2014
 JP 2014036707 2/2014
 JP 2014080239 5/2014
 JP 2014101142 6/2014
 JP 2014105003 6/2014
 JP 5599772 10/2014
 JP 5610782 10/2014
 JP 2014196130 10/2014
 JP 2014227197 12/2014
 JP 2014231362 12/2014
 JP 5650502 1/2015
 JP 2015040065 3/2015
 JP 2015044611 3/2015
 WO WO2010025392 3/2010
 WO WO2013103589 7/2013
 WO WO2014050373 4/2014

OTHER PUBLICATIONS

Unilever Caress Body Wash, [online], [site visited Aug. 26, 2017]. Available from Internet, URL:<http://www.viewpoints.com/Unilever-Caress-Body-Wash-Exotic-Oil-Infusion-Moroccan-reviews>.*
 Retrieved from internet: www.radox.co.uk/product/category/929053/radox-shower-feel-fresh.
 Radox and Sunlight.
 Co-pending application Lalier et al., U.S. Appl. No. 29/588,753, filed Dec. 22, 2016.
 Co-pending application Cesare et al., U.S. Appl. No. 29/588,742, filed Dec. 22, 2016.
 English translation of Opposition in A00201701618, Nov. 28, 2017.
 Indonesian Reg No. IDD0000038324; PT. Barclay Products (ID), Bottle, Directorate General of Intellectual Property, 2013, pp. 1-2, Application No. A00201302928; Receipt Date: Aug. 23, 2013; Announcement Date: Nov. 12, 2013; Enrollment Date: Sep. 3, 2014; Ownership Date: Aug. 23, 2013.
 Indonesian Reg No. IDD0000038325; PT. Barclay Products (ID), Bottle, Directorate General of Intellectual Property, 2013, pp. 1-2,

(56)

References Cited

OTHER PUBLICATIONS

Application No. A00201302929, Receipt Date: Aug. 23, 2013, Announcement Date: Nov. 12, 2013; Enrollment Date: Sep. 3, 2014; Ownership Date: Aug. 23, 2013.

Airless pouch dispenser, Lablabo, PP1-2 Accessed on Aug. 11, 2017 <http://www.lablabo.com/en/product/ellipse-line/>. pp. 1 to 2.

Ellipse line of airless pouch dispensers, webpackaging.com, PP1-1 Retrieved from the internet on Aug. 23, 2017 from: <https://www.webpackaging.com/en/portals/lablabo/assets/11305613/ellipse-line-of-airless-pouch-dispensers/>. pp. 3 to 3.

What's new in Lablabo's Head?, webpackaging.com, Jun. 1, 2013, PP1-3 Retrieved from internet: <https://www.webpackaging.com/en/portals/lablabo/assets/11144278/whats-new-in-lablabos-head/>. pp. 4 to 6.

* cited by examiner

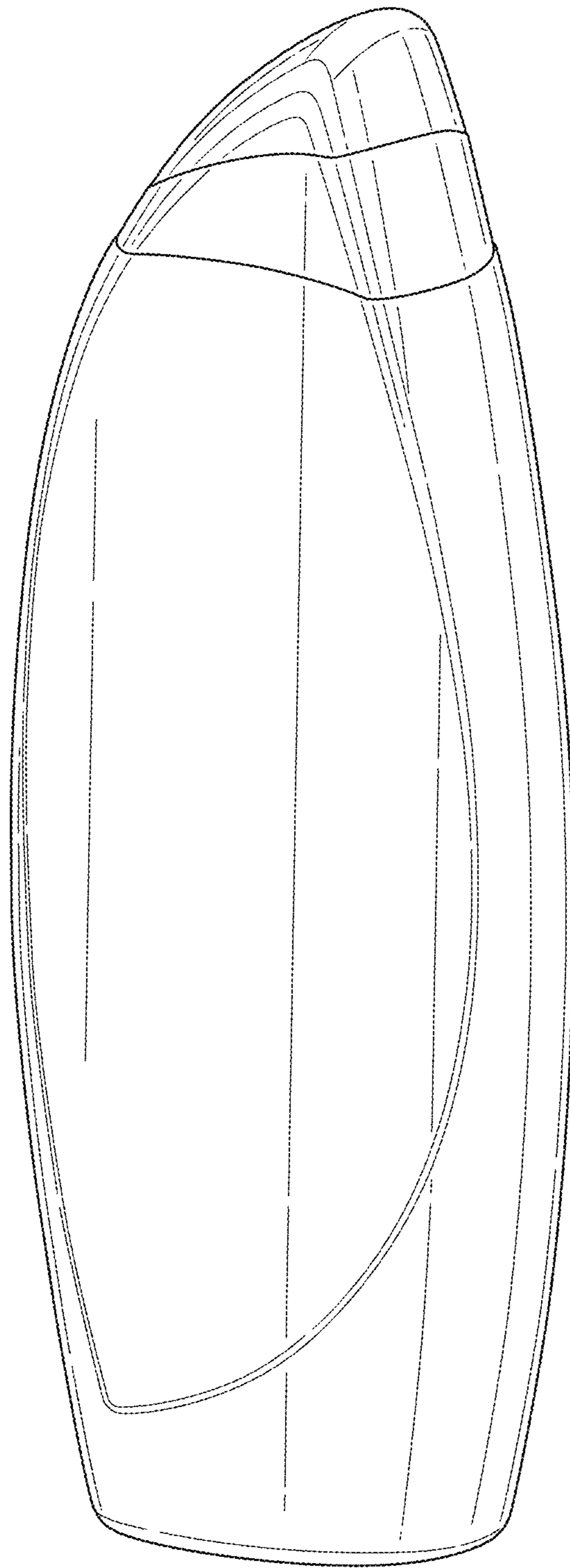


Fig. 1

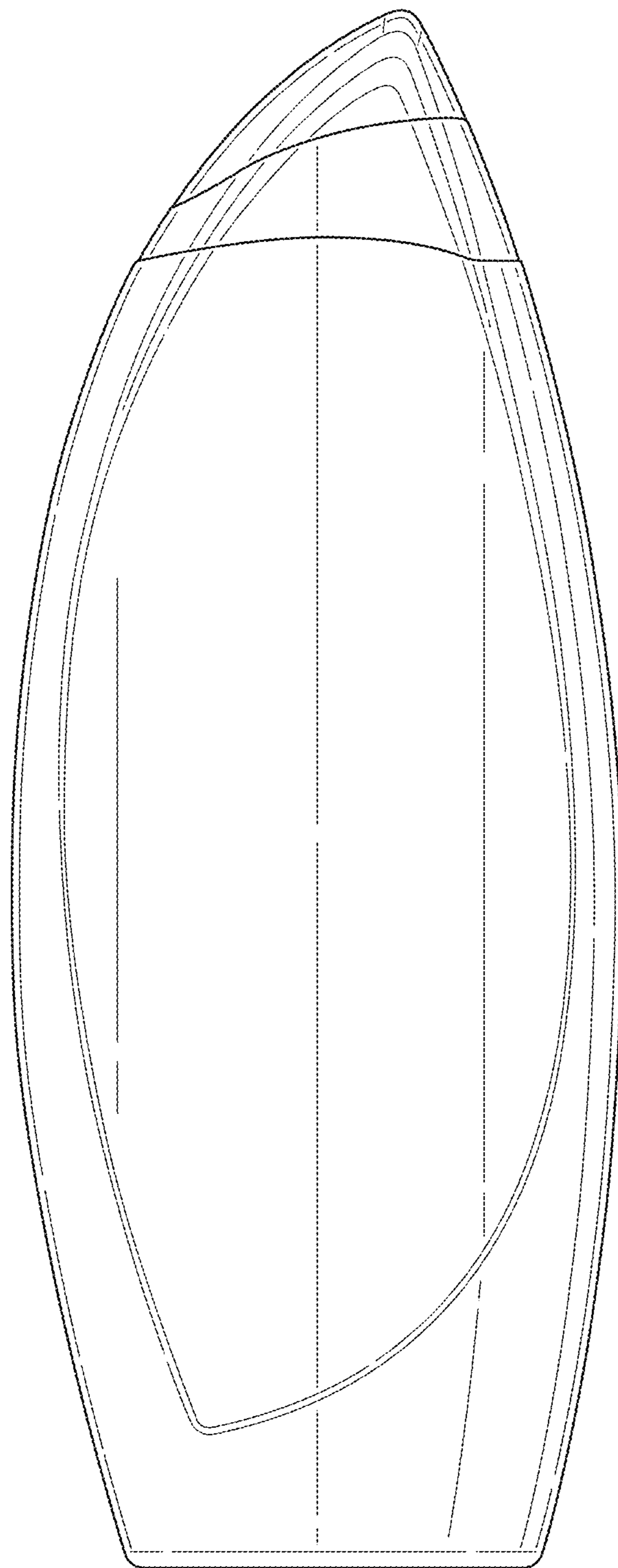


Fig. 2

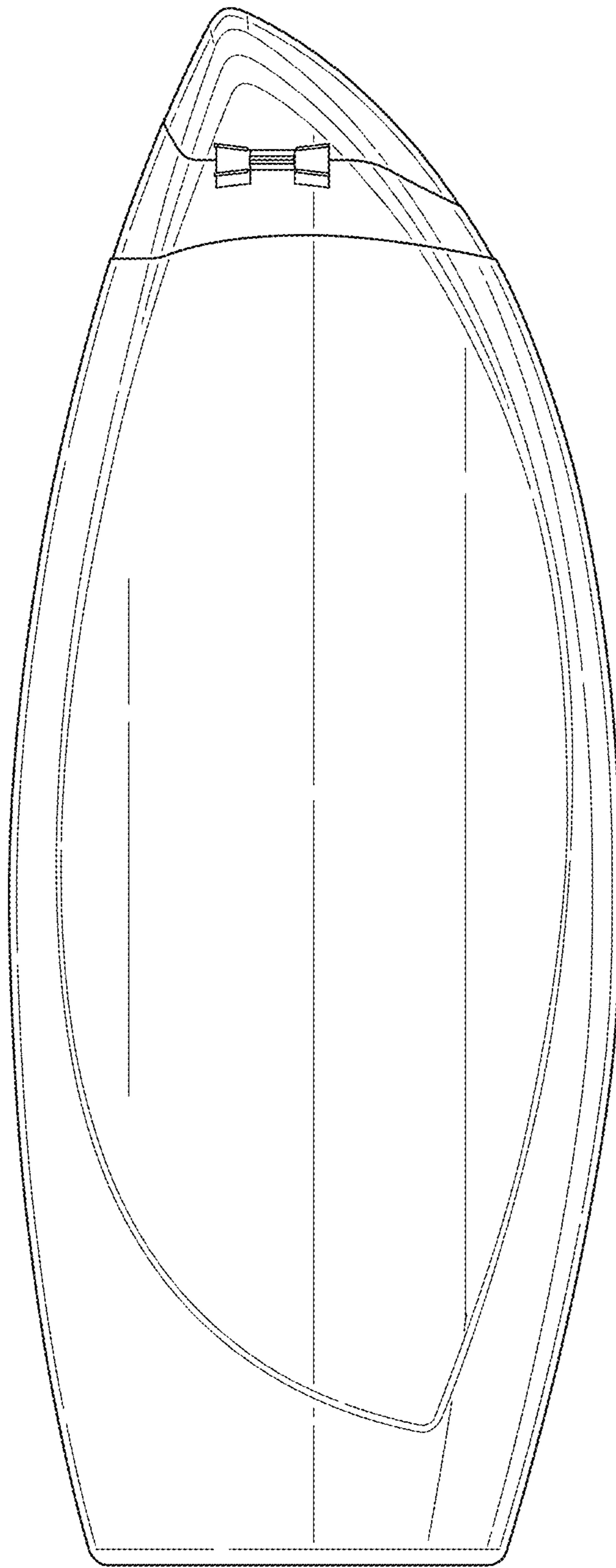


Fig. 3

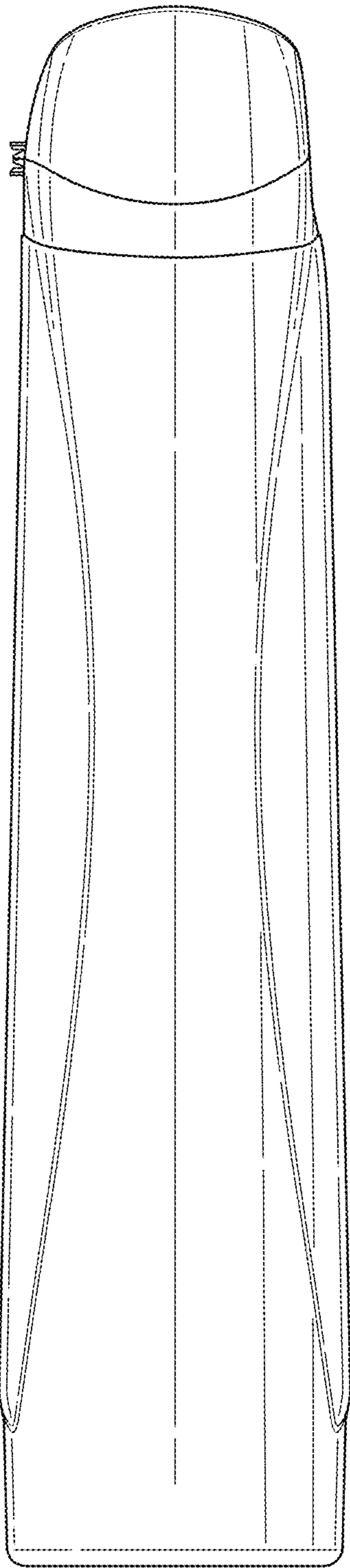


Fig. 4

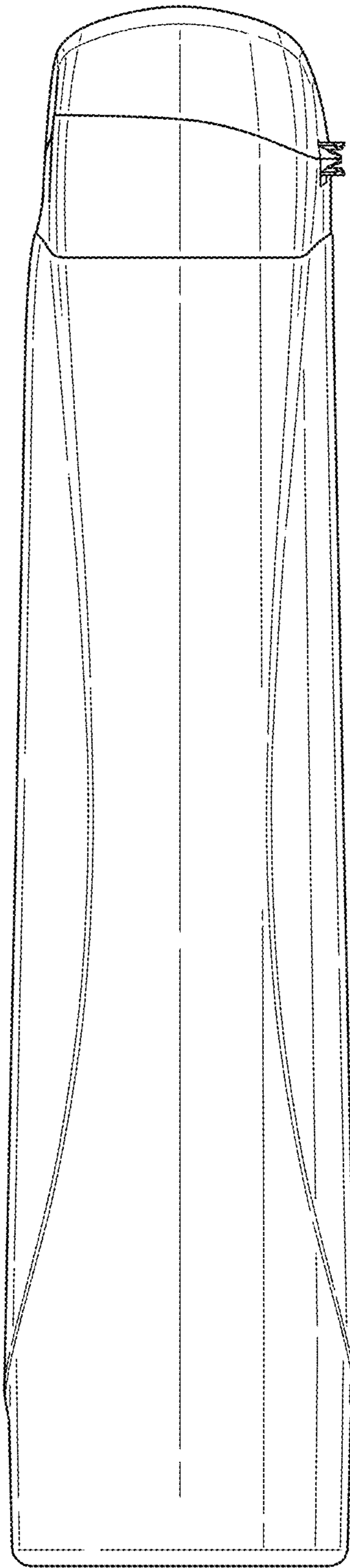


Fig. 5

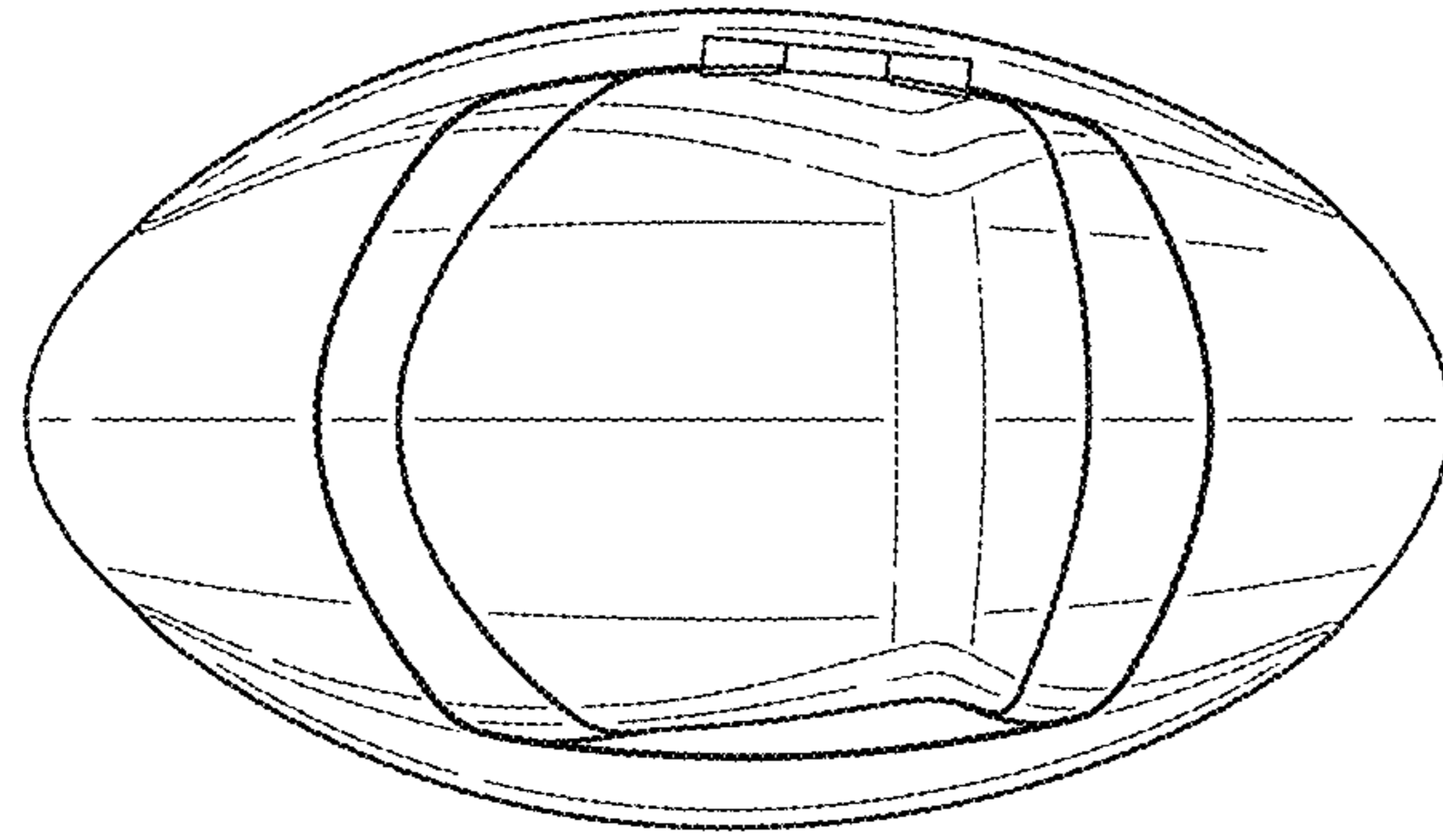


Fig. 6

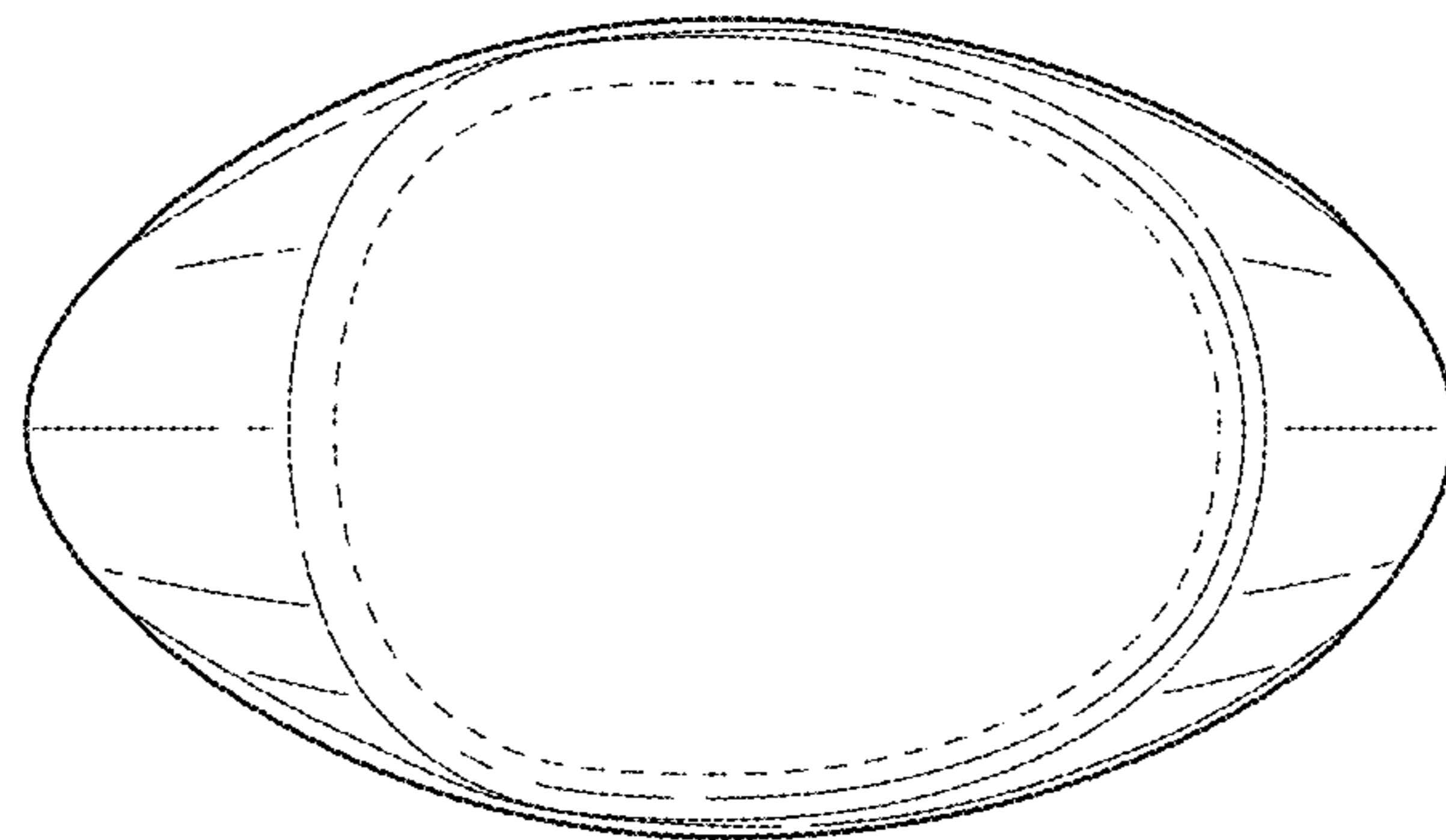


Fig. 7