



US00D826719S

(12) **United States Design Patent**  
**Tatievski**

(10) **Patent No.:** **US D826,719 S**

(45) **Date of Patent:** **\*\* Aug. 28, 2018**

(54) **CANISTER**

(71) Applicant: **Boris Tatievski**, Berlin (DE)

(72) Inventor: **Boris Tatievski**, Berlin (DE)

(\*\*) Term: **14 Years**

(21) Appl. No.: **29/489,302**

(22) Filed: **Apr. 29, 2014**

(30) **Foreign Application Priority Data**

Oct. 30, 2013	(EM)	002336057-0003
Oct. 30, 2013	(EM)	002336057-0004
Oct. 30, 2013	(EM)	002336057-0007
Oct. 30, 2013	(EM)	002336057-0008

(51) **LOC (11) Cl.** ..... **09-01**

(52) **U.S. Cl.**  
USPC ..... **D9/528; D9/531; D9/575**

(58) **Field of Classification Search**  
USPC ..... D9/516, 523, 526, 543, 547, 559, 560,  
D9/563, 565, 569, 572, 575, 737, 738,  
D9/742, 527, 528, 531; 215/381-385,  
215/396; 220/662.665  
CPC .. B65D 2501/0081; B65D 2519/00034; B65D  
1/02; B65D 1/0223  
See application file for complete search history.

(56) **References Cited**

**U.S. PATENT DOCUMENTS**

D208,823	S	*	10/1967	Lowe, III et al.	.....	D9/520
D325,522	S	*	4/1992	Brochenin	.....	D9/523
D408,286	S	*	4/1999	Rego Garcia De Alba	...	D7/511
D413,515	S	*	9/1999	Skolnicki	.....	D9/520
D435,452	S	*	12/2000	Giugiaro	.....	D9/528
D448,285	S	*	9/2001	Palm	.....	D9/523
D485,187	S	*	1/2004	Stinedurf	.....	D9/523
D507,488	S	*	7/2005	Golding	.....	D9/528
D536,983	S	*	2/2007	Robinson	.....	D9/528
D582,289	S	*	12/2008	Kissinger	.....	D9/543
D585,748	S	*	2/2009	Flanagan-Kent	.....	D9/516

D595,586	S	*	7/2009	Kissinger	.....	D9/528
D605,048	S	*	12/2009	Smith, III	.....	D9/523
D610,462	S	*	2/2010	Weber	.....	D9/528
D626,846	S	*	11/2010	Schlies	.....	D9/528

(Continued)

**OTHER PUBLICATIONS**

Office Action dated Sep. 28, 2015 from U.S. Appl. No. 29/489,296, filed Apr. 29, 2014.

(Continued)

*Primary Examiner* — Ian Simmons

*Assistant Examiner* — Keith Frank

(74) *Attorney, Agent, or Firm* — Sunstone IP

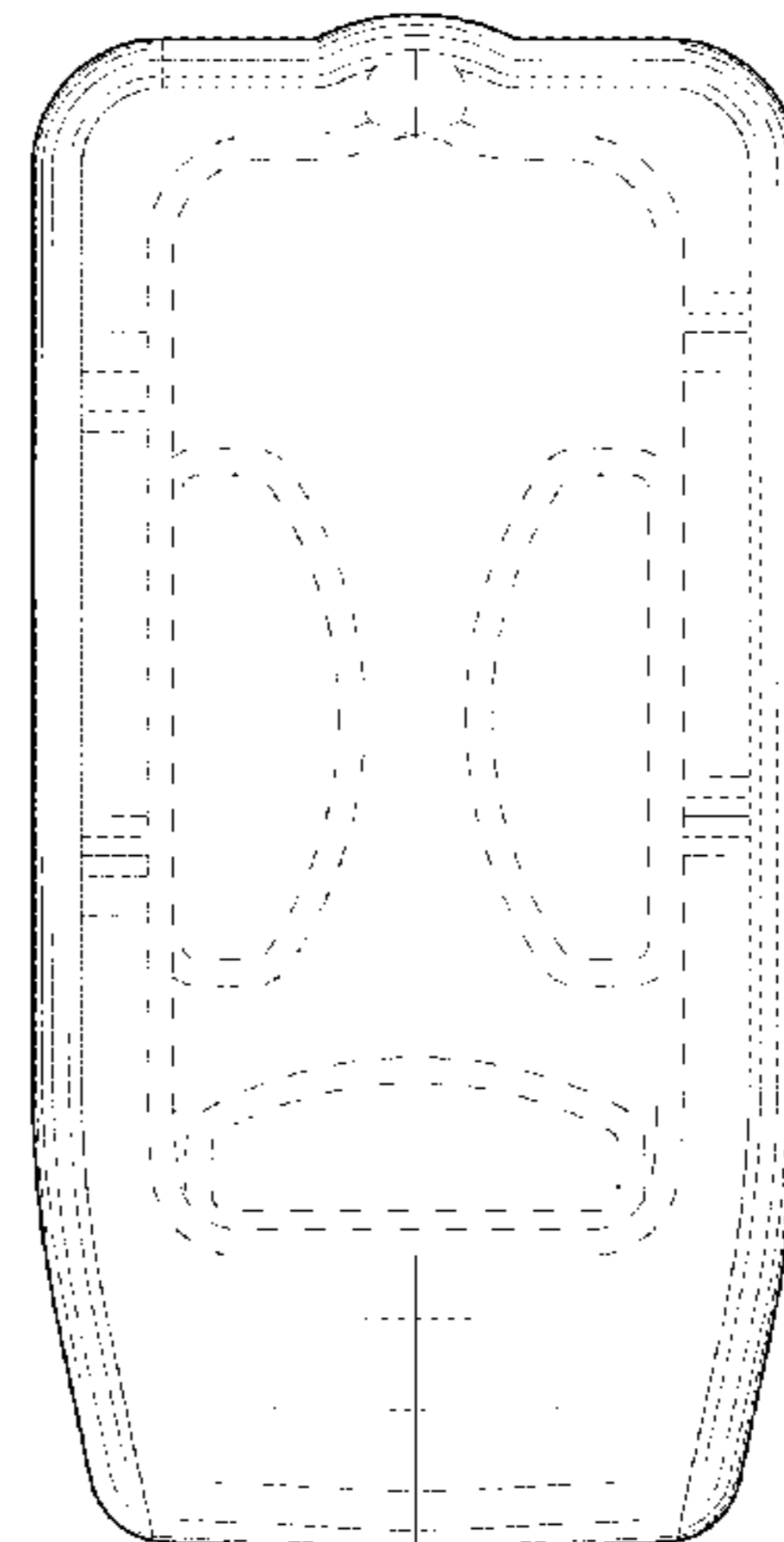
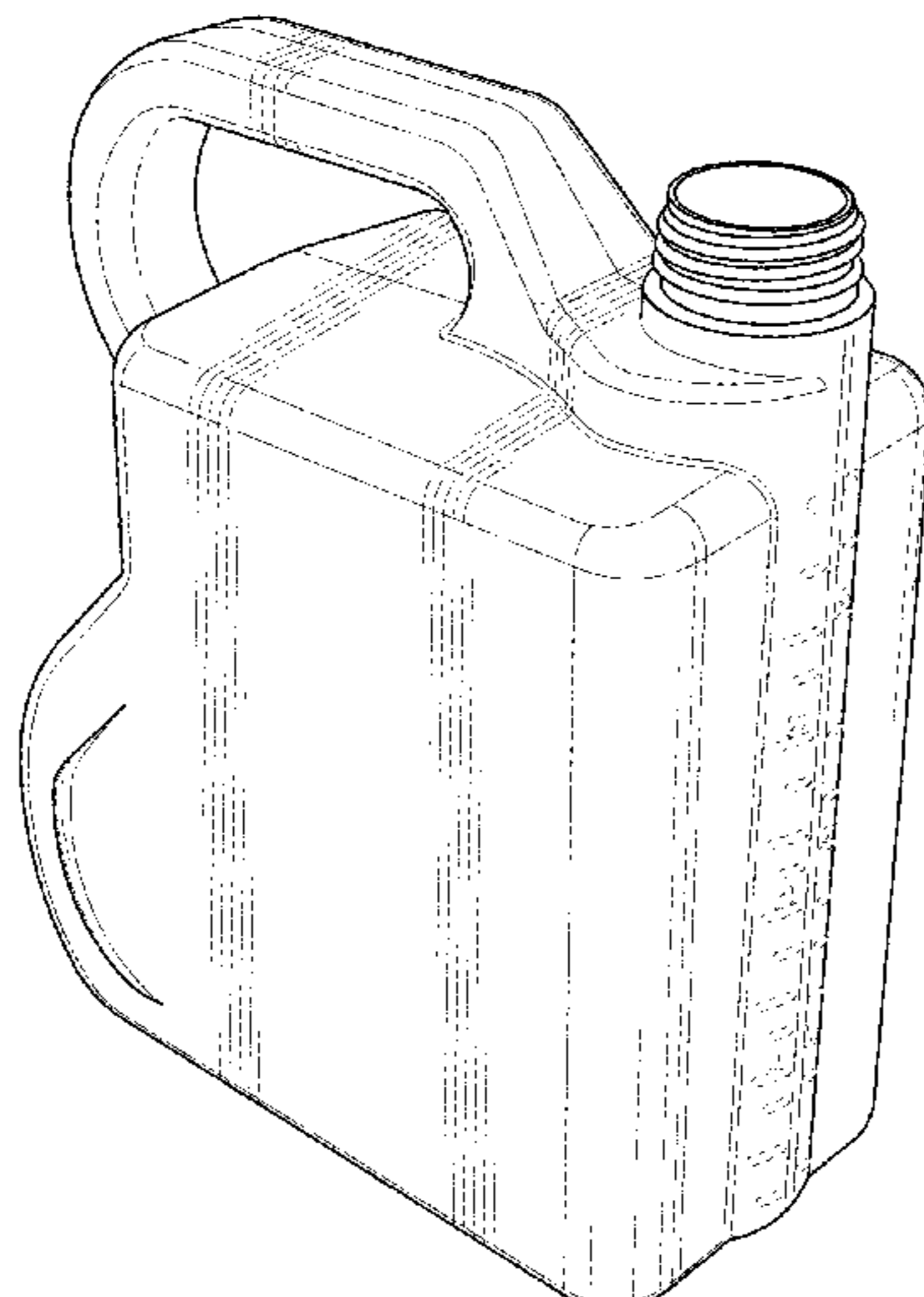
(57) **CLAIM**

The ornamental design for a canister, as shown and described.

**DESCRIPTION**

FIG. 1 is a perspective view of the first embodiment of a canister according to my new ornamental design; FIG. 2 is a front elevational view thereof; FIG. 3 is a rear elevational view thereof; FIG. 4 is a top plan view thereof; FIG. 5 is a bottom plan view thereof; FIG. 6 is a left side elevational view thereof; FIG. 7 is another perspective view thereof; FIG. 8 is a perspective view of a second embodiment of the canister of FIG. 1; FIG. 9 is a front elevational view thereof; FIG. 10 is a rear elevational view thereof; FIG. 11 is a top plan view thereof; FIG. 12 is a bottom plan view thereof; FIG. 13 is a left side elevational view thereof; and, FIG. 14 is another perspective view thereof. The broken lines in the drawings depict portions of the canister that form no part of the claimed design.

**1 Claim, 8 Drawing Sheets**



(56)

**References Cited**

U.S. PATENT DOCUMENTS

D635,029	S	*	3/2011	Warren	.....	D9/523
D658,500	S	*	5/2012	Haupt	.....	D9/528
D669,786	S	*	10/2012	McMillian	.....	D9/523
D673,456	S	*	1/2013	Masters	.....	D9/523
D734,157	S	*	7/2015	Hawry	.....	D9/528

OTHER PUBLICATIONS

Office Action dated Jun. 3, 2016 from U.S. Appl. No. 29/489,296  
filed Apr. 29, 2014.

Office Action dated Feb. 28, 2017 from U.S. Appl. No. 29/489,296,  
filed Apr. 29, 2014.

\* cited by examiner

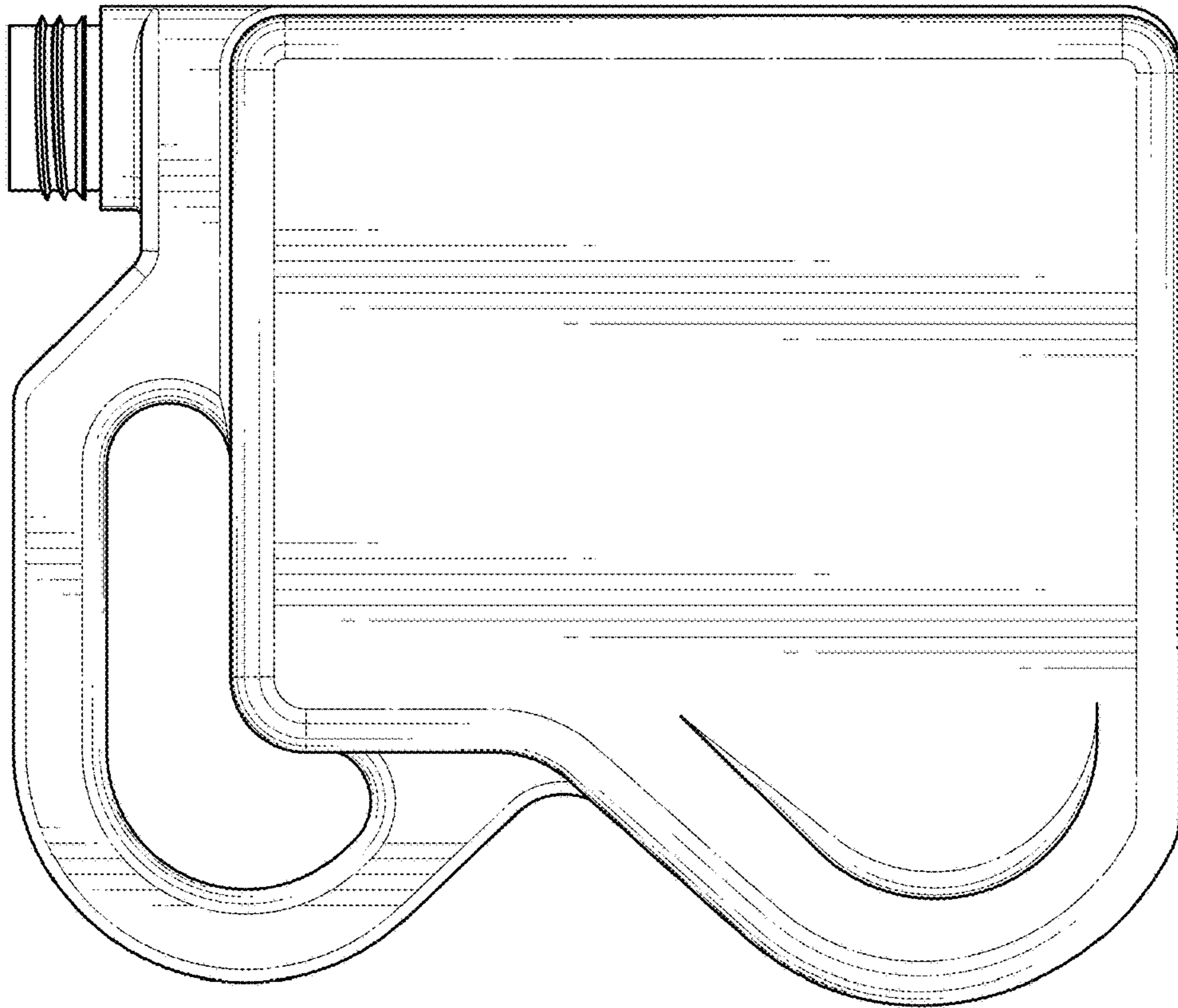


FIG. 2

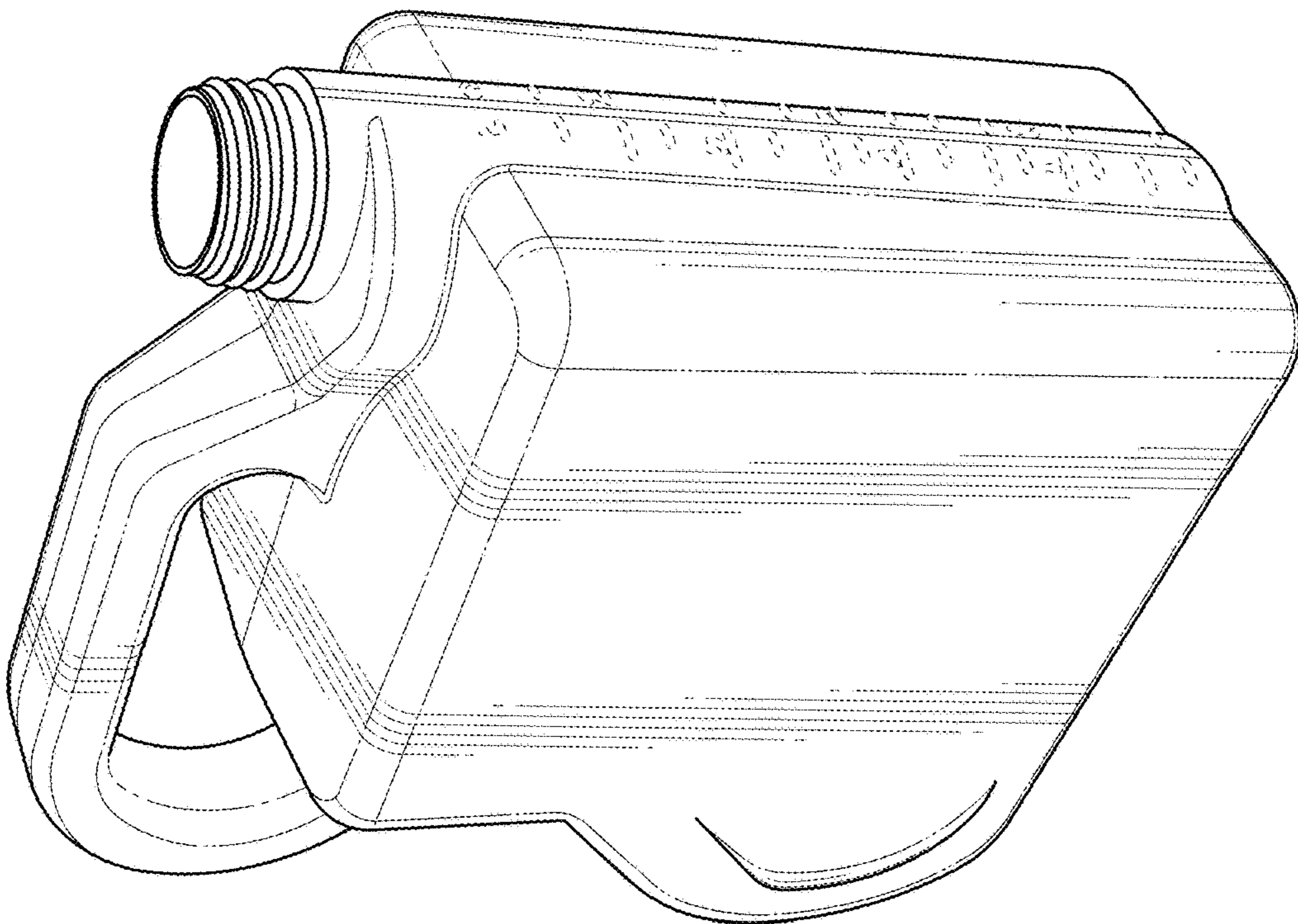


FIG. 1

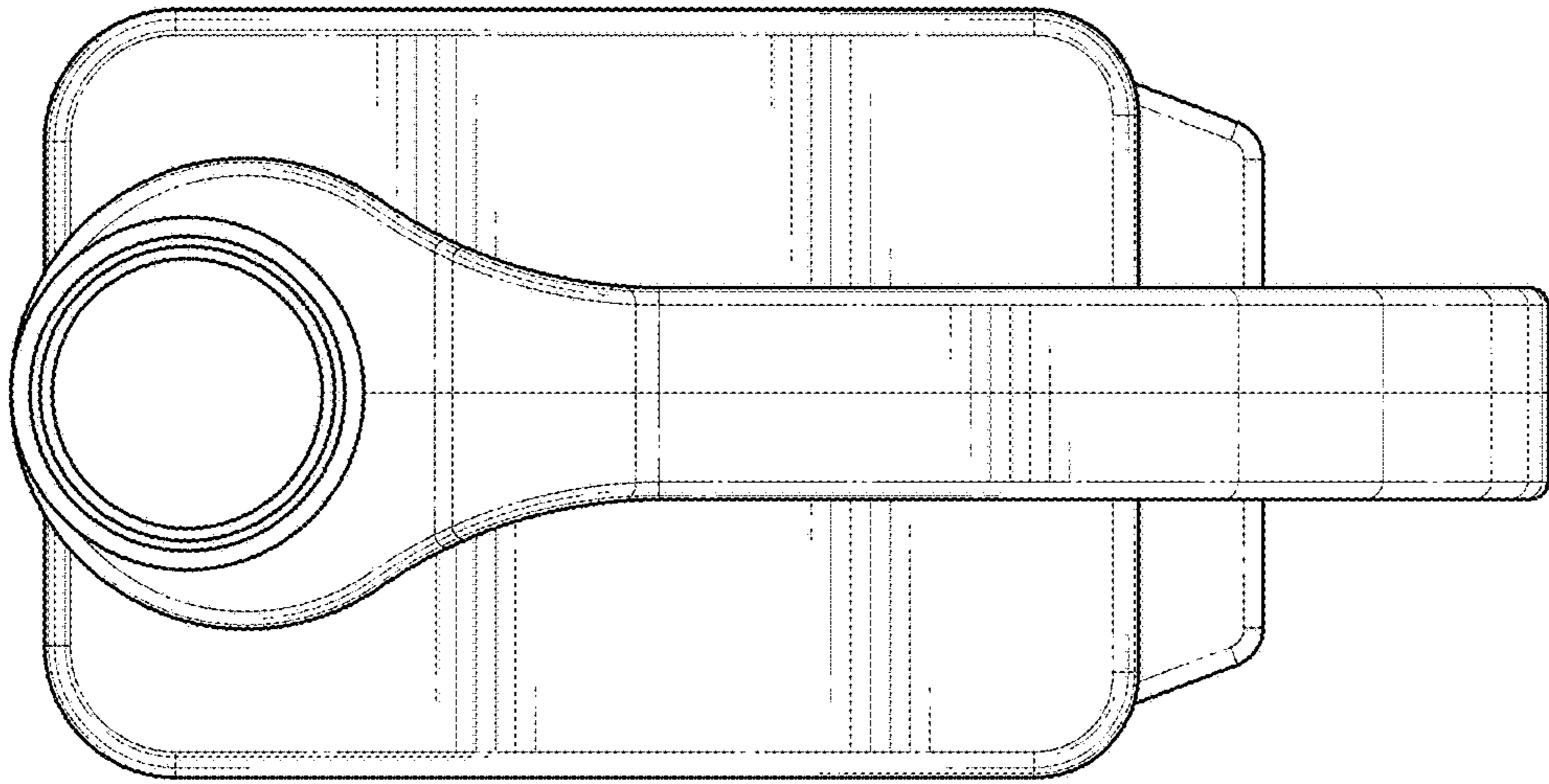


FIG. 4

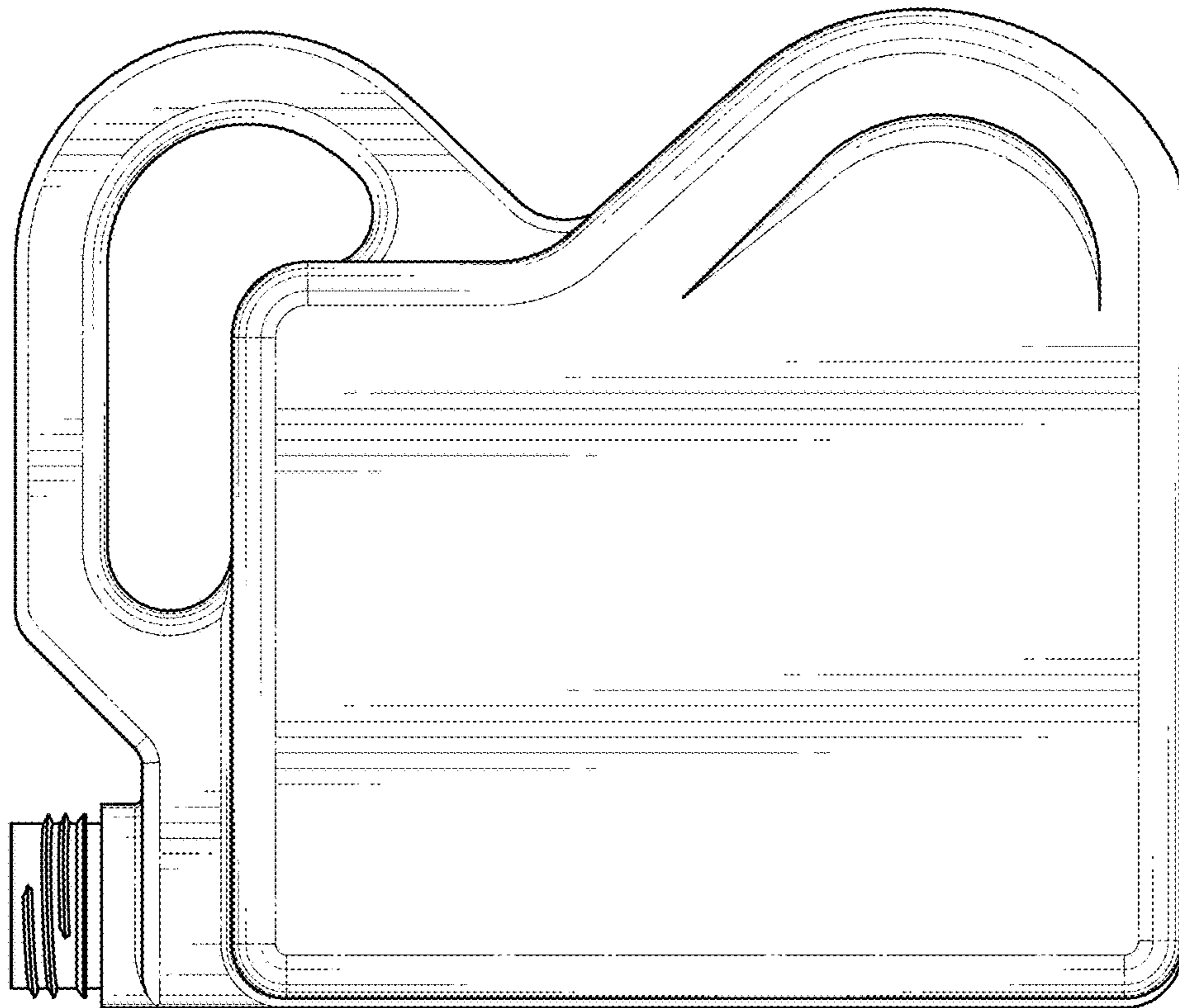


FIG. 3

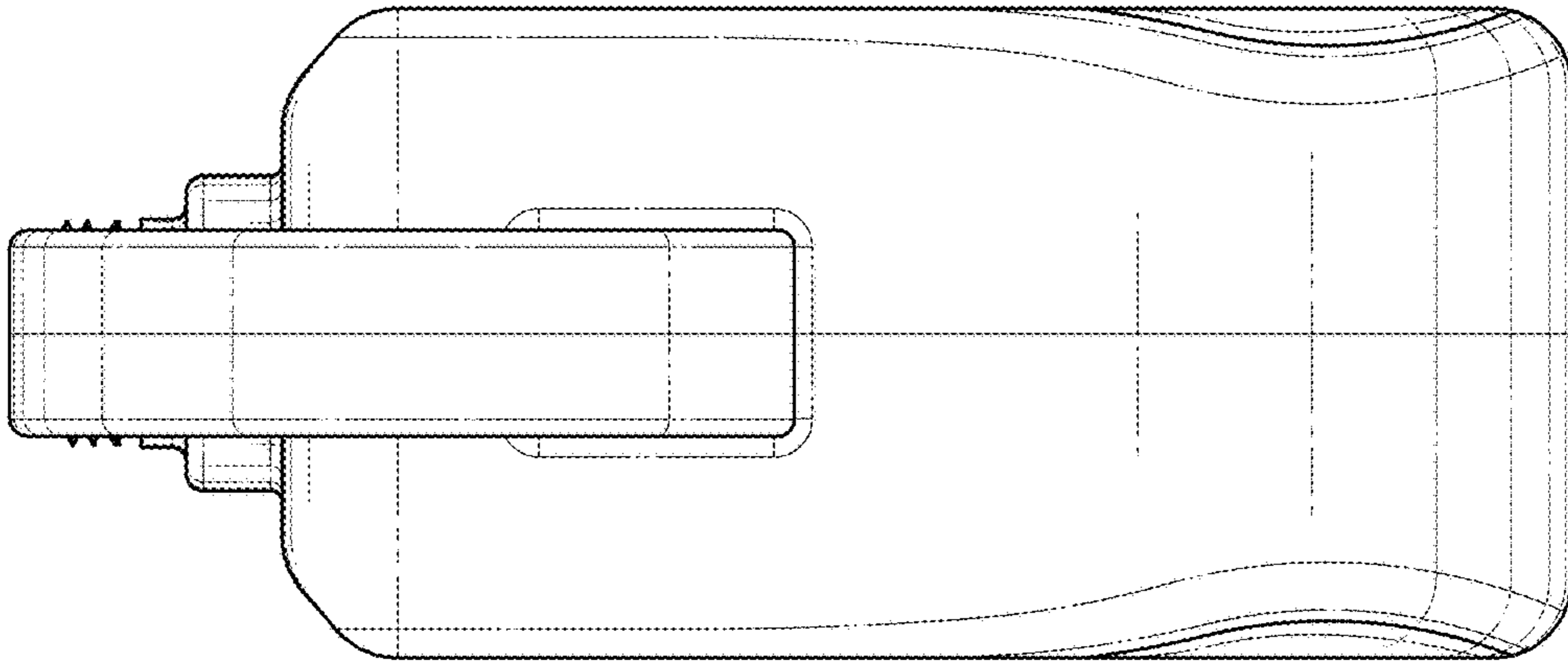


FIG. 6

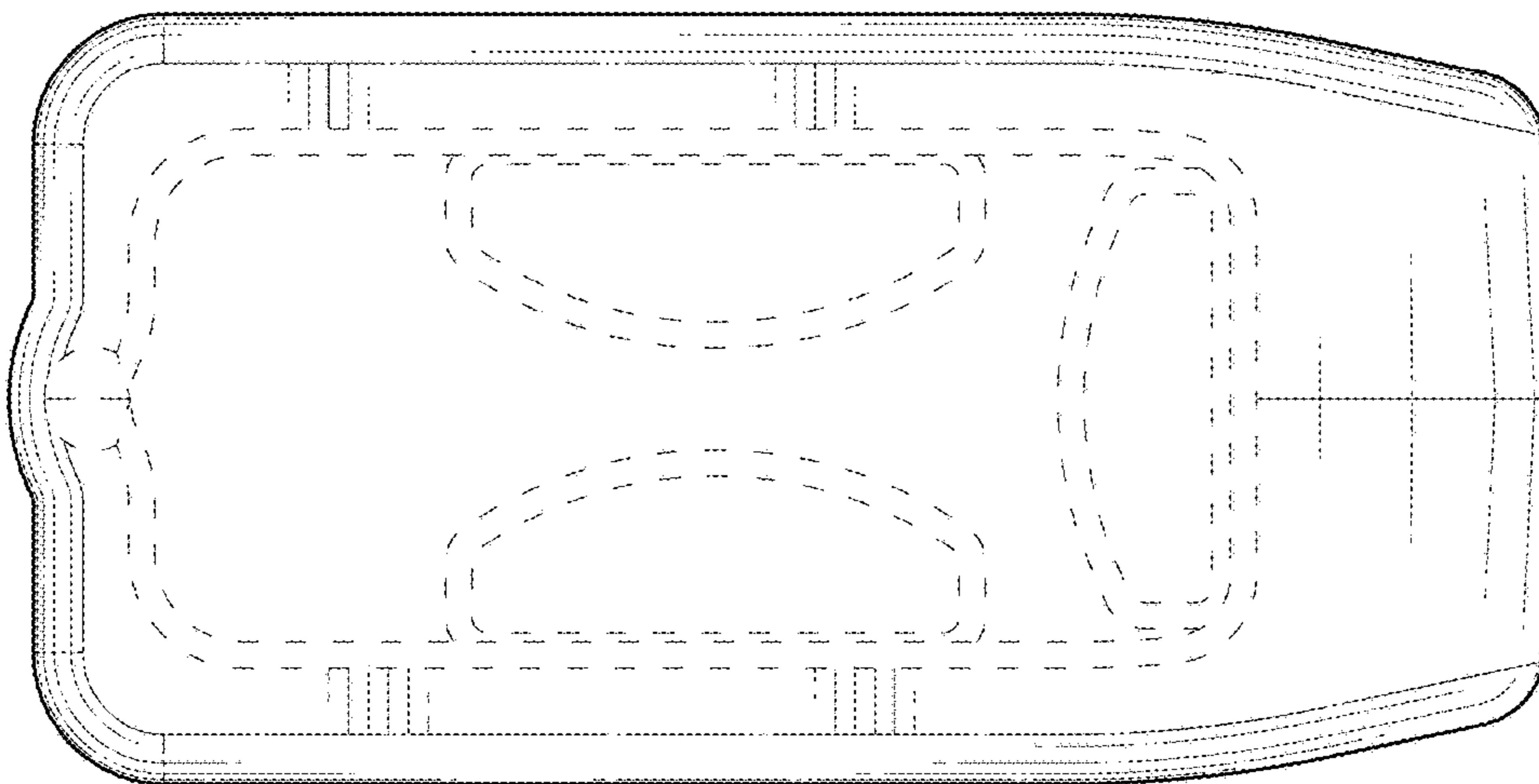


FIG. 5

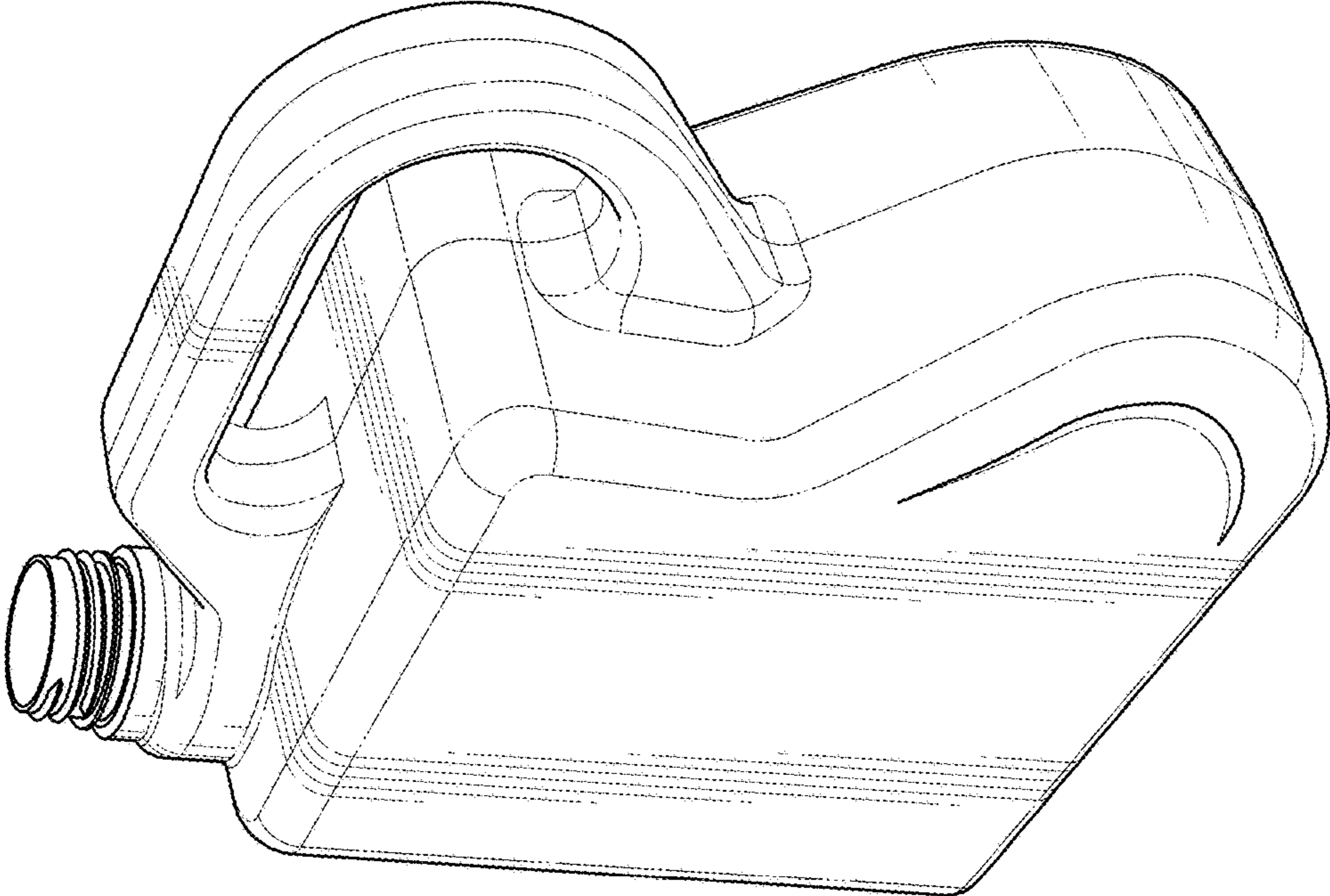


FIG. 7

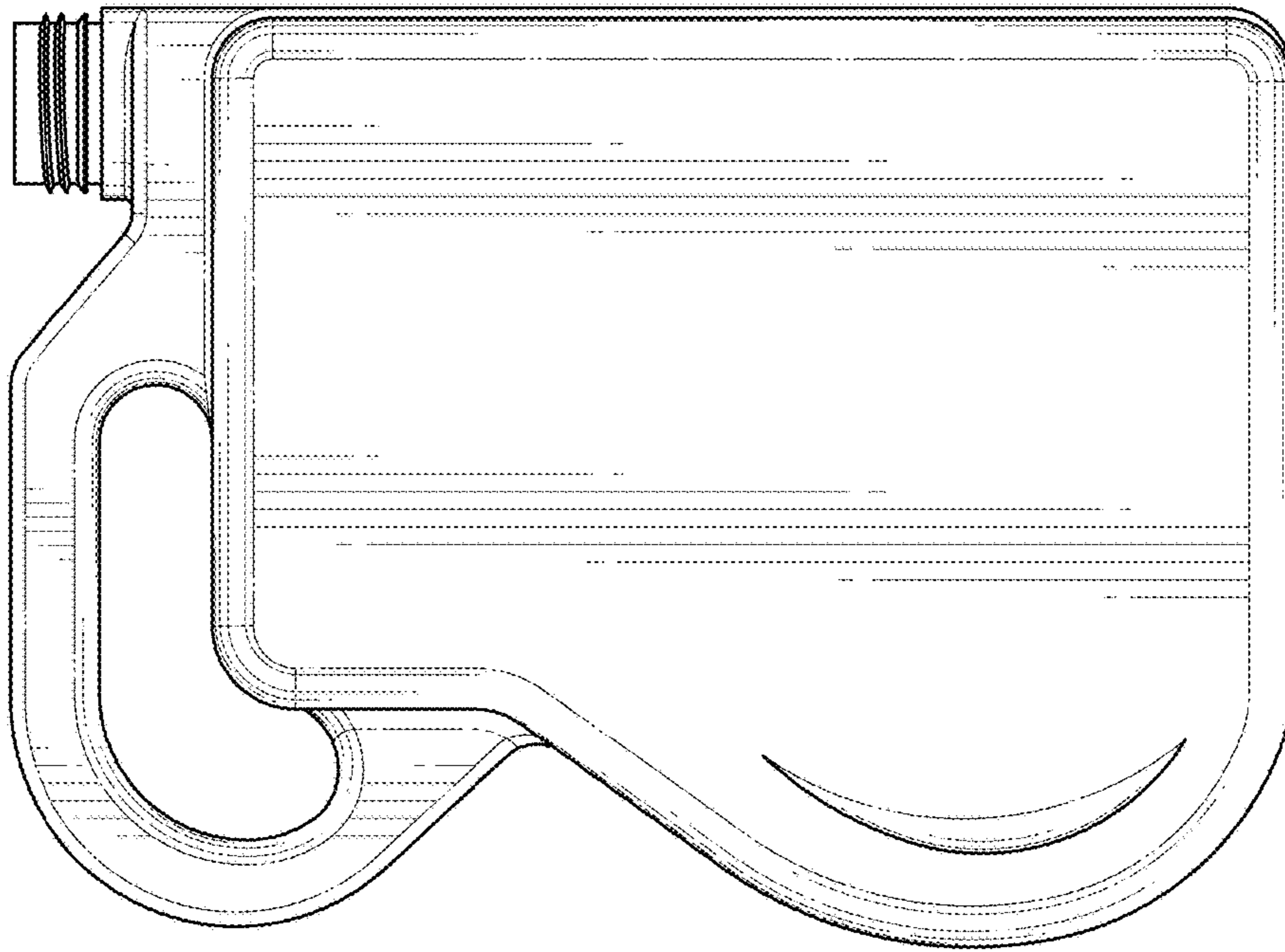


FIG. 9

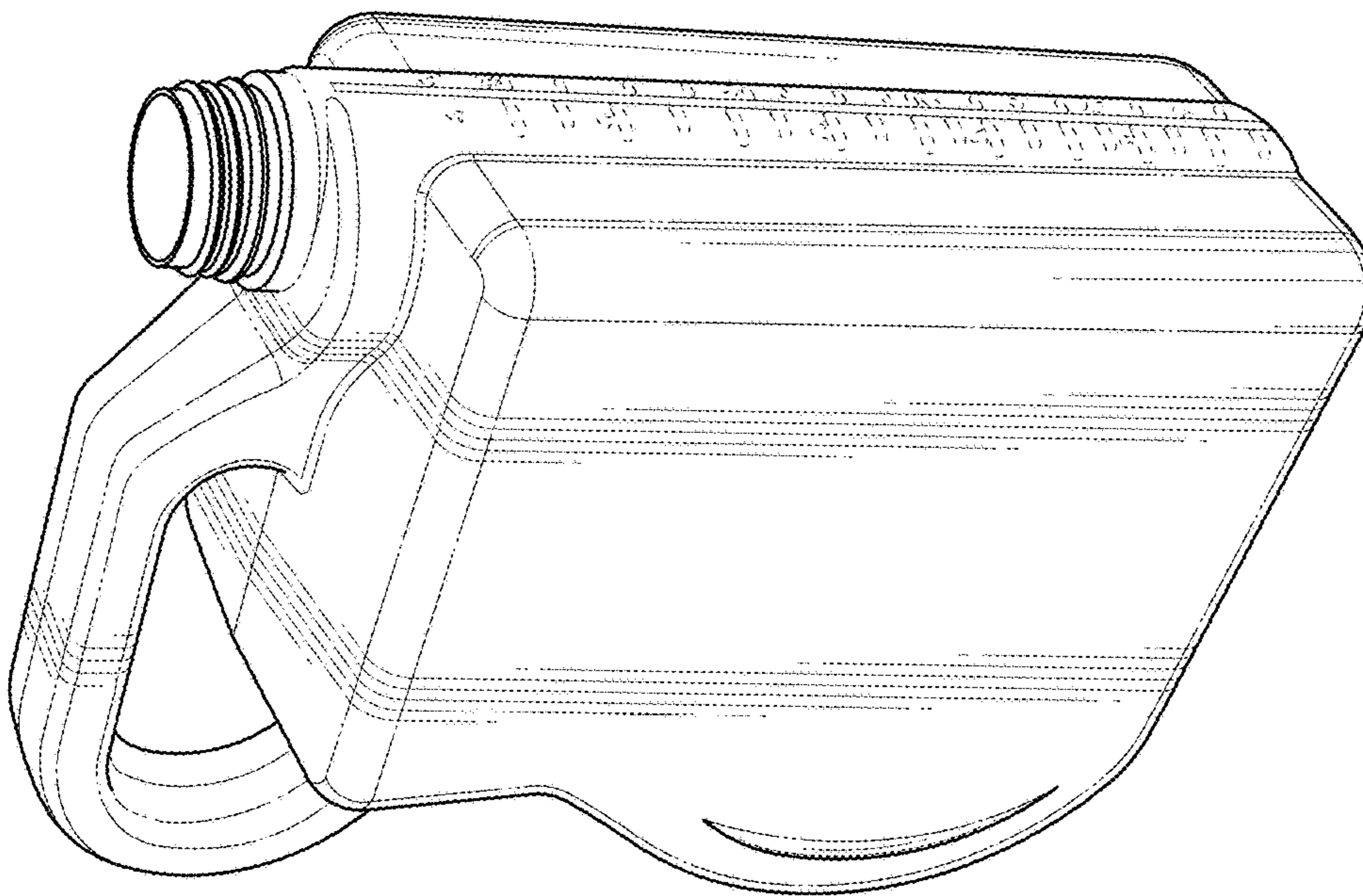


FIG. 8

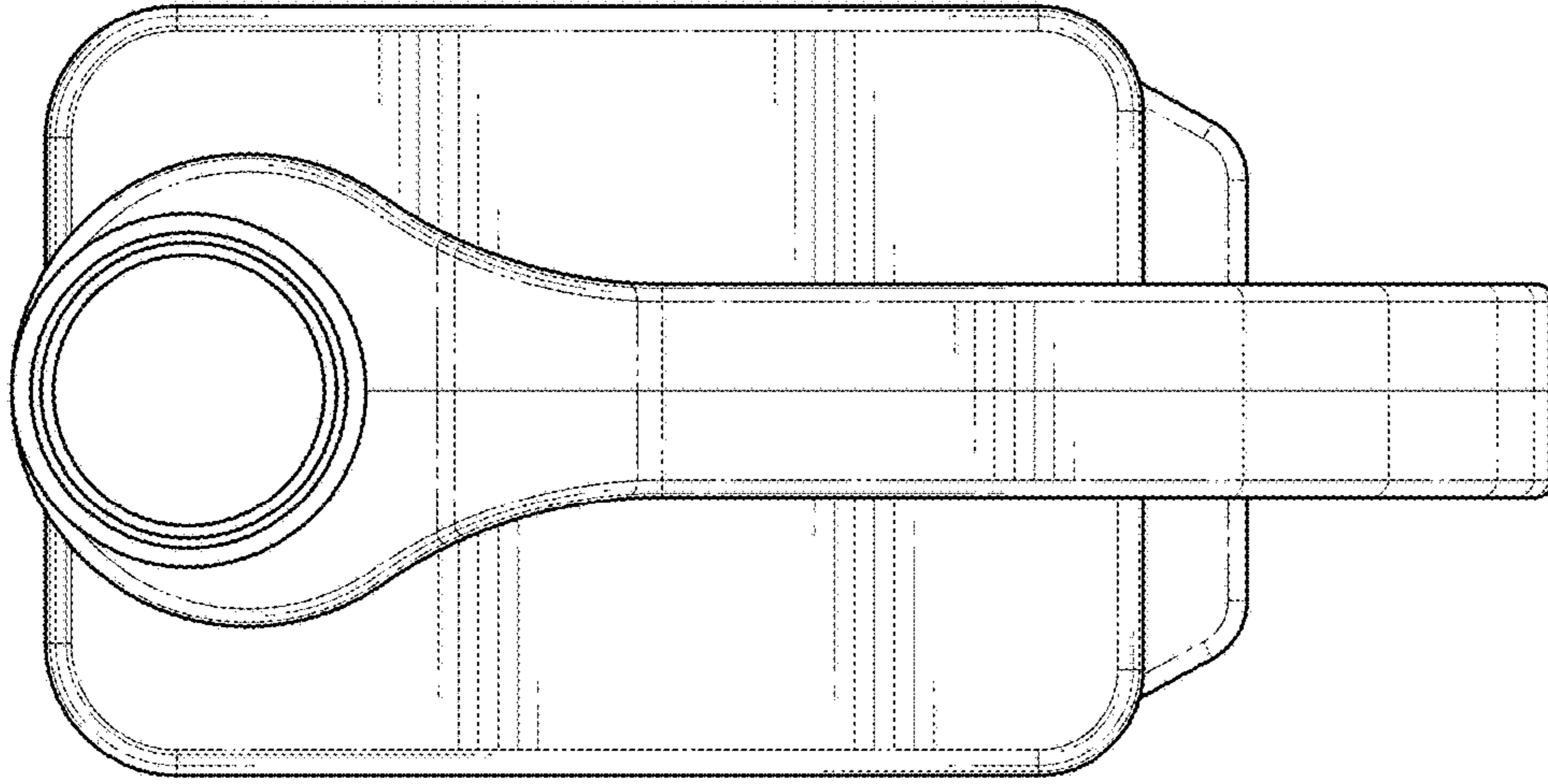


FIG. 11

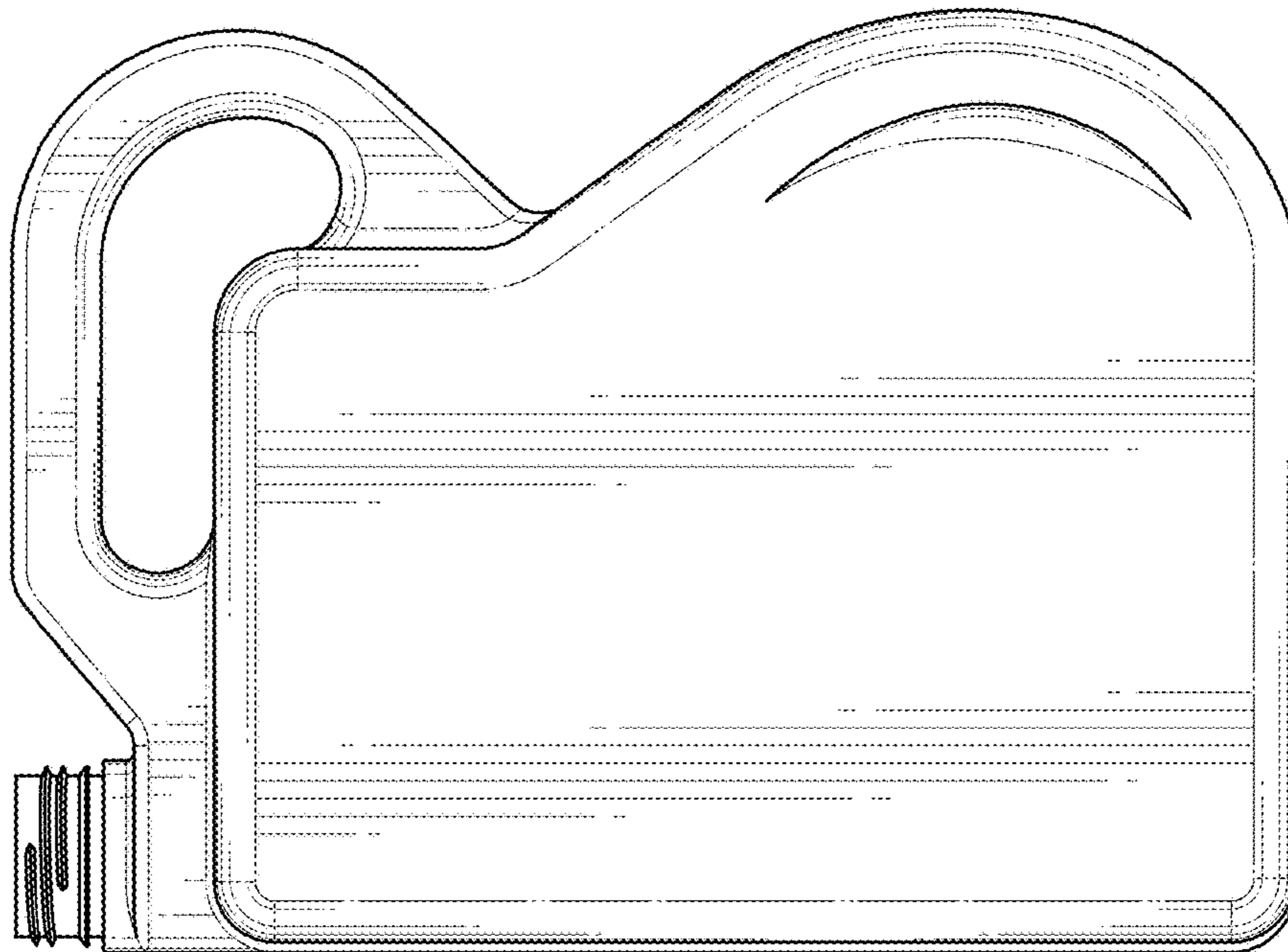


FIG. 10



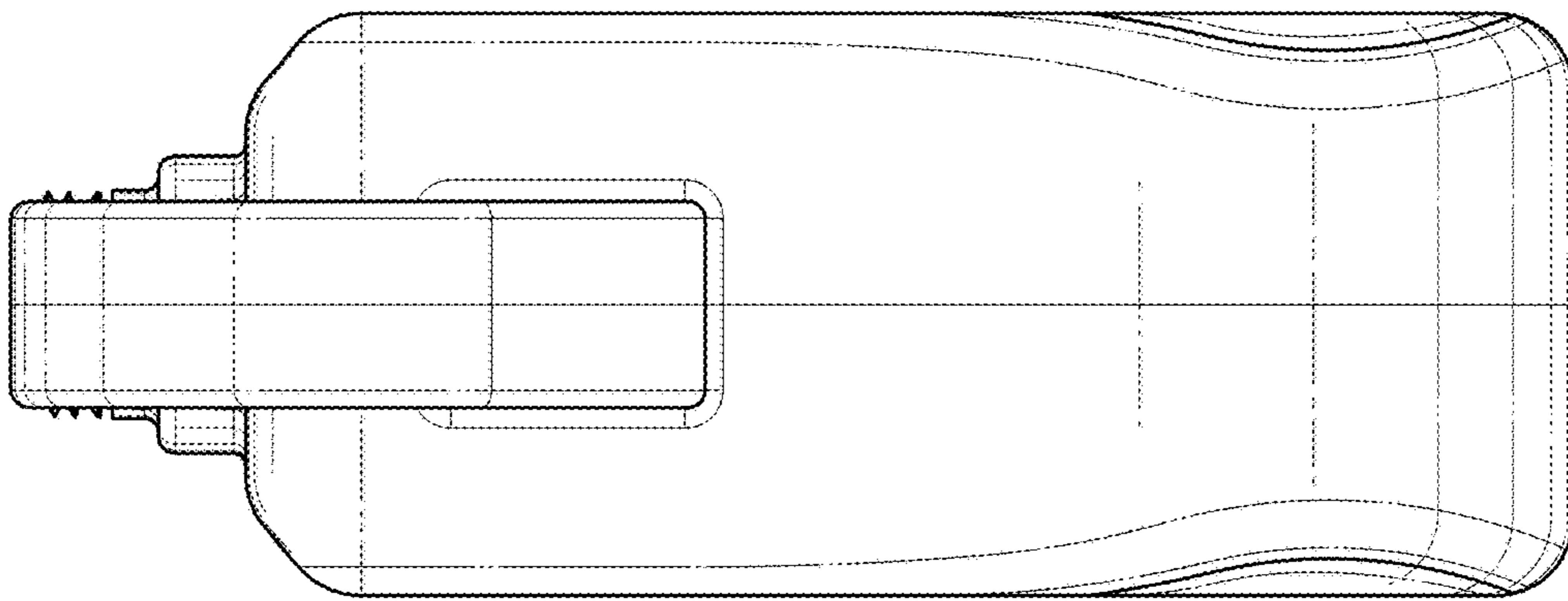


FIG. 13

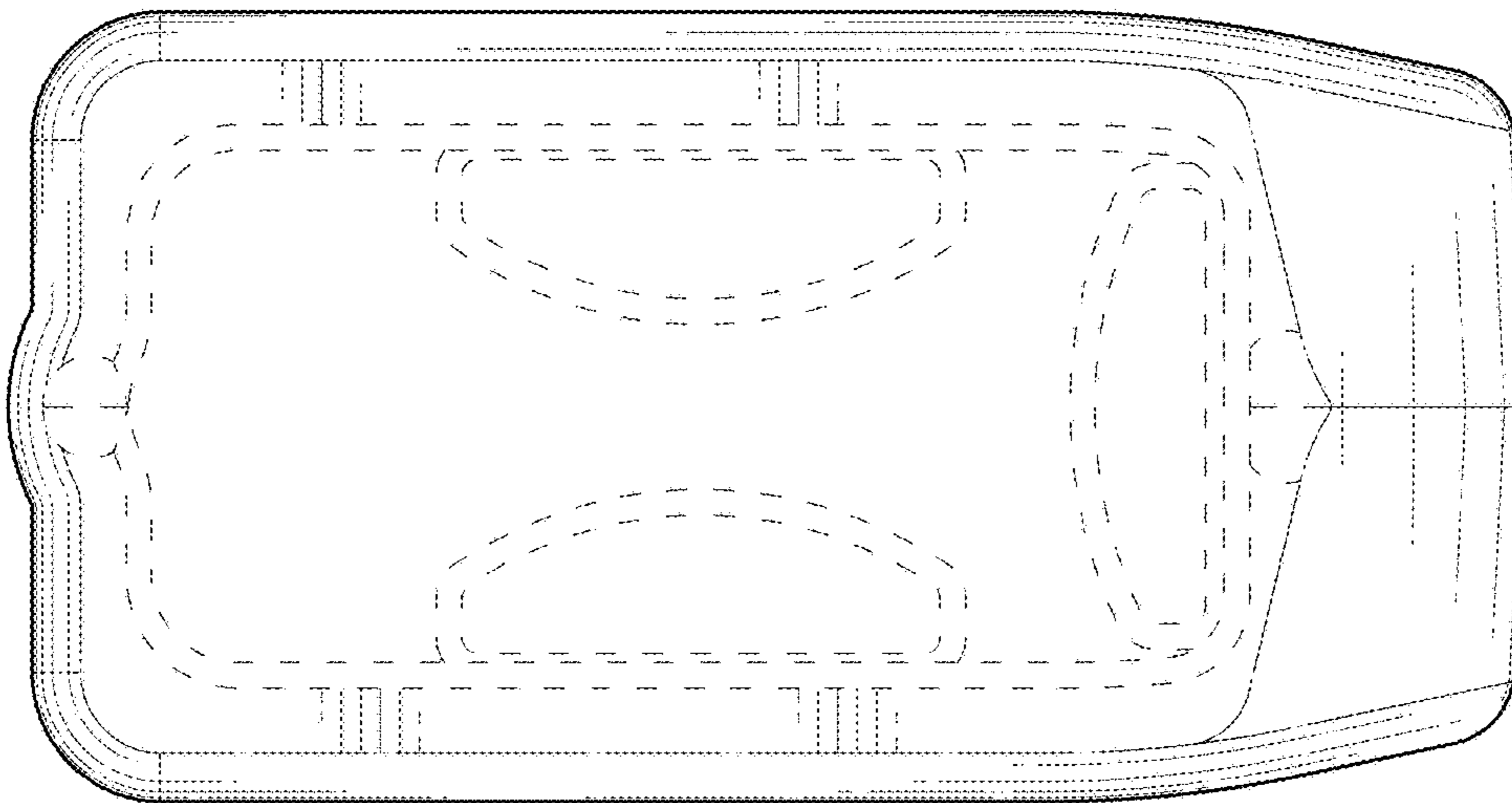


FIG. 12

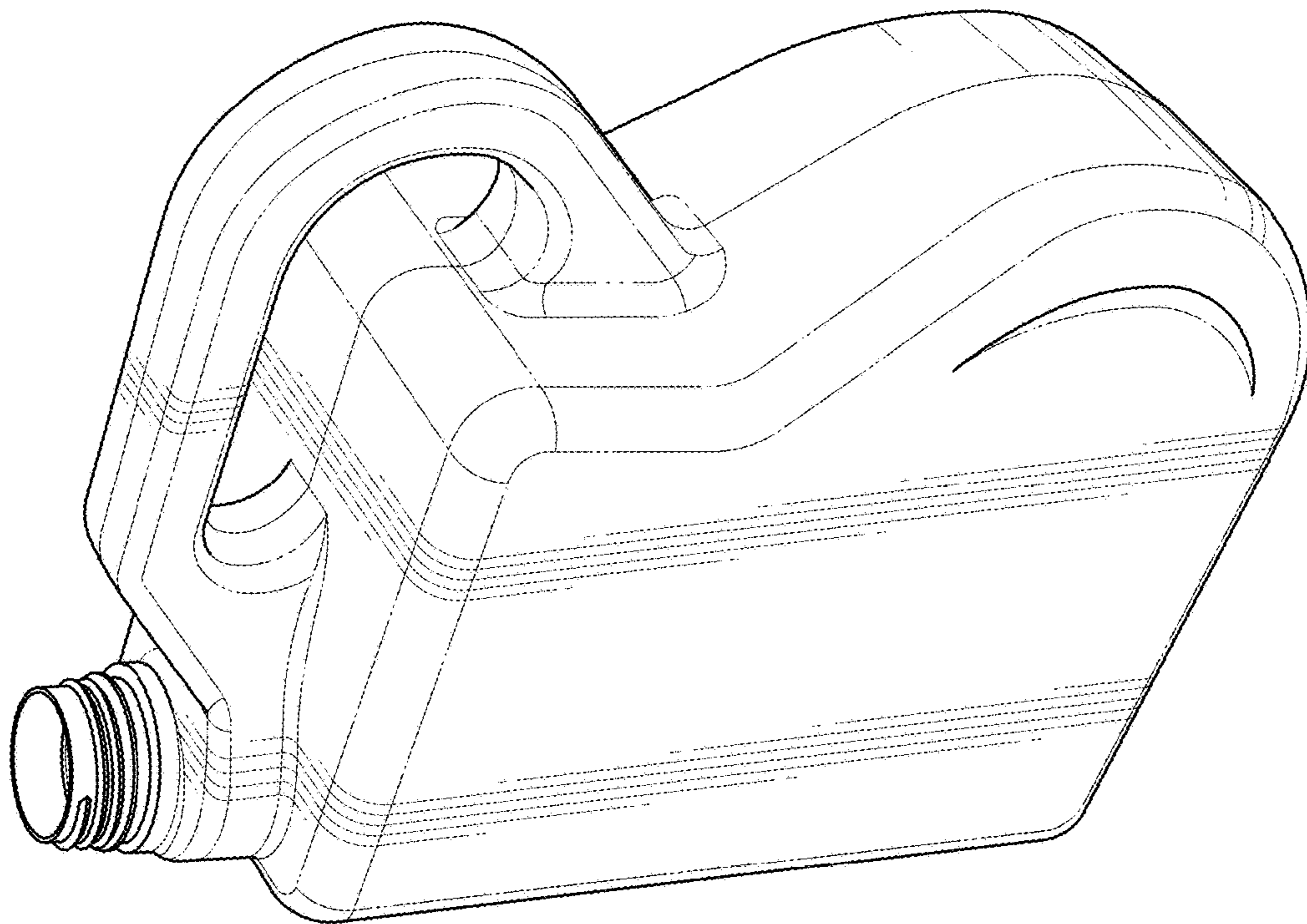


FIG. 14