



US00D826714S

(12) **United States Design Patent** (10) **Patent No.:** **US D826,714 S**  
**Pipes et al.** (45) **Date of Patent:** **\*\* Aug. 28, 2018**

(54) **PACKAGING TRAY**

- (71) Applicant: **R.J. Reynolds Tobacco Company**,  
Winston-Salem, NC (US)
- (72) Inventors: **Jerry Wayne Pipes**, Clemmons, NC  
(US); **Wesley Steven Jones**, Lexington,  
NC (US); **Steven A. Hasselbach, Jr.**,  
Winterville, NC (US)
- (73) Assignee: **RAI Strategic Holdings, Inc.**,  
Winston-Salem, NC (US)

(\*\*) Term: **15 Years**

(21) Appl. No.: **29/554,541**

(22) Filed: **Feb. 12, 2016**

(51) **LOC (11) Cl.** ..... **09-03**

(52) **U.S. Cl.**  
USPC ..... **D9/456**

(58) **Field of Classification Search**

USPC ..... D3/20, 200, 201, 271.1, 272, 273, 302,  
D3/304, 306, 309-315, 319, 901;  
D6/512, 515-525, 553, 567, 570, 571,  
D6/672; D7/311, 323, 326, 329-331,  
D7/337, 339, 346, 347, 350.1-350.4,  
D7/352-367, 387, 388, 391, 392.1, 393,  
D7/395, 401.1, 402, 407-410, 415, 500,  
(Continued)

(56) **References Cited**

**U.S. PATENT DOCUMENTS**

194,197 A 8/1877 Villaret  
2,090,530 A 8/1937 Guffy et al.  
(Continued)

**FOREIGN PATENT DOCUMENTS**

CH 180218 A 10/1935  
GB 686 870 2/1953  
(Continued)

**OTHER PUBLICATIONS**

Cigarette Packer: Announced Apr. 25, 2013 [online], site visited  
[Sep. 14, 2017]. Available from Internet URL: [https://etc.usf.edu/clipart/77600/77618/77618\\_cigarette.htm](https://etc.usf.edu/clipart/77600/77618/77618_cigarette.htm).  
(Continued)

*Primary Examiner* — Jennifer Rivard

*Assistant Examiner* — Catherine S Posthauer

(74) *Attorney, Agent, or Firm* — Womble Bond Dickinson  
(US) LLP

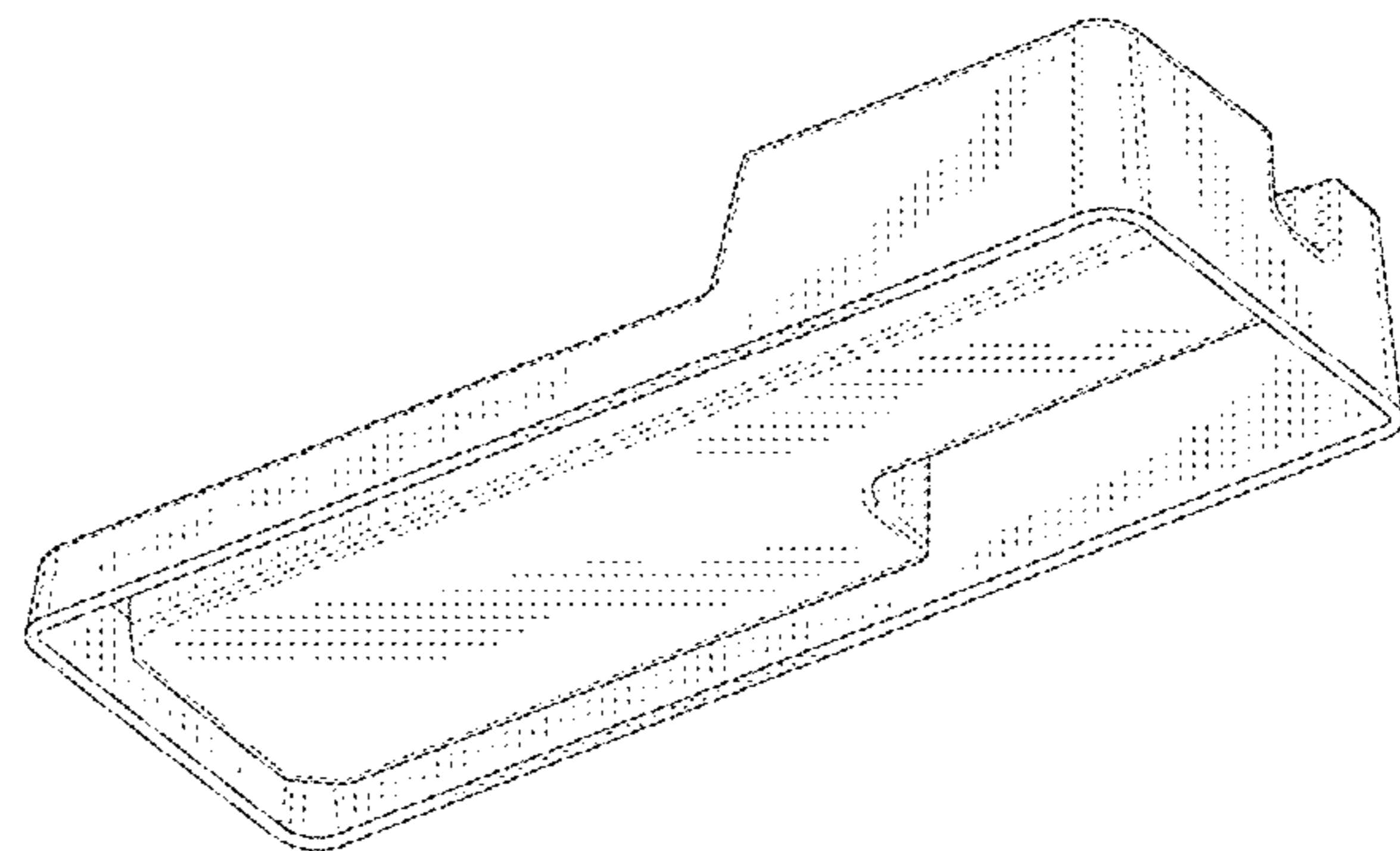
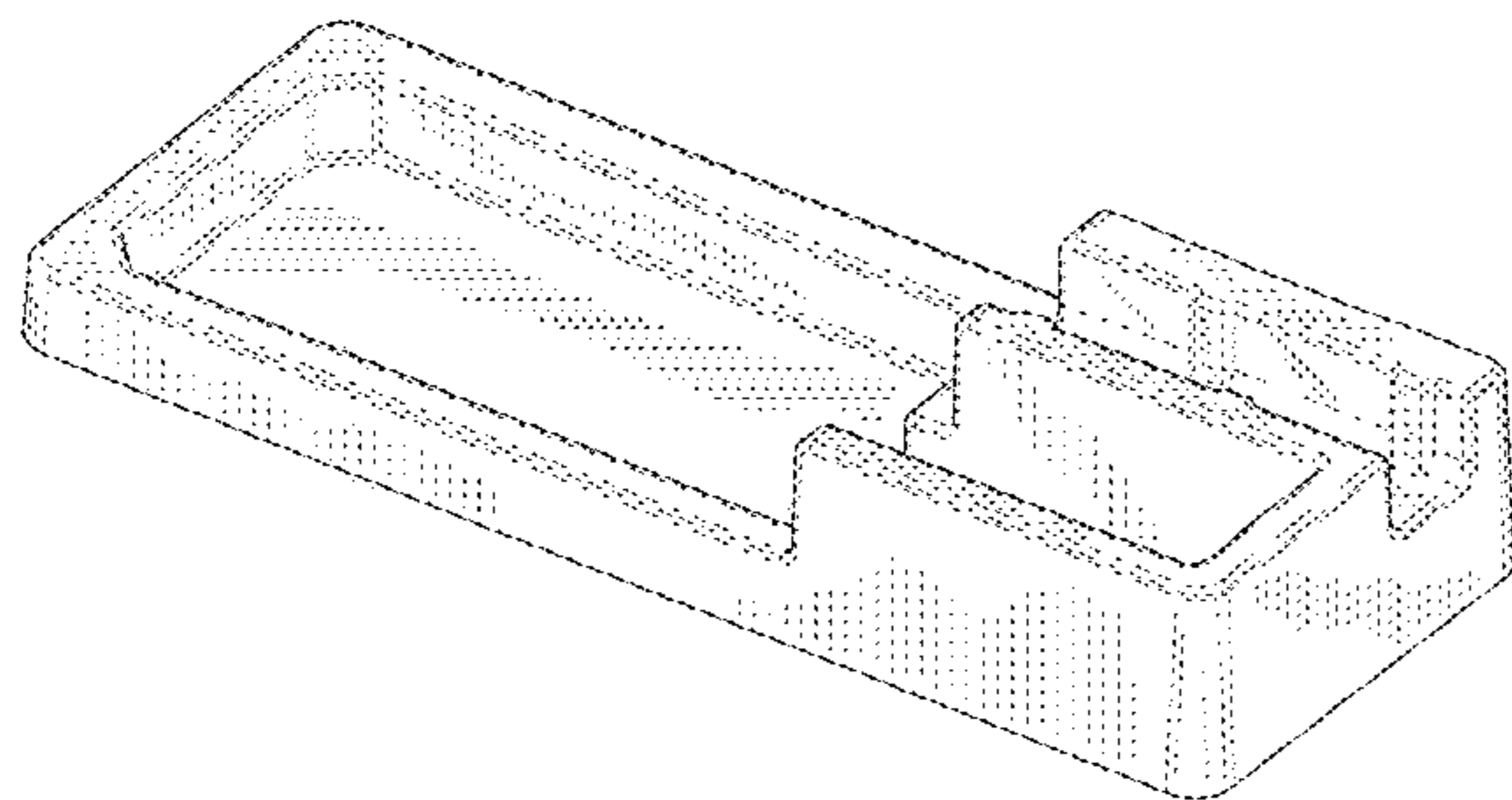
(57) **CLAIM**

The ornamental design for a packaging tray, as shown and  
described.

**DESCRIPTION**

FIG. 1 is a top perspective view of a packaging tray showing  
the new design;  
FIG. 2 is a top perspective view of the packaging tray rotated  
relative to FIG. 1 another top perspective view thereof;  
FIG. 3 is a top plan view of the packaging tray;  
FIG. 4 is an elevational view of an end of the packaging tray;  
FIG. 5 is an elevational view of the opposing end of the  
packaging tray;  
FIG. 6 is an elevational view of a side of the packaging tray;  
FIG. 7 is an elevational view of the opposing side of the  
packaging tray;  
FIG. 8 is a bottom perspective view of the packaging tray;  
FIG. 9 is a bottom perspective view of the packaging tray  
rotated relative to FIG. 8 another bottom perspective view  
thereof; and,  
FIG. 10 is a bottom plan view of the packaging tray.

**1 Claim, 8 Drawing Sheets**



(58) **Field of Classification Search**

USPC ..... D7/505, 538–545, 552.1, 552.2, 553.2,  
 D7/554.3, 555–566, 584–587, 601.1,  
 D7/602–609, 637, 672–674, 698, 701,  
 D7/704; D9/414, 418, 420–424, 427,  
 D9/430–435, 455, 456, 517, 737, 738,  
 D9/740, 741, 744, 745; D19/1, 27, 102,  
 D19/103; D24/127, 128, 216, 224,  
 D24/227–229, 230, 232; D28/61, 73, 76;  
 D32/55, 58; D14/219, 260.1; D12/406,  
 D12/411, 419, 424, 426; D25/1, 2, 3, 16,  
 D25/56, 61, 100, 101; D27/172, 173,  
 D27/174, 175, 183, 186, 193, 194  
 CPC ..... B65D 1/243; B65D 2501/24019; B65D  
 2501/24165; B65D 2501/24152; B65D  
 11/18; B65D 85/18; A47J 27/00; A47J  
 27/002; A47J 27/004; A47J 27/08; A47J  
 27/21; A47J 27/58; A47J 35/025; A47J  
 37/00; A47J 37/10; A47J 37/101; A47J  
 37/103; A47J 37/1204; A47J 37/0704;  
 A47J 45/061; A47J 45/065; A47J 45/071;  
 A47J 45/08; A47J 29/00; A47J 29/02;  
 A47J 29/04; A47J 29/06; A01K 41/02;  
 A01K 41/026; A01K 41/04; A47F  
 5/0807; B65B 1/04; H05B 6/06; H05B  
 6/12; A23B 5/00; A23B 5/005; A23B  
 5/0052; F26B 25/18; A47B 73/00

See application file for complete search history.

(56) **References Cited**

U.S. PATENT DOCUMENTS

D134,249 S 9/1942 Button  
 3,696,917 A 10/1972 Levi  
 3,782,584 A 1/1974 Swenson  
 3,895,737 A 7/1975 Phillips  
 D240,199 S 6/1976 Perfect  
 4,007,828 A 2/1977 Mayled  
 4,057,145 A 11/1977 Wray  
 4,154,365 A 5/1979 Lorca  
 4,284,204 A 8/1981 Cary, Jr.  
 4,437,579 A 3/1984 Obland  
 4,561,544 A 12/1985 Reeve  
 4,572,376 A 2/1986 Wrennall  
 4,611,727 A 9/1986 Graff  
 D289,825 S \* 5/1987 Humphries ..... D3/313  
 D289,856 S 5/1987 Easterling  
 4,705,165 A 11/1987 Thieke  
 D307,555 S 5/1990 Haenni et al.  
 5,108,006 A 4/1992 Tieke et al.  
 5,174,471 A 12/1992 Kozlowski et al.  
 5,275,291 A 1/1994 Sledge  
 5,441,152 A 8/1995 Estes  
 5,449,071 A 9/1995 Levy  
 D369,469 S 5/1996 Gregory  
 D379,301 S 5/1997 Lippincott  
 5,657,901 A 8/1997 Farside  
 5,729,955 A 3/1998 Yamada  
 D393,591 S 4/1998 Baryshyan  
 5,782,359 A 7/1998 McAllister et al.  
 5,816,441 A 10/1998 Farside  
 5,897,025 A 4/1999 Flewitt et al.  
 5,909,822 A 6/1999 George et al.  
 5,915,560 A 6/1999 George et al.  
 6,131,765 A 10/2000 Barry et al.  
 6,155,454 A 12/2000 George et al.  
 6,192,895 B1 \* 2/2001 Yuhara ..... A45C 13/008  
 132/294  
 D444,058 S 6/2001 Hampshire et al.  
 6,267,265 B1 7/2001 Issa  
 D448,631 S \* 10/2001 Erickson ..... D7/698  
 D456,247 S 4/2002 Castellanos et al.

6,460,693 B1 10/2002 Harrold  
 6,527,138 B2 3/2003 Pawlo et al.  
 D490,244 S \* 5/2004 Pero ..... D3/315  
 6,758,338 B2 7/2004 Lien  
 D495,545 S 9/2004 Niehues  
 6,863,175 B2 3/2005 Gelardi  
 6,913,149 B2 7/2005 Gelardi et al.  
 6,976,576 B2 12/2005 Intini  
 D531,054 S 10/2006 Sagel  
 D531,499 S 11/2006 Zaidman  
 7,159,720 B2 1/2007 Pearson  
 7,216,776 B2 5/2007 Gelardi  
 7,288,745 B2 10/2007 Colonna  
 7,353,969 B2 4/2008 McHutchinson  
 D572,588 S 7/2008 Osborn et al.  
 D575,585 S 8/2008 Geens  
 D585,647 S \* 2/2009 Whiteside ..... D3/310  
 D589,798 S 4/2009 Liipola  
 D596,030 S 7/2009 Liipola  
 7,565,969 B2 7/2009 He  
 7,588,149 B2 9/2009 Gelardi  
 D605,896 S \* 12/2009 Zalewski ..... D7/553.1  
 D606,885 S 12/2009 Olsson  
 D608,593 S 1/2010 Follansbee et al.  
 7,712,630 B2 5/2010 He  
 D631,353 S 1/2011 Gelardi et al.  
 D631,354 S 1/2011 Gelardi et al.  
 D631,747 S 2/2011 Gelardi et al.  
 D638,297 S 5/2011 Gelardi et al.  
 D639,162 S 6/2011 Gelardi et al.  
 D639,163 S 6/2011 Gelardi et al.  
 D641,988 S \* 7/2011 Giroux ..... D6/675  
 D661,188 S 6/2012 Fahy  
 D661,189 S 6/2012 Fahy  
 D661,190 S 6/2012 Fahy  
 D677,163 S 3/2013 Jones et al.  
 D678,067 S 3/2013 Jones et al.  
 D687,300 S 8/2013 Jones et al.  
 D689,772 S 9/2013 Jones et al.  
 D690,164 S \* 9/2013 Lock ..... D7/553.2  
 D709,767 S 7/2014 Morrison et al.  
 D720,470 S \* 12/2014 Lober ..... D24/227  
 D723,920 S \* 3/2015 Wakeham ..... D9/456  
 D729,549 S \* 5/2015 Williams ..... D6/675  
 D736,013 S \* 8/2015 Williams ..... D6/675  
 D741,541 S \* 10/2015 Liu ..... D27/186  
 D746,643 S \* 1/2016 Kraemer ..... D7/637  
 D748,498 S \* 2/2016 Pipes ..... D9/424  
 D749,417 S \* 2/2016 Bate ..... D9/456  
 D756,223 S \* 5/2016 Pipes ..... D9/456  
 D785,811 S \* 5/2017 Watts ..... D24/224  
 2002/0096517 A1 7/2002 Gelardi  
 2002/0175195 A1 11/2002 Cole  
 2004/0217024 A1 11/2004 Amarp et al.  
 2005/0173272 A1 8/2005 Lemmons, IV  
 2006/0060480 A1 3/2006 Budd  
 2006/0118589 A1 6/2006 Amarp et al.  
 2006/0124658 A1 6/2006 Coe et al.  
 2006/0243611 A1 11/2006 Wu  
 2007/0017843 A1 \* 1/2007 Keel ..... B65D 5/0025  
 206/509  
 2007/0068960 A1 3/2007 Valentine et al.  
 2007/0163911 A1 7/2007 Gelardi  
 2007/0277299 A1 12/2007 Kroon  
 2008/0029110 A1 2/2008 Dube et al.  
 2008/0029116 A1 2/2008 Robinson et al.  
 2008/0035643 A1 2/2008 Hoffman  
 2009/0223989 A1 9/2009 Gelardi  
 2009/0266837 A1 10/2009 Gelardi et al.  
 2010/0018882 A1 1/2010 St. Charles  
 2010/0018883 A1 1/2010 Patel  
 2010/0084424 A1 4/2010 Gelardi  
 2010/0133140 A1 6/2010 Bailey et al.  
 2010/0264157 A1 10/2010 Bailey et al.  
 2010/0307116 A1 12/2010 Fisher  
 2013/0133686 A1 \* 5/2013 Shteytsel ..... A45D 40/24  
 132/314  
 2014/0197067 A1 \* 7/2014 Veltrop ..... B65D 83/0005  
 206/564

(56)

**References Cited**

U.S. PATENT DOCUMENTS

2014/0231302 A1\* 8/2014 Goyal ..... A61B 19/026  
206/571  
2014/0360897 A1\* 12/2014 Adams ..... B65D 79/00  
206/216  
2016/0213441 A1\* 7/2016 Connolly ..... A61B 50/33  
2016/0262843 A1\* 9/2016 Sellers ..... A61B 50/33  
2017/0165022 A1\* 6/2017 Dam-Huisman ..... A61B 50/30

FOREIGN PATENT DOCUMENTS

GB 2 042 476 9/1980  
WO WO 1999/48391 9/1999  
WO WO 2004/035404 4/2004  
WO WO 2005/016036 2/2005  
WO WO 2005/030606 4/2005  
WO WO 2005/035390 4/2005  
WO WO 2007/017761 2/2007  
WO WO 2007/067953 6/2007  
WO WO 2007/070867 6/2007  
WO WO 2008/070032 6/2008

OTHER PUBLICATIONS

Cigarette Rolling Machine: Announced Mar. 21, 2017 [online], site visited [Sep. 14, 2017]. Available from Internet URL: [https://www.aliexpress.com/item/New-Cigarette-Rolling-Machine-Electric-Automatic-Injector-Maker-Tobacco-Roller/32728910144.html?spm=2114.search0301.4.53.E3KqUm.\\*](https://www.aliexpress.com/item/New-Cigarette-Rolling-Machine-Electric-Automatic-Injector-Maker-Tobacco-Roller/32728910144.html?spm=2114.search0301.4.53.E3KqUm.*)

\* cited by examiner

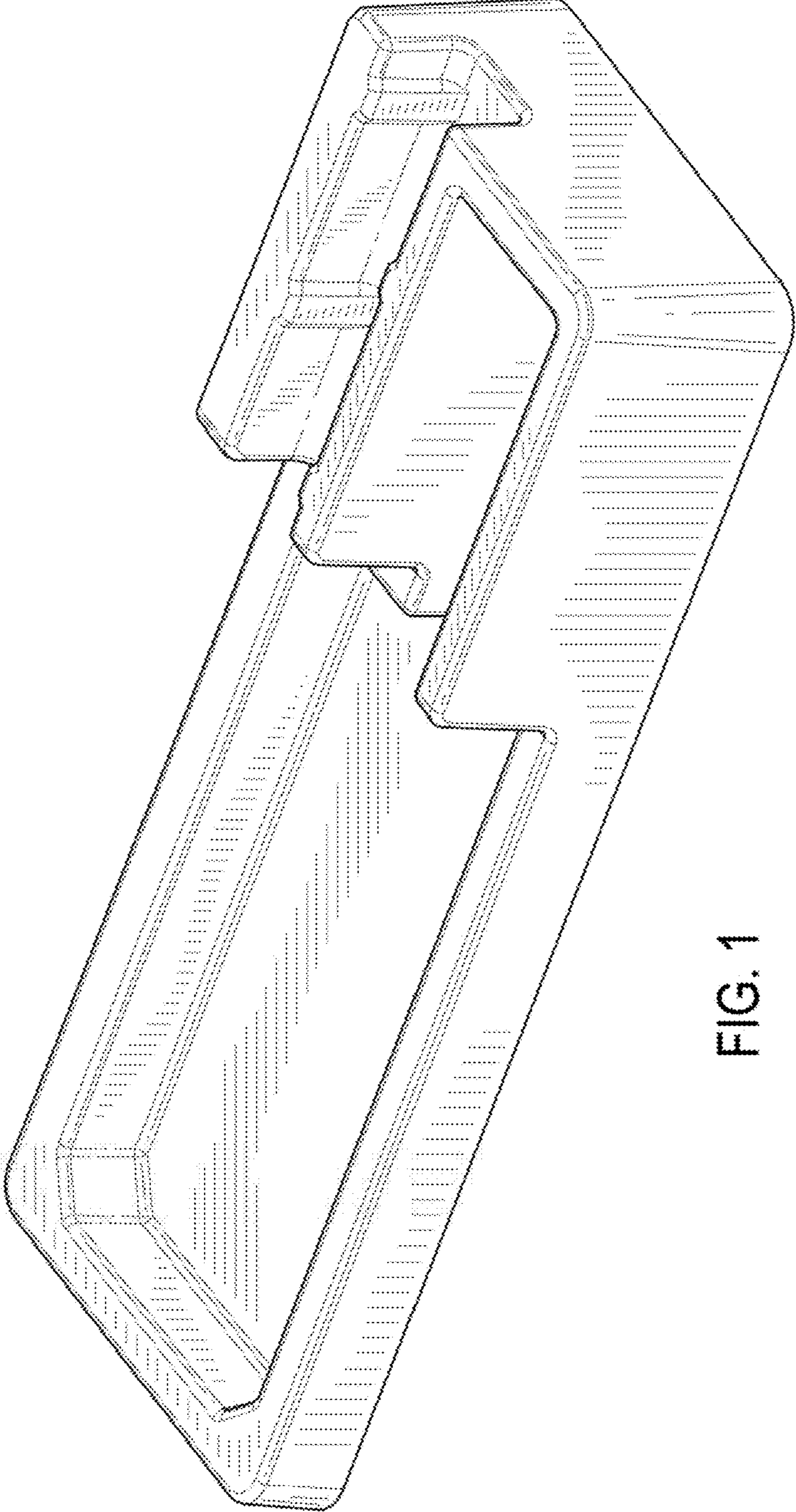


FIG. 1

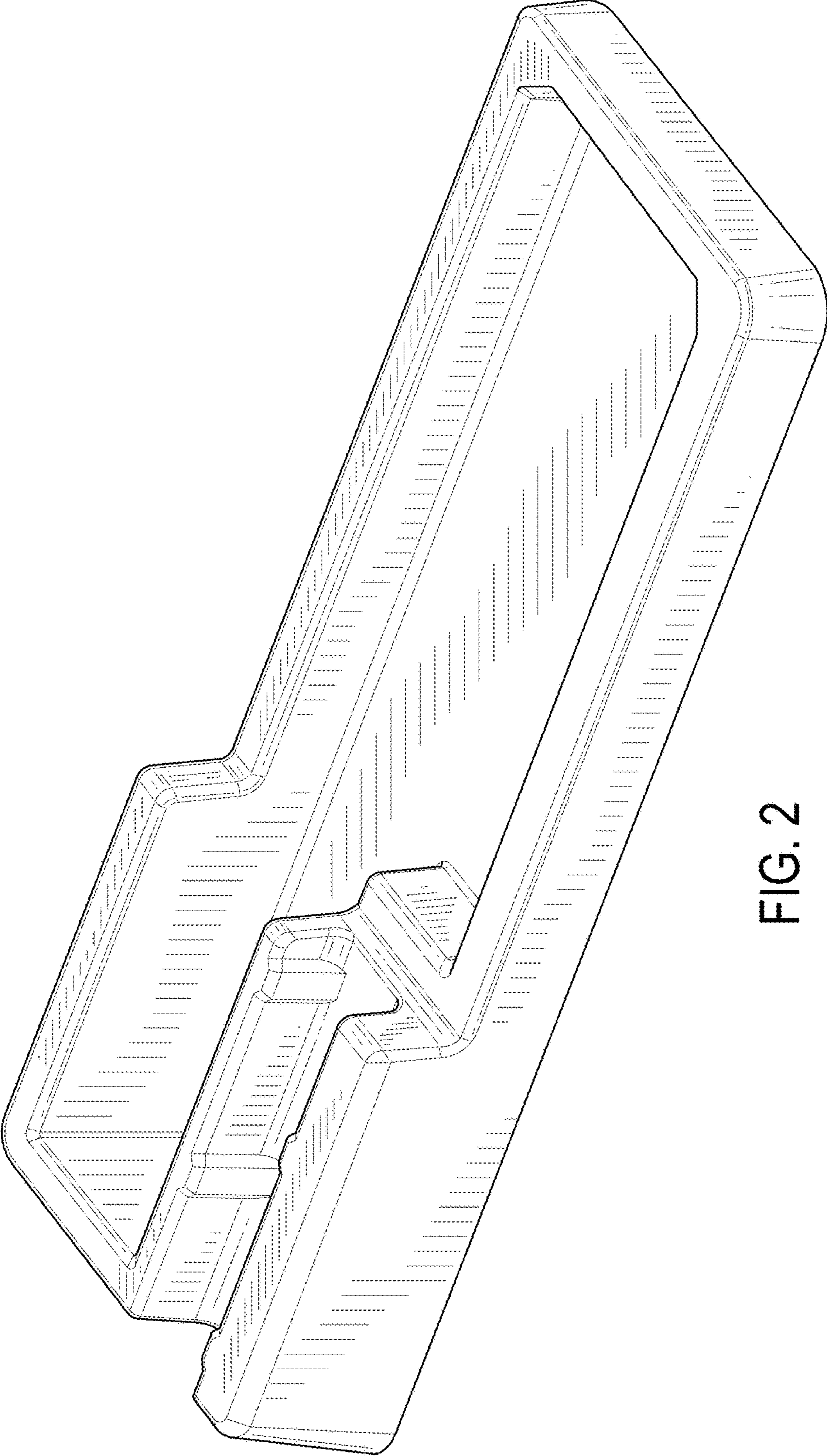


FIG. 2

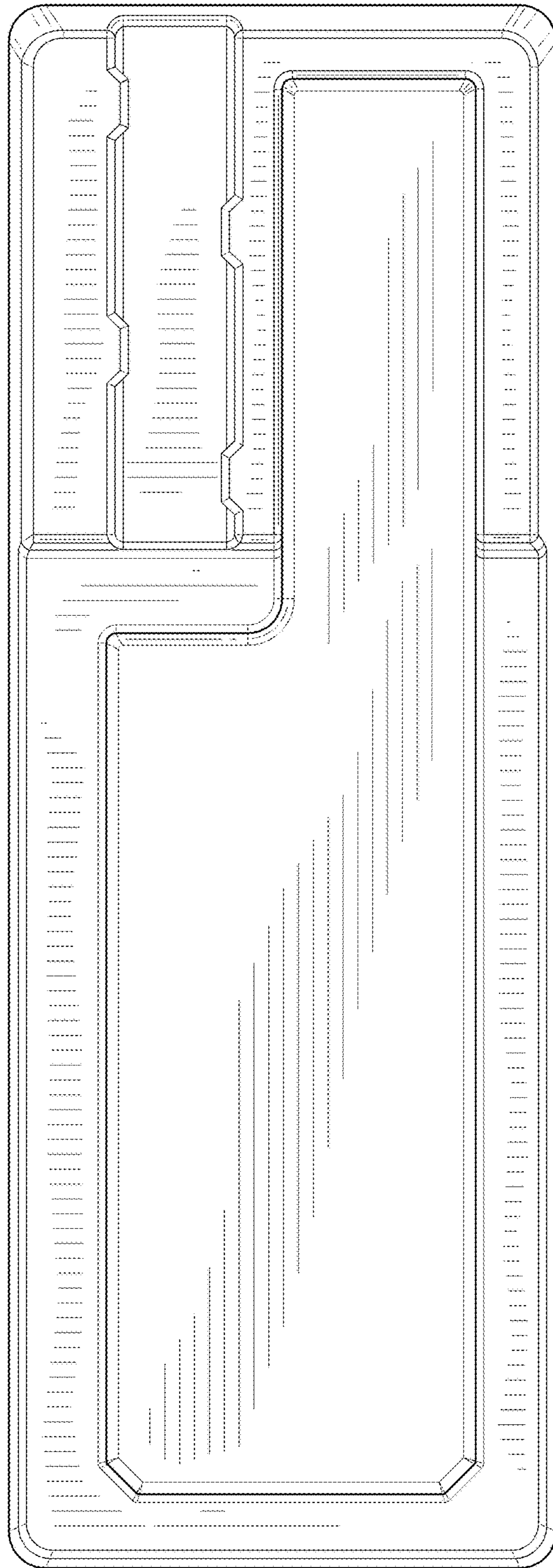


FIG. 3

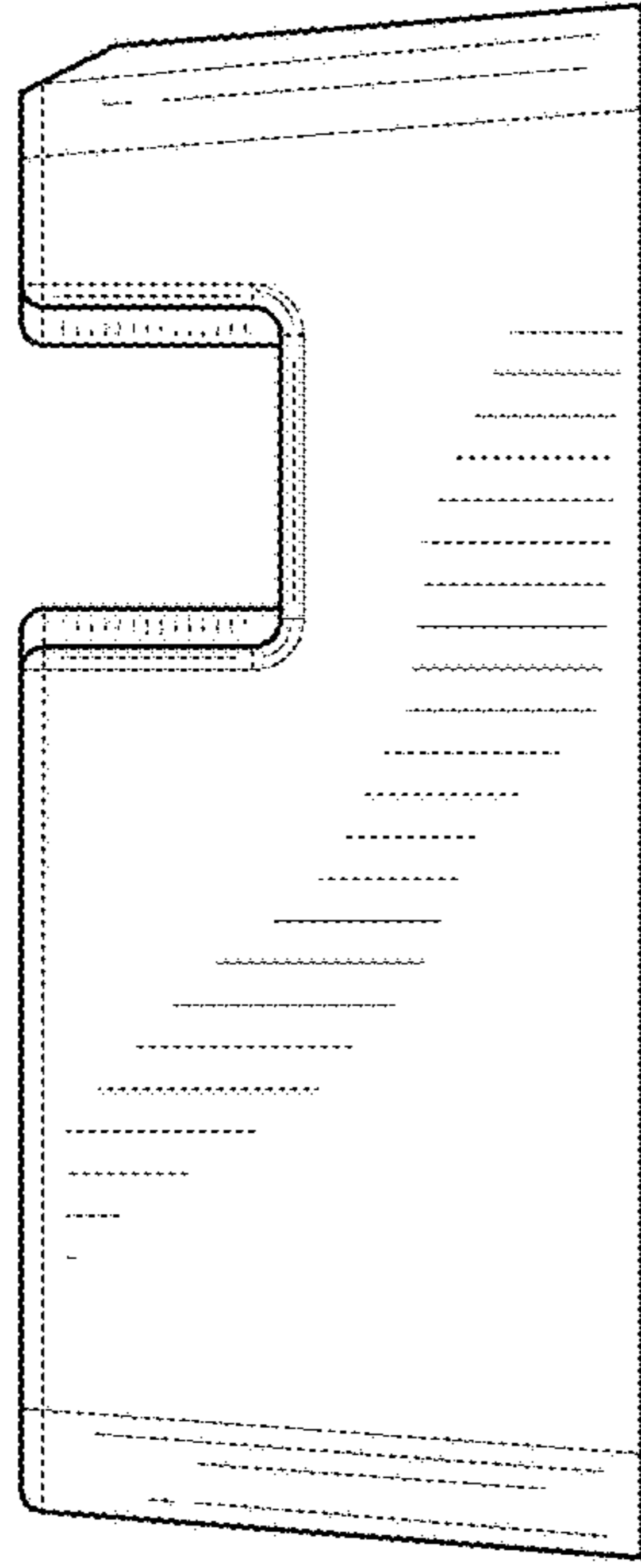


FIG. 4

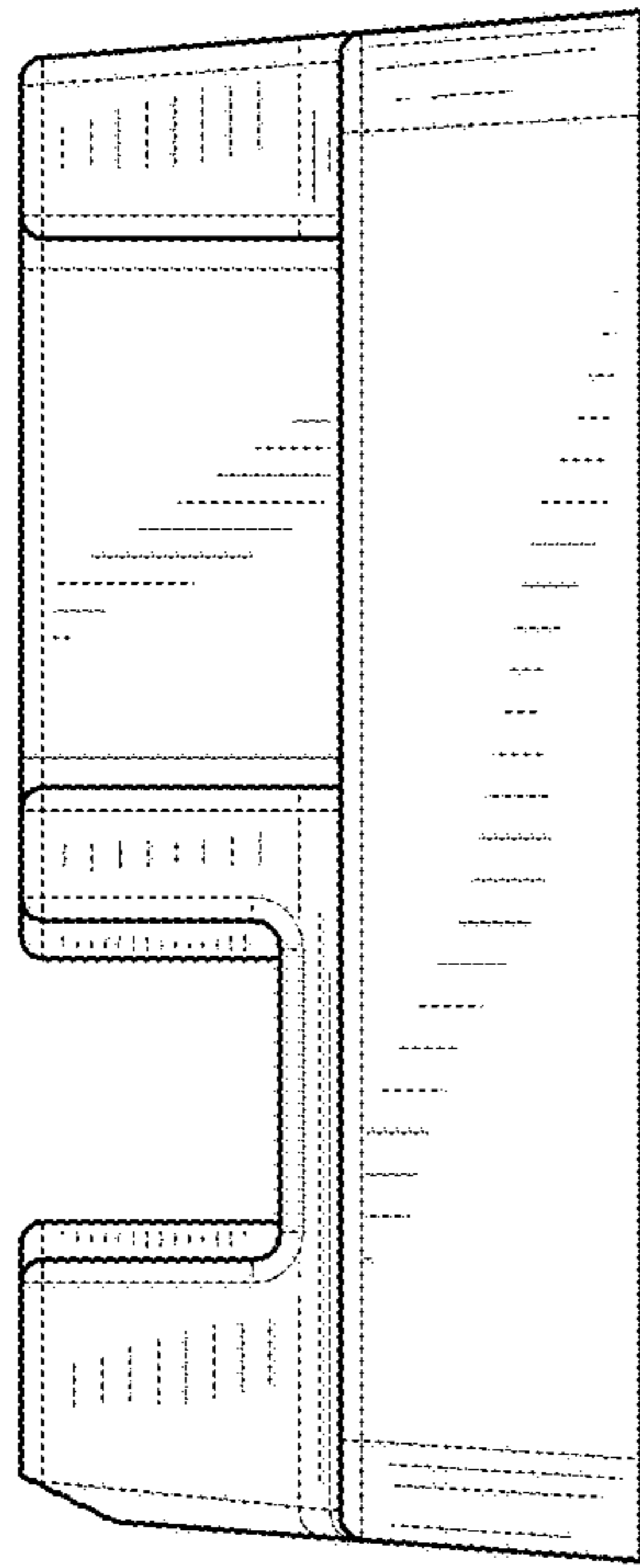


FIG. 5

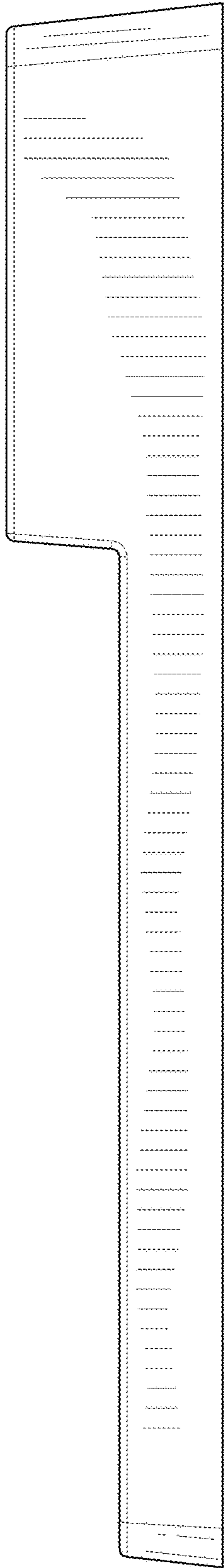


FIG. 6

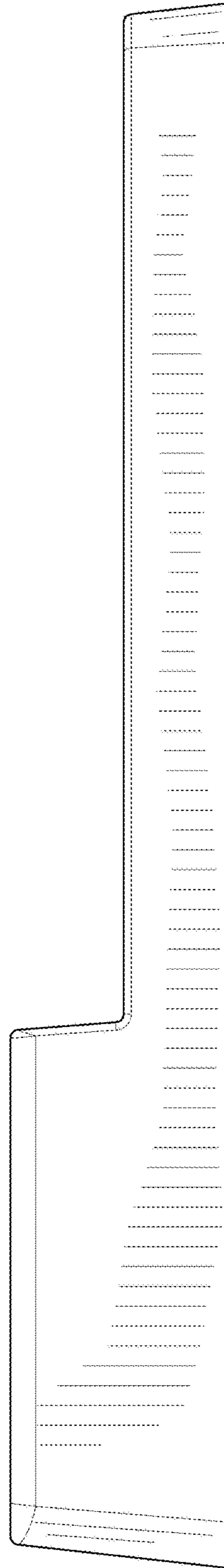


FIG. 7



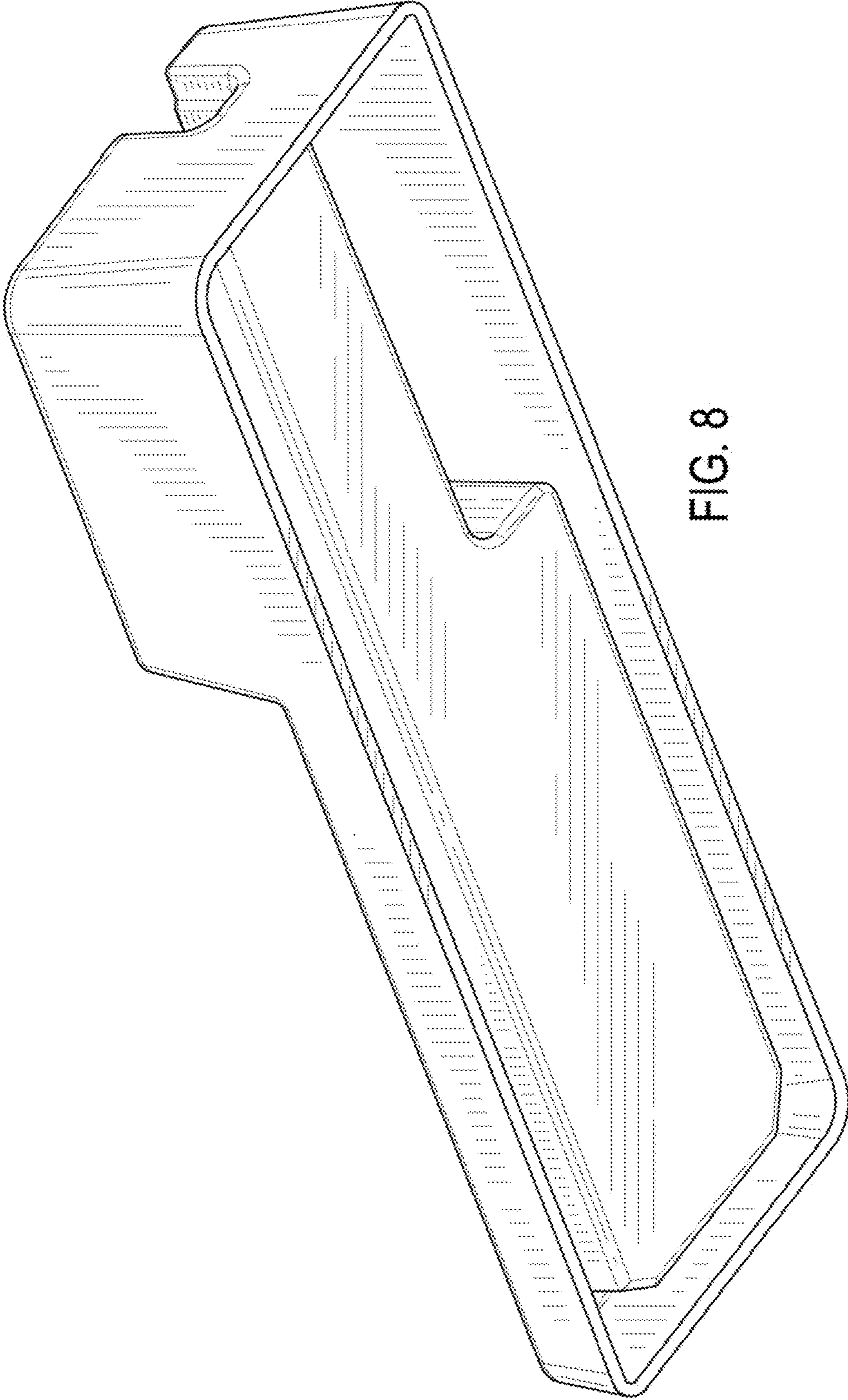


FIG. 8

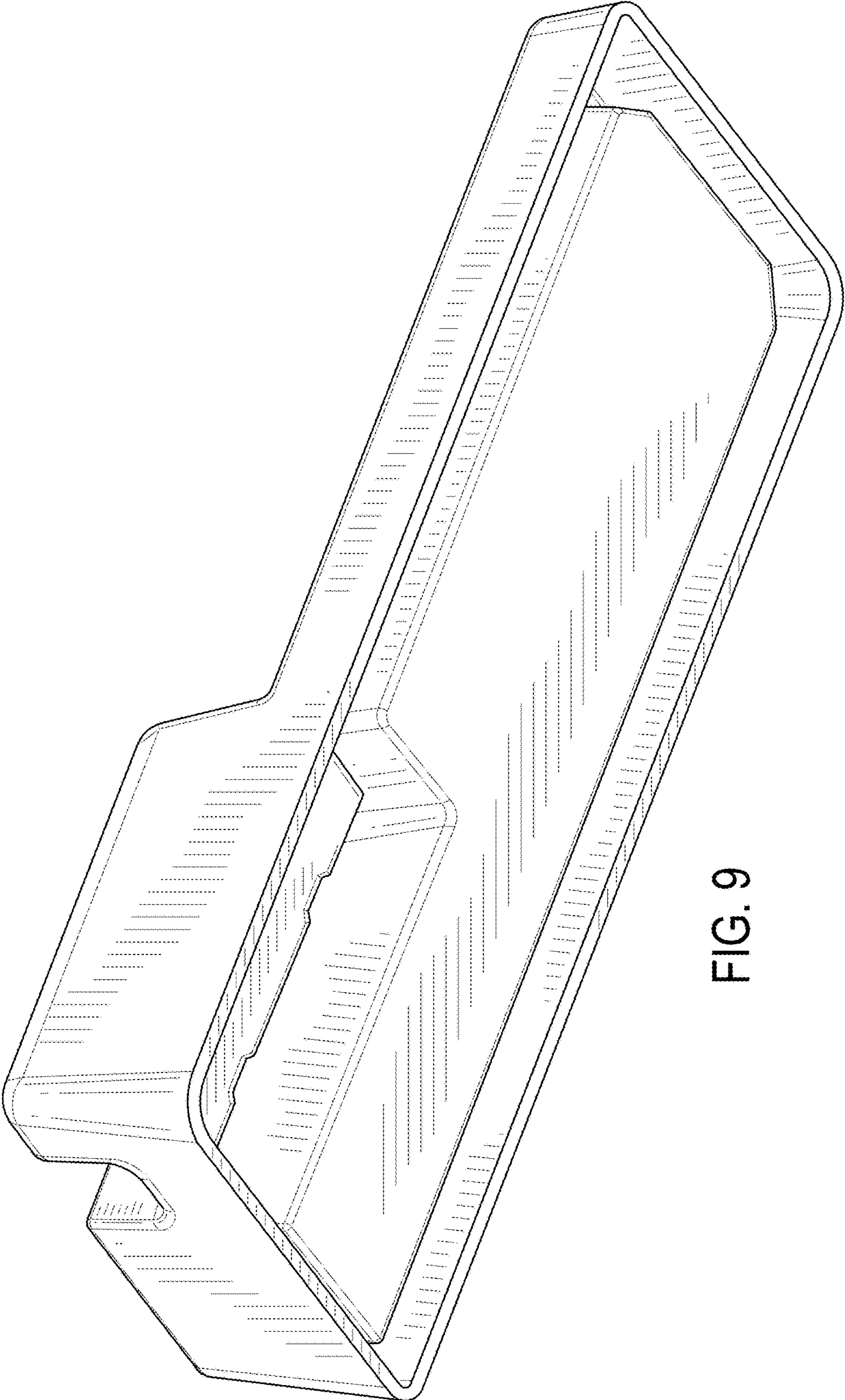


FIG. 9

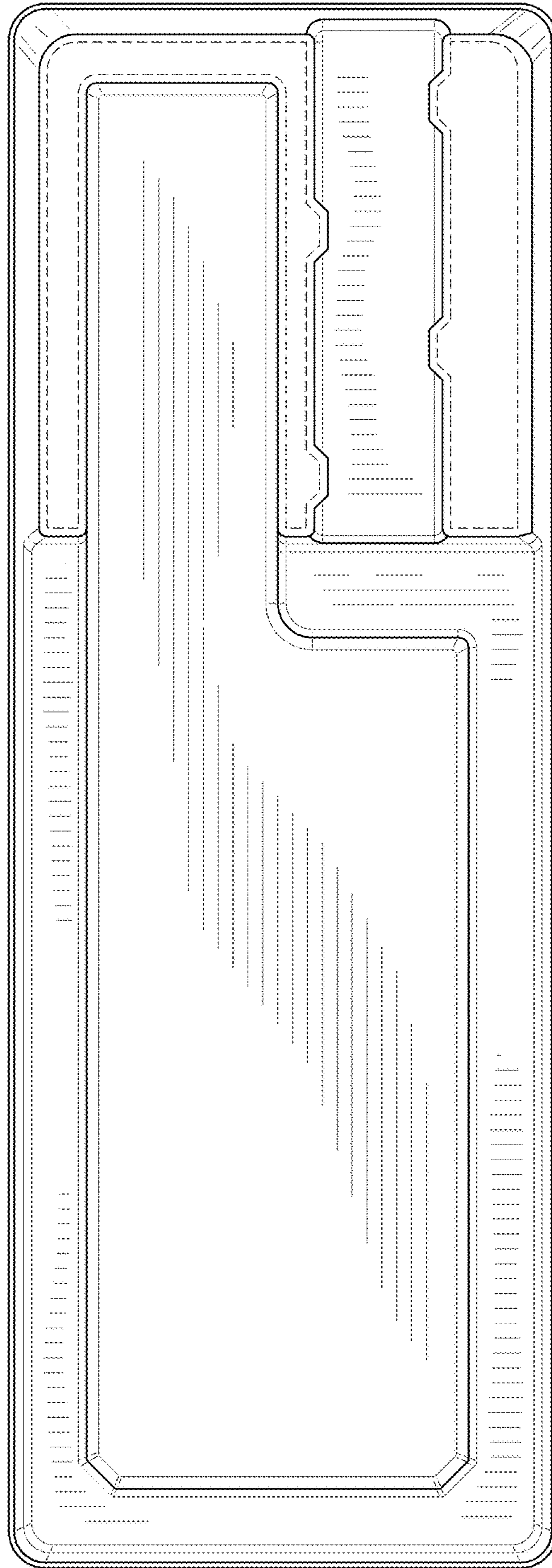


FIG. 10