



US00D826711S

(12) **United States Design Patent** (10) **Patent No.:** **US D826,711 S**  
**Boersma et al.** (45) **Date of Patent:** **\*\* Aug. 28, 2018**

(54) **CARTON** 2,586,301 A 2/1952 Castle  
2,594,376 A 4/1952 Arneson  
(71) Applicant: **Graphic Packaging International, Inc.**, Atlanta, GA (US) 2,702,144 A 2/1955 Forrer  
2,797,856 A 7/1957 Jaeschke  
(Continued)

(72) Inventors: **Harmen Boersma**, Heerenveen (NL);  
**Ana Gonzalez**, Barcelona (ES); **Esteve Rovira Porta**, Barcelona (ES); **Brian Smalley**, Bristol (GB); **Jon Thompson**, Bristol (GB); **Marie Zix**, Avion (FR)

FOREIGN PATENT DOCUMENTS

CA 27146 4/1965  
CA 877792 8/1971  
(Continued)

(73) Assignee: **Graphic Packaging International, LLC**, Atlanta, GA (US)

OTHER PUBLICATIONS

(\*\*) Term: **15 Years**

Graphic Packaging. Rounded Corner fridge pack. 2015 [earliest online date], [site visited Aug. 9, 2017]. Available from Internet, <URL:https://www.graphicpkgeurope.com/beverage/product-lines/fully-enclosed-carton-fec/>.\*

(21) Appl. No.: **29/582,962**

(22) Filed: **Nov. 1, 2016**

(Continued)

**Related U.S. Application Data**

(63) Continuation of application No. 15/286,963, filed on Oct. 6, 2016.

(51) **LOC (11) Cl.** ..... **09-03**

(52) **U.S. Cl.**  
USPC ..... **D9/432**

(58) **Field of Classification Search**  
USPC ..... D3/201, 203.1, 203.5, 203.6; D7/601, D7/602, 609; D9/414-416, 418-423, D9/425, 426, 430-436, 444, 455-457, D9/499  
CPC ..... B65D 71/36  
See application file for complete search history.

*Primary Examiner* — Eric L Goodman

*Assistant Examiner* — Darcey E Heflin

(74) *Attorney, Agent, or Firm* — Womble Bond Dickinson (US) LLP

(57) **CLAIM**

The ornamental design for a carton, as shown and described.

**DESCRIPTION**

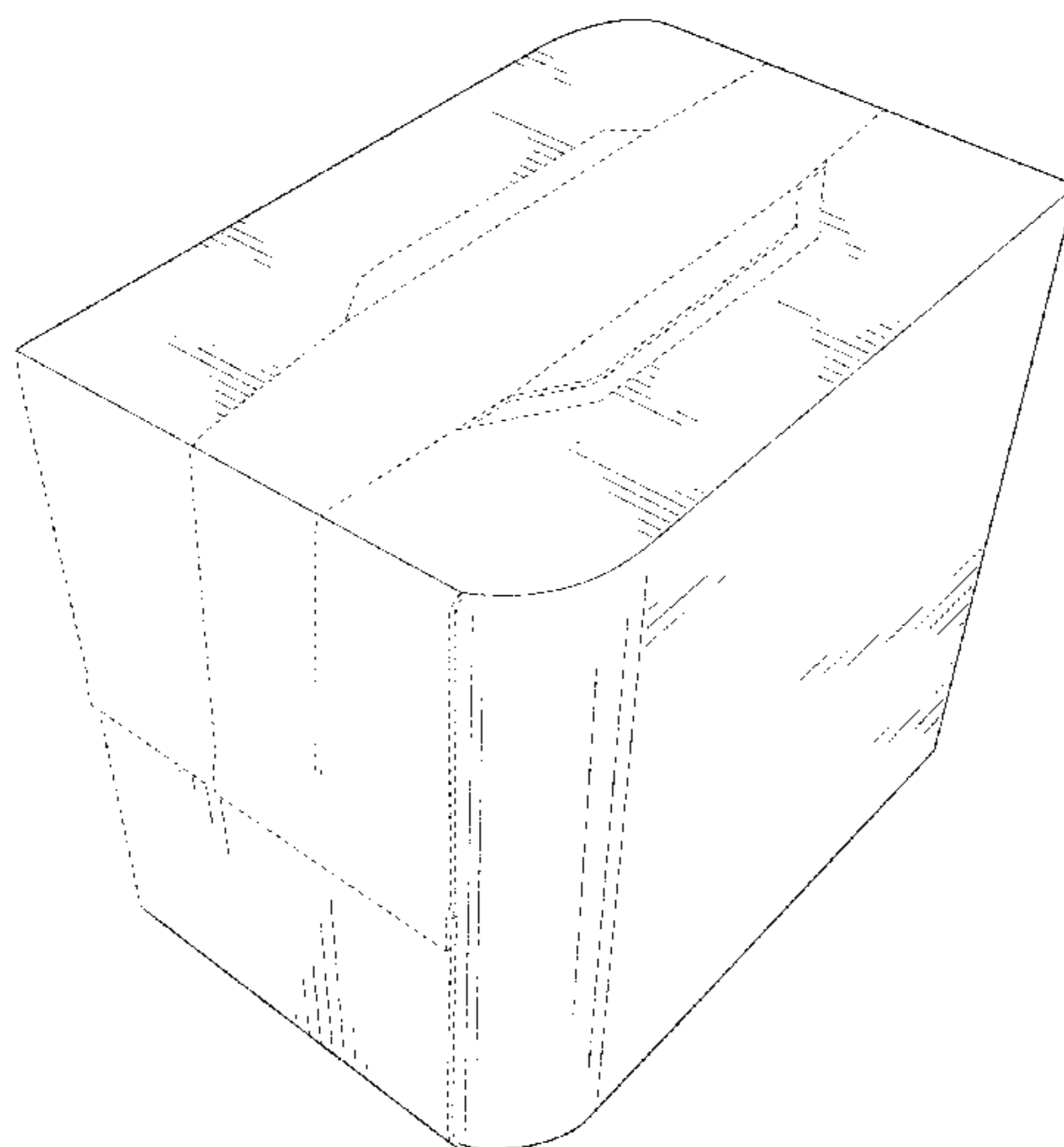
FIG. 1 is a perspective view of a carton.  
FIG. 2 is a left elevation view of the carton of FIG. 1, the right elevation view being identical.  
FIG. 3 is a front elevation view of the carton of FIG. 1, the rear elevation view being identical.  
FIG. 4 is a top plan view of the carton of FIG. 1; and, FIG. 5 is a bottom plan view of the carton of FIG. 1.  
The claim is directed to the shaded surfaces only. All evenly-spaced broken lines depict environmental subject matter only that forms no part of the claimed design.

(56) **References Cited**

U.S. PATENT DOCUMENTS

926,758 A 7/1909 Miller  
1,253,193 A 1/1918 Hill  
2,115,673 A 4/1938 Stompe  
2,382,368 A 8/1945 Mitchell, Jr.  
2,383,183 A 8/1945 Fishcher

**1 Claim, 5 Drawing Sheets**



(56)

References Cited

U.S. PATENT DOCUMENTS

2,800,224 A	7/1957	Walter et al.	4,966,324 A	10/1990	Steel
2,810,506 A	10/1957	Kessler	4,974,771 A	12/1990	Lavery
2,819,506 A	10/1957	Kessler	5,020,337 A	6/1991	Krieg
2,868,433 A	1/1959	Anderson, Jr.	D318,235 S	7/1991	Weed
2,955,739 A	10/1960	Collura	5,060,792 A	10/1991	Oliff
3,112,856 A	12/1963	MacIntosh et al.	5,071,062 A	12/1991	Bradley et al.
3,127,720 A	4/1964	Gentry et al.	5,072,876 A	12/1991	Wilson
3,166,235 A	1/1965	Schroeder	5,094,359 A	3/1992	DeMars et al.
3,178,242 A	4/1965	Ellis et al.	5,106,014 A	4/1992	Miller
3,204,814 A	9/1965	Mahon	5,118,032 A	6/1992	Geho
3,204,815 A	9/1965	Weis	5,119,985 A	6/1992	Dawson et al.
3,309,005 A	3/1967	Pilger	5,137,211 A	8/1992	Summer et al.
3,334,767 A	8/1967	Cornelius et al.	5,197,598 A	3/1993	Stout et al.
3,355,012 A	11/1967	Weiss	5,221,041 A	6/1993	Stout et al.
3,356,279 A	12/1967	Root	5,222,658 A	6/1993	DeMaio et al.
3,381,881 A	5/1968	Granz et al.	5,234,102 A	8/1993	Schuster et al.
3,638,851 A	2/1972	Offer et al.	5,246,112 A	9/1993	Stout et al.
D230,955 S *	3/1974	Katzenmeyer ..... D9/414	5,263,634 A	11/1993	Korine
3,807,624 A	4/1974	Funkhouser	5,284,294 A	2/1994	Floyd
3,828,926 A	8/1974	Rossi	5,292,058 A	3/1994	Zoss et al.
3,886,901 A	6/1975	Zeitter	5,297,725 A	3/1994	Sutherland
3,894,681 A	7/1975	Arneson et al.	5,303,863 A	4/1994	Arasim
3,904,036 A	9/1975	Forrer	5,307,932 A	5/1994	Stout et al.
3,912,156 A	10/1975	May	5,307,986 A	5/1994	Schuster
3,933,303 A	1/1976	Kirby, Jr.	5,320,277 A	6/1994	Stout et al.
3,994,432 A	11/1976	Kirby, Jr.	5,328,030 A	7/1994	Sutherland
4,029,204 A	6/1977	Manizza	5,328,081 A	7/1994	Saulas
D244,993 S *	7/1977	Drysdale ..... D9/432	5,333,734 A	8/1994	Stout et al.
4,036,423 A	7/1977	Gordon	D350,480 S	9/1994	Sutherland
4,063,679 A	12/1977	Henry	5,350,110 A	9/1994	Will
4,096,985 A	6/1978	Wood	5,379,944 A	1/1995	Stout et al.
4,111,306 A	9/1978	Roccaforte	5,381,891 A	1/1995	Harris
4,173,823 A	11/1979	Anderson et al.	5,385,234 A	1/1995	Stout et al.
4,216,861 A	8/1980	Oliff	5,395,044 A	3/1995	Stout
4,318,474 A	3/1982	Hasegawa	5,427,241 A	6/1995	Sutherland
4,328,923 A	5/1982	Graser	5,458,234 A	10/1995	Harris
4,329,923 A	5/1982	Lida	D364,344 S *	11/1995	Shaw ..... D9/421
4,331,289 A	5/1982	Killy	5,472,090 A	12/1995	Sutherland
4,360,107 A	11/1982	Roccaforte	5,472,136 A	12/1995	Roccaforte
4,364,509 A	12/1982	Holley et al.	5,485,915 A	1/1996	Harris
4,375,258 A	3/1983	Crayne et al.	5,495,727 A	3/1996	Strong et al.
4,378,905 A	4/1983	Roccaforte	5,505,372 A	4/1996	Edson et al.
4,382,505 A	5/1983	Sutherland et al.	5,524,756 A	6/1996	Sutherland
4,396,143 A	8/1983	Killy	5,524,756 A	6/1996	Sutherland
4,417,655 A	11/1983	Forbes, Jr.	5,535,940 A	7/1996	Olds
4,418,864 A	12/1983	Nielsen	5,551,556 A	9/1996	Sutherland
4,424,901 A	1/1984	Lanier	5,560,539 A	10/1996	Baxter
4,436,244 A	3/1984	Morris	5,582,343 A	12/1996	Dalvey
4,440,340 A	4/1984	Bakx	D377,861 S *	2/1997	Jacober ..... D3/203.1
4,470,503 A	9/1984	Stone	5,605,279 A	2/1997	Adamek
4,476,989 A	10/1984	Larsen	5,622,309 A	4/1997	Matsuda et al.
4,478,334 A	10/1984	Graser	5,639,017 A	6/1997	Fogle
4,498,619 A	2/1985	Roccaforte	5,647,483 A	7/1997	Harris
4,508,258 A	4/1985	Graser	5,664,683 A	9/1997	Brody
4,538,759 A	9/1985	Dutcher	5,669,500 A	9/1997	Sutherland
4,545,485 A	10/1985	Oliff	5,678,492 A	10/1997	Pinkstone et al.
4,546,914 A	10/1985	Roccaforte	5,690,213 A	11/1997	Matsumura
4,567,341 A	1/1986	Brown	5,699,957 A	12/1997	Bin et al.
4,577,762 A	3/1986	Kuchenbecker	5,704,470 A	1/1998	Sutherland
4,577,799 A	3/1986	Oliff	5,738,273 A	4/1998	Auclair
4,588,084 A	5/1986	Holley, Jr.	5,739,273 A	4/1998	Engelman et al.
4,653,686 A	3/1987	Wood et al.	5,794,778 A	8/1998	Harris
4,706,876 A	11/1987	Wilson	5,794,811 A	8/1998	Walsh
4,747,487 A	5/1988	Wood	5,806,755 A	9/1998	Correll
4,747,534 A	5/1988	Marie	5,826,782 A	10/1998	Stout
4,765,534 A	8/1988	Zion et al.	5,826,783 A	10/1998	Stout
4,784,266 A	11/1988	Chaussadas	5,833,130 A	11/1998	Correll
4,784,316 A	11/1988	Crouch	5,848,749 A	12/1998	Ljungstrom
4,802,583 A	2/1989	Calvert et al.	5,860,587 A	1/1999	Young
4,830,267 A	5/1989	Wilson	5,873,515 A	2/1999	Dunn et al.
4,875,586 A	10/1989	Chaussadas	5,875,961 A	3/1999	Stone et al.
4,890,440 A	1/1990	Romagnoli	5,878,946 A	3/1999	Frerot et al.
D306,402 S *	3/1990	Colla ..... D9/414	5,906,313 A	5/1999	Oliff
4,949,845 A	8/1990	Dixon	5,915,546 A	6/1999	Harrelson
D311,339 S	10/1990	Weed	5,921,398 A	7/1999	Carroll
			5,924,559 A	7/1999	Carrel et al.
			5,992,733 A	11/1999	Gomes
			6,019,276 A	2/2000	Auclair
			6,021,897 A	2/2000	Sutherland
			6,065,590 A	5/2000	Spivey

(56)

References Cited

U.S. PATENT DOCUMENTS

D426,154 S 6/2000 De Baschmakoff  
 6,085,969 A 7/2000 Burgoyne  
 6,105,853 A 8/2000 Lamare  
 6,105,854 A 8/2000 Spivey et al.  
 6,109,512 A 8/2000 Morrison  
 6,112,977 A 9/2000 Sutherland et al.  
 6,129,266 A 10/2000 Oliff et al.  
 6,131,803 A 10/2000 Cliff et al.  
 6,155,480 A 12/2000 Botsford et al.  
 6,164,526 A 12/2000 Dalvey  
 6,170,741 B1 1/2001 Skolik et al.  
 6,176,419 B1 1/2001 Holley, Jr.  
 6,202,920 B1 3/2001 Auclair  
 6,206,277 B1 3/2001 Correll  
 6,227,367 B1 5/2001 Harrelson et al.  
 6,260,755 B1 7/2001 Bates et al.  
 6,290,122 B1 9/2001 Correll  
 6,302,320 B1 10/2001 Stout  
 D452,154 S 12/2001 Rhodes et al.  
 6,364,199 B1 4/2002 Rose  
 6,371,365 B1 4/2002 Doucette et al.  
 6,375,066 B1 4/2002 Ritter  
 6,409,077 B1 6/2002 Telesca et al.  
 6,425,520 B1 7/2002 Peterson  
 6,523,739 B2 2/2003 Heeley et al.  
 6,536,656 B2 3/2003 Auclair et al.  
 6,571,539 B2 6/2003 Gendre et al.  
 6,631,803 B2 10/2003 Rhodes et al.  
 6,715,639 B2 4/2004 Spivey  
 D489,609 S \* 5/2004 Holthaus ..... D9/430  
 6,752,262 B1 6/2004 Boriani et al.  
 6,758,337 B2 7/2004 Chargueraud et al.  
 6,766,940 B2 7/2004 Negelen  
 6,834,793 B2 12/2004 Sutherland  
 6,848,573 B2 2/2005 Gould et al.  
 6,866,186 B2 3/2005 Fogle et al.  
 6,869,009 B2 3/2005 Sutherland et al.  
 6,899,221 B2 5/2005 Skolik et al.  
 6,905,066 B2 6/2005 Holley  
 6,926,193 B2 8/2005 Smalley  
 6,945,450 B2 9/2005 Rusnock  
 6,968,992 B2 11/2005 Schuster  
 D513,177 S \* 12/2005 Tachikawa ..... D9/432  
 6,971,572 B2 12/2005 Ikeda  
 7,000,803 B2 2/2006 Miller  
 7,007,836 B2 3/2006 Smalley  
 7,070,045 B2 7/2006 Theelen  
 7,234,596 B2 6/2007 Lebras  
 7,237,674 B2 7/2007 Auclair  
 D549,575 S 8/2007 Pinkstone  
 D553,496 S 10/2007 Martuch et al.  
 7,296,731 B2 11/2007 Auclair et al.  
 D558,047 S 12/2007 Pinkstone  
 7,374,038 B2 5/2008 Smalley  
 7,380,701 B2 6/2008 Fogle et al.  
 7,416,109 B2 8/2008 Sutherland  
 7,427,010 B2 9/2008 Sutherland  
 D582,267 S \* 12/2008 Andre ..... D9/432  
 7,472,791 B2 1/2009 Spivey, Sr.  
 7,546,924 B2 6/2009 Oliveira  
 7,571,807 B2 8/2009 DeBusk et al.  
 7,601,111 B2 10/2009 Sutherland et al.  
 7,665,653 B2 2/2010 Fitzwater  
 7,699,215 B2 4/2010 Spivey, Sr.  
 7,703,666 B2 4/2010 Hand et al.  
 7,743,944 B2 6/2010 Ho Fung et al.  
 7,743,968 B2 6/2010 Theelen  
 7,748,603 B2 7/2010 Fogle et al.  
 7,757,933 B2 7/2010 Dunn  
 7,762,450 B2 7/2010 Oliveira  
 7,766,219 B2 8/2010 Gomes et al.  
 7,793,779 B2 9/2010 Spivey, Sr. et al.  
 7,806,314 B2 10/2010 Sutherland  
 8,070,052 B2 12/2011 Spivey, Sr. et al.  
 D657,239 S \* 4/2012 Gavrilenkov ..... D9/432

8,191,761 B2 6/2012 Brand  
 D670,999 S \* 11/2012 Stowe ..... D9/416  
 8,376,214 B2 2/2013 Spivey, Sr. et al.  
 D684,042 S \* 6/2013 Betzig ..... D9/420  
 8,459,533 B2 6/2013 Requena et al.  
 8,740,051 B2 6/2014 Gonzalez  
 8,955,736 B2 2/2015 Spivey, Sr. et al.  
 D737,135 S \* 8/2015 Mizutani ..... D9/414  
 D747,868 S \* 1/2016 Steka ..... D3/201  
 9,415,914 B2 \* 8/2016 Holley, Jr. .... B65D 71/0014  
 9,487,320 B2 11/2016 Holley, Jr.  
 9,499,319 B2 11/2016 Schmal et al.  
 D781,143 S \* 3/2017 Holley, Jr. .... D9/433  
 2002/0070139 A1 6/2002 Bates  
 2002/0088820 A1 7/2002 Spivey  
 2002/0088821 A1 7/2002 Spivey et al.  
 2003/0192905 A1 10/2003 Spivey  
 2003/0213263 A1 11/2003 Woog  
 2004/0050917 A1 3/2004 Smalley  
 2004/0060972 A1 4/2004 Harrelson  
 2004/0074954 A1 4/2004 Fogle et al.  
 2004/0099558 A1 5/2004 Oliff et al.  
 2004/0164133 A1 8/2004 Harrelson  
 2004/0188277 A1 9/2004 Auclair  
 2004/0188300 A1 9/2004 Sutherland  
 2004/0256445 A1 12/2004 Merzeau  
 2004/0262374 A1 12/2004 Chargueraud  
 2005/0056658 A1 3/2005 Spivey  
 2005/0087592 A1 4/2005 Schuster  
 2005/0167292 A1 8/2005 Sutherland  
 2005/0167476 A1 8/2005 Ikeda  
 2005/0167478 A1 8/2005 Holley, Jr.  
 2005/0178687 A1 8/2005 Spivey, Sr.  
 2005/0178791 A1 8/2005 Miller  
 2006/0000881 A1 1/2006 Sutherland  
 2006/0071058 A1 4/2006 Spivey, Sr.  
 2006/0108406 A1 5/2006 Stewart et al.  
 2006/0169755 A1 8/2006 Spivey, Sr.  
 2006/0254942 A1 11/2006 Cargile, Jr.  
 2006/0273143 A1 12/2006 Finch  
 2007/0039846 A1 2/2007 Spivey, Sr.  
 2007/0051781 A1 3/2007 Holley, Jr.  
 2007/0108261 A1 5/2007 Schuster  
 2007/0137222 A1 6/2007 Kastanek et al.  
 2007/0164091 A1 7/2007 Fogle et al.  
 2007/0181658 A1 8/2007 Sutherland  
 2007/0205255 A1 9/2007 Dunn  
 2007/0284424 A1 12/2007 Holley  
 2007/0295789 A1 12/2007 Ho Fung  
 2008/0083820 A1 4/2008 Walling et al.  
 2008/0099544 A1 5/2008 Skolik  
 2008/0119344 A1 5/2008 Sutherland et al.  
 2009/0236408 A1 9/2009 Spivey, Sr.  
 2009/0255983 A1 10/2009 De Paula et al.  
 2010/0108747 A1 5/2010 Brand  
 2010/0213249 A1 8/2010 Requena et al.  
 2010/0270367 A1 10/2010 Brandenburger  
 2011/0095075 A1 4/2011 Pinkstone  
 2012/0279897 A1 11/2012 Schmal et al.  
 2013/0214036 A1 8/2013 Spivey, Sr. et al.  
 2013/0220873 A1 8/2013 Holley, Jr.  
 2013/0284628 A1 10/2013 Moncrief et al.  
 2014/0260095 A1 9/2014 Oliveira  
 2014/0305826 A1 10/2014 Holley, Jr.  
 2015/0001116 A1 1/2015 Schmal et al.  
 2015/0151888 A1 6/2015 Fitzwater et al.  
 2017/0101240 A1 \* 4/2017 Boersma ..... B65D 71/36

FOREIGN PATENT DOCUMENTS

CA 2 160 145 9/1995  
 CA 118620 12/2007  
 CA 122012 7/2008  
 CA 126100 12/2008  
 CA 129892 12/2009  
 CA 131063 3/2010  
 CA 131481 3/2010  
 CA 132220 5/2010  
 CA 133757 9/2010

(56)

References Cited

FOREIGN PATENT DOCUMENTS

CA	136756	9/2010
CA	166826	10/2016
CA	169768	3/2017
CA	171618	7/2017
DE	1 192 099 B	4/1965
DE	85 14 718.4	6/1985
DE	93 20 302 US1	5/1994
DE	295 04 256 U1	5/1995
DE	296 07 374	4/1996
DE	201 12 228	11/2002
DE	20 2004 018 649	4/2005
EP	0 341 089	11/1989
EP	0 412 226	2/1991
EP	0 473 266	3/1992
EP	0 475 147 A1	3/1992
EP	1 260 448 A1	11/2002
EP	1 262 417 A2	12/2002
EP	1 518 792	3/2005
EP	1 612 157	1/2006
EP	1 661 813 A1	5/2006
FR	1 494 239	9/1967
FR	2.163.317	7/1973
FR	2 163 317 A1	7/1973
FR	2 549 010 A1	1/1985
FR	2 579 175	9/1986
FR	2 581 970 A1	11/1986
GB	1 317 667	5/1973
JP	06-32320	4/1994
JP	8-503187	4/1996
JP	2005-507831	3/2005
KR	20-0356729	7/2004
WO	WO 94/10047	5/1994
WO	WO 96/27538	9/1996
WO	WO 96/29260 A1	9/1996
WO	WO 98/39220 A1	9/1998
WO	WO 99/28207	6/1999
WO	WO 99/64301 A1	12/1999
WO	WO 00/78618	12/2000
WO	WO 01/66434	9/2001
WO	WO 02/30785 A1	4/2002

WO	WO 03/037742	5/2003
WO	WO 03/082686 A1	10/2003
WO	WO 2004/043790 A2	5/2004
WO	WO 2005/080218	9/2005
WO	WO 2005/123532	12/2005
WO	WO 2007/089282	8/2007
WO	WO 2010/014438	2/2010
WO	WO 2013/177072 A1	11/2013
WO	WO 2014/186259 A1	11/2014
WO	WO 2016/069534 A1	5/2016
WO	WO 2016/099969 A1	6/2016

OTHER PUBLICATIONS

Deline Box and Display. Produce Packaging. 2017 [earliest online date], [site visited Aug. 9, 2017]. Available from Internet, <URL:http://www.delinebox.com/success-stories/produce>.\*

Curved Corners. Fancy Packaging. Apr. 8, 2016 [earliest online date], [site visited Nov. 7, 2017]. Available from Internet, <URL:http://nextindustry.net/curved-angles-fancy-packaging/>. (Year: 2016).\*

Youtube. Bent Plywood in 7 Easy Steps by prusso37. Apr. 7, 2009 [earliest online date], [site visited Nov. 7, 2017]. Available from Internet, <URL:https://www.youtube.com/watch?v=TX4eLwJ8fcw>. (Year: 2009).\*

Youtube. Curved Box Joint by Matthias Wandel. Sep. 16, 2016 [earliest online date], [site visited Nov. 7, 2017]. Available from Internet, <URL:https://www.youtube.com/watch?v=VtQ447rQx\_o>. (Year: 2016).\*

Amazon. Eduplay 210201 Bastelset für Kinder: Koffer. Jul. 16, 2015 [earliest online date], [site visited Nov. 7, 2017]. Available from Internet, <URL:https://www.amazon.de/EDUPLAY-Eduplay-Kinderkoffer-zum-Selbstgestalten/dp/B06Y37T66Y?language=en\_GB>. (Year: 2015).\*

European Search Report for EP 16 19 3052 dated Jan. 30, 2017.

European Search Report for EP 17 19 6117 dated Jan. 9, 2018.

Office Action for CA 173288 dated Mar. 20, 2018.

Office Action for CA 178318 dated Mar. 20, 2018.

Office Action for CA 178319 dated Mar. 20, 2018.

Office Action for CA 178320 dated Mar. 20, 2018.

\* cited by examiner

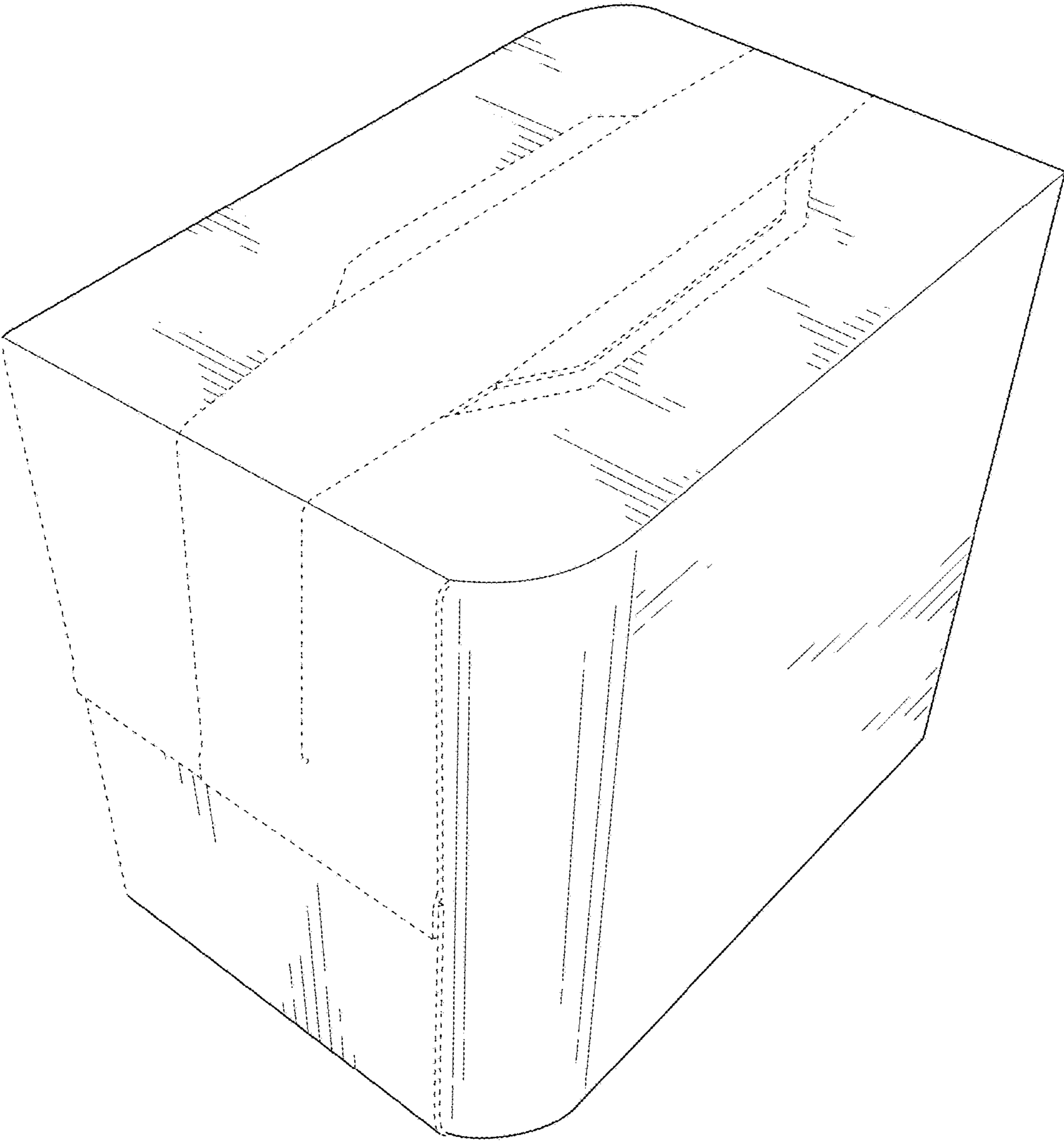
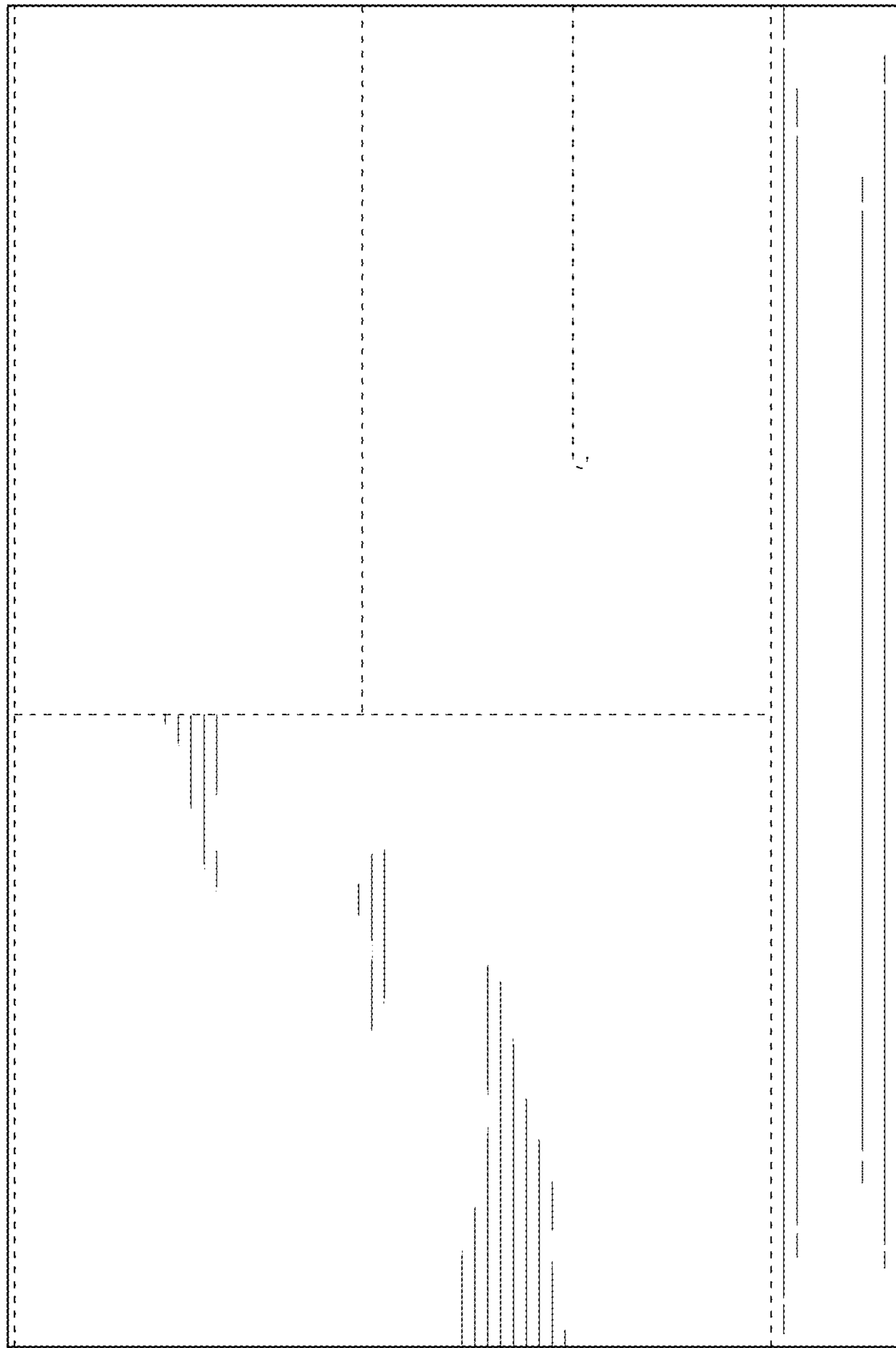


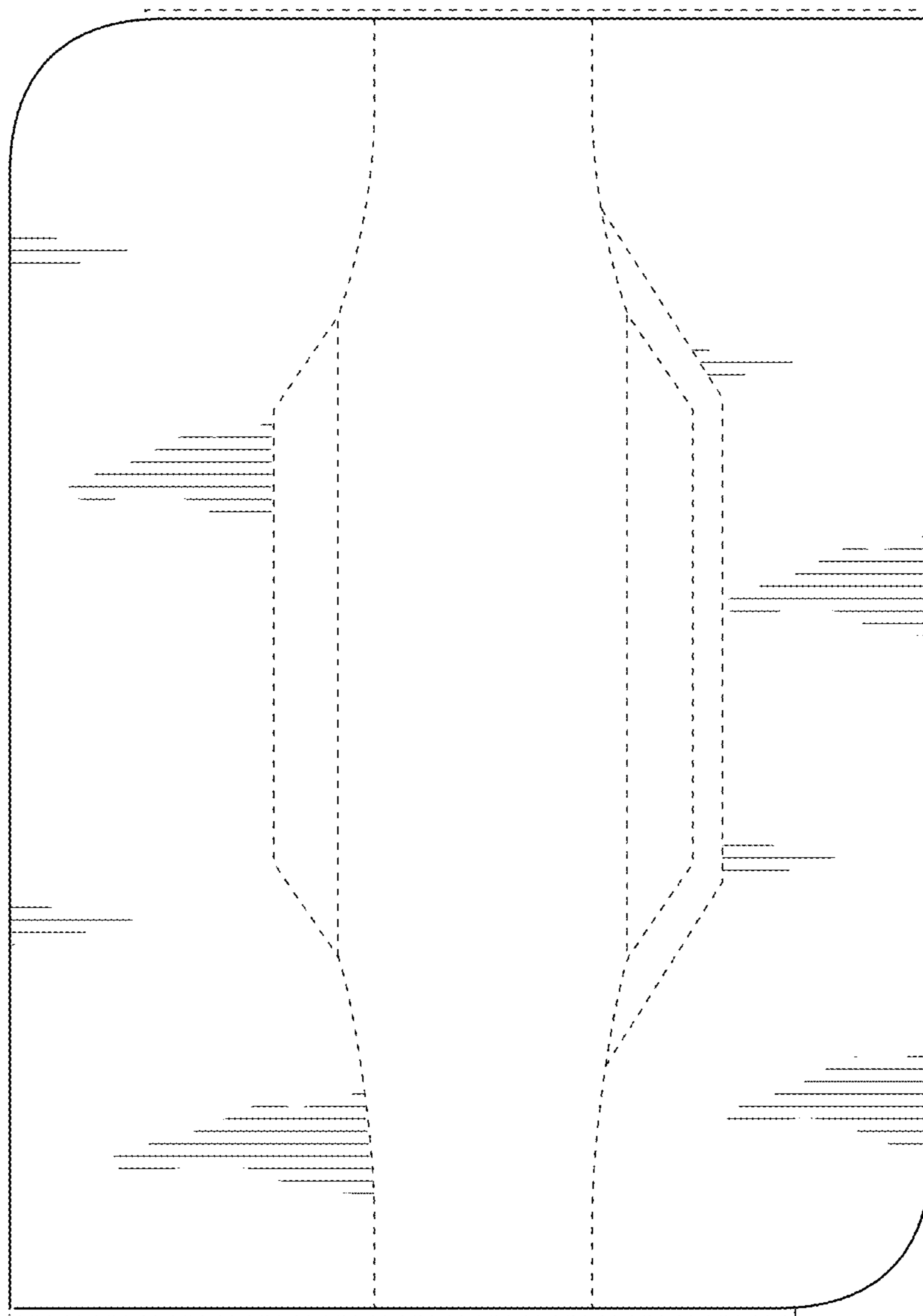
FIG. 1



**FIG. 2**

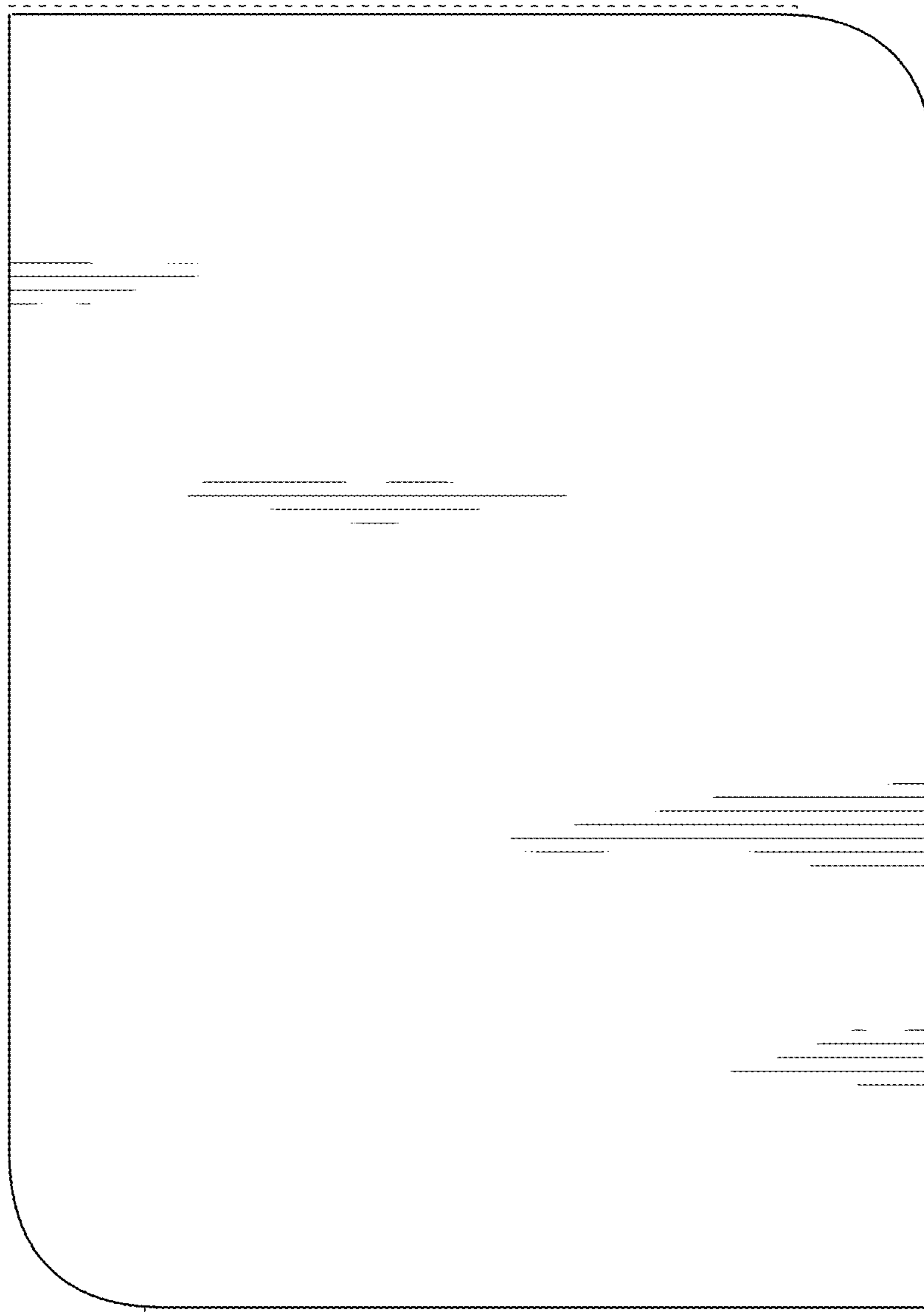


FIG. 3



**FIG. 4**





**FIG. 5**