



US00D826709S

(12) **United States Design Patent** (10) **Patent No.:** **US D826,709 S**  
**Mei** (45) **Date of Patent:** **\*\* Aug. 28, 2018**

(54) **CONTAINER**  
(71) Applicant: **TAISHAN RUNCHENG PLASTICS CO., LTD**, Taishan (CN)  
(72) Inventor: **Jingjian Mei**, Taishan (CN)  
(73) Assignee: **TAISHAN RUNCHENG PLASTICS CO., LTD** (CN)  
(\*\*) Term: **15 Years**  
(21) Appl. No.: **29/580,684**  
(22) Filed: **Oct. 12, 2016**  
(51) **LOC (11) Cl.** ..... **09-03**  
(52) **U.S. Cl.**  
USPC ..... **D9/426**  
(58) **Field of Classification Search**  
USPC ..... D7/396.1, 538-545, 602, 608, 629;  
D9/414, 420, 424-429, 432, 761;  
D24/176; 206/499, 508, 557; 220/23.4,  
220/23.6, 315, 500, 659, 669, 674, 675,  
220/696, 752, 760, 790, 793; 229/105,  
229/117.09, 117.26, 189, 406, 407, 902,  
229/905  
CPC ... B65D 1/26; B65D 1/34; B65D 1/36; B65D  
1/40; B65D 1/0223; B65D 25/04; B65D  
43/0212  
See application file for complete search history.

2004/0134910 A1\* 7/2004 Colombo ..... B65D 43/164  
220/4.23  
2010/0072217 A1\* 3/2010 Parikh ..... B65D 43/16  
220/833  
2010/0102074 A1\* 4/2010 Parikh ..... B65D 43/0254  
220/810  
2012/0031921 A1\* 2/2012 Cadiente ..... B65D 43/162  
220/835

\* cited by examiner

*Primary Examiner* — Derrick E Holland  
*Assistant Examiner* — Janice Julia Patyk  
(74) *Attorney, Agent, or Firm* — Schmeiser, Olsen & Watts, LLP

(57) **CLAIM**

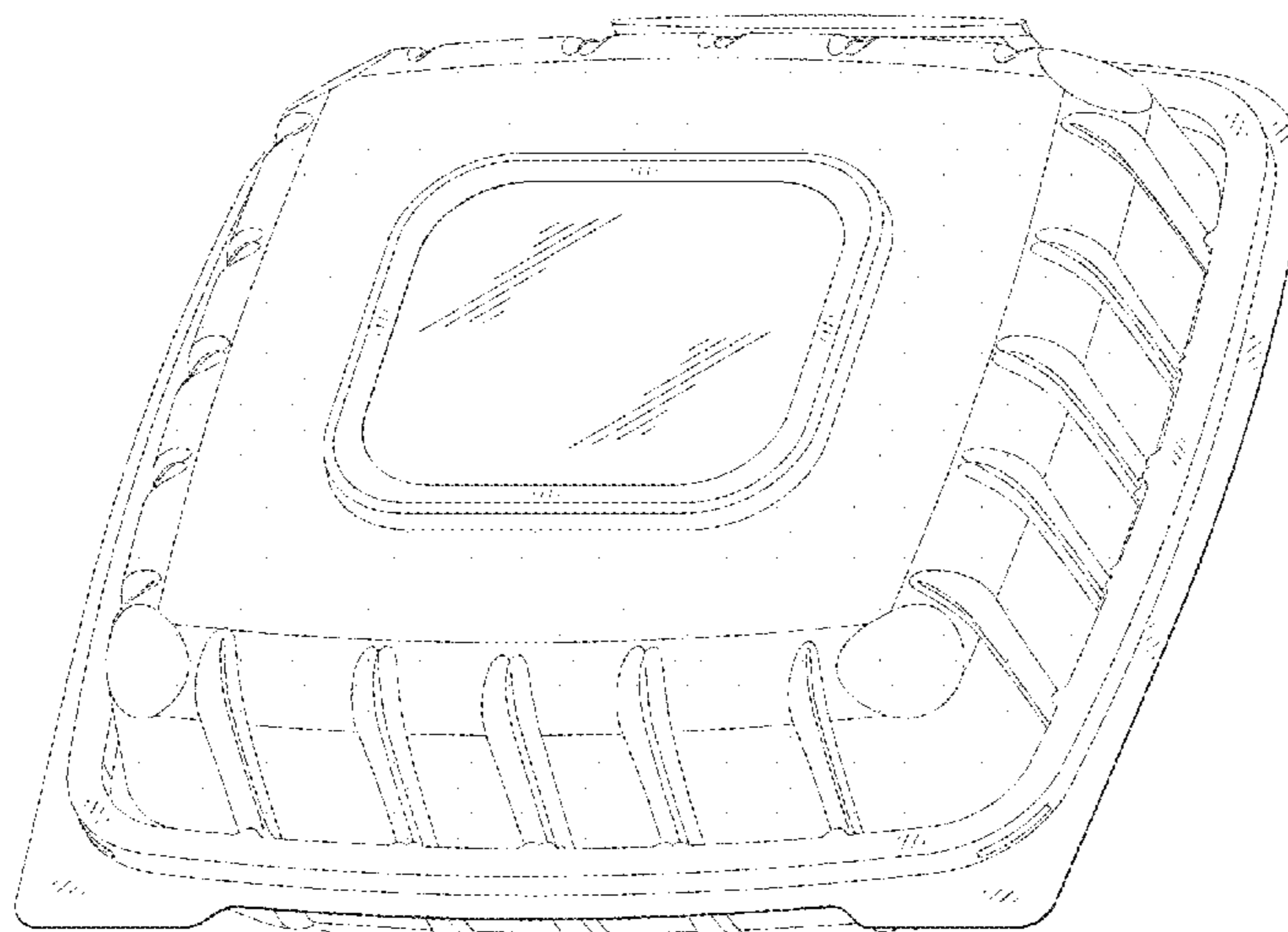
The ornamental design for a container, as shown and described.

**DESCRIPTION**

FIG. 1 is a top front perspective view of a container showing my new design;  
FIG. 2 is a top view thereof;  
FIG. 3 is a bottom view thereof;  
FIG. 4 is a side view thereof, the opposite side view being a mirror image thereof;  
FIG. 5 is a back view thereof;  
FIG. 6 is a front view thereof;  
FIG. 7 is a bottom front perspective view thereof;  
FIG. 8 is a top perspective view therefore, shown in opened condition;  
FIG. 9 is a partially enlarged bottom view therefore, taken from FIG. 3; and,  
FIG. 10 is a partially enlarged top perspective view therefore, shown in opened condition, taken from FIG. 8.  
The dot-dash broken lines of FIGS. 3 and 8-10 are included to show partially enlarged views only and form no part of the claimed design.

**1 Claim, 10 Drawing Sheets**

(56) **References Cited**  
U.S. PATENT DOCUMENTS  
D408,734 S \* 4/1999 McCann ..... D9/423  
D601,014 S \* 9/2009 Petitjean ..... D9/426  
7,597,206 B2 \* 10/2009 Atkins ..... B65D 1/36  
220/324  
D749,412 S \* 2/2016 Hu ..... D9/426  
D793,811 S \* 8/2017 Ng ..... D7/540



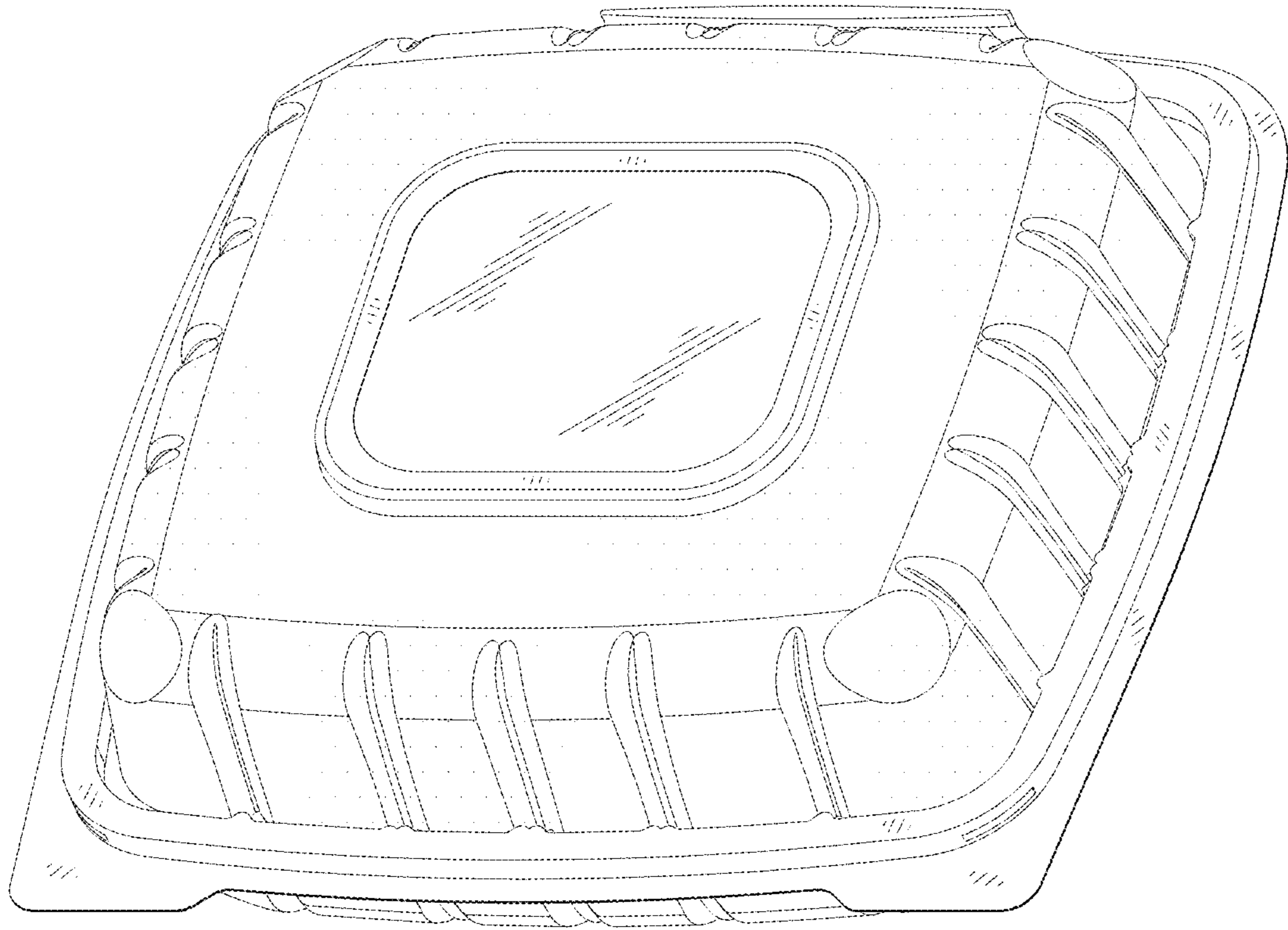


FIG. 1

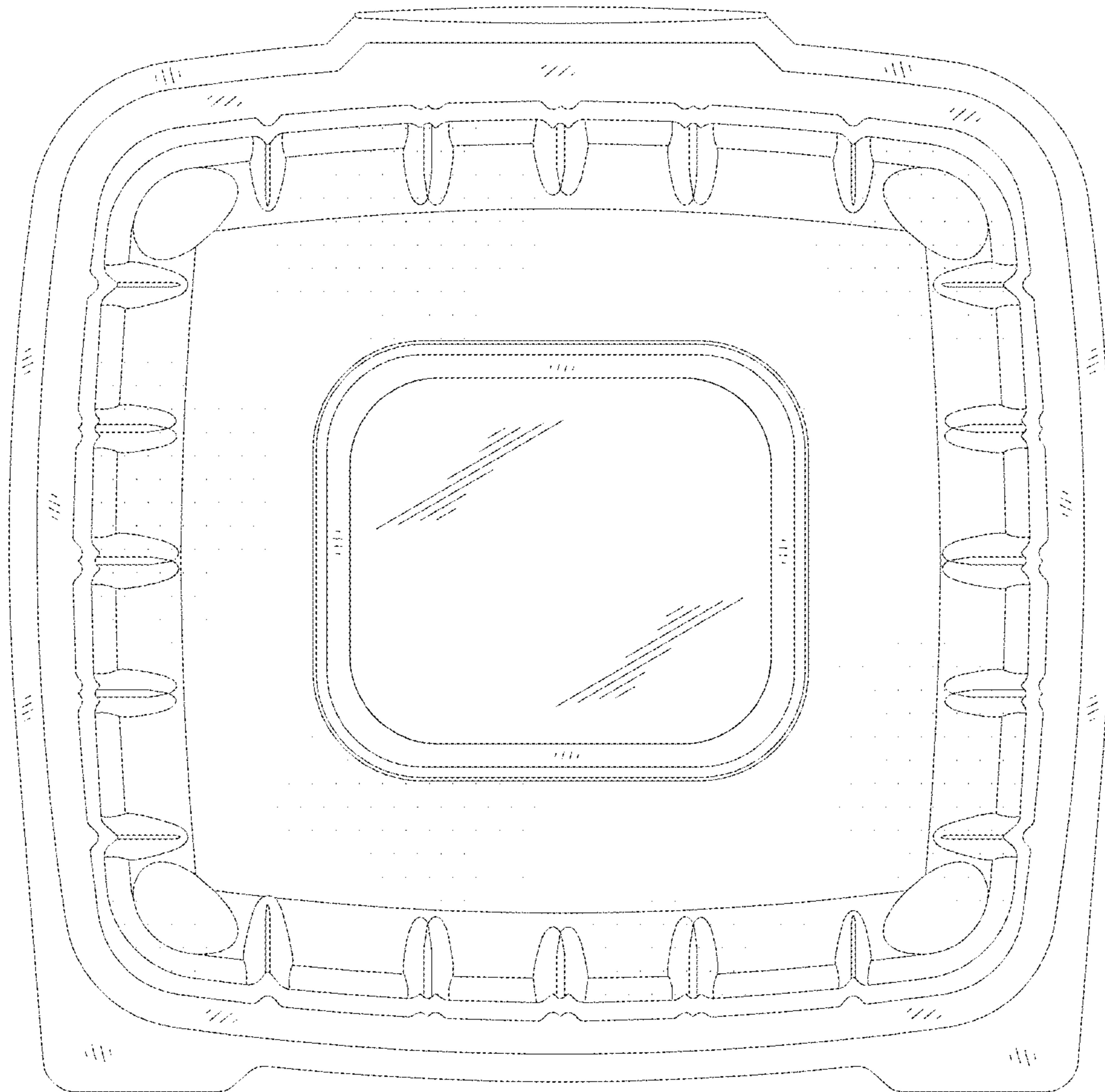
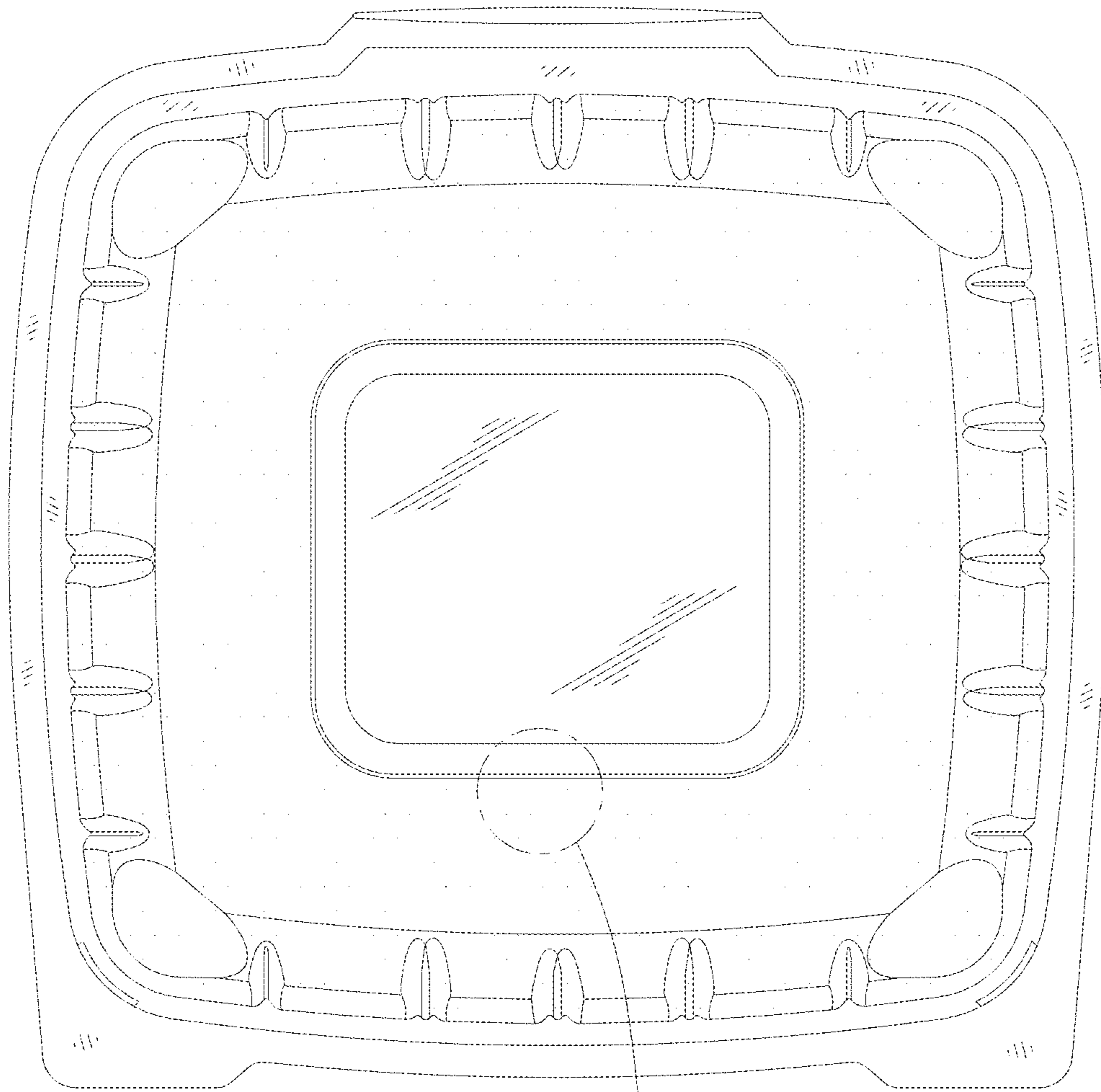


FIG. 2



See FIG.9

FIG.3

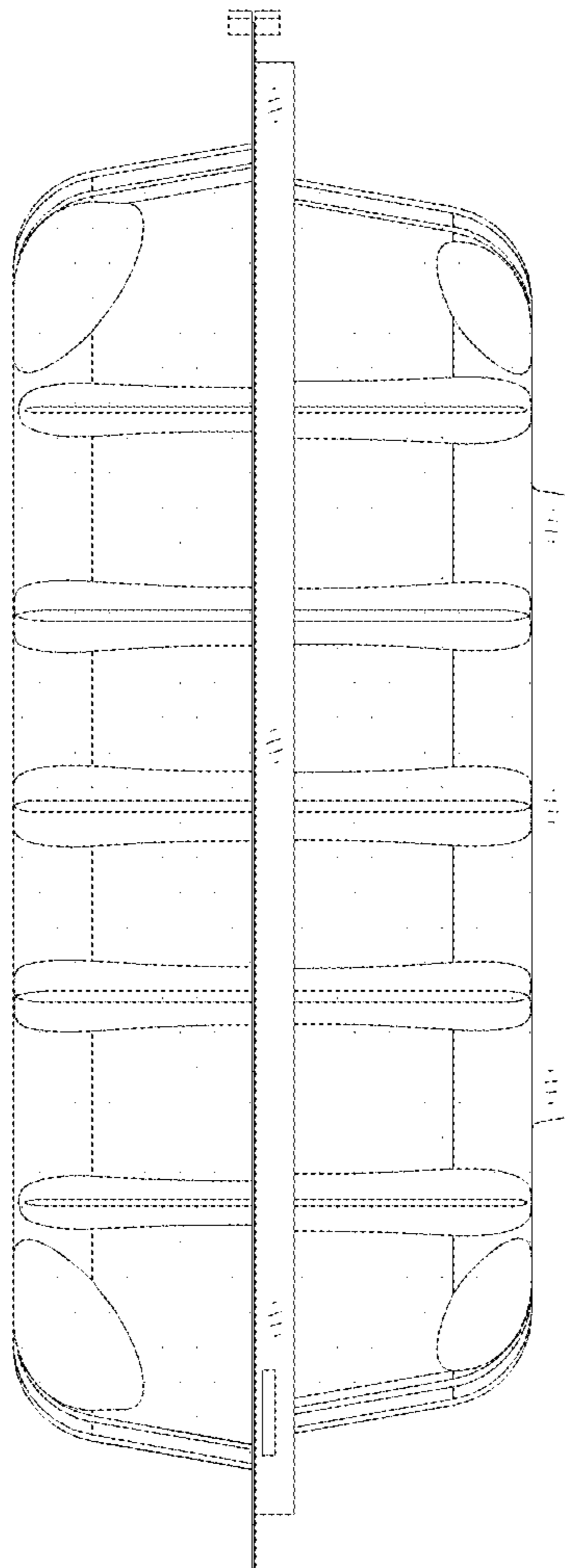


FIG. 4

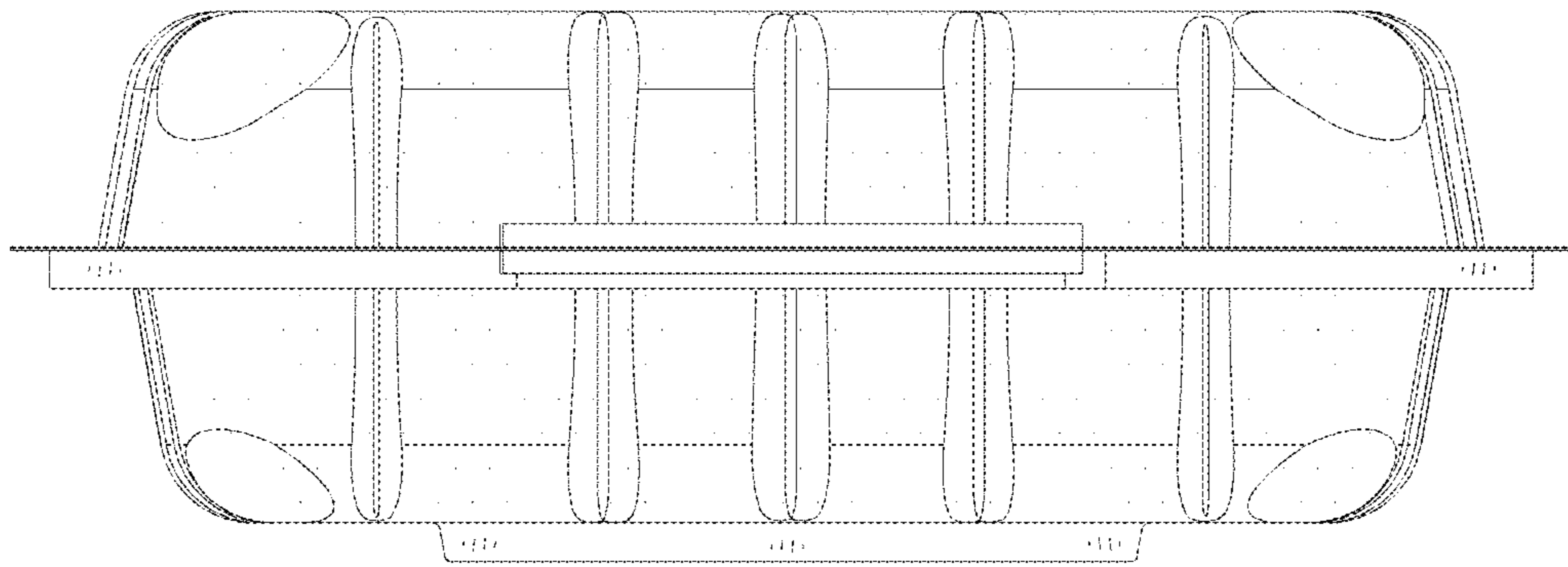


FIG. 5

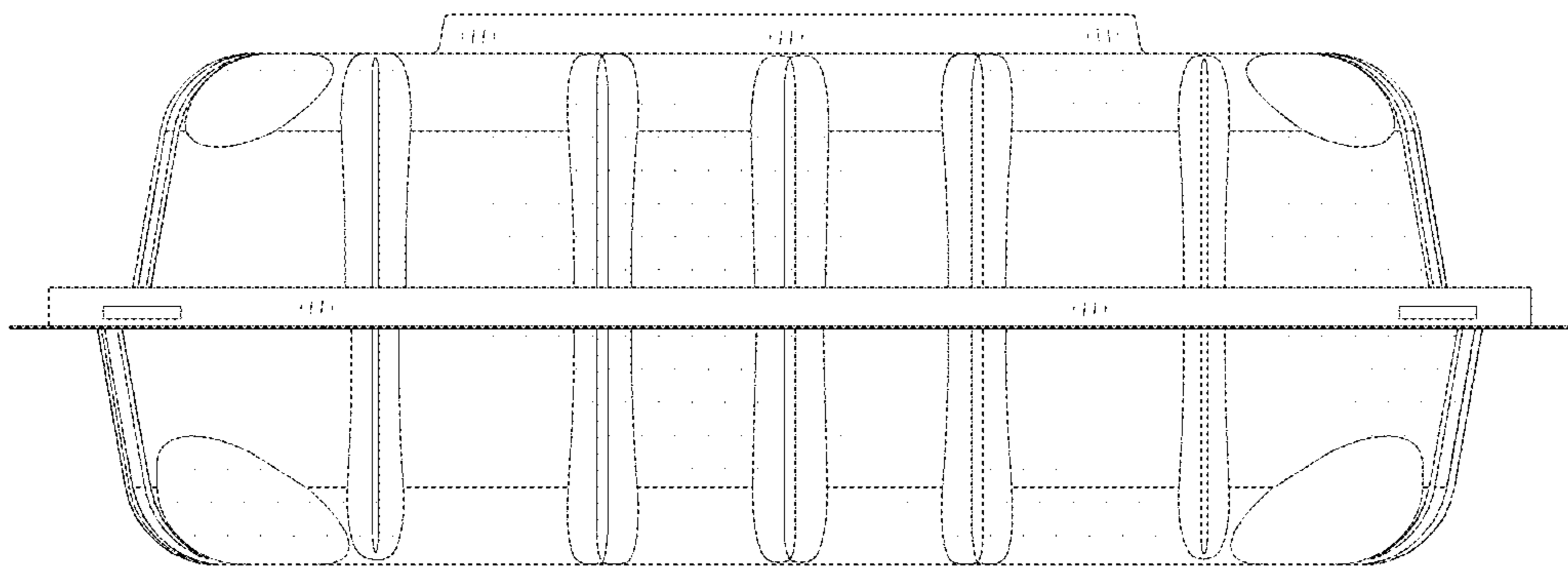


FIG. 6

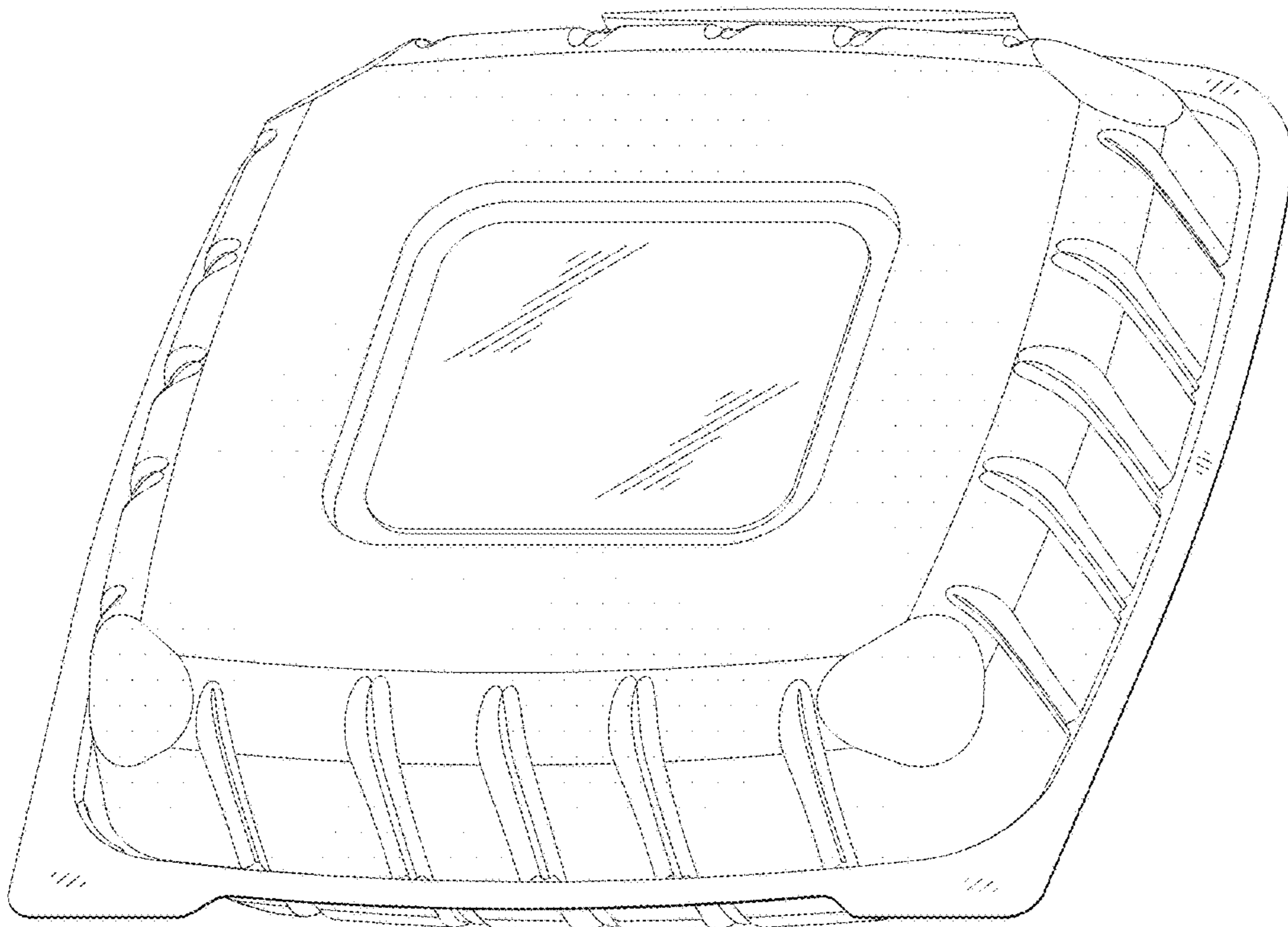


FIG. 7



See FIG.10

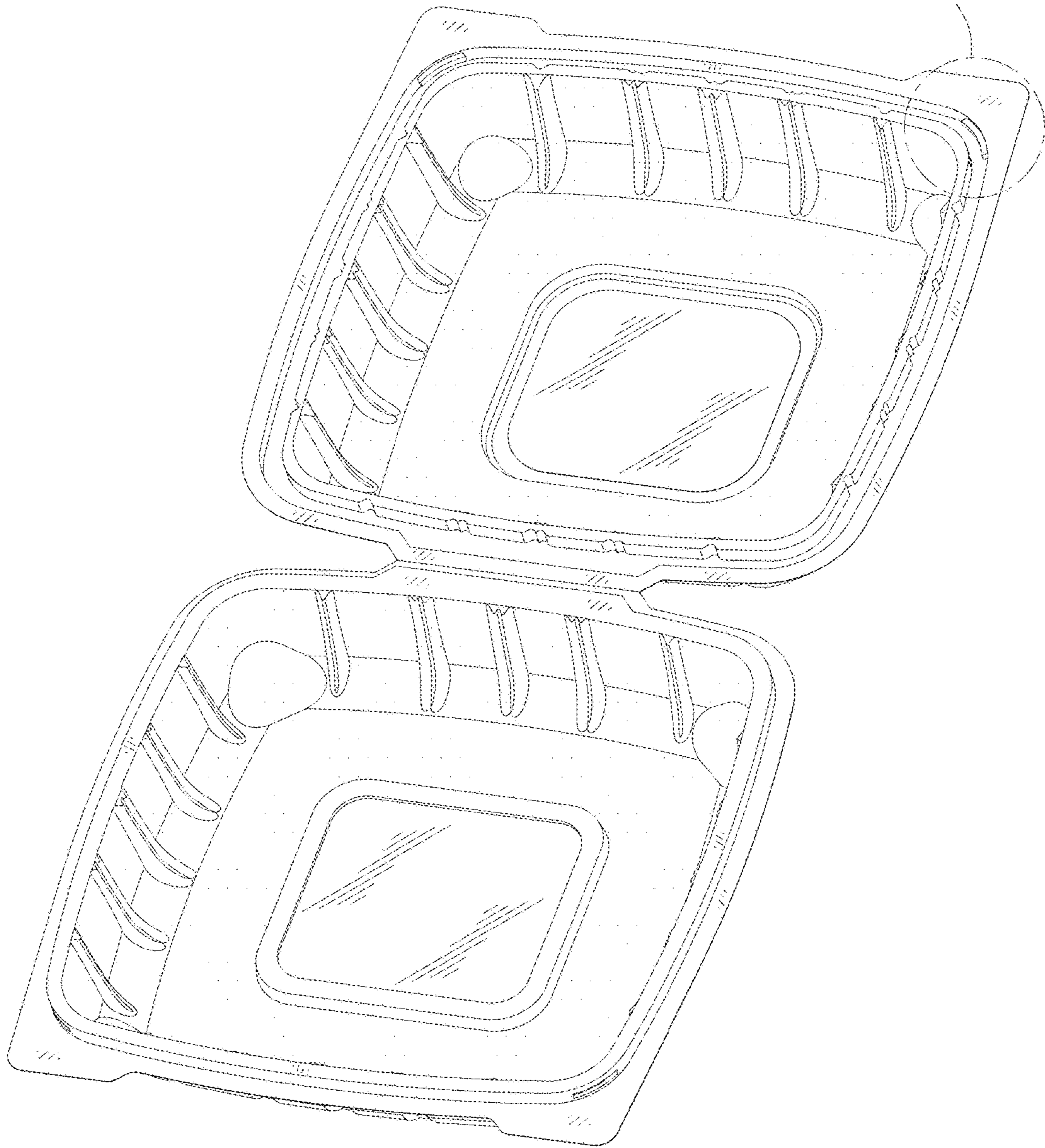


FIG.8

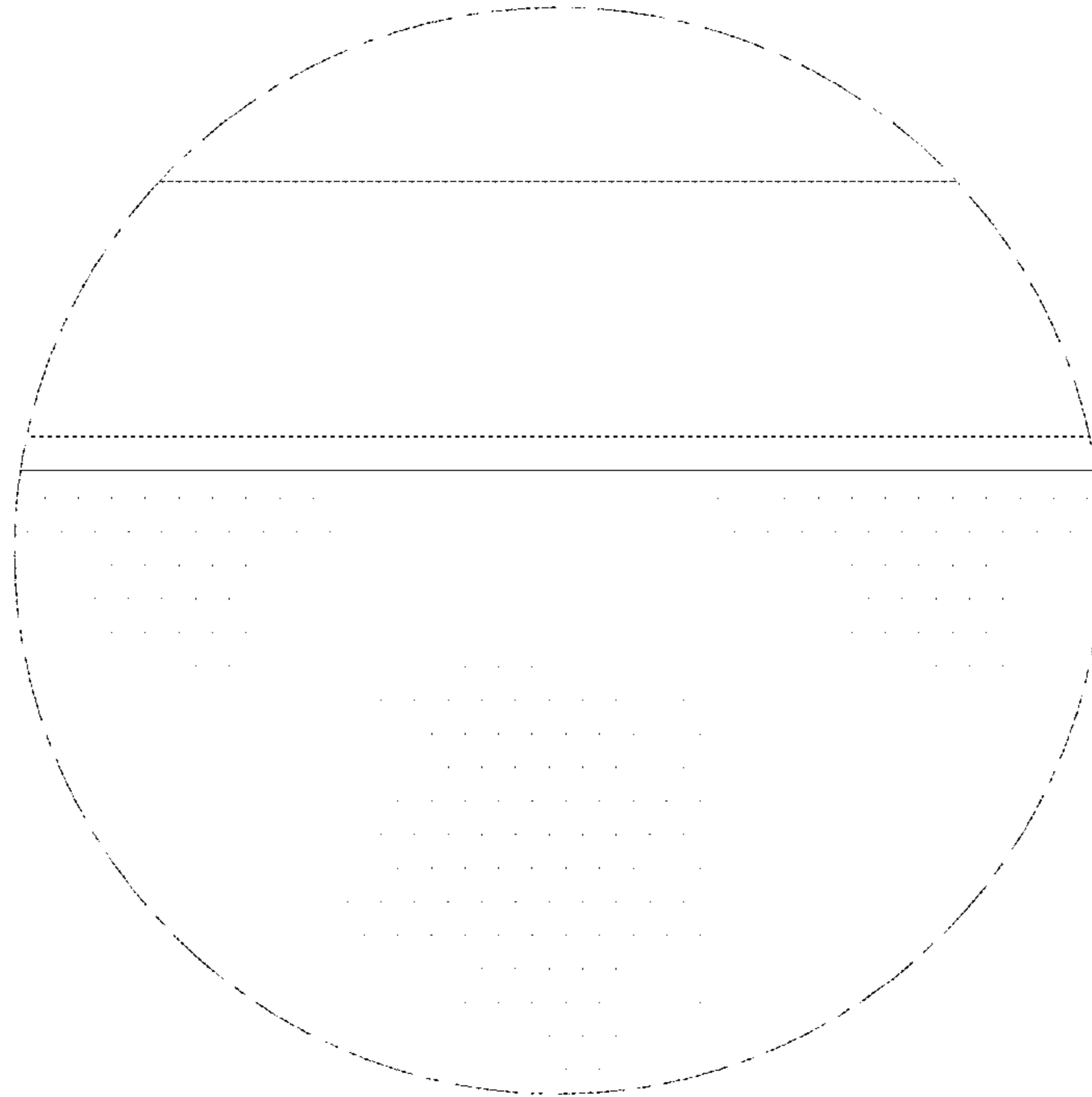


FIG. 9

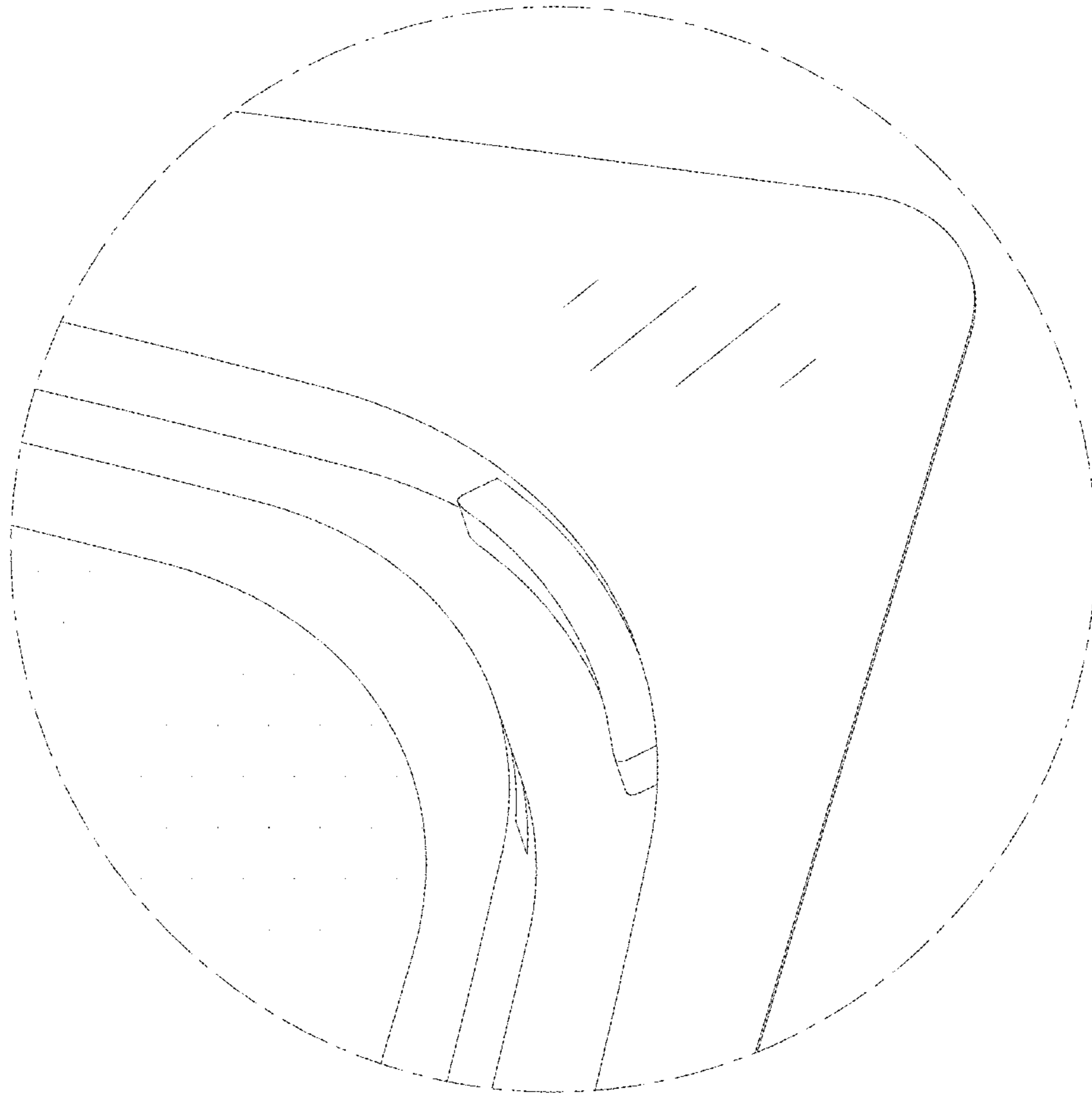


FIG. 10