



US00D826707S

(12) **United States Design Patent**
Sanfilippo et al.

(10) **Patent No.:** **US D826,707 S**

(45) **Date of Patent:** **** Aug. 28, 2018**

(54) **PACKAGE**

(71) Applicant: **PRIMAPAK, LLC**, Elgin, IL (US)

(72) Inventors: **James J. Sanfilippo**, Barrington Hills, IL (US); **Milorad Radenovic**, Chicago, IL (US)

(73) Assignee: **PRIMAPAK, LLC**, Elgin, IL (US)

(**) Term: **15 Years**

(21) Appl. No.: **29/581,925**

(22) Filed: **Oct. 24, 2016**

(51) **LOC (11) Cl.** **09-03**

(52) **U.S. Cl.**
USPC **D9/416**

(58) **Field of Classification Search**
USPC D9/414, 416, 420, 422, 423, 432, 734, D9/449, 450
CPC B65D 75/5838; B29C 65/76
See application file for complete search history.

(56) **References Cited**

U.S. PATENT DOCUMENTS

4,790,436	A *	12/1988	Nakamura	B65D 83/0805
					206/449
4,798,295	A *	1/1989	Rausing	B65D 5/708
					229/229
D725,467	S	3/2015	Sanfilippo et al.		
D739,232	S	9/2015	Sanfilippo et al.		
D746,673	S *	1/2016	Sanfilippo	D9/416
D747,646	S *	1/2016	Sanfilippo	D9/416
D764,903	S *	8/2016	Sanfilippo	D9/416
D764,914	S *	8/2016	Sanfilippo	D9/435
D766,082	S *	9/2016	Sanfilippo	D9/434
D778,721	S *	2/2017	Sanfilippo	D9/416

(Continued)

OTHER PUBLICATIONS

Design U.S. Appl. No. 29/440,136, Package, filed Dec. 19, 2012.

Design U.S. Appl. No. 29/472,436, Package, filed Nov. 12, 2013.
Design U.S. Appl. No. 29/509,410, Package, filed Nov. 17, 2014.

Primary Examiner — Lauren R Calve

(74) *Attorney, Agent, or Firm* — Marshall, Gerstein & Borun LLP

(57) **CLAIM**

The ornamental design for a package, as shown and described.

DESCRIPTION

FIG. 1 is a front, right-side, and top view of a package showing the new design, with the package in a closed position.

FIG. 2 is a top plan view of the package.

FIG. 3 is a front elevation view of the package.

FIG. 4 is a right-side elevation view of the package.

FIG. 5 is a rear elevation view of the package.

FIG. 6 is a left-side elevation view of the package.

FIG. 7 is a bottom plan view of the package.

FIG. 8 is a front, bottom, and right-side view of the package.

FIG. 9 is a front, top, and left-side view of the package.

FIG. 10 is a front, right-side, and top view of the package in an open position.

FIG. 11 is a top plan view of the package.

FIG. 12 is a front elevation view of the package.

FIG. 13 is a right-side elevation view of the package.

FIG. 14 is a rear elevation view of the package.

FIG. 15 is a left-side elevation view of the package.

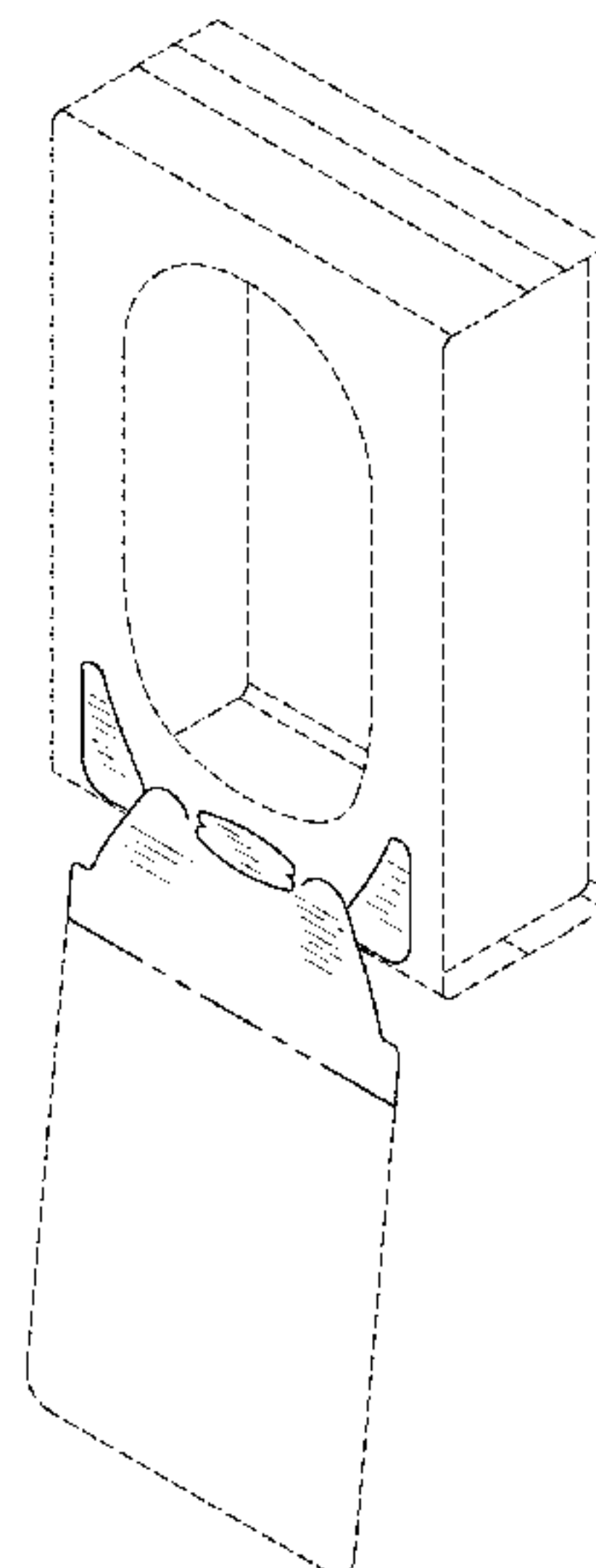
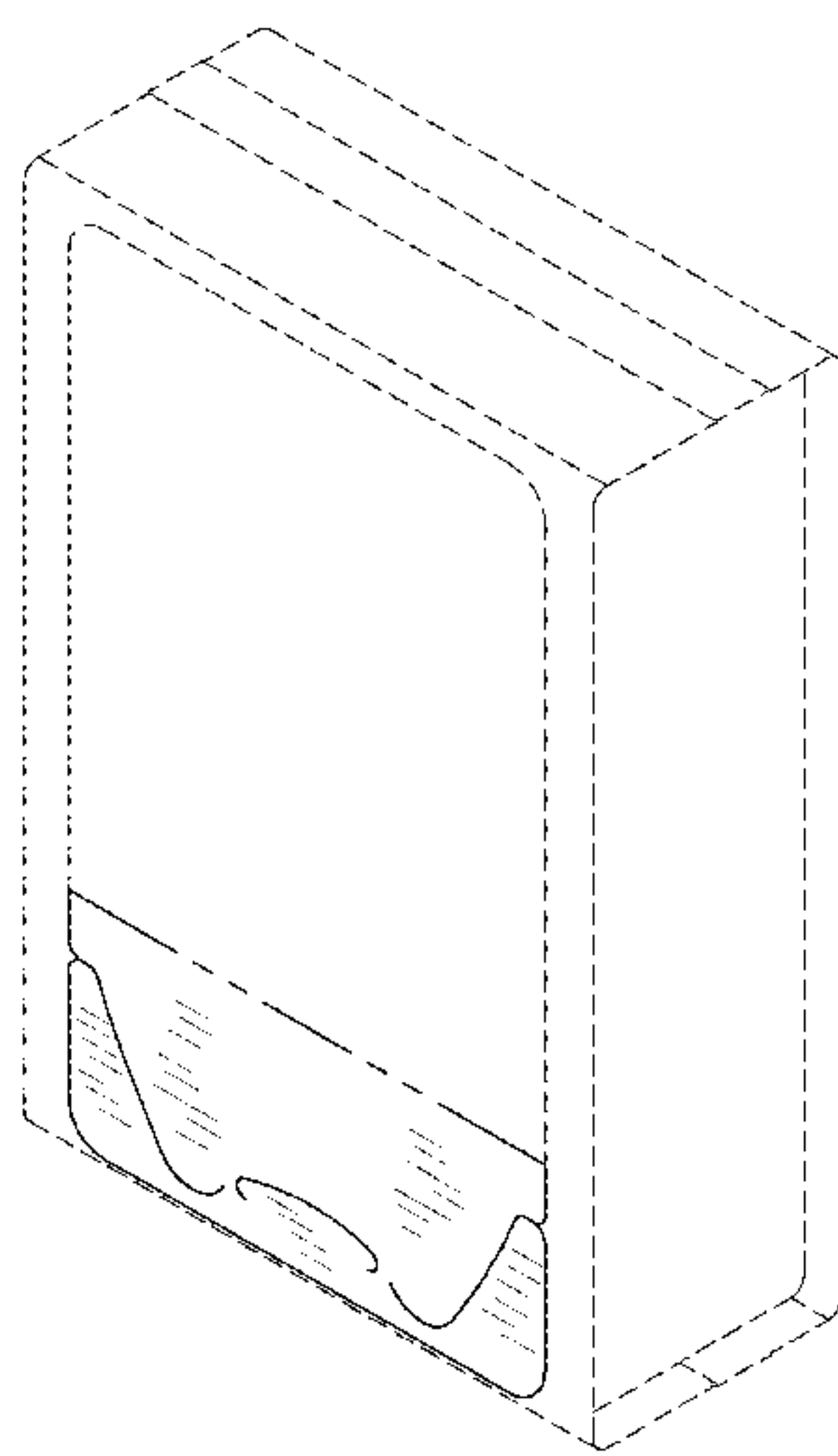
FIG. 16 is a bottom plan view of the package.

FIG. 17 is a front, bottom, and right-side view of the package; and,

FIG. 18 is a front, top, and left-side view of the package.

The broken lines represent elements of the package that form no part of the claimed design. The long dash-short dash-short dash lines shown in the figures represent a boundary of the claimed design that forms no part of the claimed design.

1 Claim, 8 Drawing Sheets



(56)

References Cited

U.S. PATENT DOCUMENTS

D787,319 S * 5/2017 Sanfilippo D9/423
D798,147 S * 9/2017 Sanfilippo D9/438
D806,536 S * 1/2018 Kato D9/432
2001/0040107 A1* 11/2001 Tourre B65D 75/5833
206/233
2009/0028472 A1* 1/2009 Andersson B65D 75/44
383/205
2010/0018974 A1* 1/2010 Lyzenga B65D 75/5838
220/214
2010/0154264 A1* 6/2010 Scott B65D 75/5838
40/630
2016/0122109 A1* 5/2016 Clark B65D 75/5838
220/23.4
2017/0036835 A1* 2/2017 Duncan B65D 75/5838
2017/0355503 A1* 12/2017 Halgren B29C 65/76

* cited by examiner

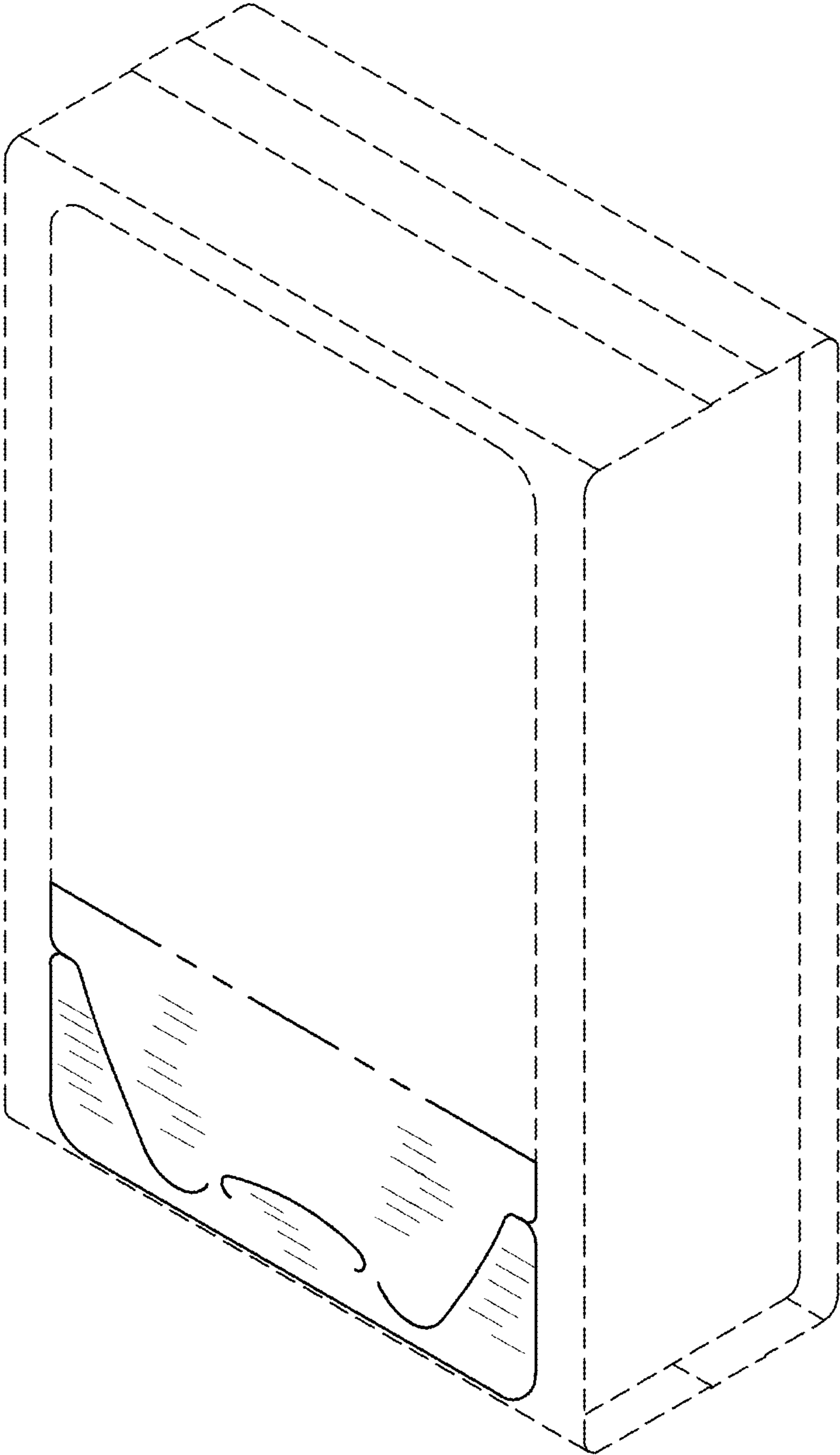


FIG. 1

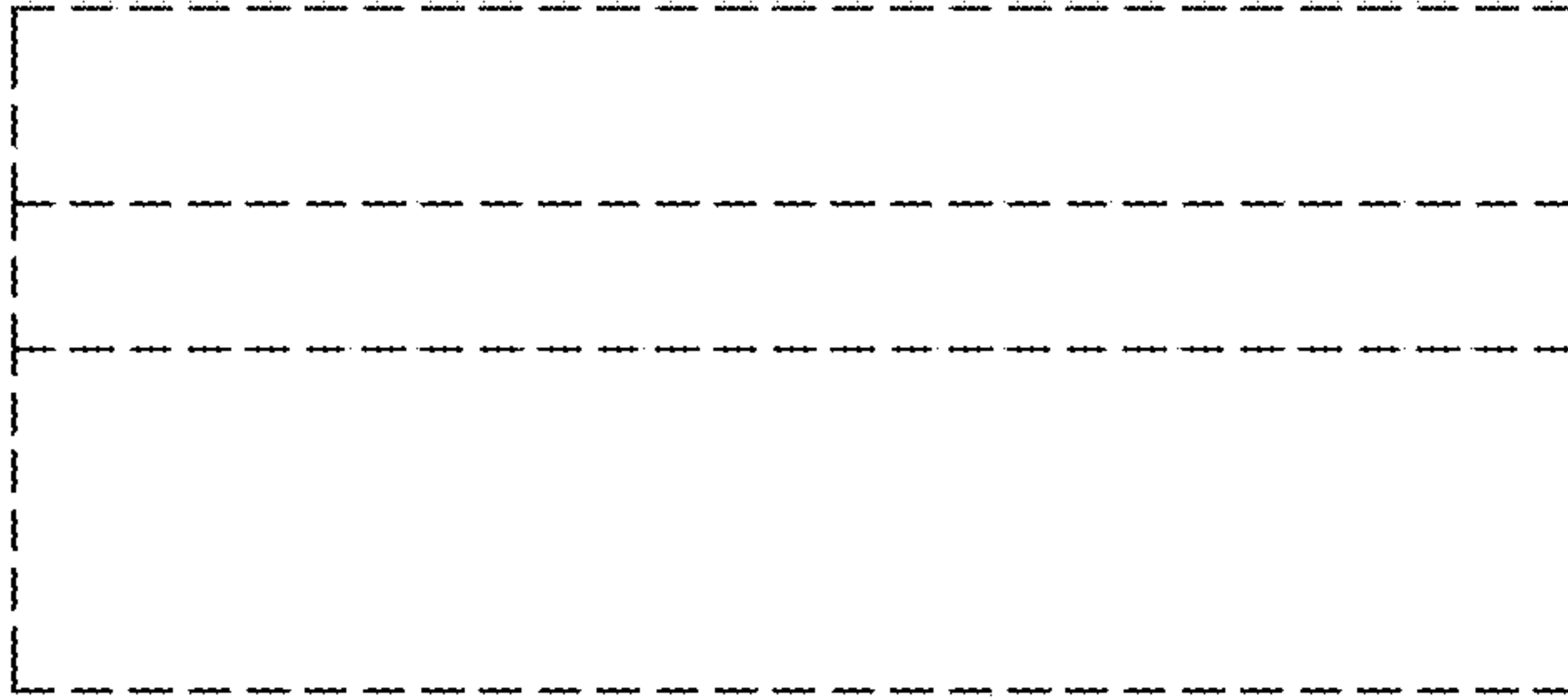


FIG. 2

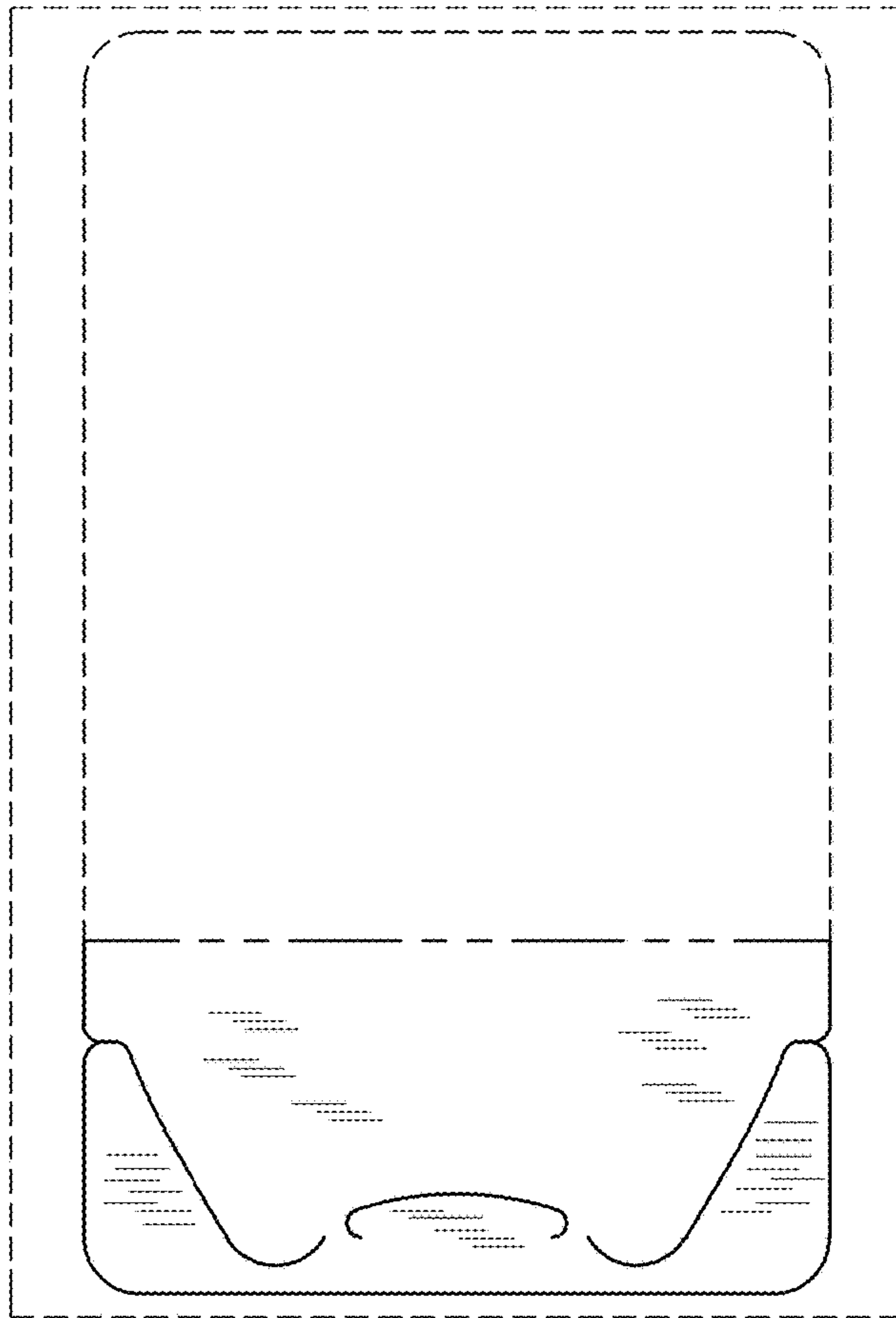


FIG. 3

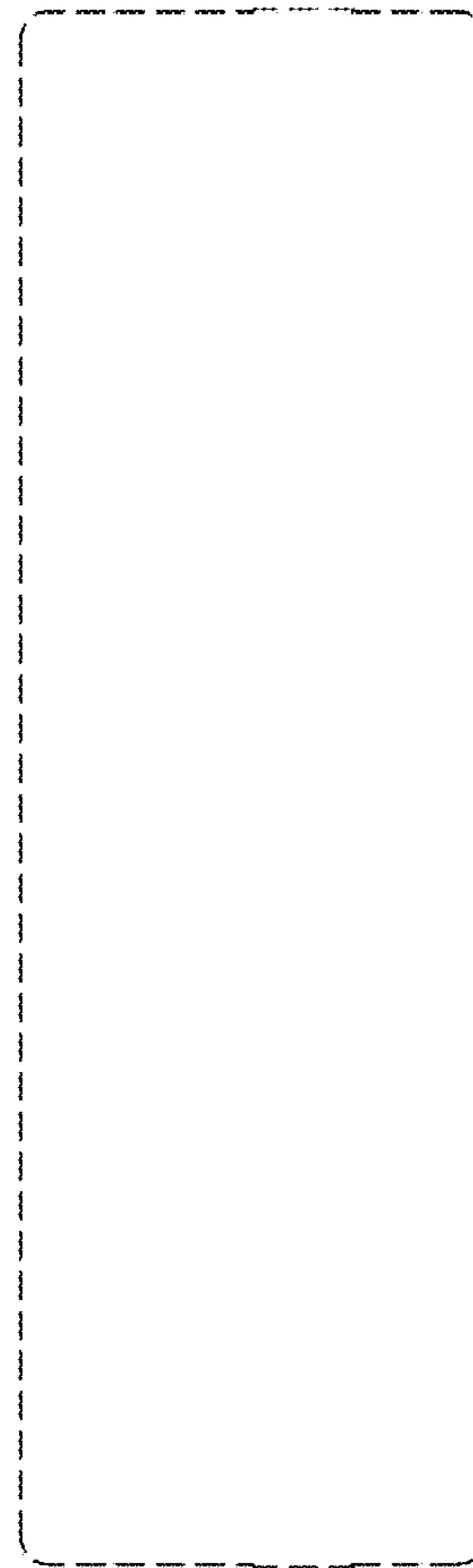


FIG. 4

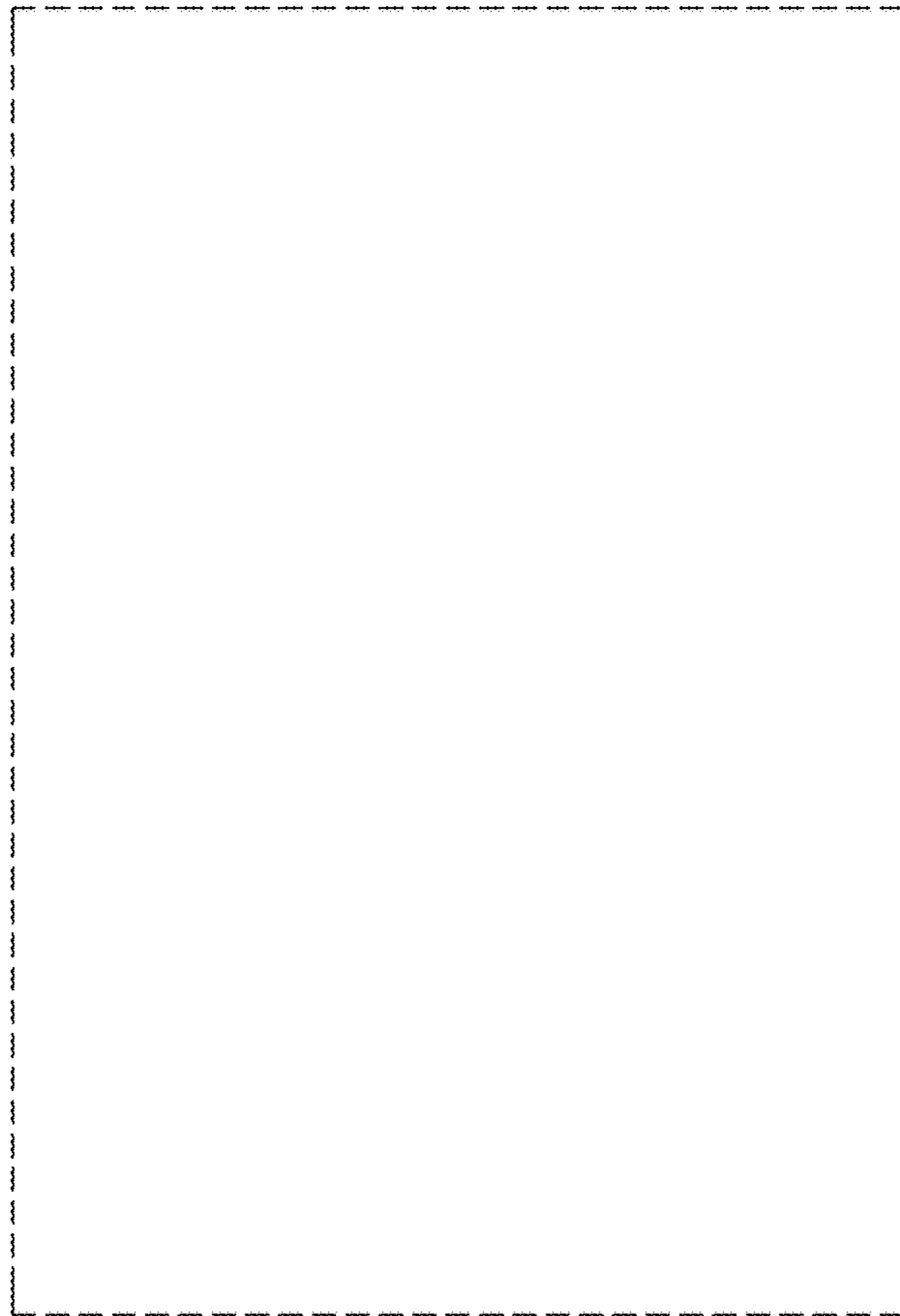


FIG. 5

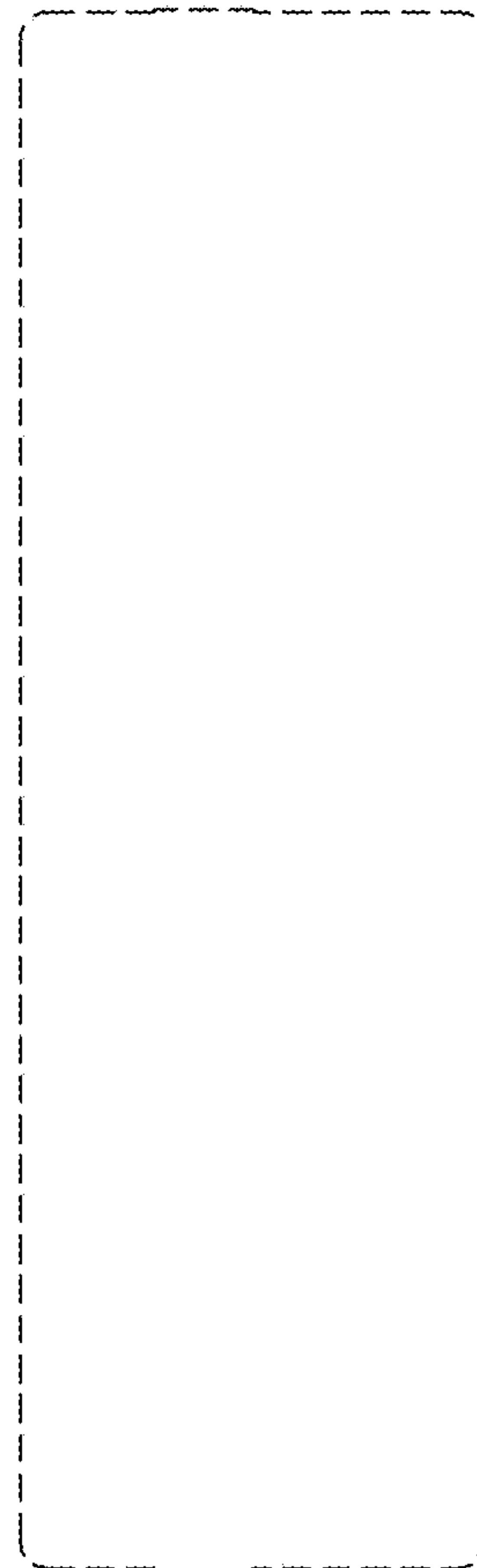


FIG. 6

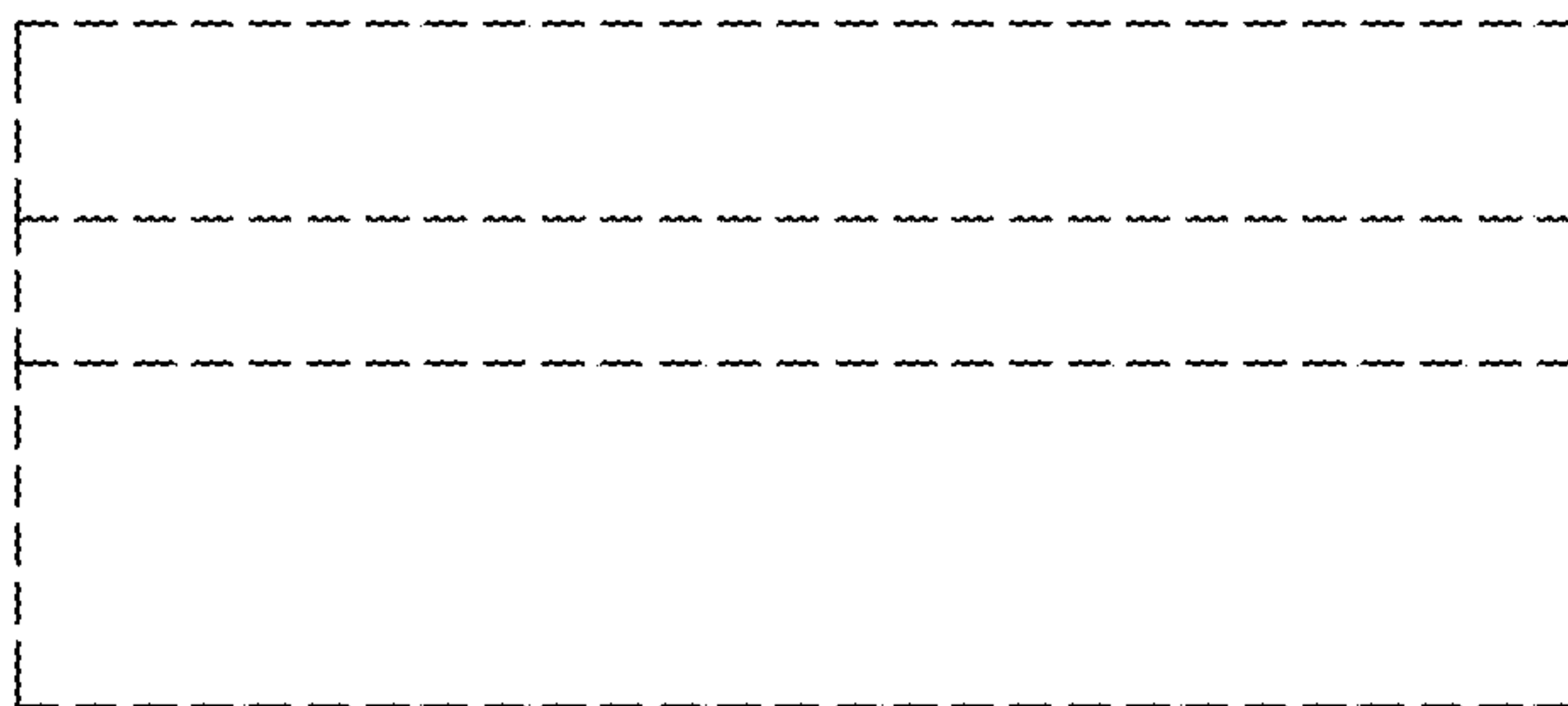


FIG. 7

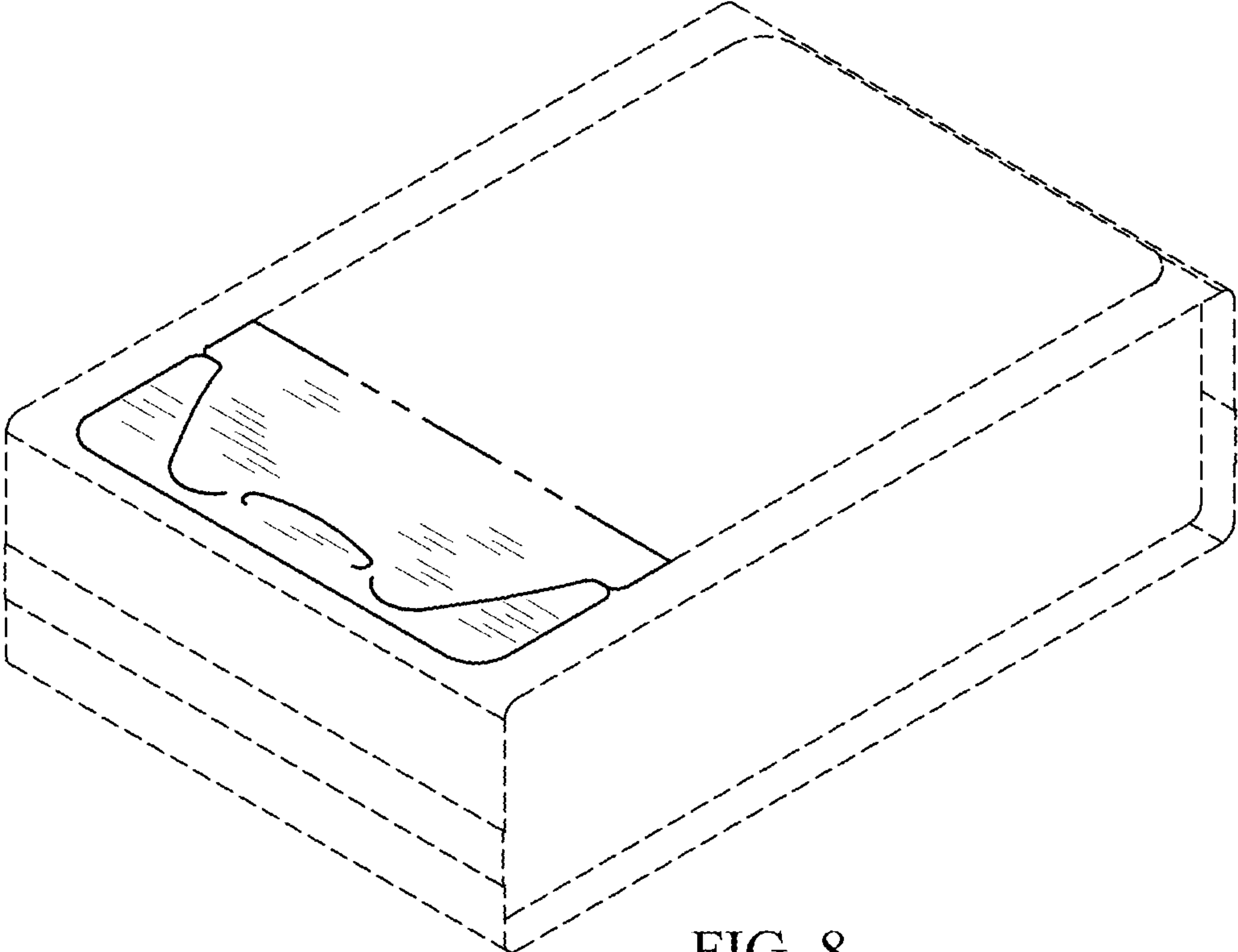


FIG. 8

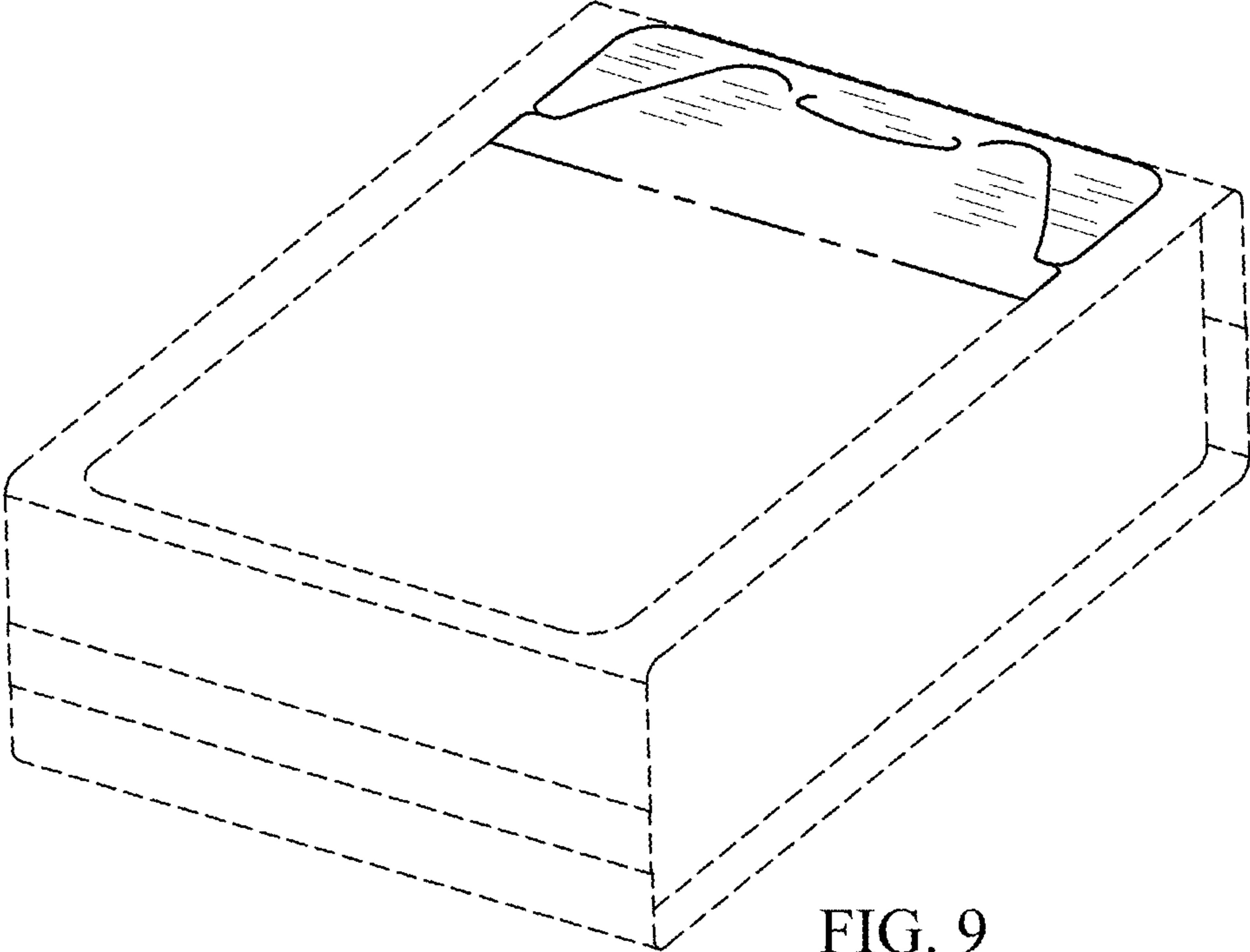


FIG. 9

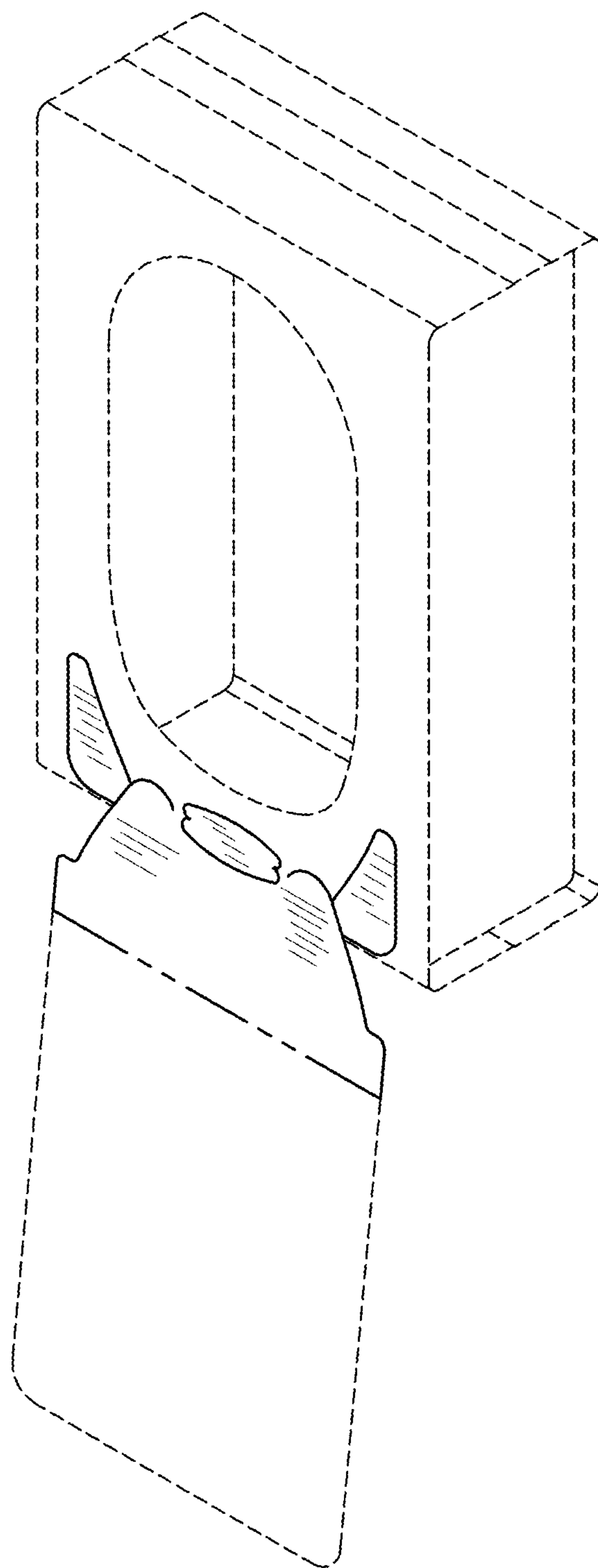


FIG. 10

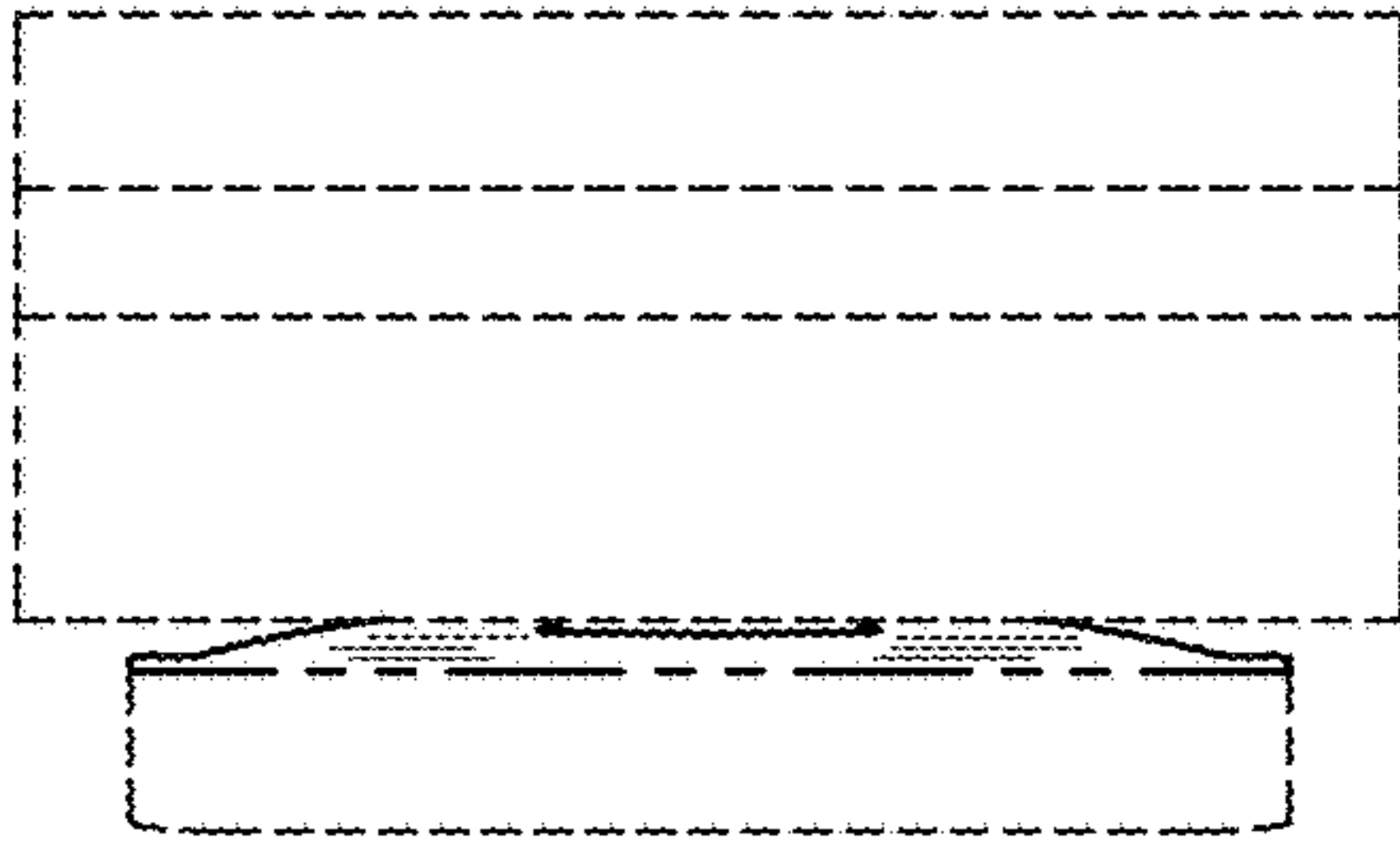


FIG. 11

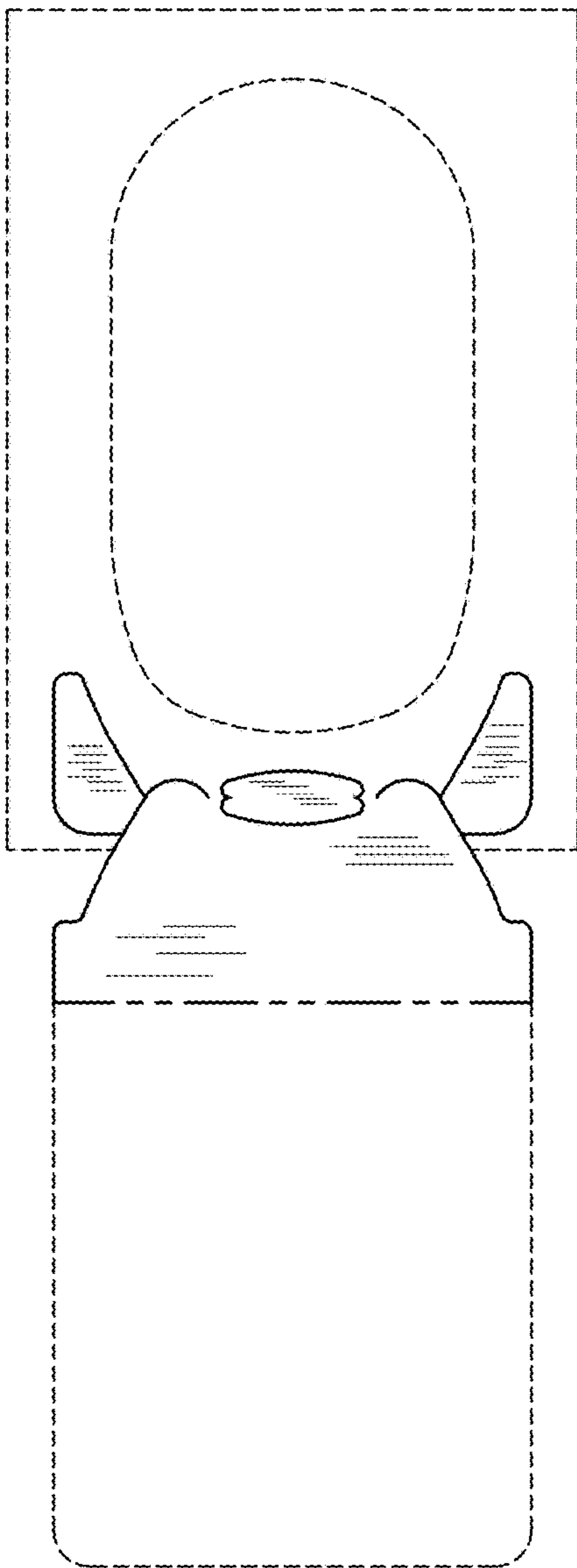


FIG. 12

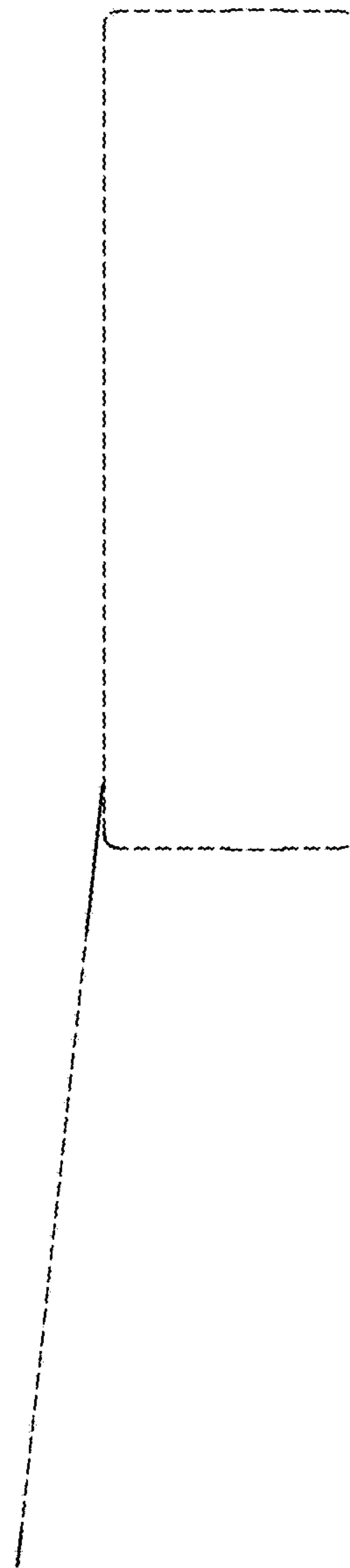


FIG. 13

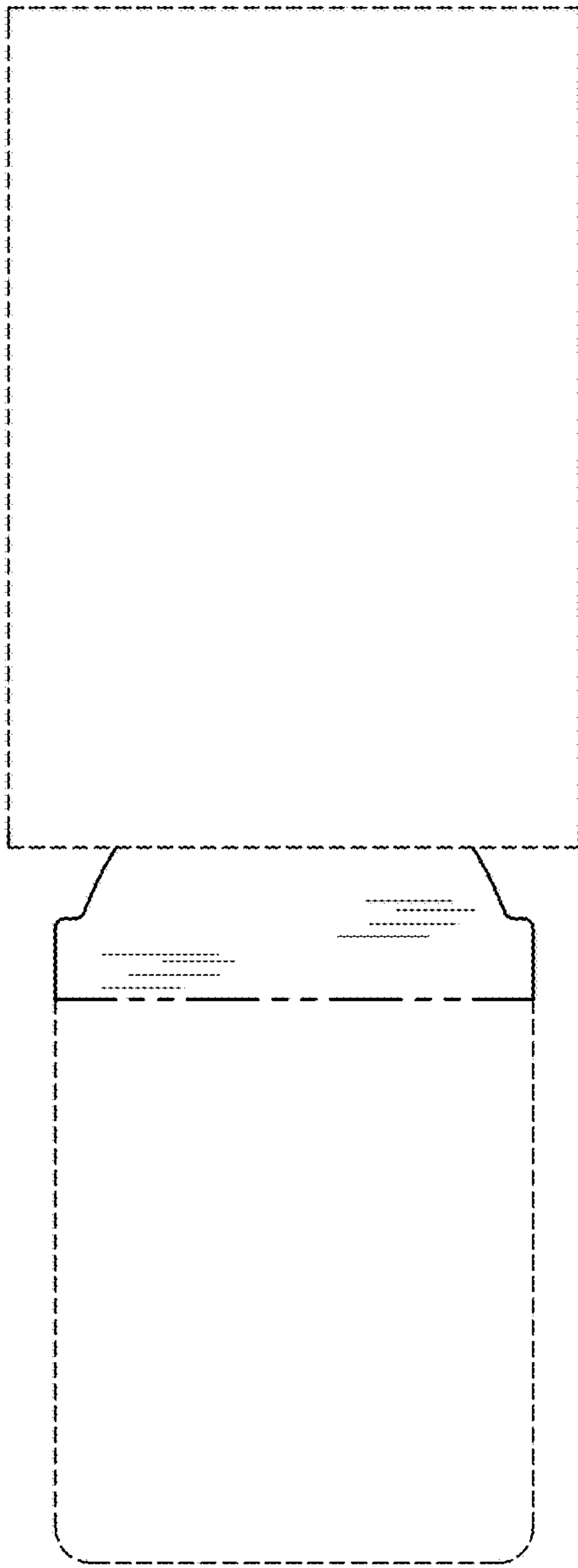


FIG. 14

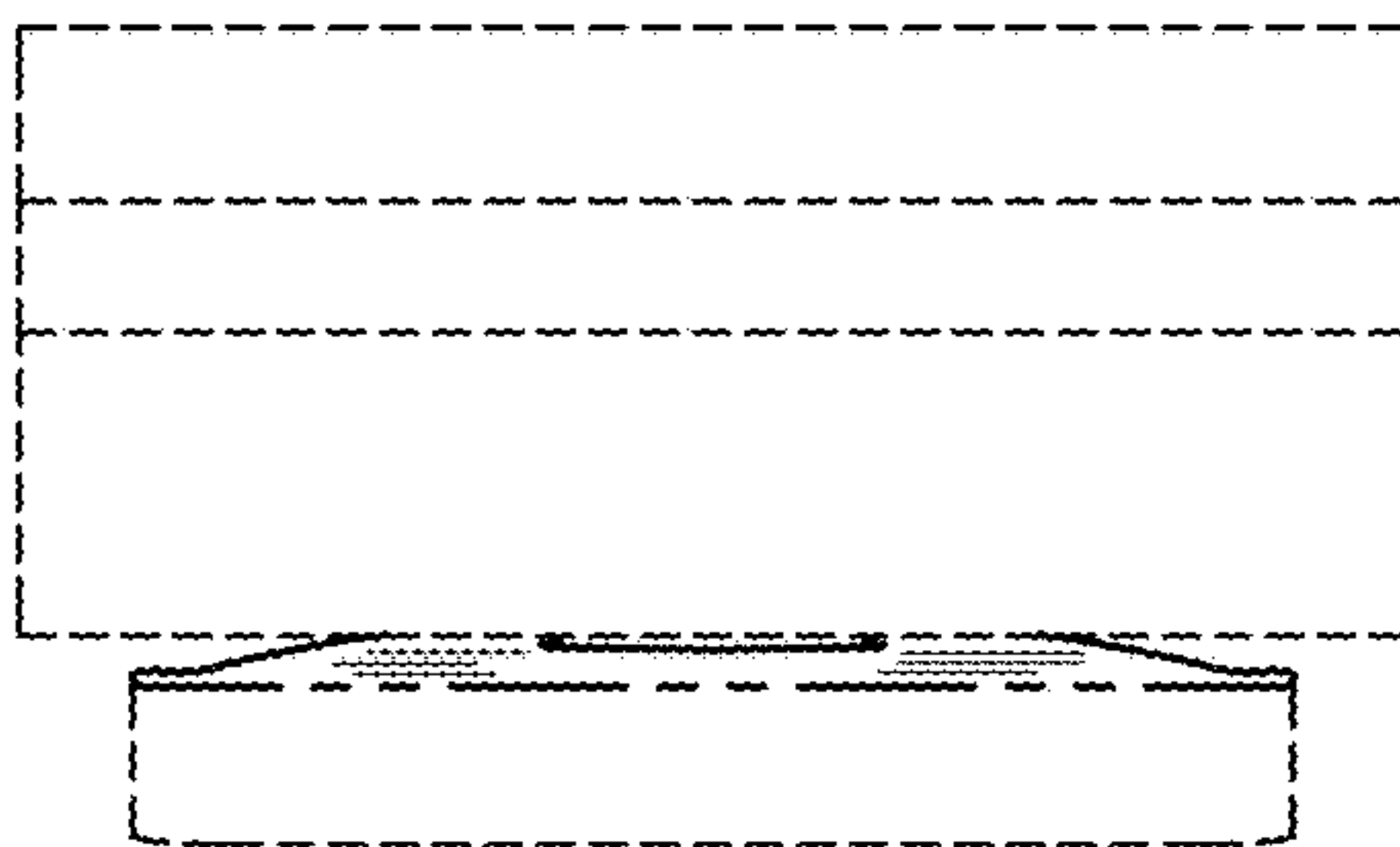


FIG. 16

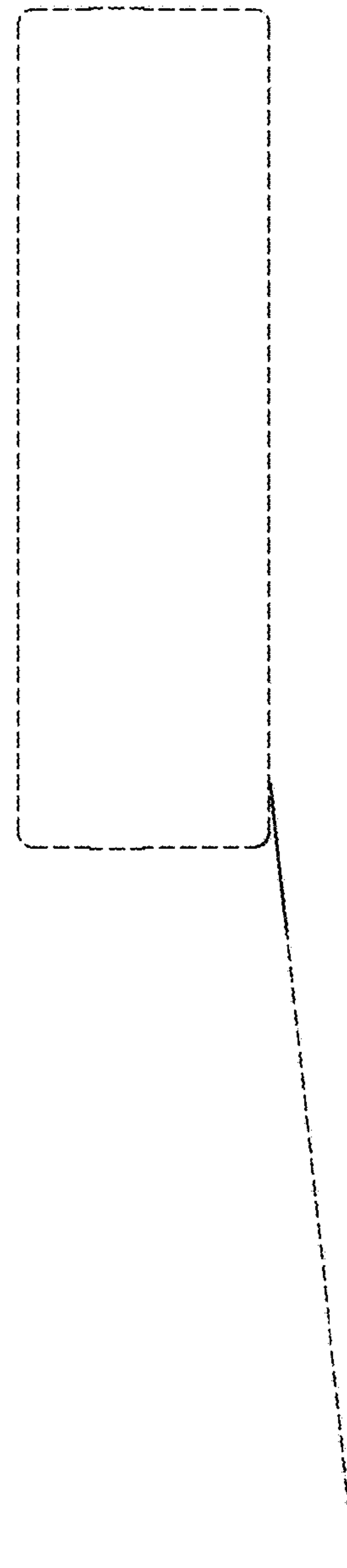


FIG. 15

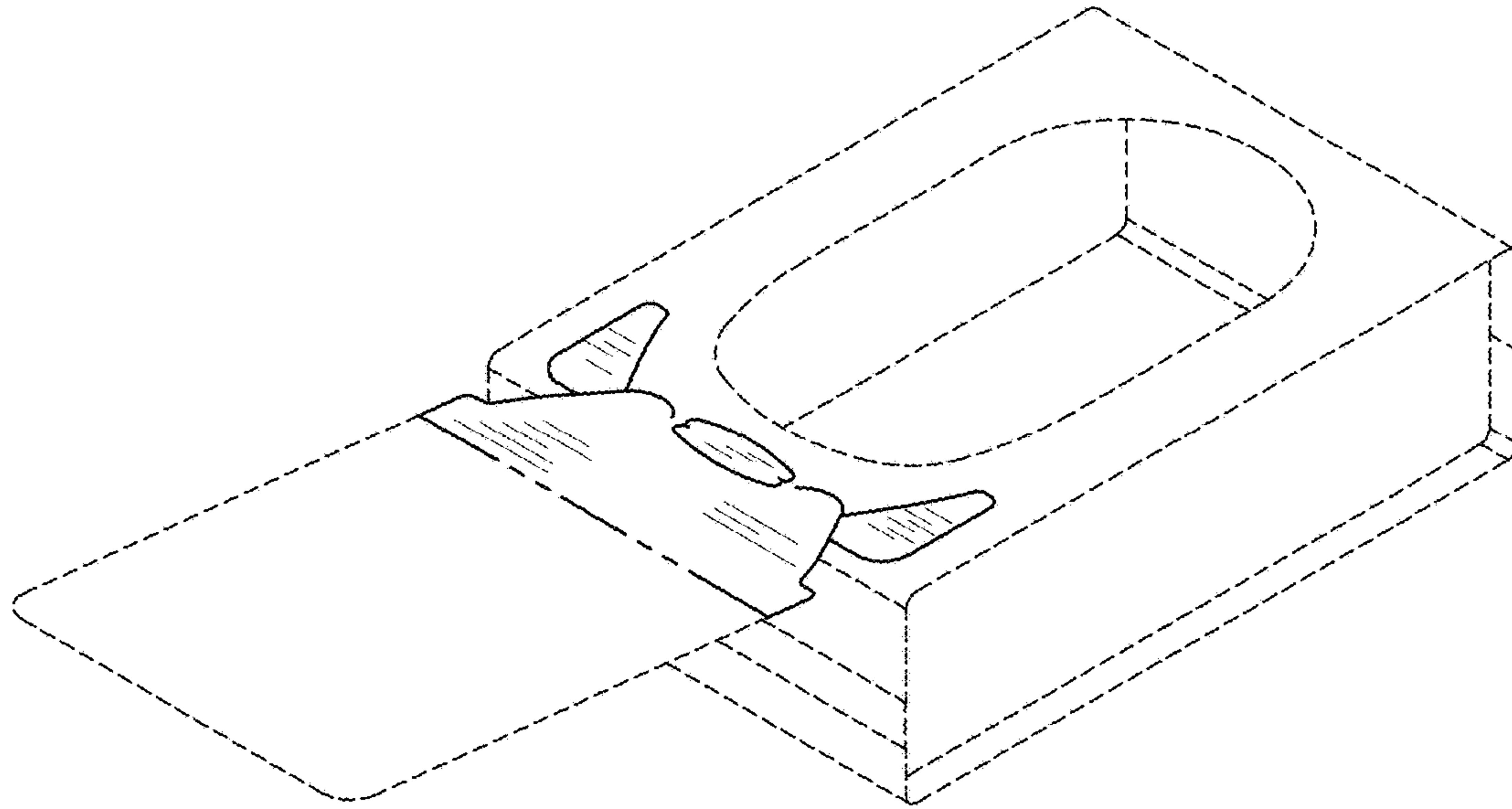


FIG. 17

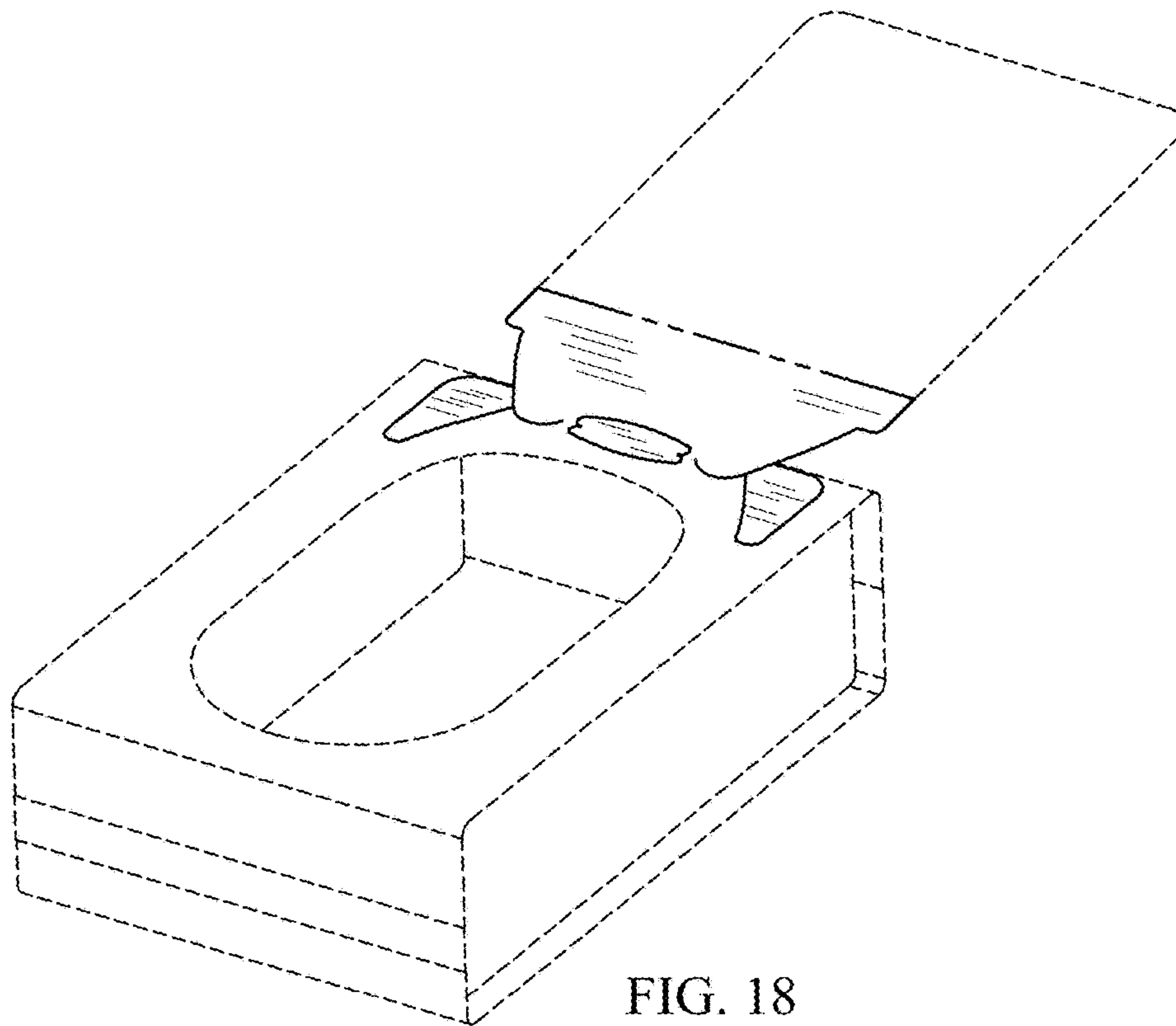


FIG. 18