



US00D826705S

(12) **United States Design Patent**
Zhou

(10) **Patent No.:** **US D826,705 S**

(45) **Date of Patent:** **** Aug. 28, 2018**

(54) **GRIP RING**

(71) Applicant: **Grace Harvest & Assoc. LLC**, Mercer Island, WA (US)

(72) Inventor: **Xiaomei Zhou**, Mercer Island, WA (US)

(73) Assignee: **Grace Harvest & Assoc. LLC**, Mercer Island, WA (US)

(**) Term: **15 Years**

(21) Appl. No.: **29/621,151**

(22) Filed: **Oct. 4, 2017**

(51) **LOC (11) Cl.** **10-06**

(52) **U.S. Cl.**
USPC **D8/401**

(58) **Field of Classification Search**
USPC D8/301, 306, 311, 300, 401; D6/546
See application file for complete search history.

(56) **References Cited**

U.S. PATENT DOCUMENTS

D74,254 S *	1/1928	Callin	D8/401
D80,866 S *	4/1930	Spector	D8/400
D160,671 S *	10/1950	Stolper	D8/401
D170,724 S *	10/1953	Stahl	D8/301
D221,054 S *	7/1971	Bethune	D8/401
D225,304 S *	12/1972	Tegner	D8/401
D441,239 S *	5/2001	Moore	D6/546
6,920,988 B1 *	7/2005	Ratliff	A47K 10/12 211/105.1
D528,837 S *	9/2006	Fields	D6/546
D706,057 S *	6/2014	Goodman	D6/546

* cited by examiner

Primary Examiner — Lakiya G Rogers

Assistant Examiner — Harold E Blackwell, II

(74) *Attorney, Agent, or Firm* — Seed IP Law Group LLP

(57) **CLAIM**

The ornamental design for a grip ring, as shown and described.

DESCRIPTION

FIG. 1 is a top, front right perspective view of a grip ring showing my new design, with a ring portion rotatably coupled to a base portion.

FIG. 2 is a front elevation view thereof.

FIG. 3 is a right side elevation view thereof.

FIG. 4 is a left side elevation view thereof.

FIG. 5 is a top plan view thereof.

FIG. 6 is a bottom plan view thereof.

FIG. 7 is a rear elevational view thereof.

FIG. 8 is a top, front right perspective view of the grip ring shown in FIG. 1, with the ring portion shown rotated outward from the base portion.

FIG. 9 is a top, front right perspective view of another embodiment the grip ring showing my new design, with a ring portion rotatably coupled to a base portion.

FIG. 10 is a front elevation view thereof.

FIG. 11 is a right side elevation view thereof.

FIG. 12 is a left side elevation view thereof.

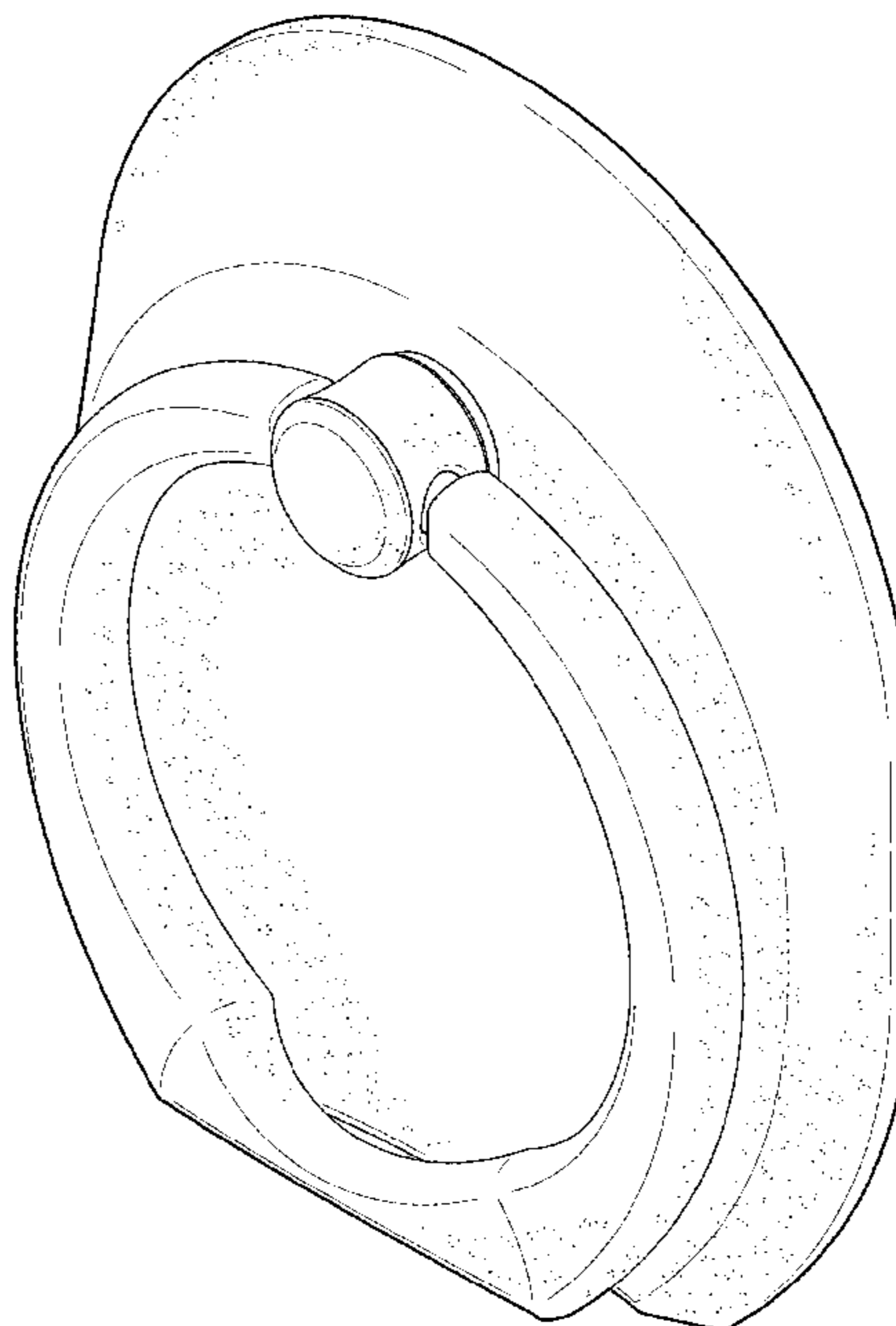
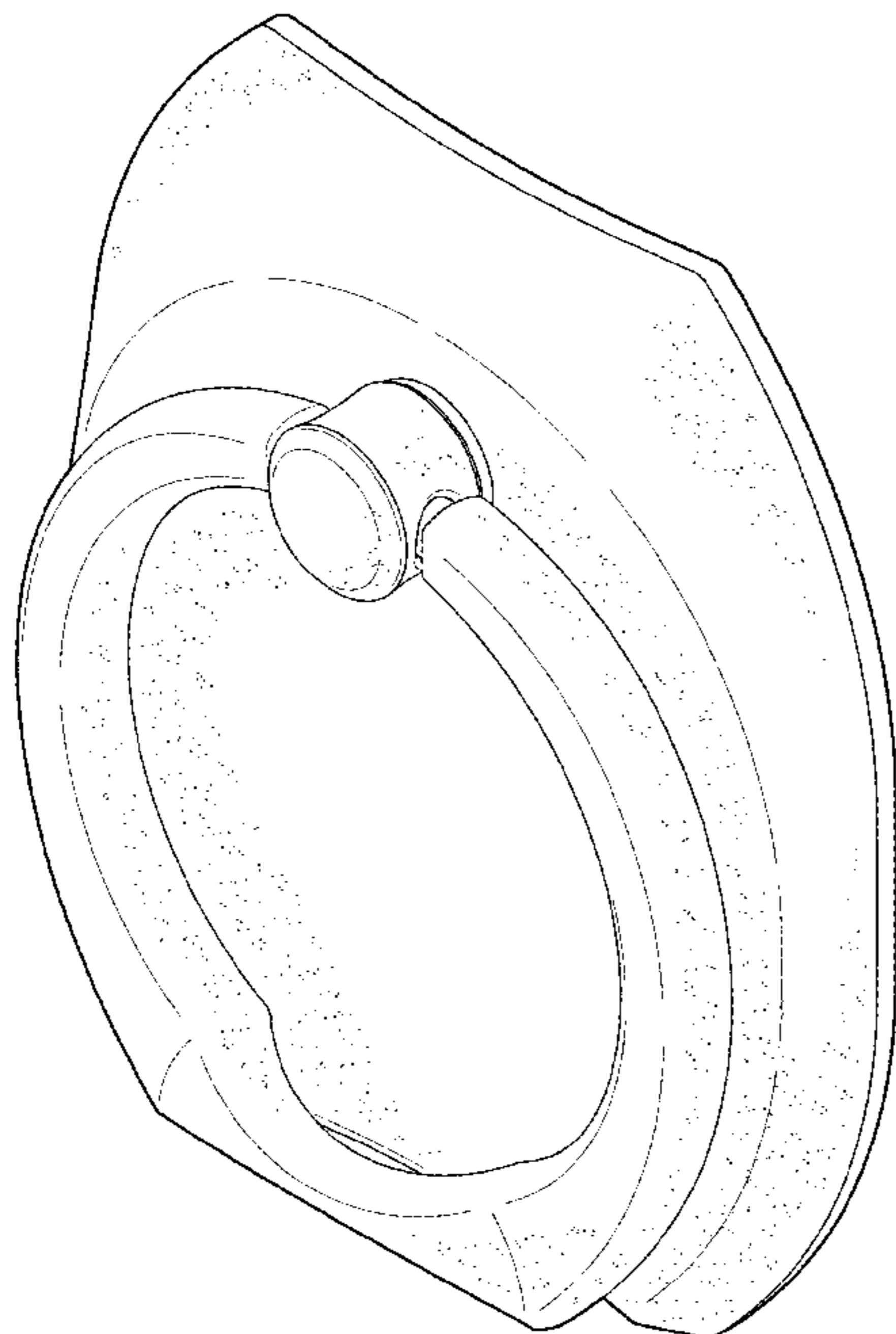
FIG. 13 is a top plan view thereof.

FIG. 14 is a bottom plan view thereof.

FIG. 15 is a rear elevational view thereof; and,

FIG. 16 is a top, front right perspective view of the grip ring shown in FIG. 9, with the ring portion shown rotated outward from the base portion.

1 Claim, 12 Drawing Sheets



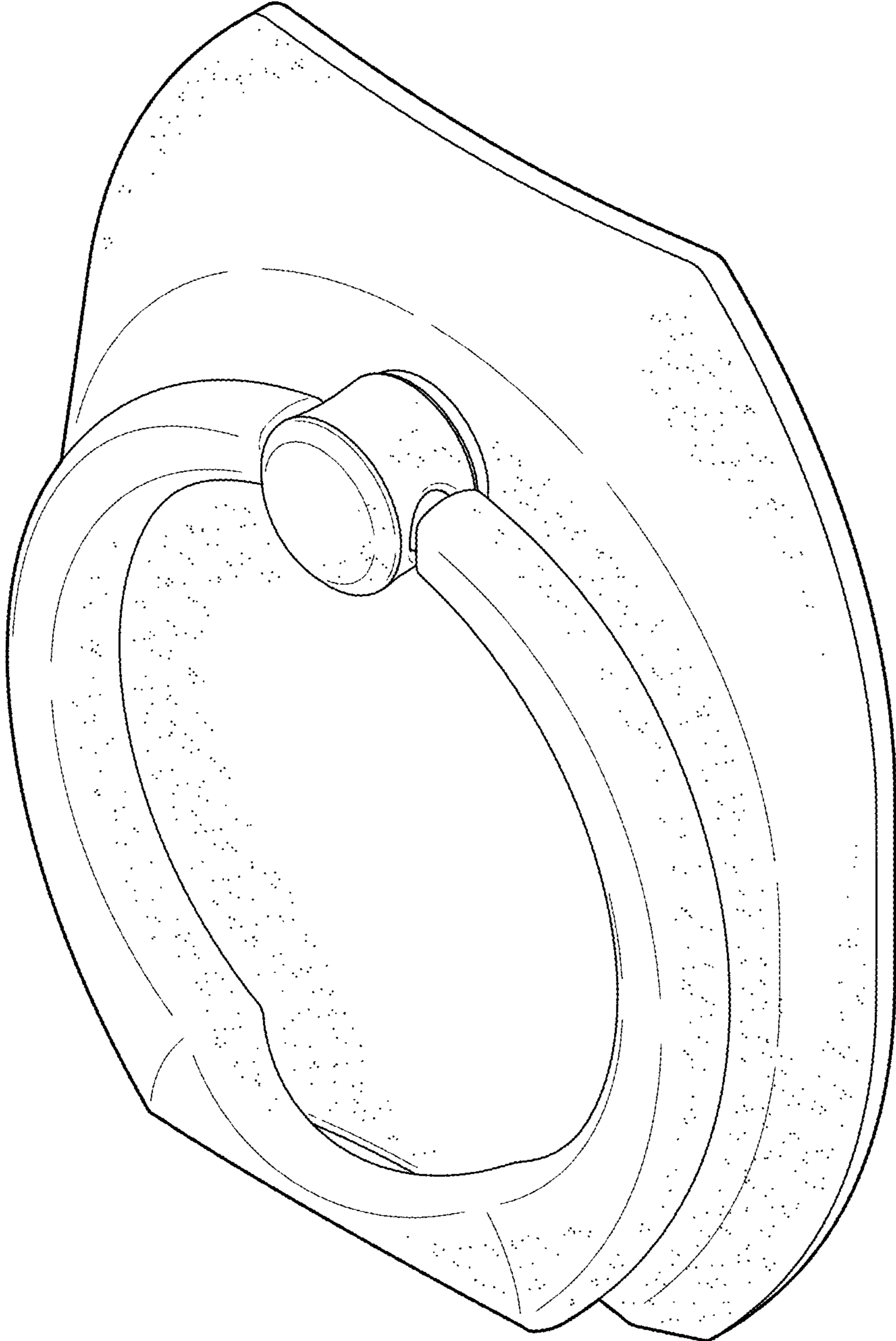


FIG. 1

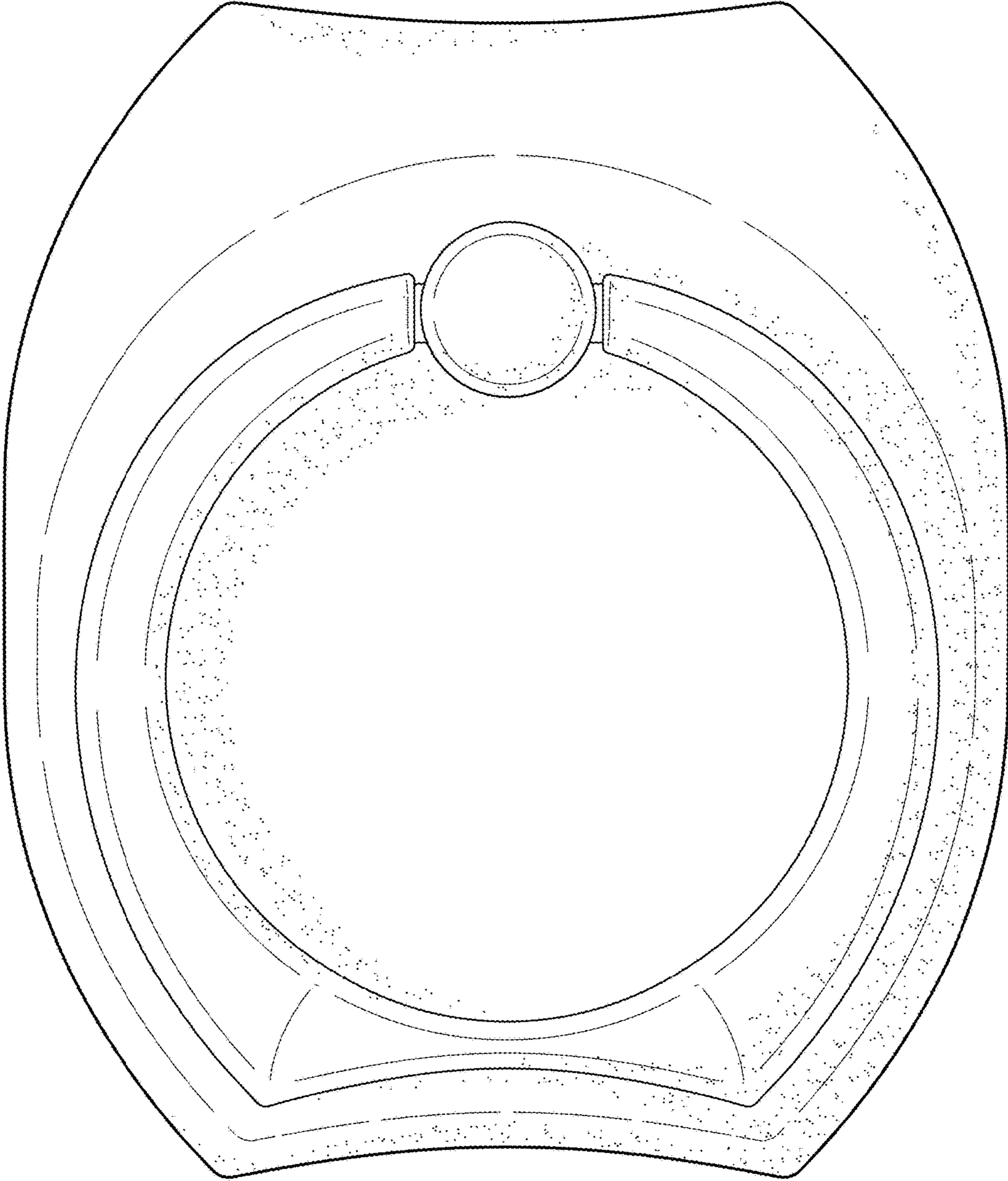


FIG. 2

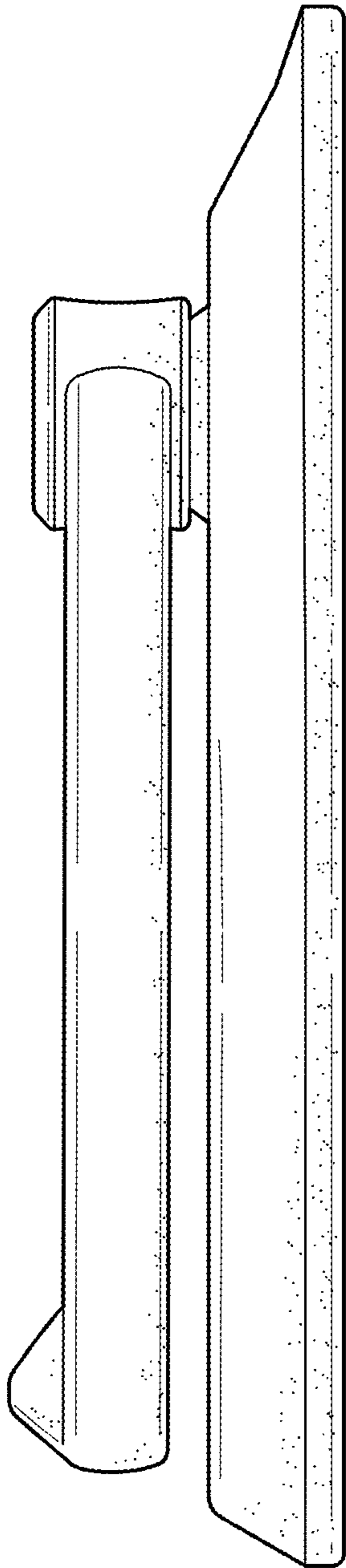


FIG. 3

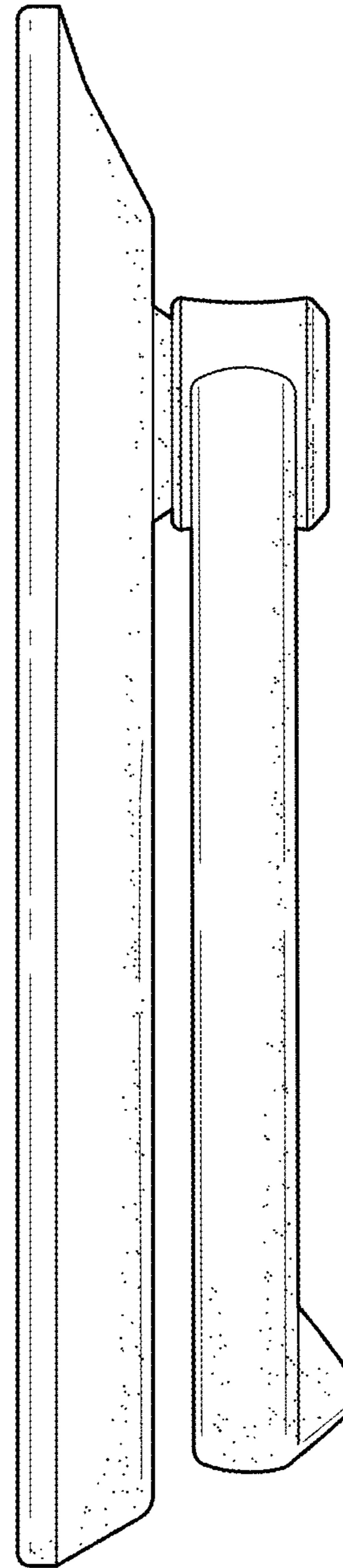


FIG. 4

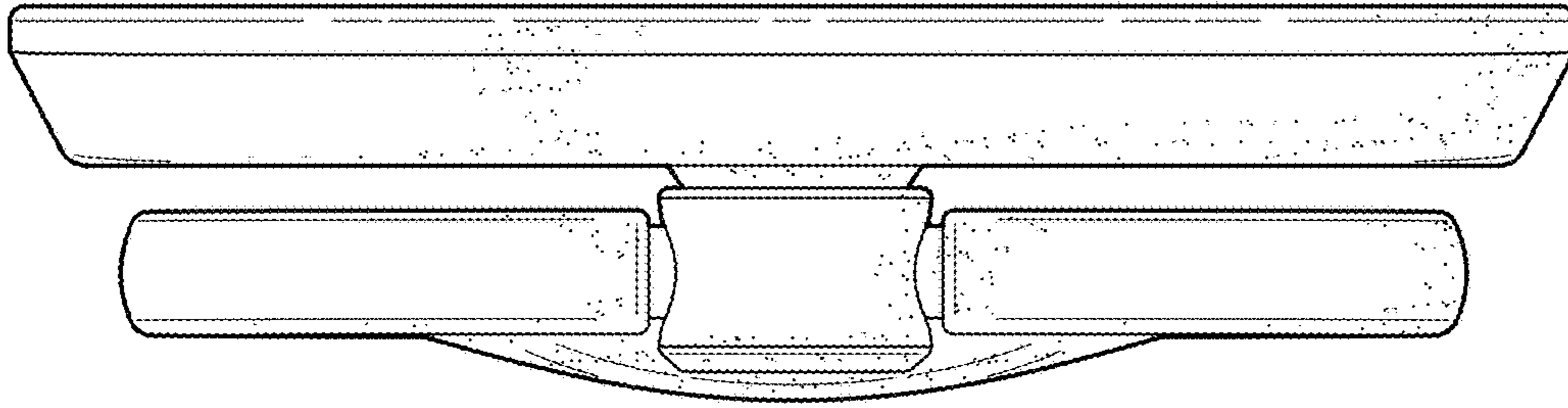


FIG. 5

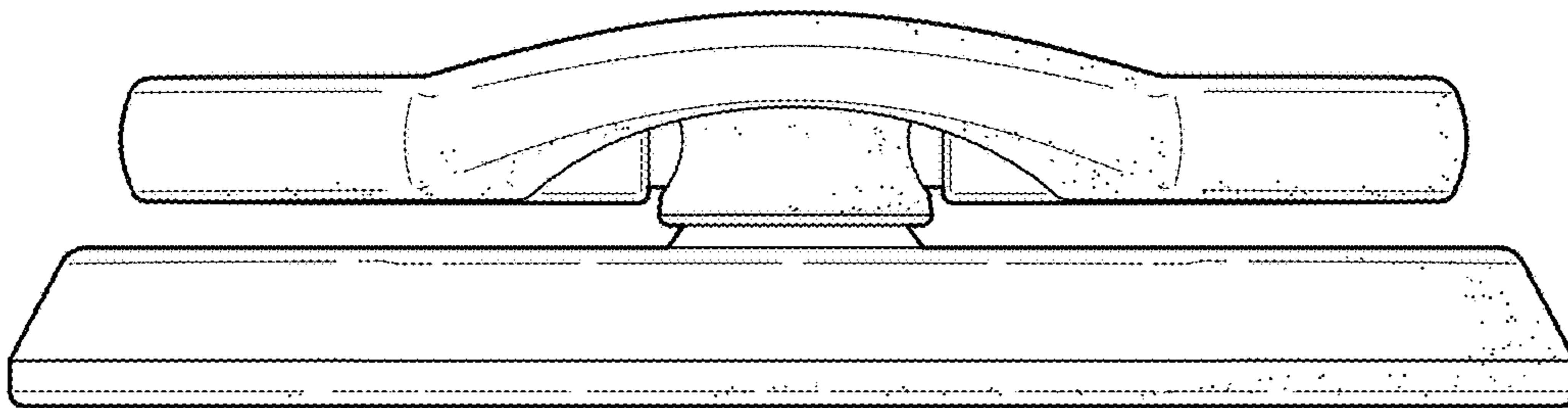


FIG. 6

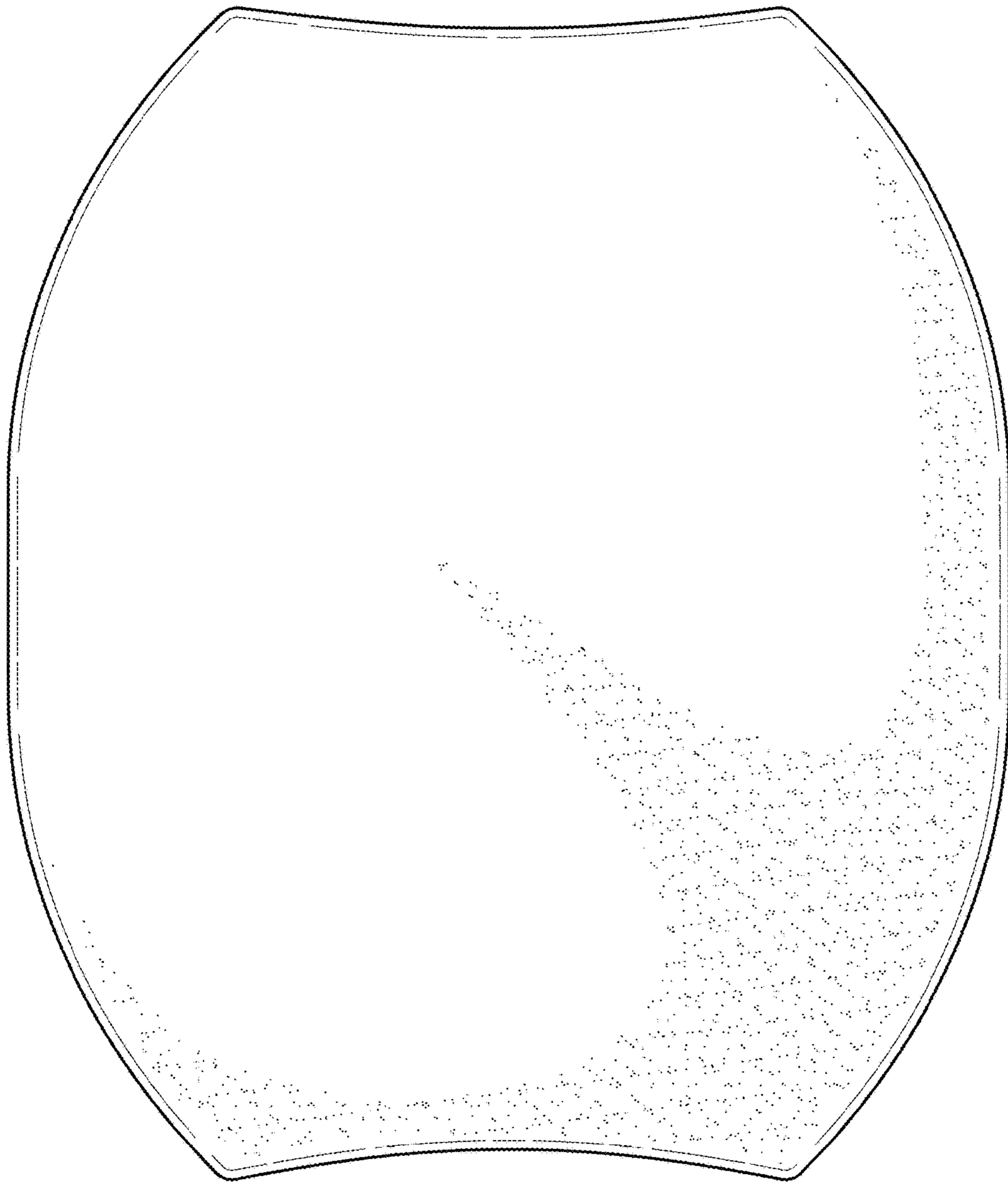


FIG. 7

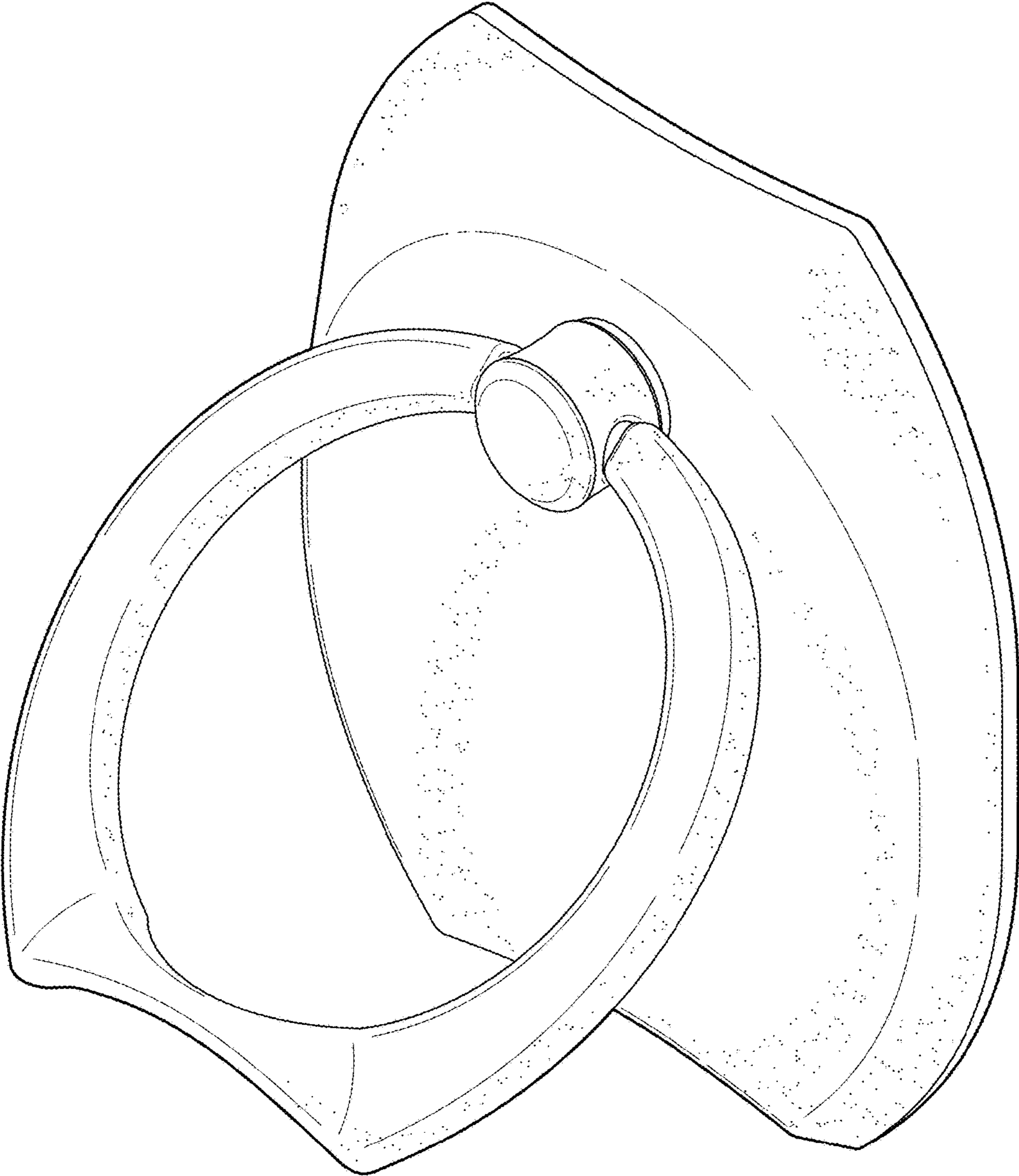


FIG. 8

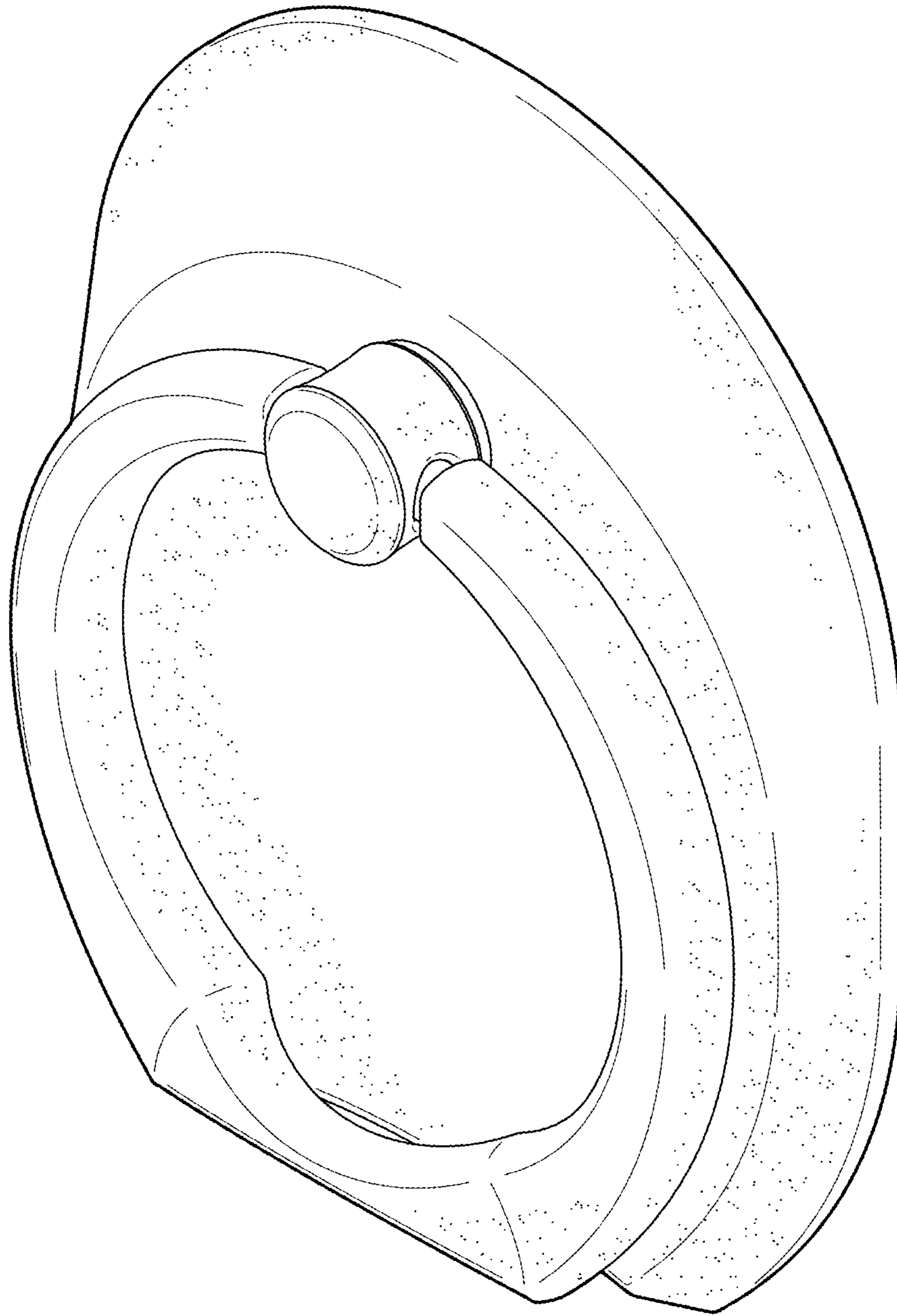


FIG. 9

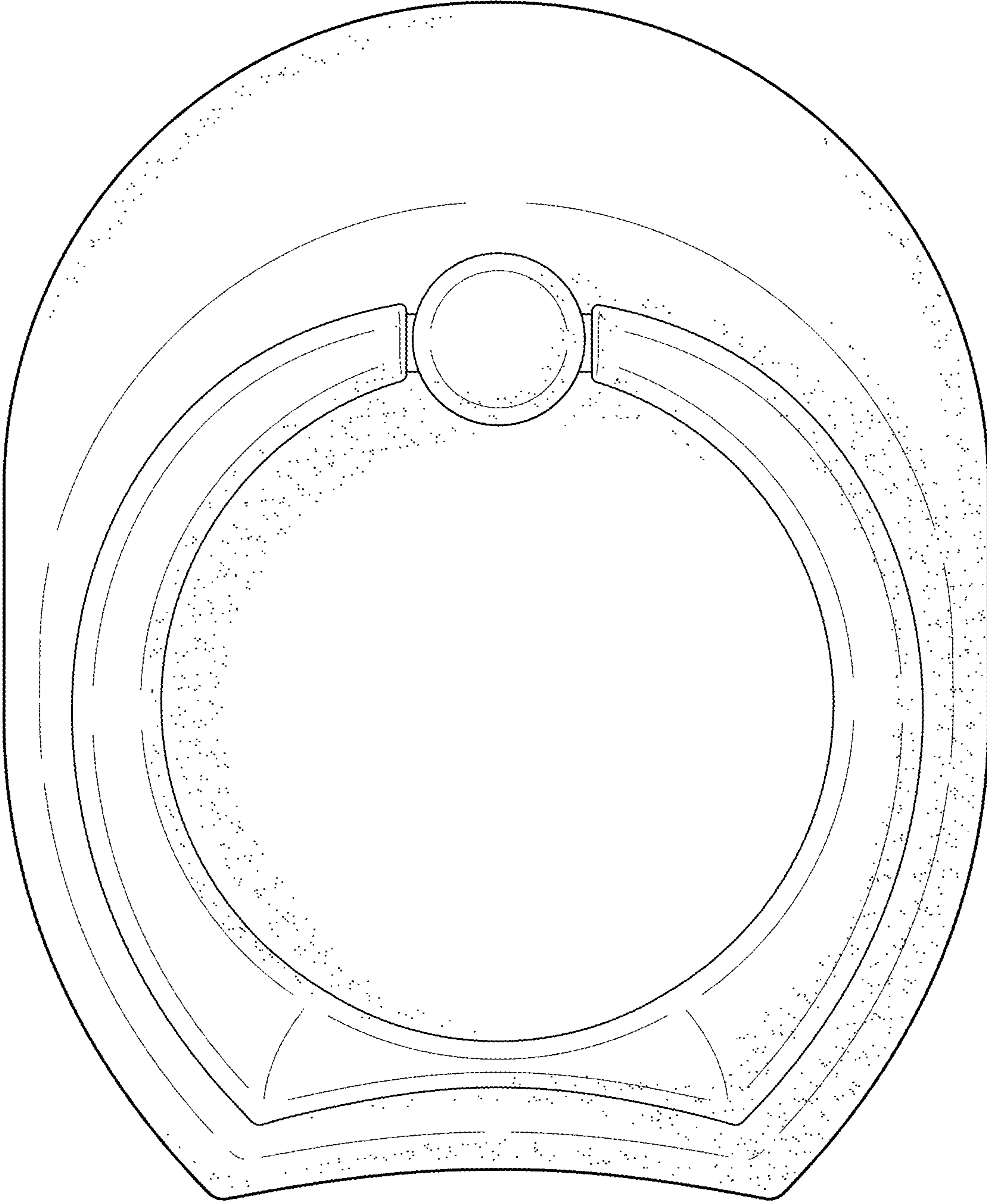


FIG. 10

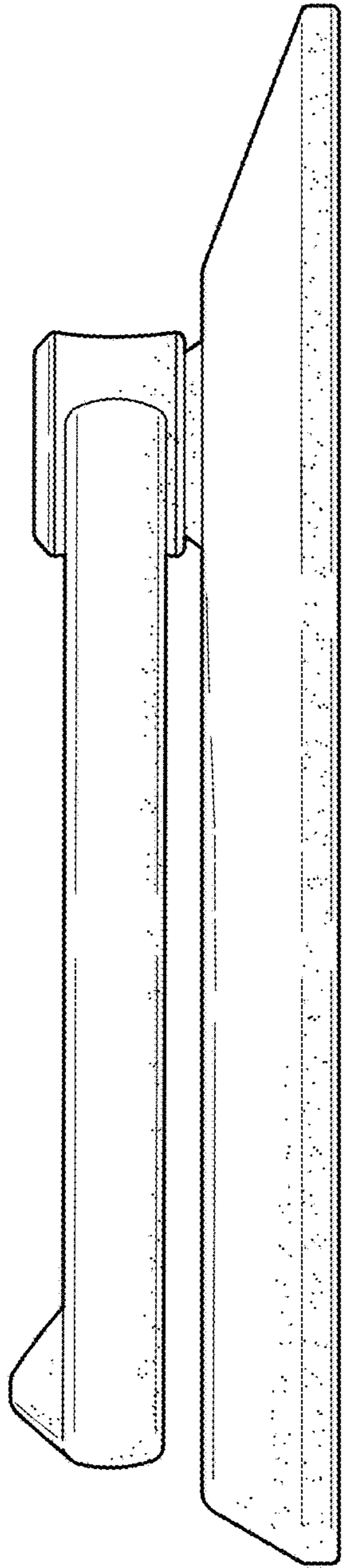


FIG. 11

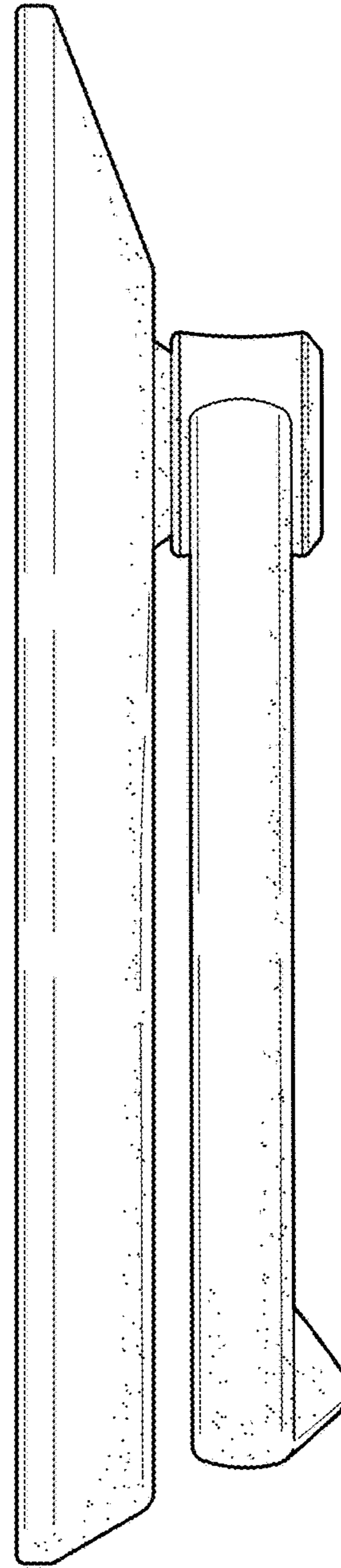


FIG. 12

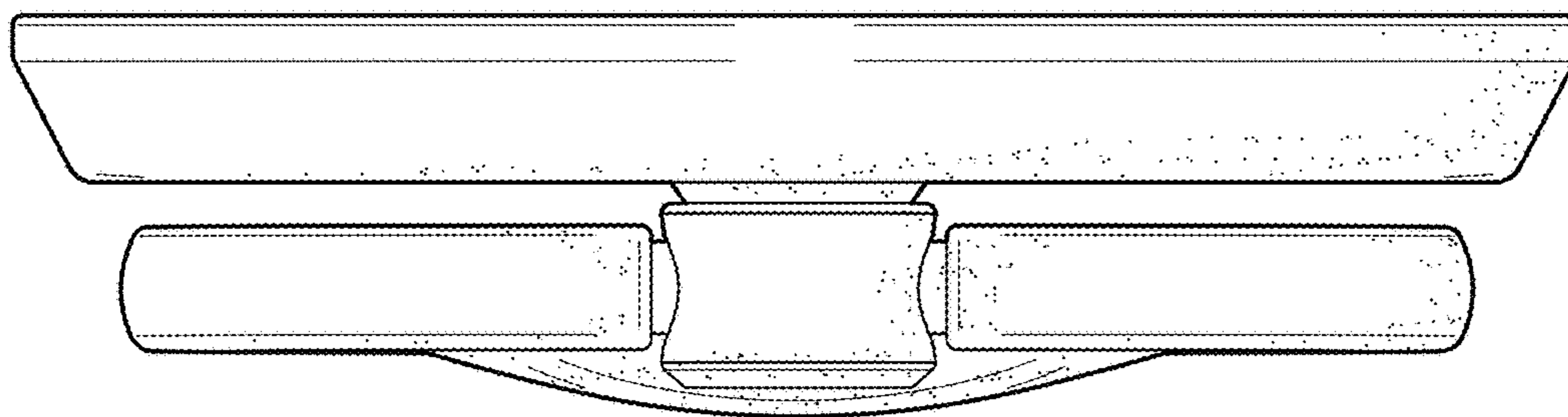


FIG. 13

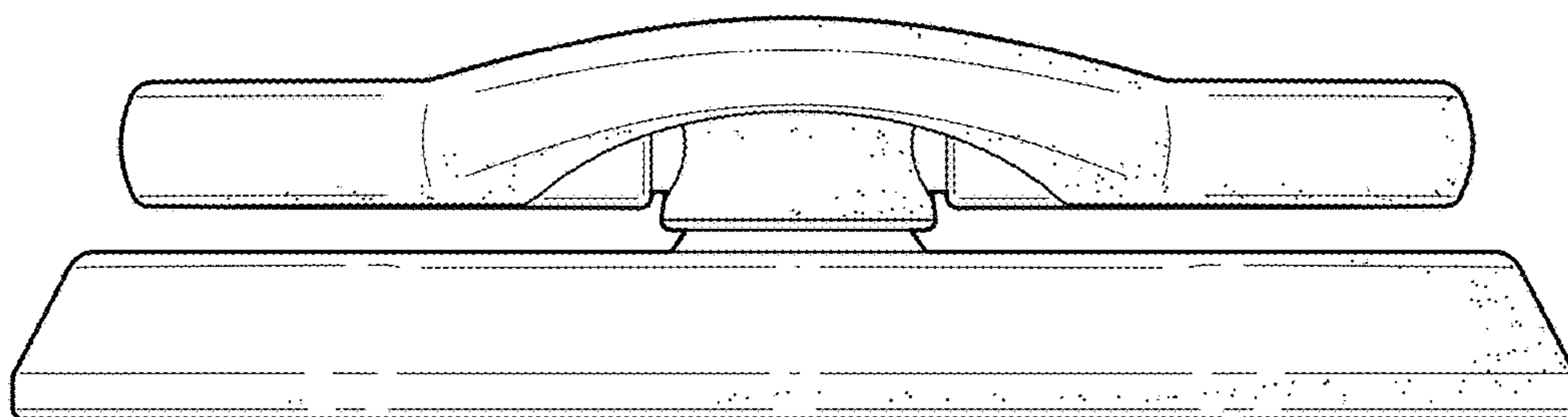


FIG. 14

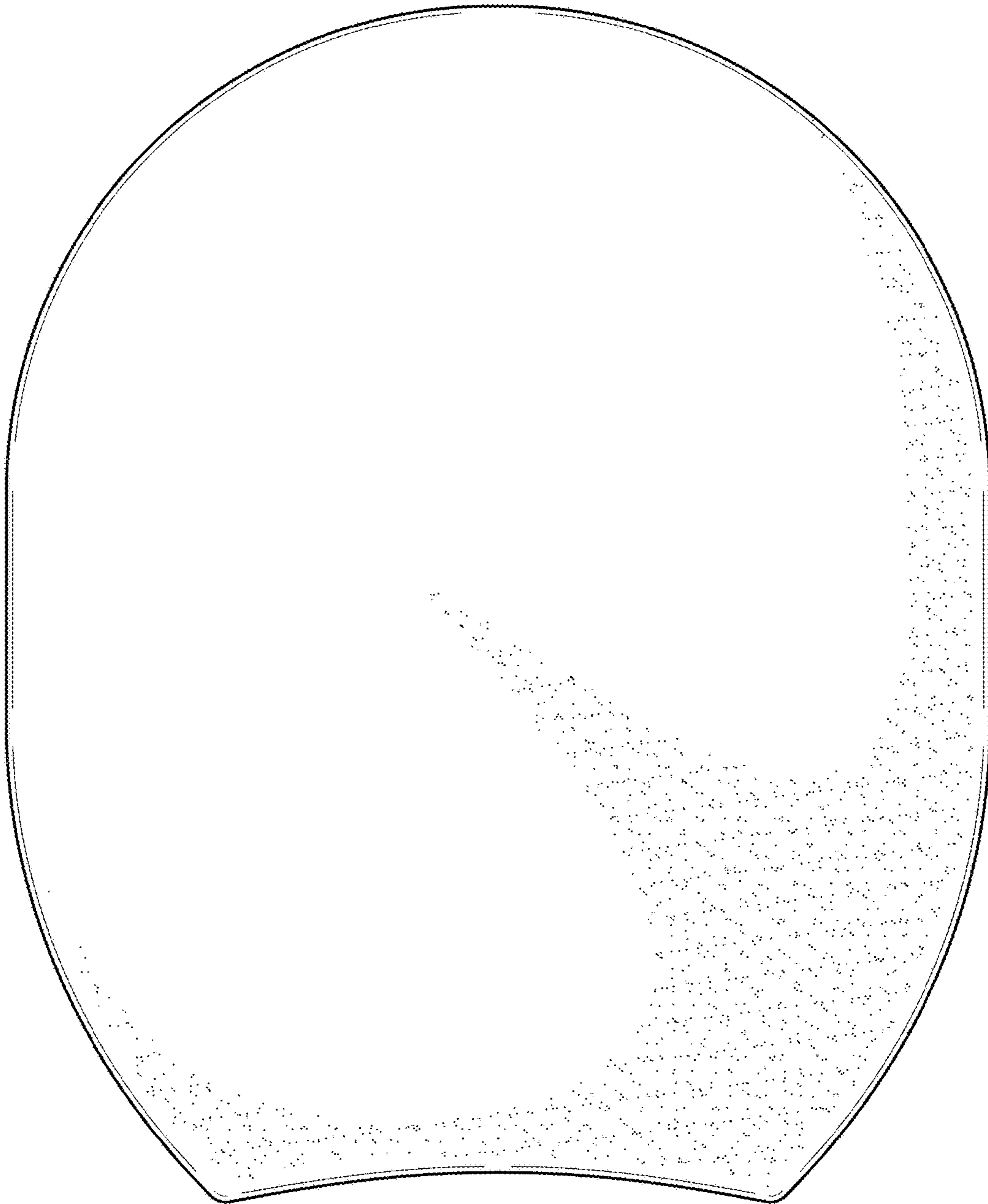


FIG. 15

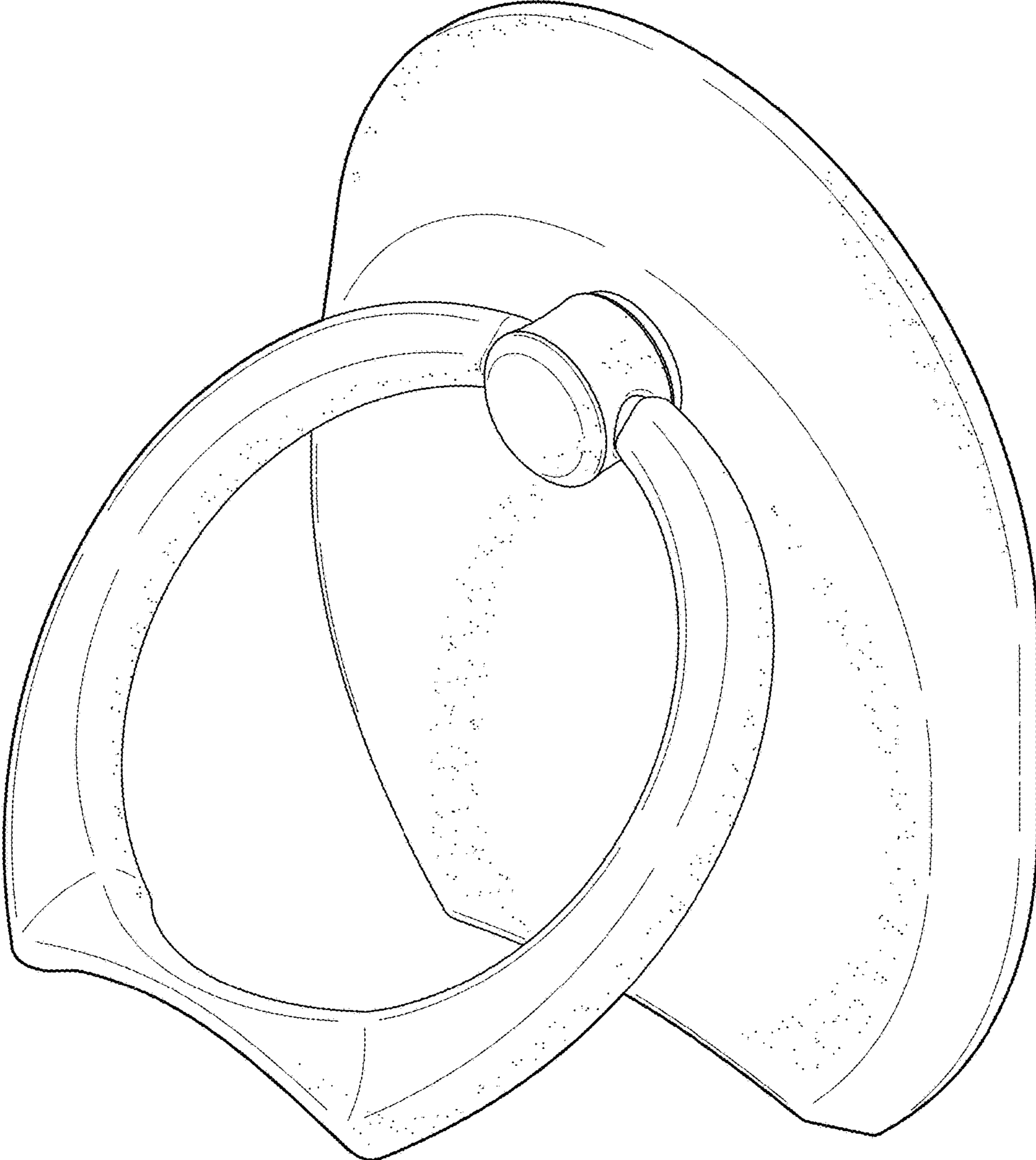


FIG. 16