



US00D826704S

(12) **United States Design Patent**  
**Wilson et al.**

(10) **Patent No.: US D826,704 S**

(45) **Date of Patent: \*\* Aug. 28, 2018**

(54) **DECK CLIP**

(71) Applicant: **BIKA PRODUCTS LIMITED,**  
Burnley (GB)

(72) Inventors: **Barry Wilson,** Burnley (GB); **Ian Wilson,** Burnley (GB); **Keith Wilson,** Burnley (GB)

(\*\*) Term: **15 Years**

(21) Appl. No.: **35/503,154**

(22) Filed: **May 9, 2017**

(80) **Hague Agreement Data**

Int. Filing Date: **May 9, 2017**

Int. Reg. No.: **DM/096312**

Int. Reg. Date: **May 9, 2017**

Int. Reg. Pub. Date: **Jun. 16, 2017**

(51) **LOC (11) Cl. .... 08-08**

(52) **U.S. Cl.**  
USPC ..... **D8/382**

(58) **Field of Classification Search**  
USPC ..... D8/349, 354, 382, 394; D25/48.2, 119,  
D25/121  
CPC .... Y10T 403/553; F16B 5/002; A47F 5/0846;  
E04B 1/40  
See application file for complete search history.

(56) **References Cited**

**U.S. PATENT DOCUMENTS**

- D272,043 S \* 1/1984 Cowdroy ..... D8/382
- D436,512 S \* 1/2001 Santner ..... D8/354
- 6,945,414 B1 \* 9/2005 Stevens ..... A47F 5/0846  
211/183
- D642,287 S \* 7/2011 Poland ..... D25/119
- D668,794 S \* 10/2012 Trudel ..... A47F 5/0846  
D25/119
- D733,927 S \* 7/2015 Van Camp ..... H02S 20/23  
D25/48.2
- D746,669 S \* 1/2016 McBride ..... E04B 1/40  
D25/121

- D758,835 S \* 6/2016 Glancy ..... D8/382
- D759,464 S \* 6/2016 West ..... D8/349
- D767,381 S \* 9/2016 Libreiro ..... E04B 1/40  
D25/119

(Continued)

*Primary Examiner* — Robert M. Spear

(57) **CLAIM**

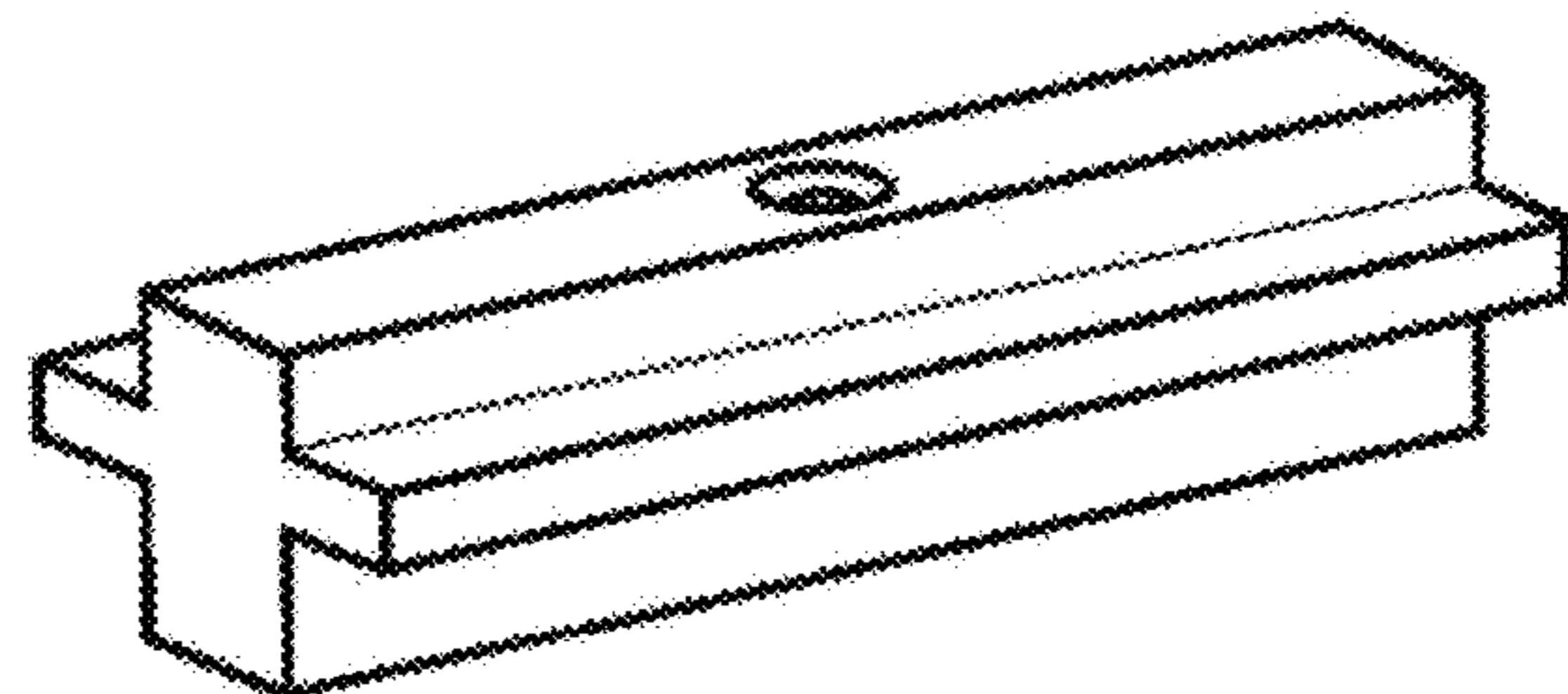
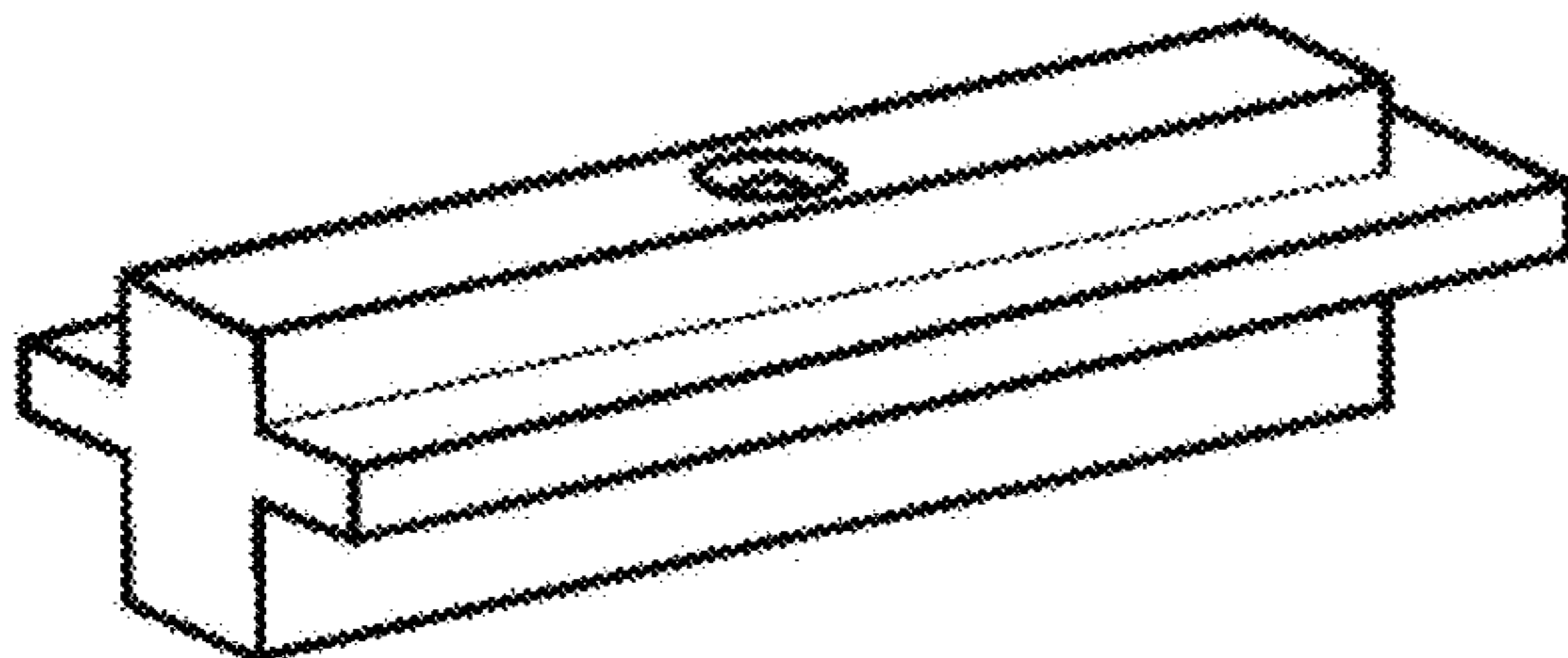
The ornamental design for a deck clip, as shown and described.

**DESCRIPTION**

- 1.-3. Deck clip
- 1.1 : Perspective
- 1.2 : Perspective
- 1.3 : Front
- 1.4 : Back
- 1.5 : Top
- 1.6 : Left
- 1.7 : Right
- 2.1 : Perspective
- 2.2 : Perspective
- 2.3 : Front
- 2.4 : Back
- 2.5 : Top
- 2.6 : Left
- 2.7 : Right
- 3.1 : Perspective
- 3.2 : Perspective
- 3.3 : Front
- 3.4 : Back
- 3.5 : Top
- 3.6 : Left
- 3.7 : Right

Deck clips are to anchor deck panels or boards via the grooves or channels in their edge faces; the upper and lower spine portions are of different heights; each design of deck clip has a through-hole shown in dashed lines, e.g. for an anchoring screw, which through-hole does not form part of the design.

**1 Claim, 21 Drawing Sheets**



(56)

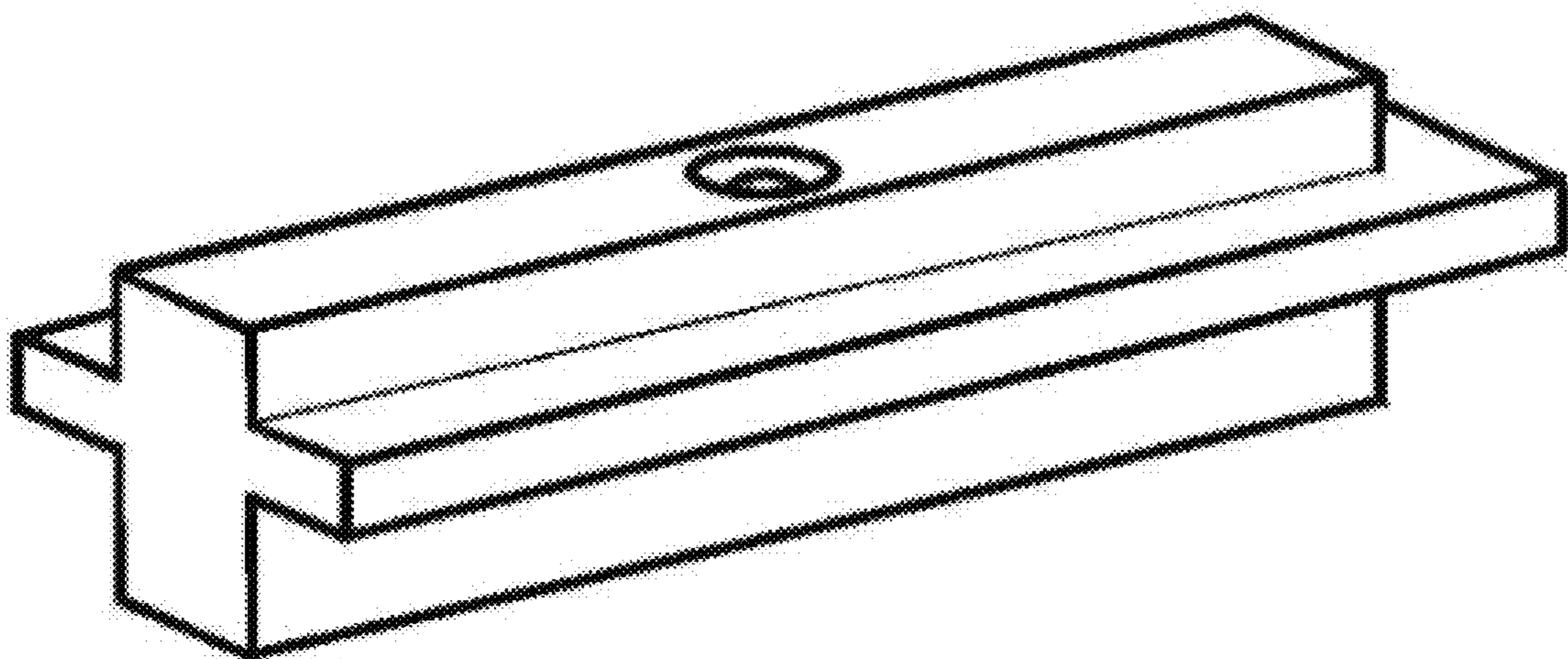
**References Cited**

U.S. PATENT DOCUMENTS

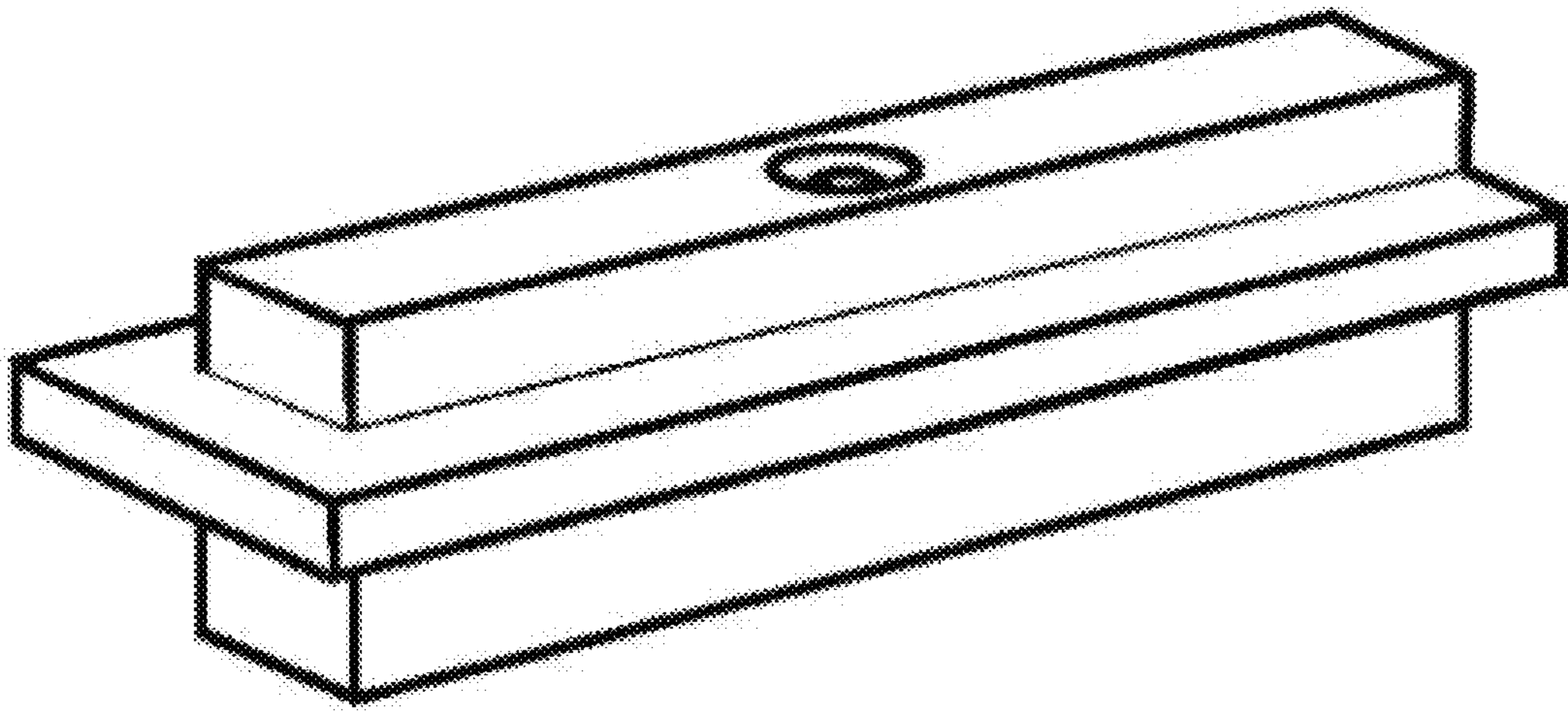
D782,699	S	*	3/2017	Carroll	.....	D25/48.2
D792,757	S	*	7/2017	Brigham	.....	D8/382
D795,049	S	*	8/2017	Brigham	.....	D8/382
D811,512	S	*	2/2018	Jenkinson	.....	D22/108
2015/0280639	A1	*	10/2015	Atchley	.....	H02S 20/23 248/237

\* cited by examiner

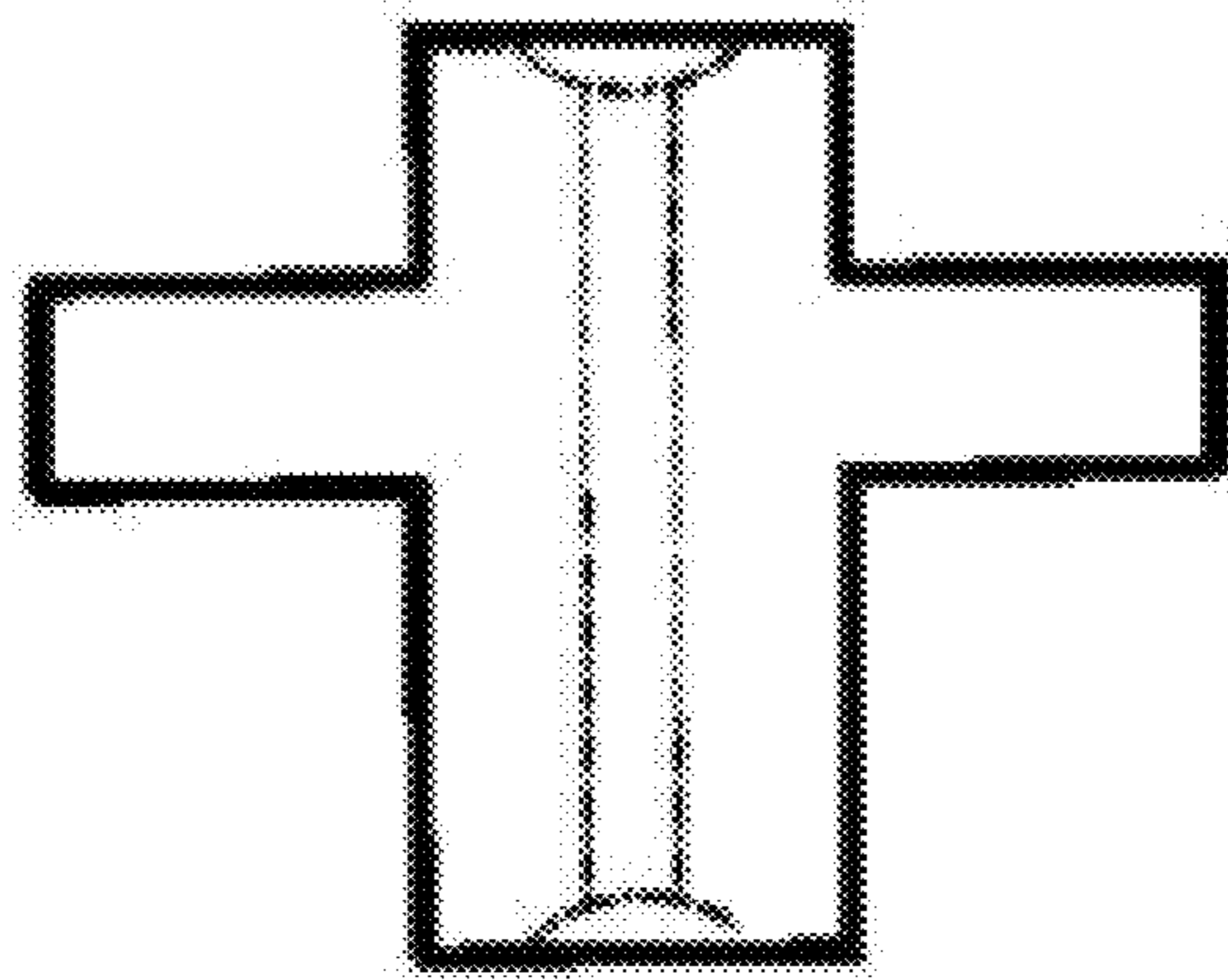
**1.1**



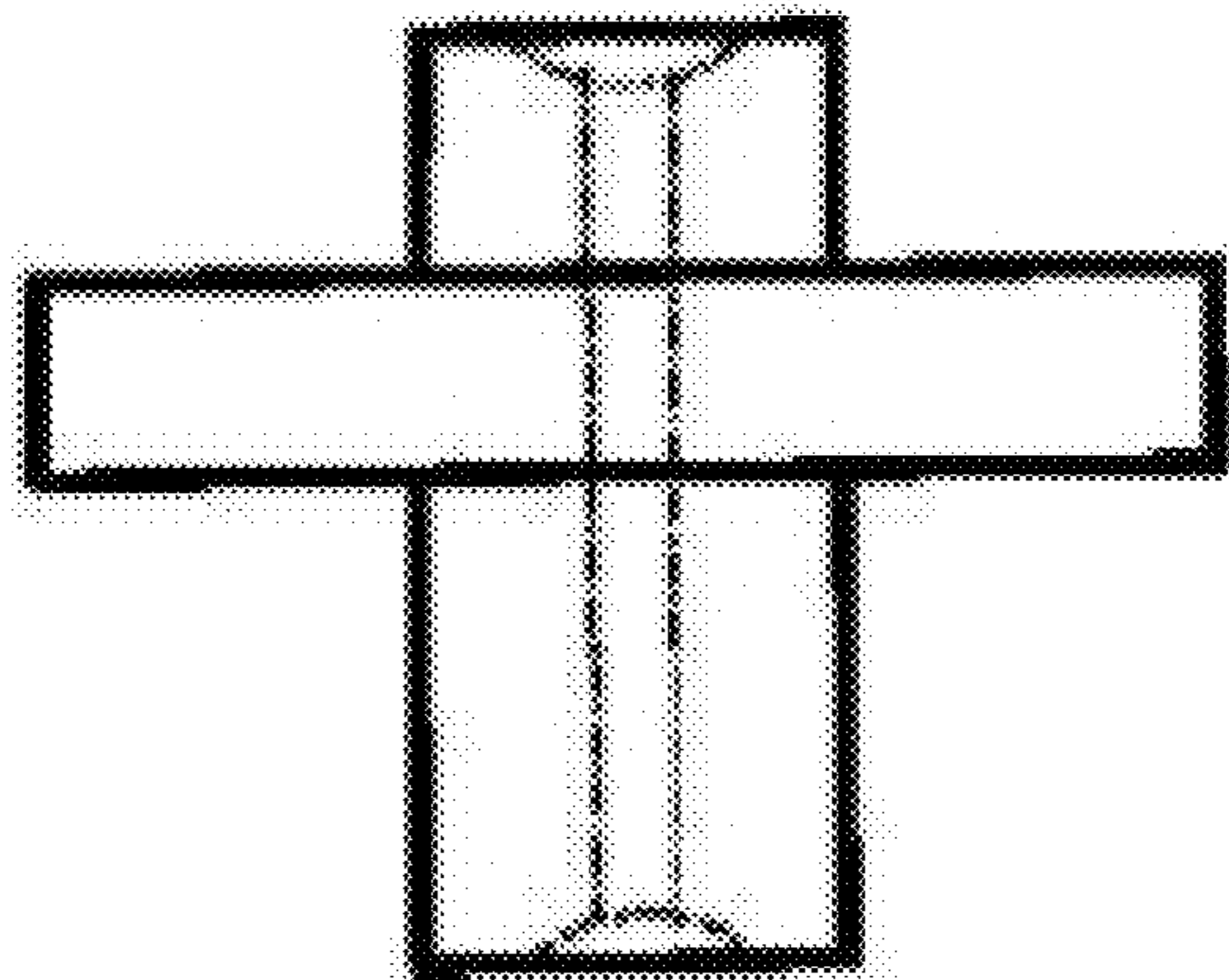
1.2



**1.3**

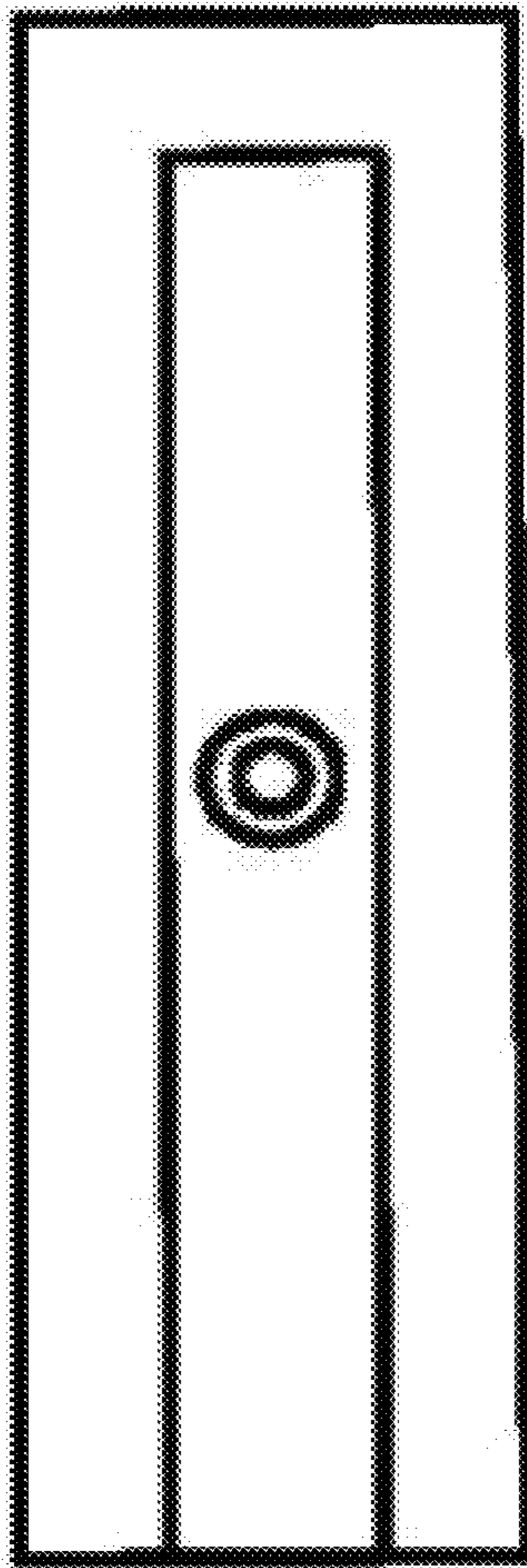


1.4

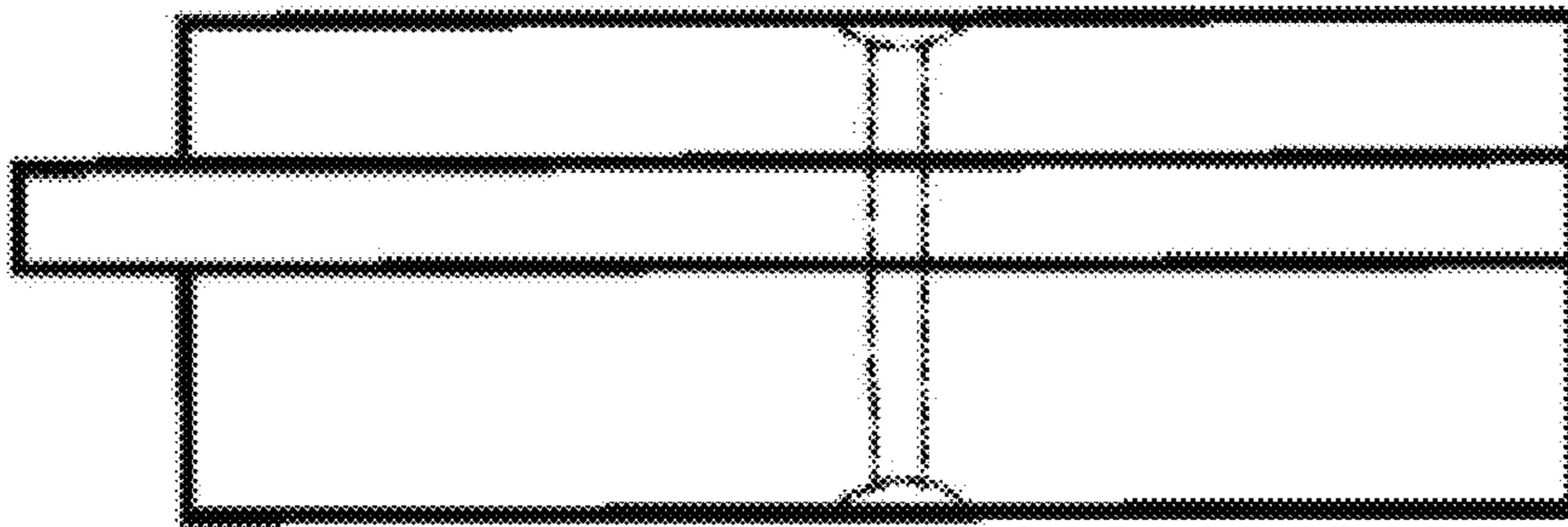




**1.5**

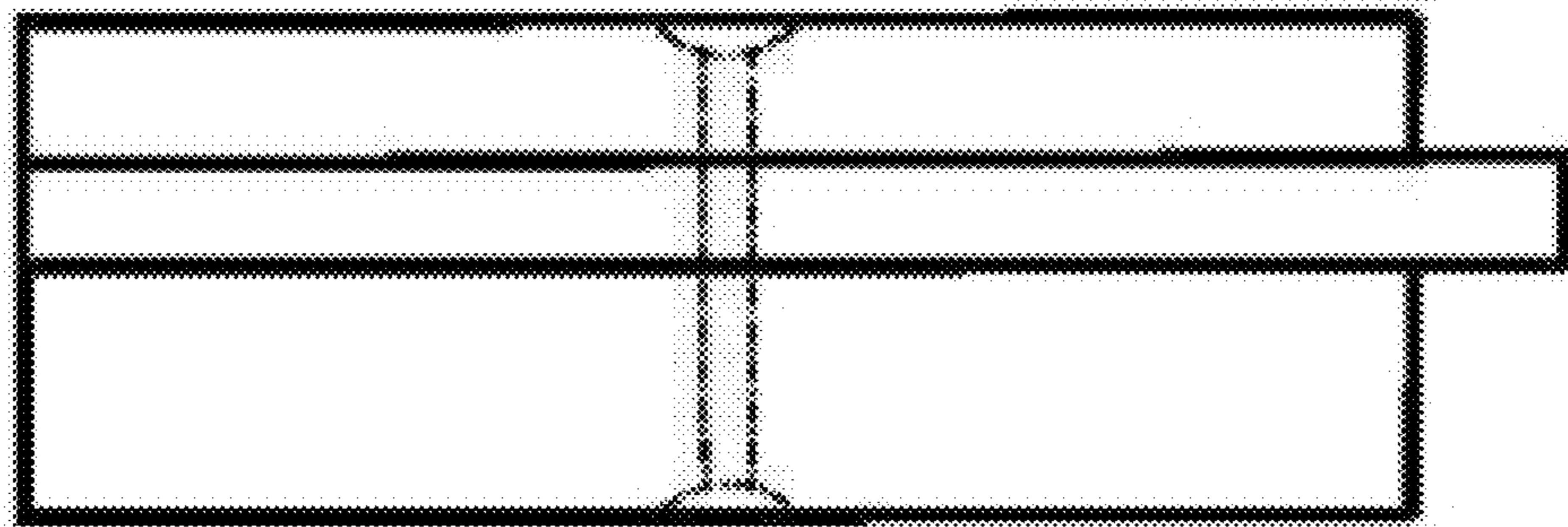


1.6

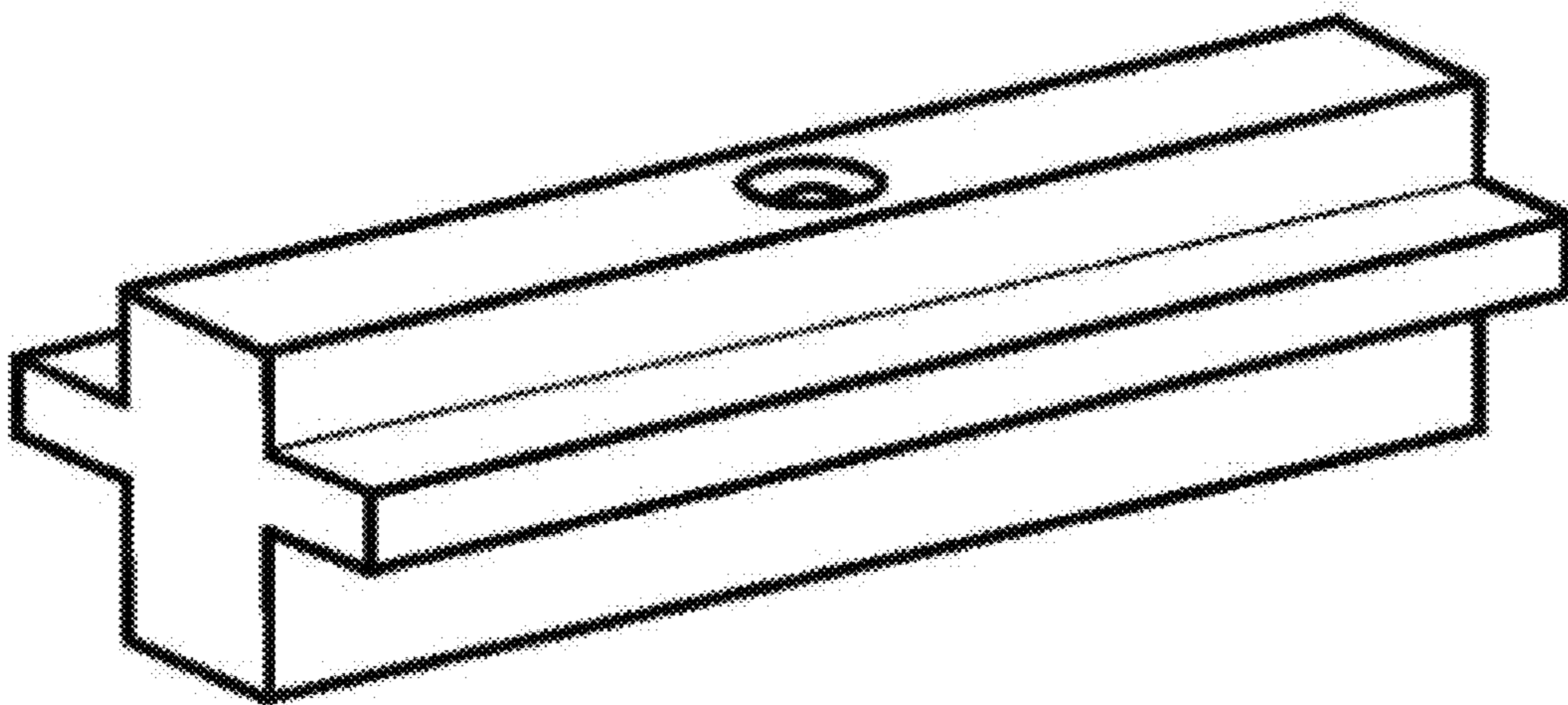




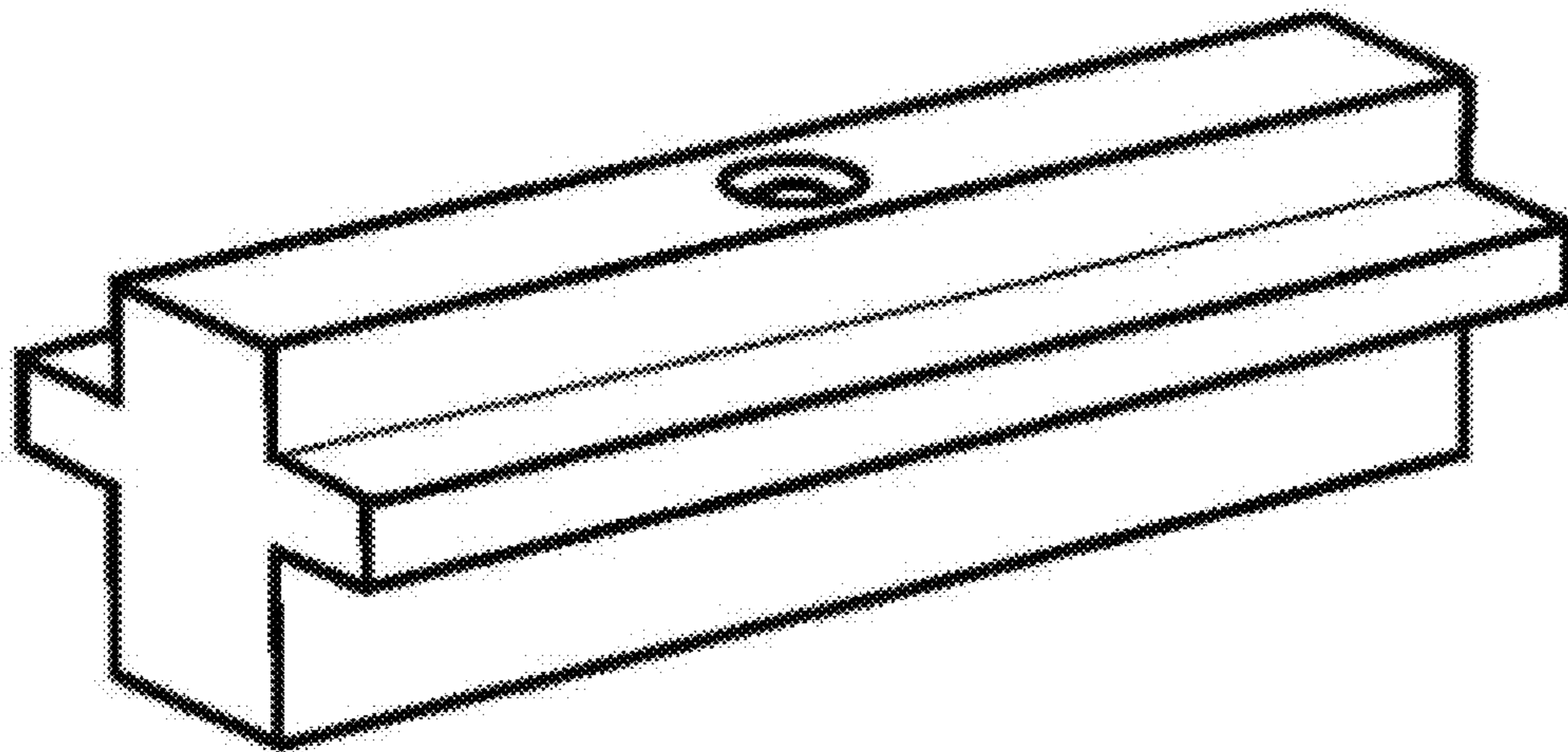
**1.7**



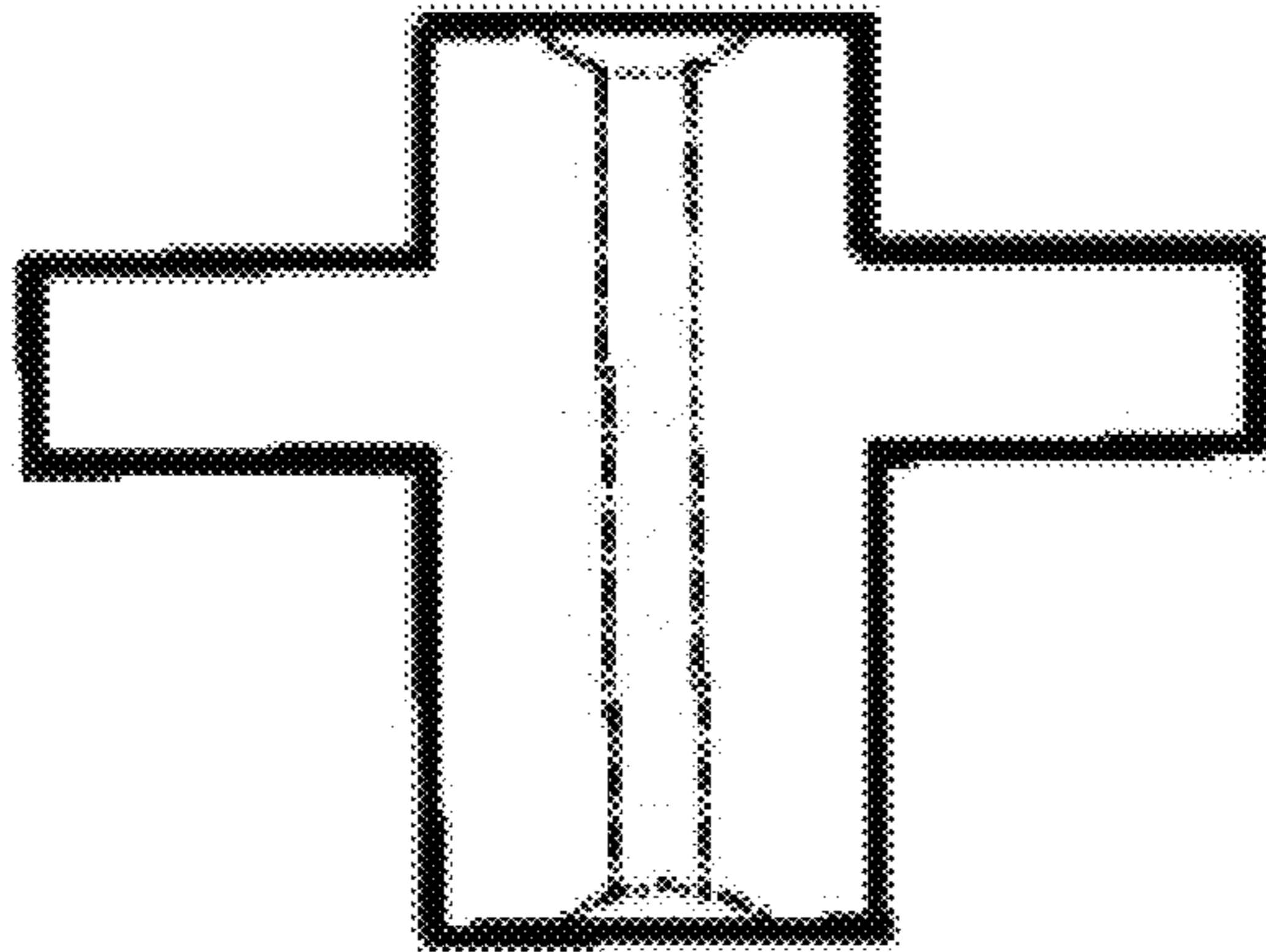
**2.1**



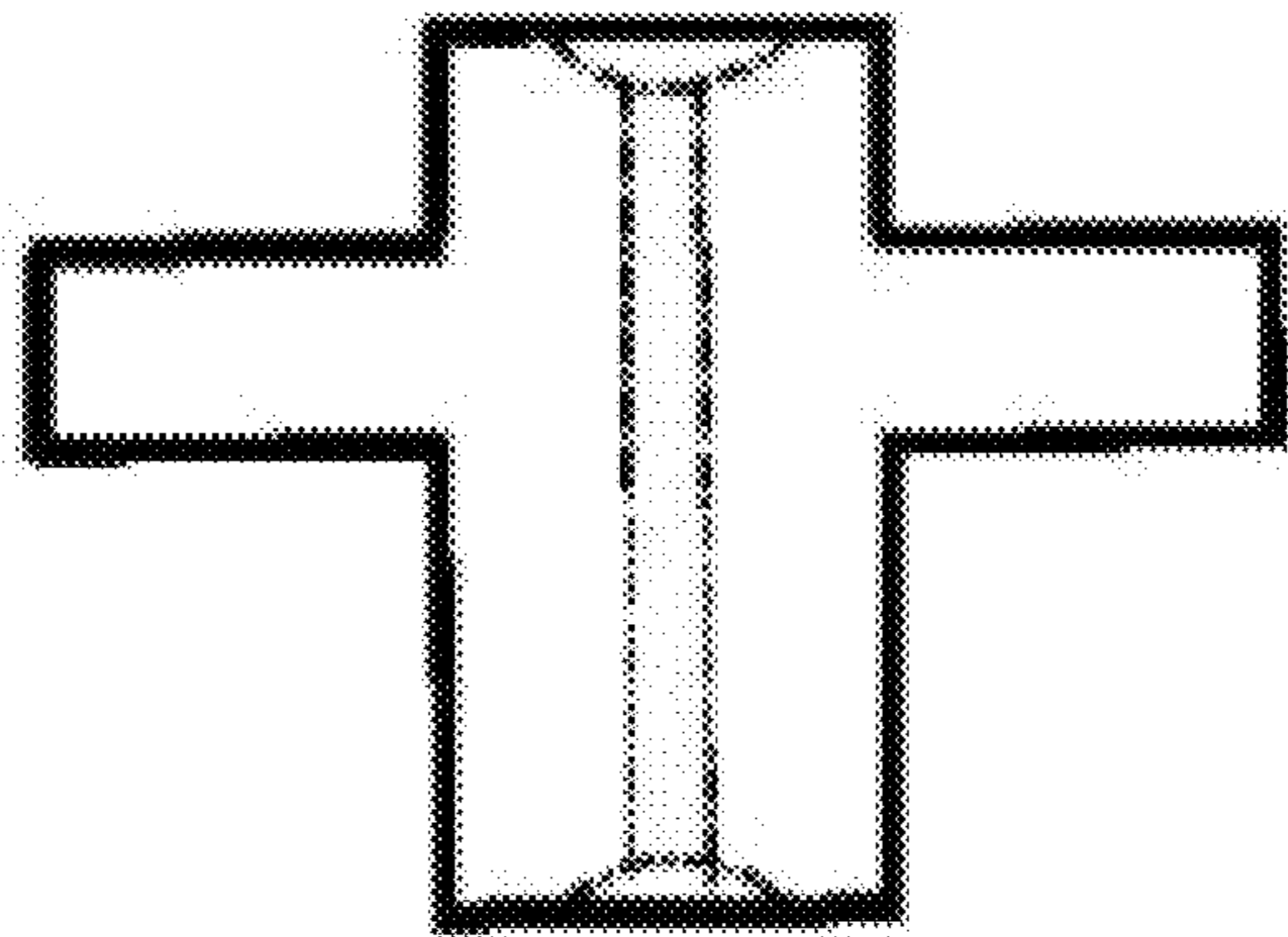
2.2



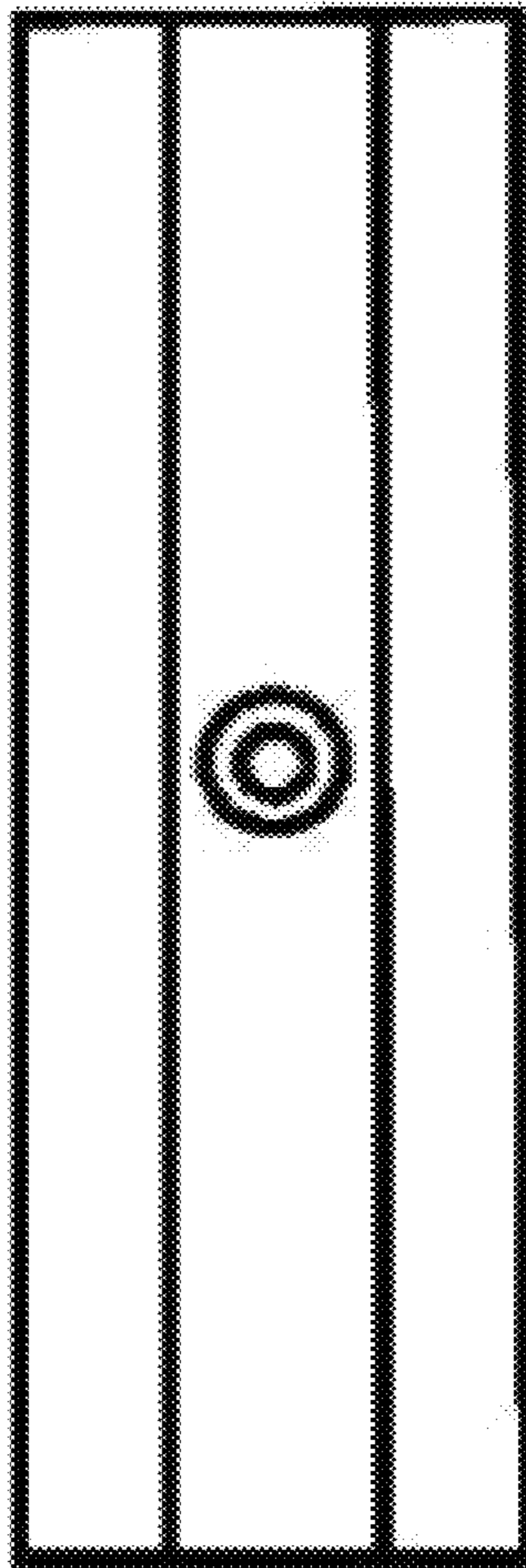
**2.3**



2.4

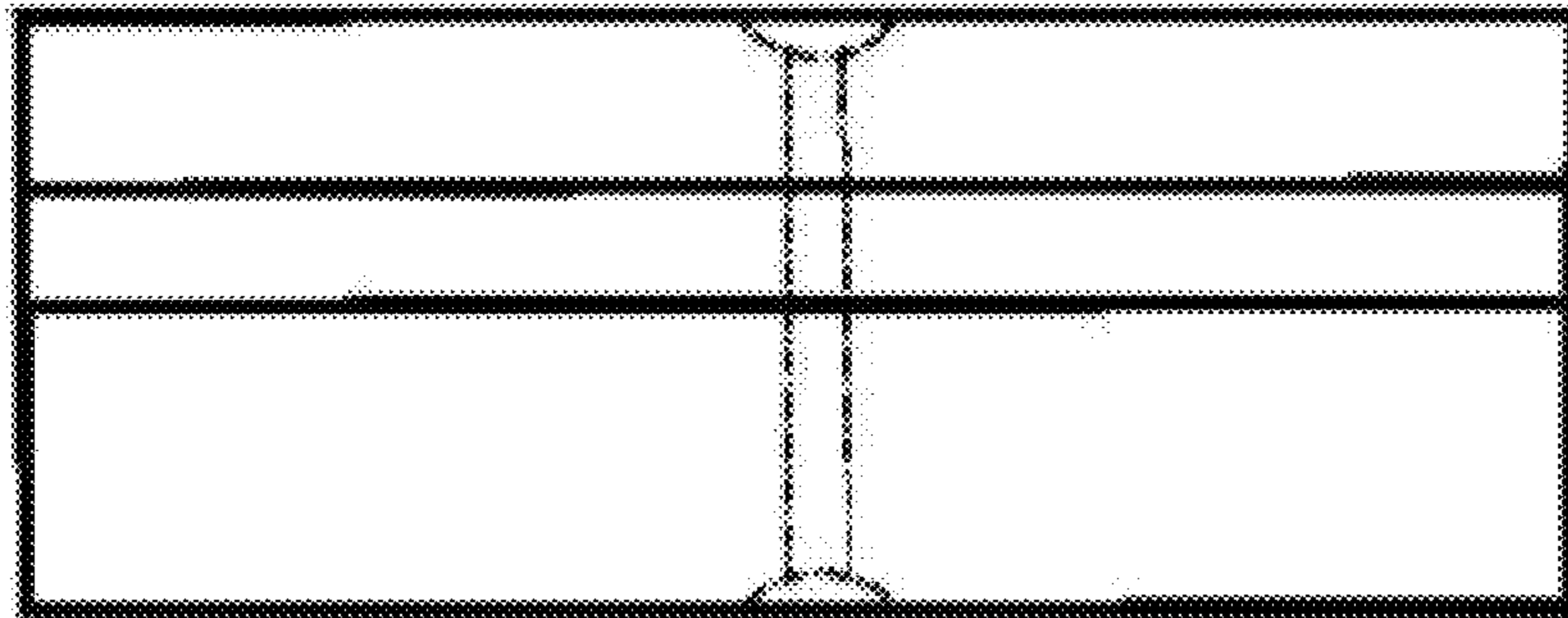


2.5

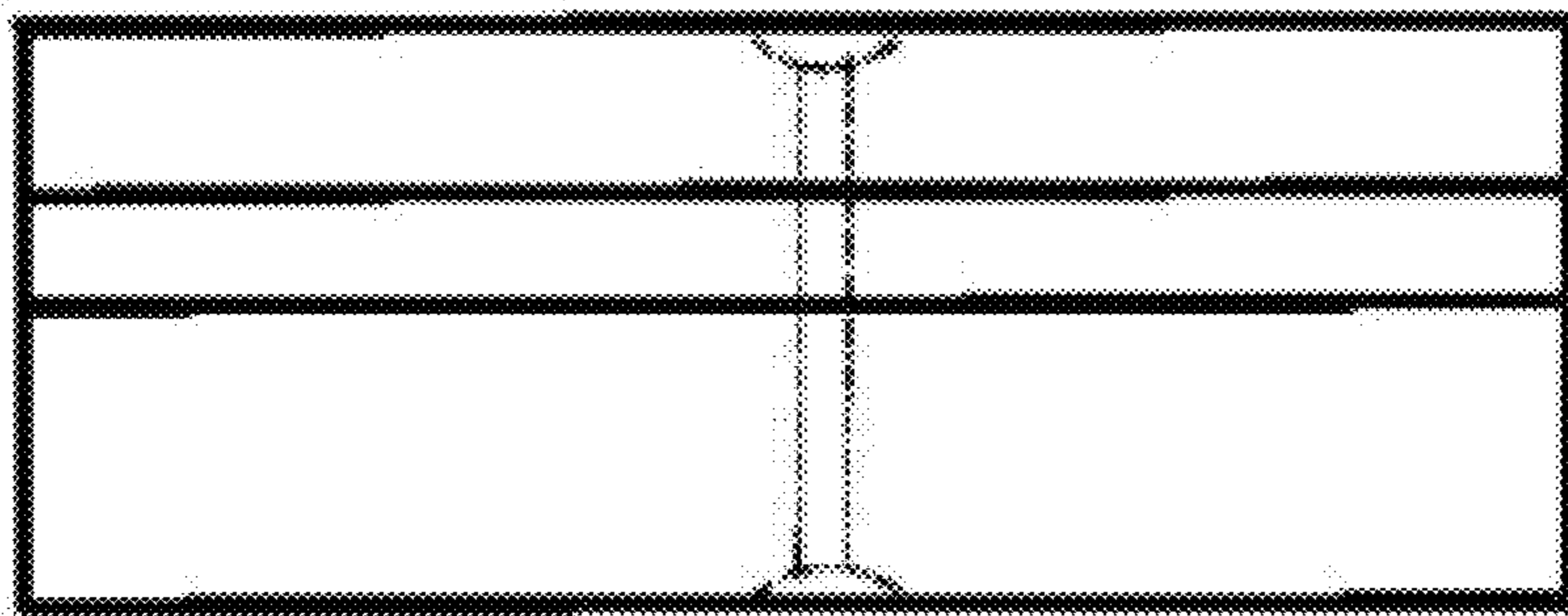




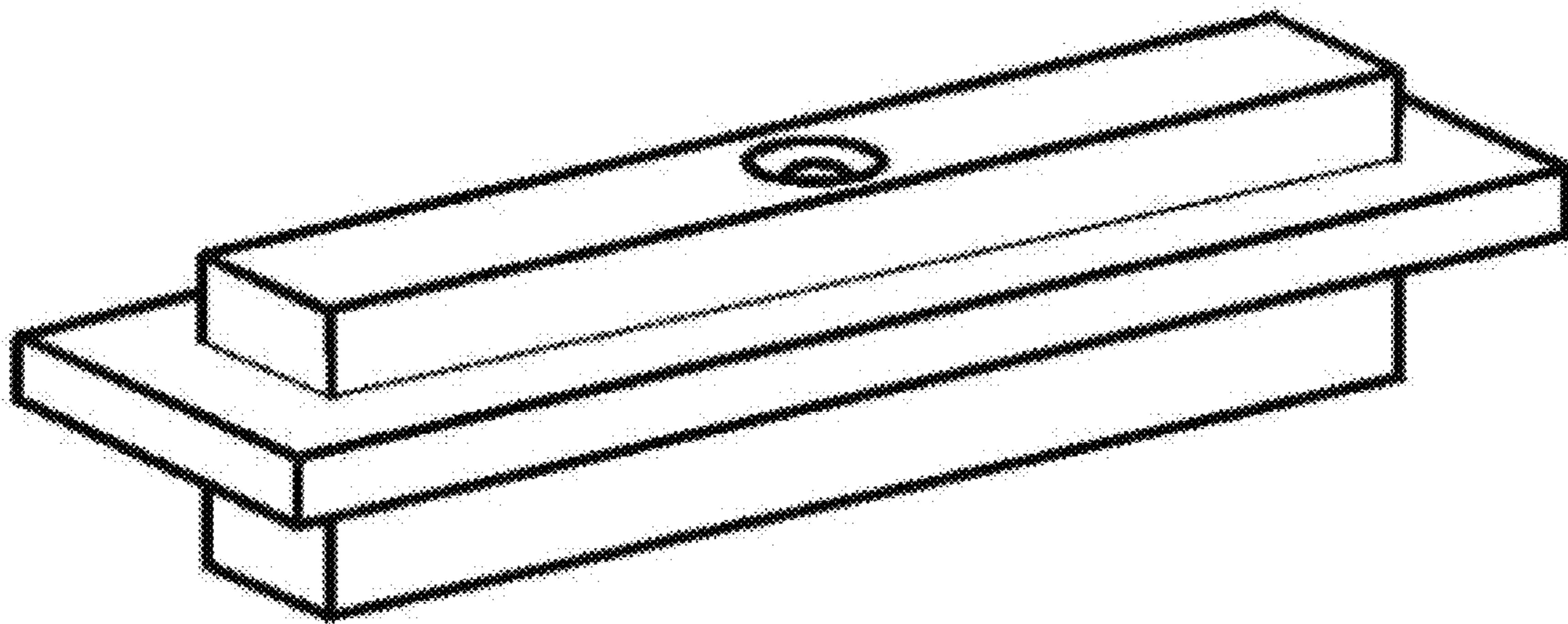
**2.6**



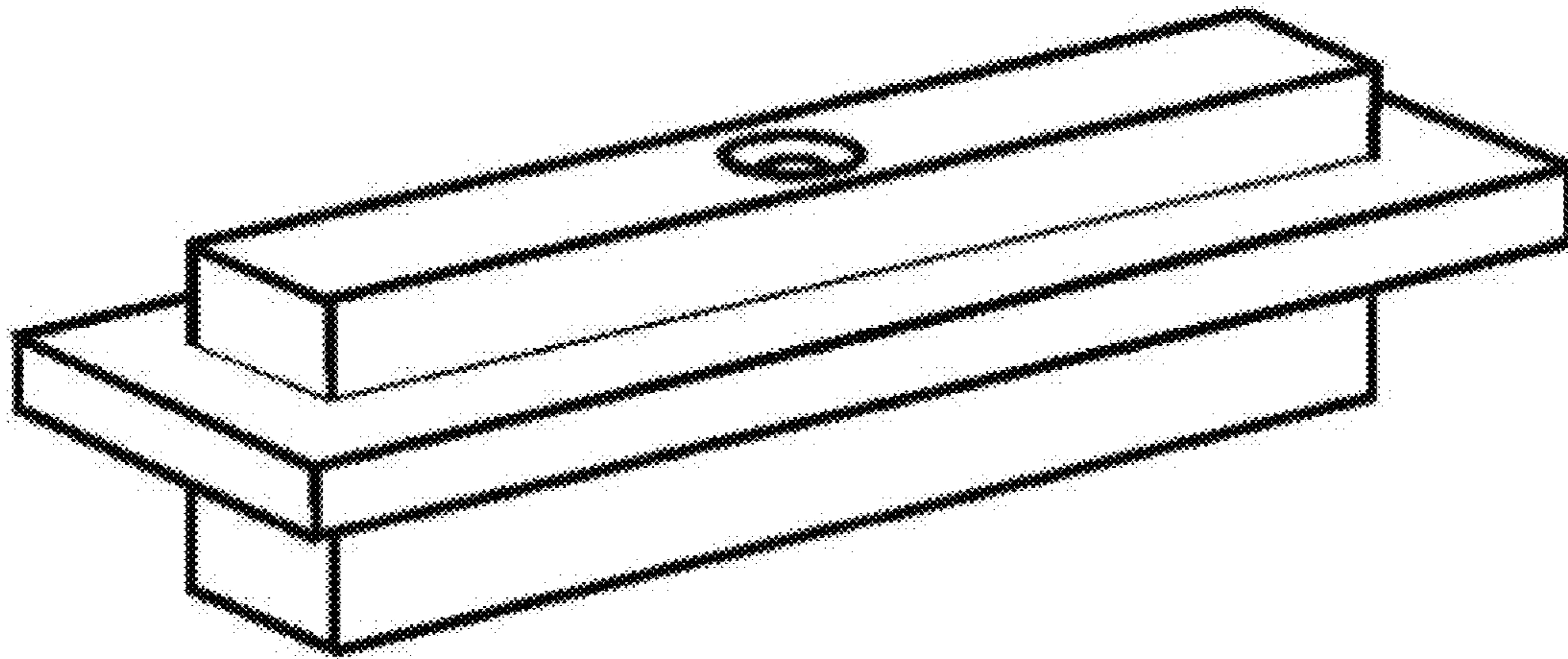
**2.7**



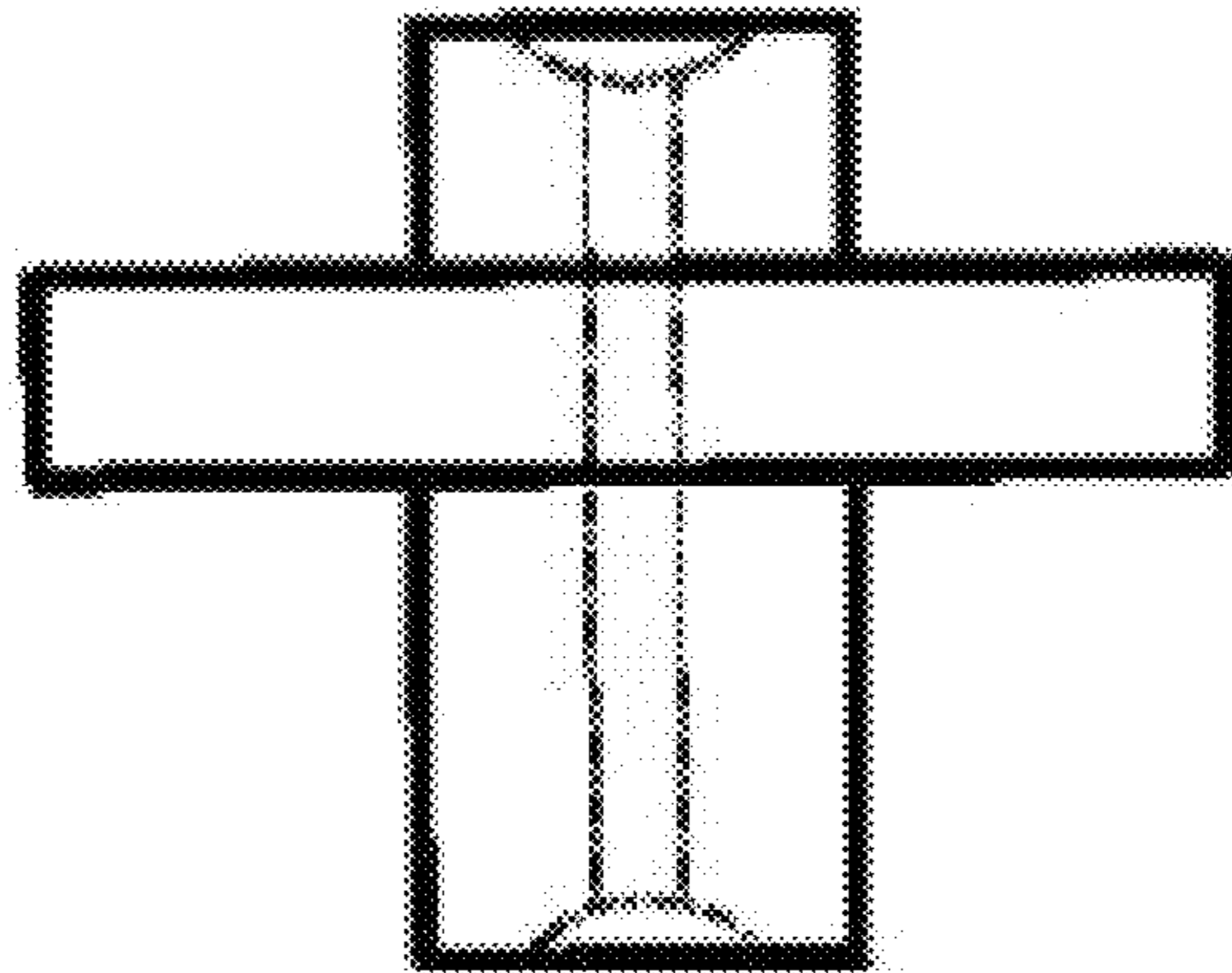
3.1



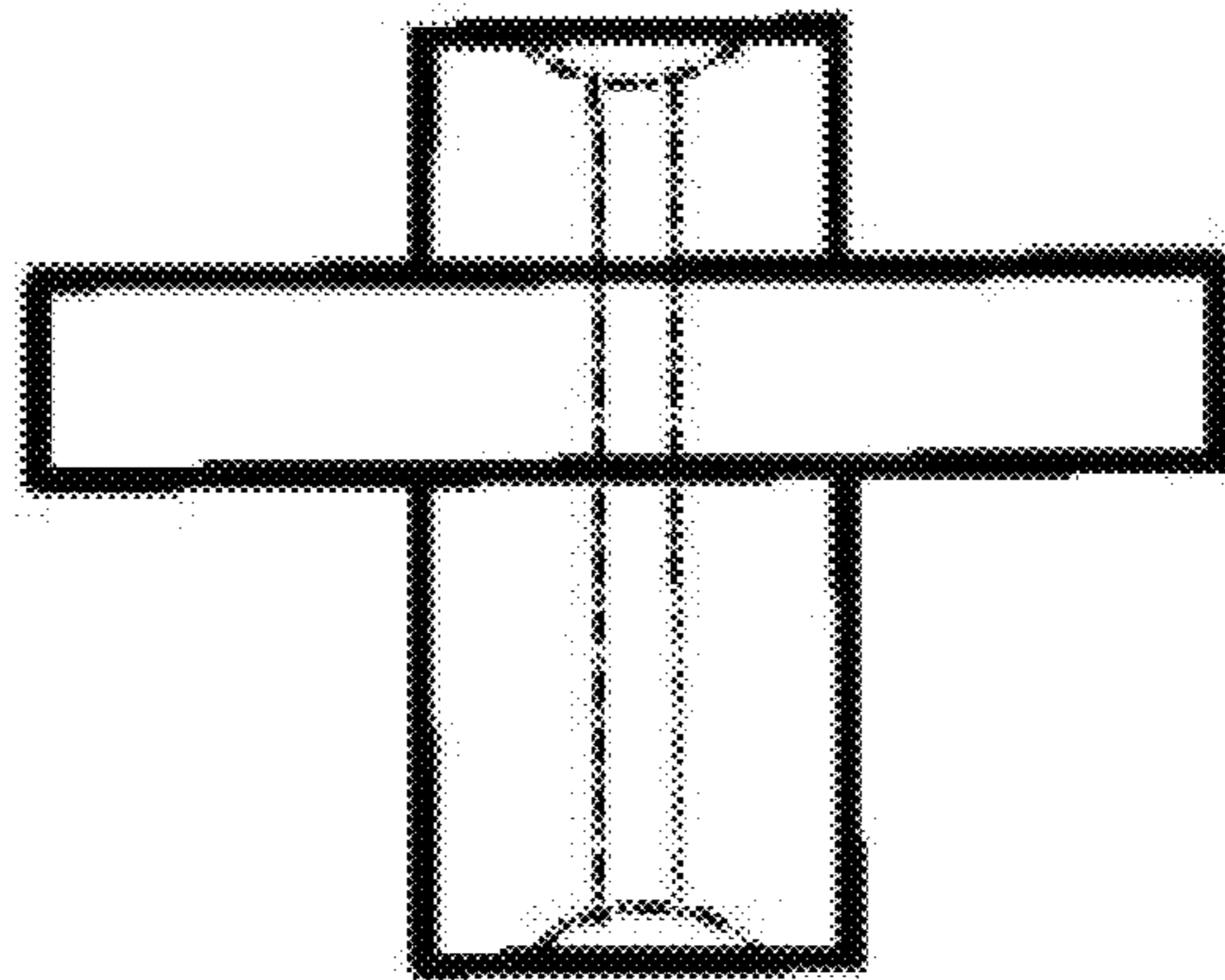
3.2



**3.3**

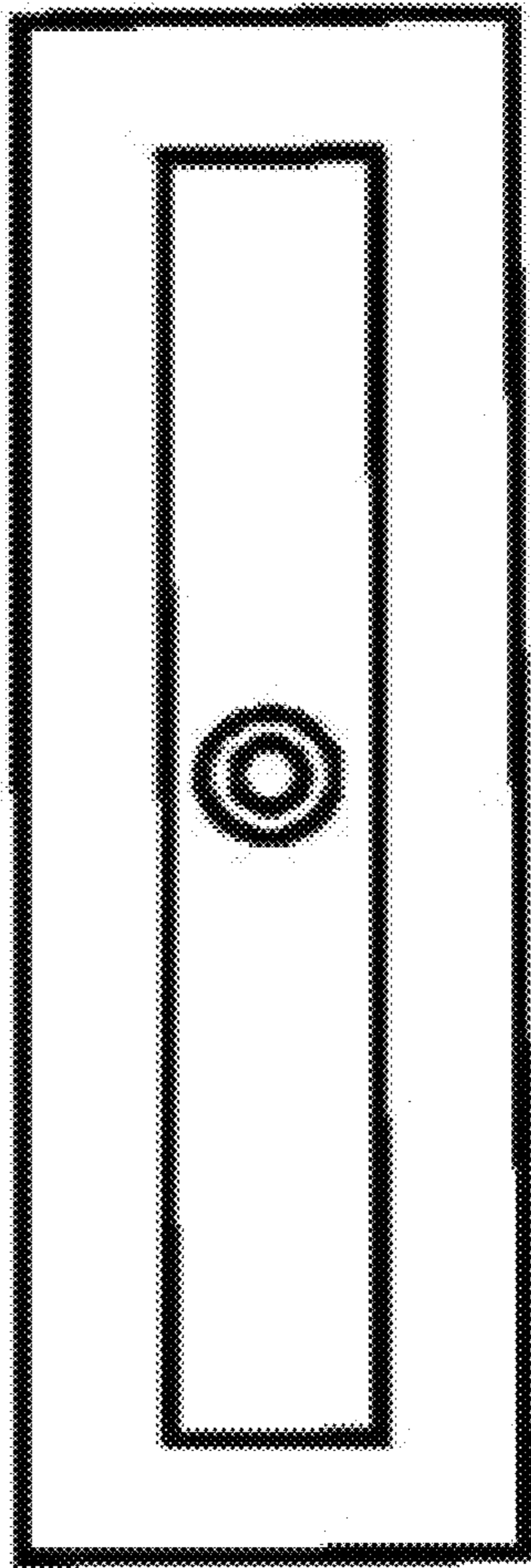


3.4

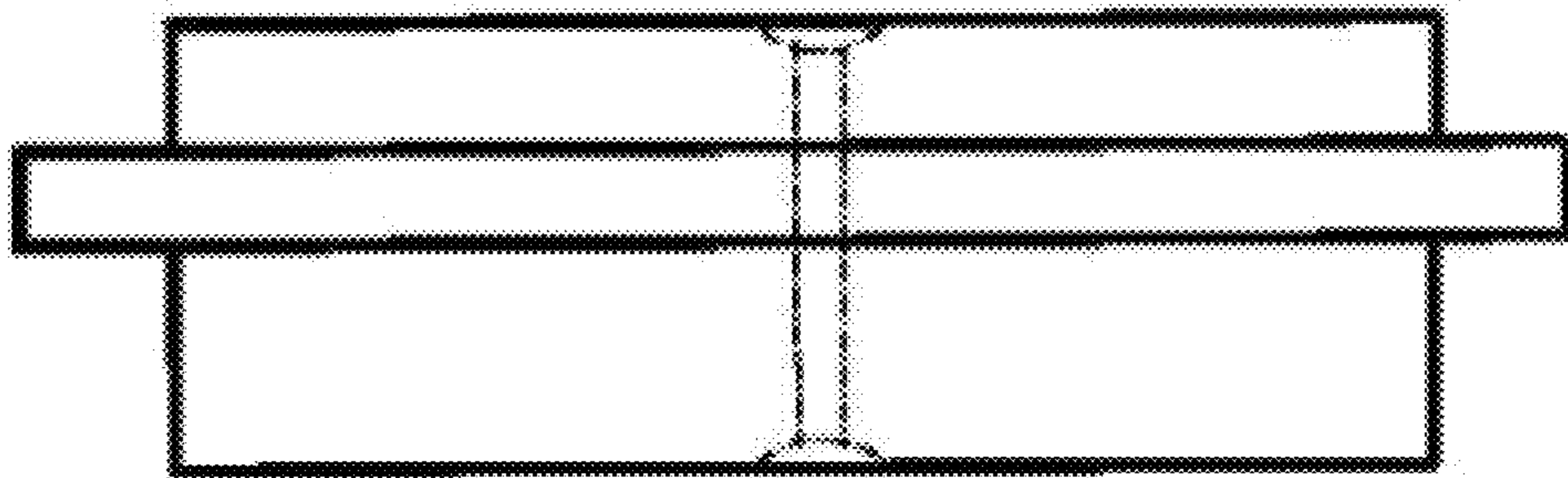




3.5



**3.6**



3.7

