



US00D826703S

(12) **United States Design Patent**  
**Neal**

(10) **Patent No.:** **US D826,703 S**

(45) **Date of Patent:** **\*\* Aug. 28, 2018**

(54) **BOW KNUCKLE**

(71) Applicant: **Omix-Ada, Inc.**, Suwanee, GA (US)

(72) Inventor: **Jesse Neal**, Dacula, GA (US)

(73) Assignee: **Omix-ADA, Inc.**, Suwanee, GA (US)

(\*\*) Term: **15 Years**

(21) Appl. No.: **29/604,614**

(22) Filed: **May 18, 2017**

(51) **LOC (11) Cl.** ..... **08-08**

(52) **U.S. Cl.**  
USPC ..... **D8/382**

(58) **Field of Classification Search**  
USPC ..... D8/382; D21/108, 839; 403/170, 171,  
403/176, 217, 292, 298  
CPC ..... A63H 33/00; A63H 33/04; A63H 33/06;  
A63H 33/08; A63H 33/10; A63H 33/12  
See application file for complete search history.

(56) **References Cited**

**U.S. PATENT DOCUMENTS**

D311,680 S \* 10/1990 Miall ..... D8/382  
5,003,741 A \* 4/1991 Yeh ..... A47B 47/0008  
312/140

5,169,258 A \* 12/1992 Raynak ..... E04B 1/585  
403/170  
D409,083 S \* 5/1999 Bernstein ..... D8/382  
D427,895 S \* 7/2000 Morton ..... D8/382  
D690,370 S \* 9/2013 Macadam ..... D21/487

\* cited by examiner

*Primary Examiner* — Randall H Gholson

(74) *Attorney, Agent, or Firm* — Womble Bond Dickinson  
(US) LLP

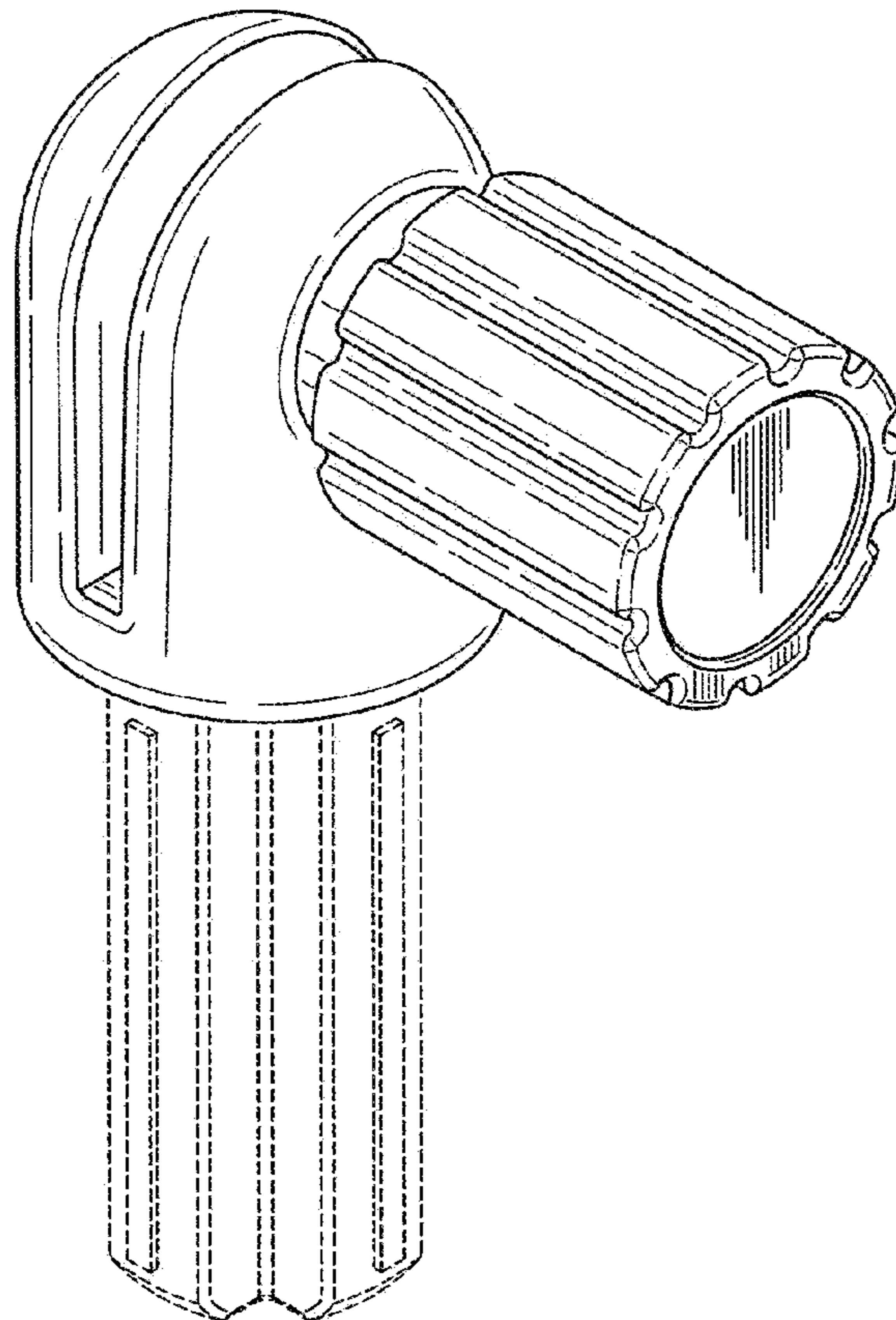
(57) **CLAIM**

The ornamental design for a bow knuckle, as shown and described.

**DESCRIPTION**

FIG. 1 is a right front perspective view of a bow knuckle showing my new design.  
FIG. 2 is a front elevational view thereof.  
FIG. 3 is a rear elevational view thereof.  
FIG. 4 is a right side elevational view thereof.  
FIG. 5 is a left side elevational view thereof.  
FIG. 6 is a top plan view thereof; and,  
FIG. 7 is a bottom plan view thereof.  
The broken lines shown in the drawings represent visible environmental structure or unclaimed portions of the structure of the bow knuckle, and form no part of the claimed design.

**1 Claim, 3 Drawing Sheets**



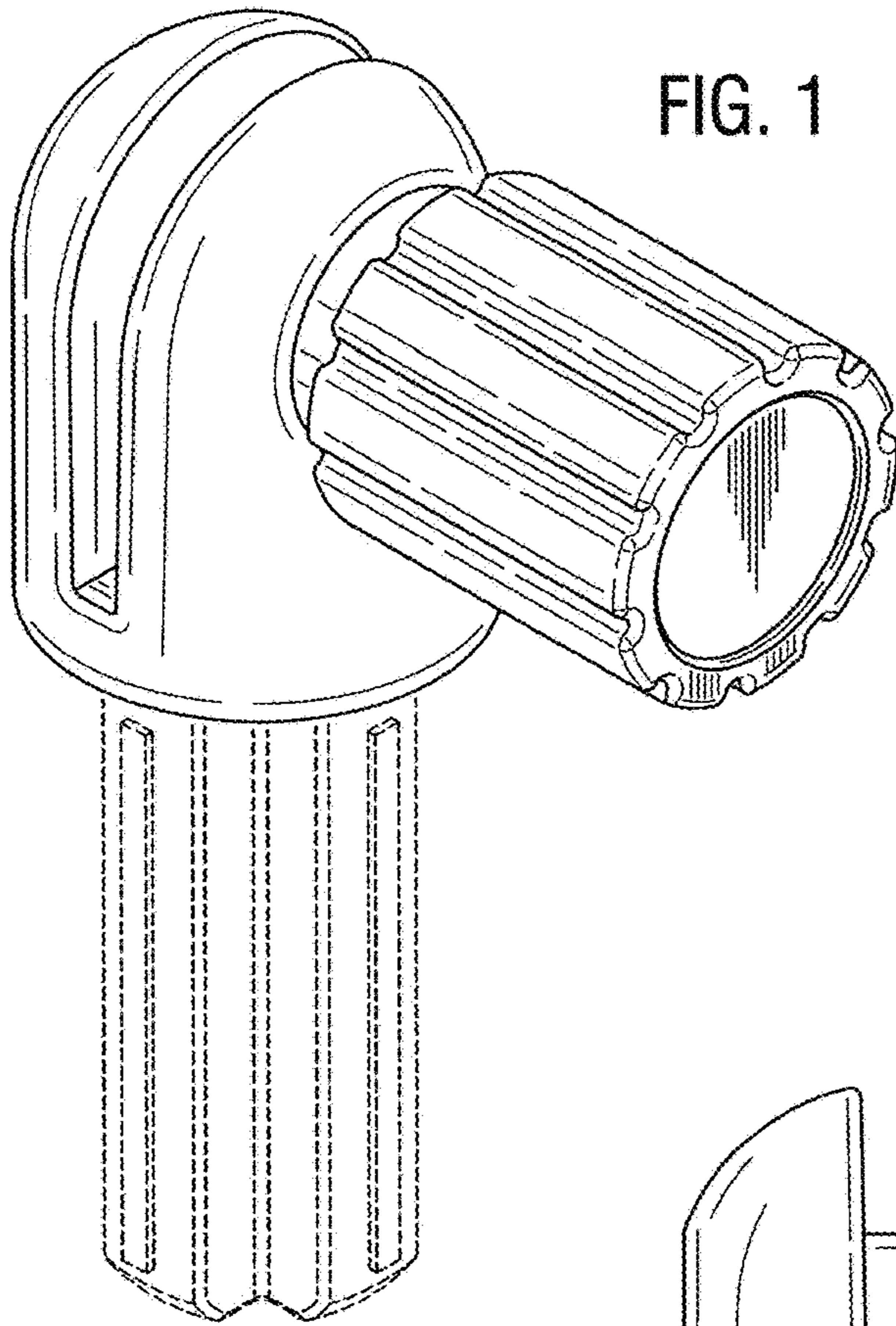
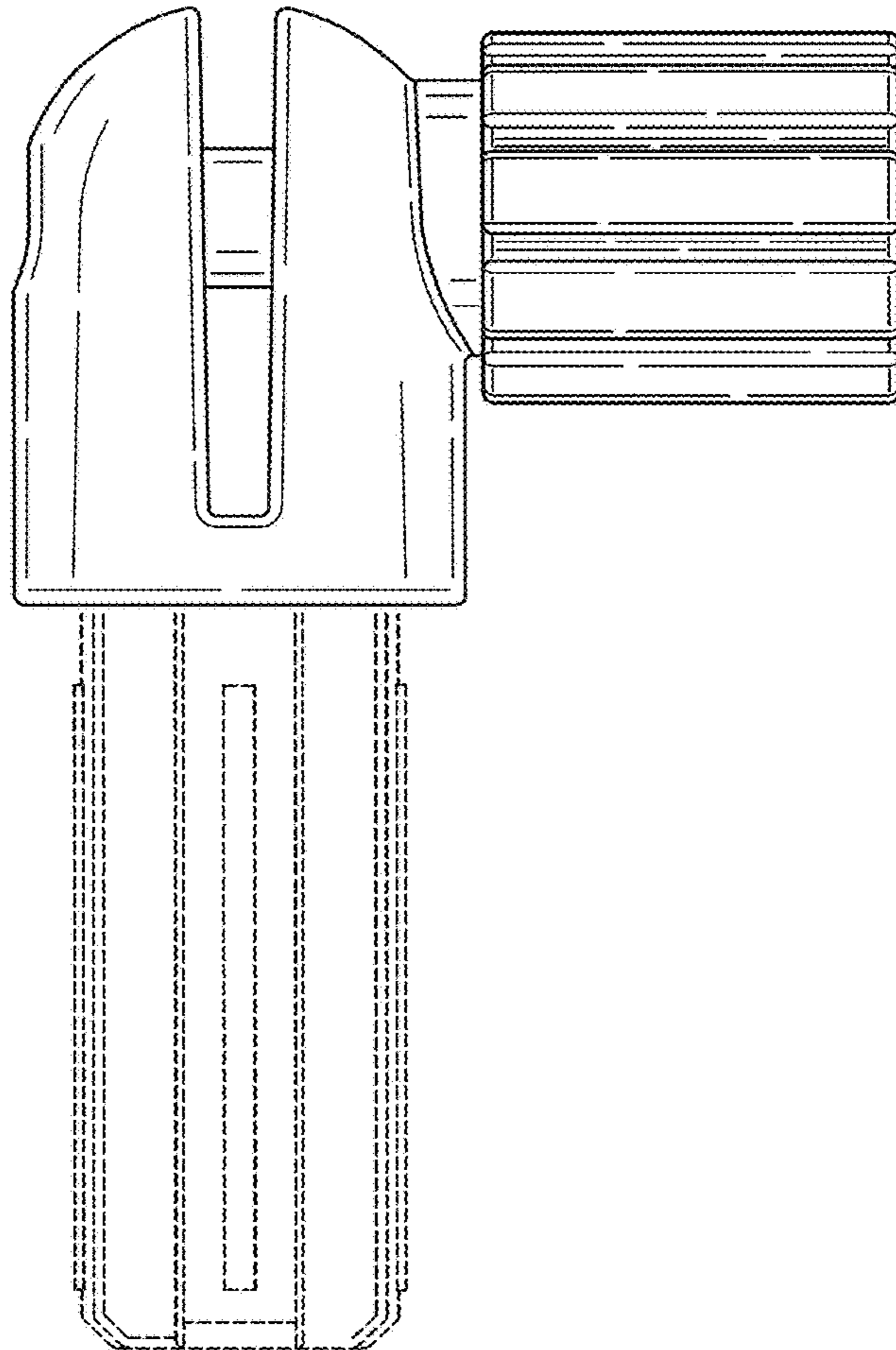


FIG. 1

FIG. 2



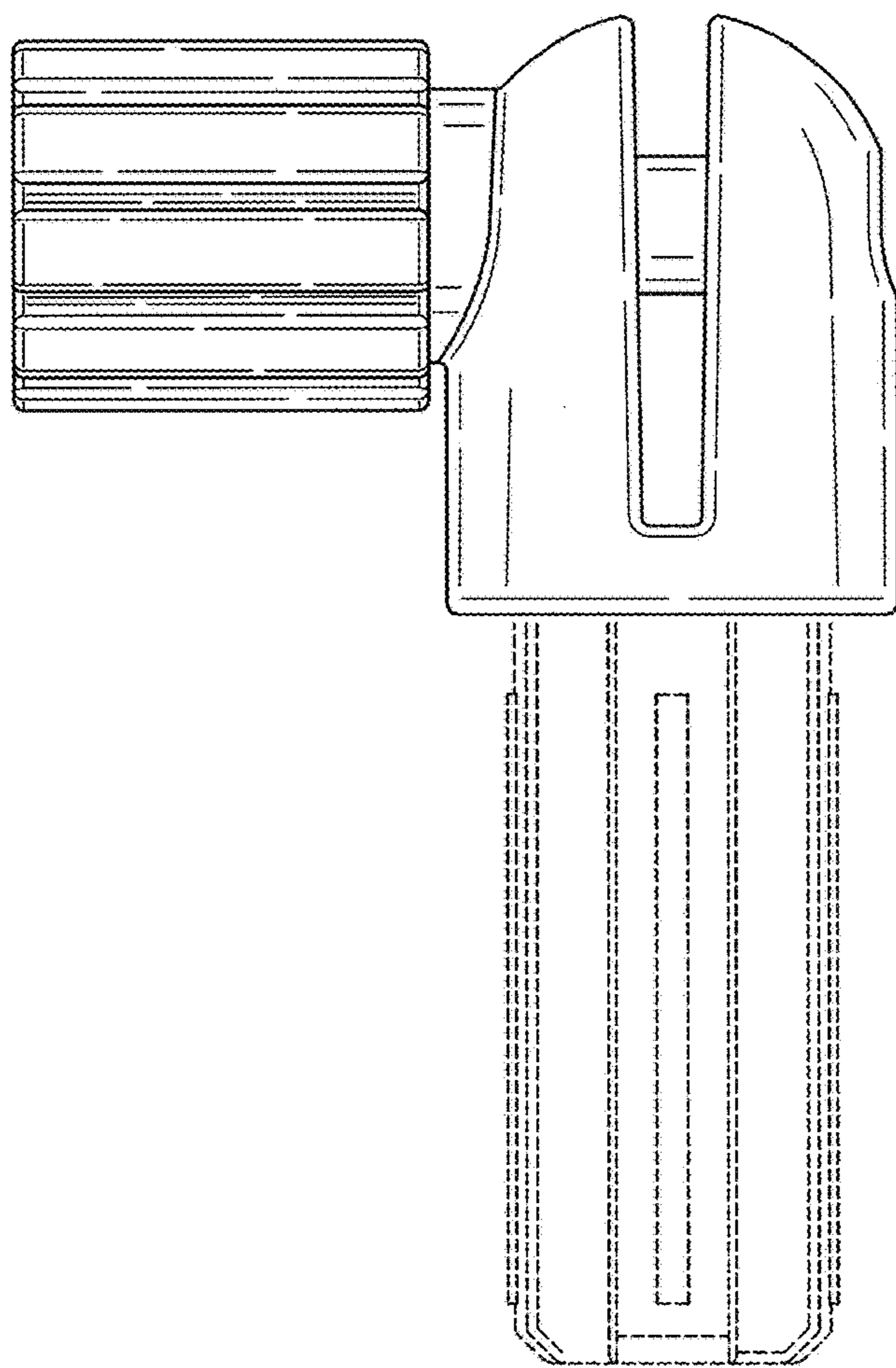
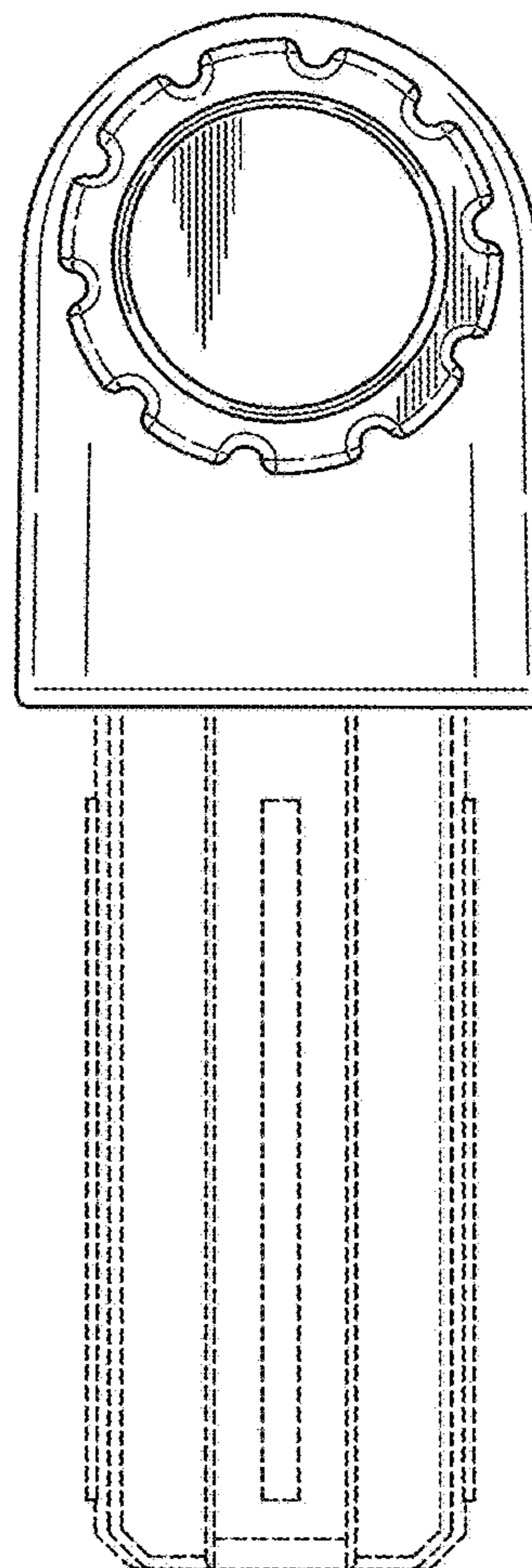


FIG. 3

FIG. 4



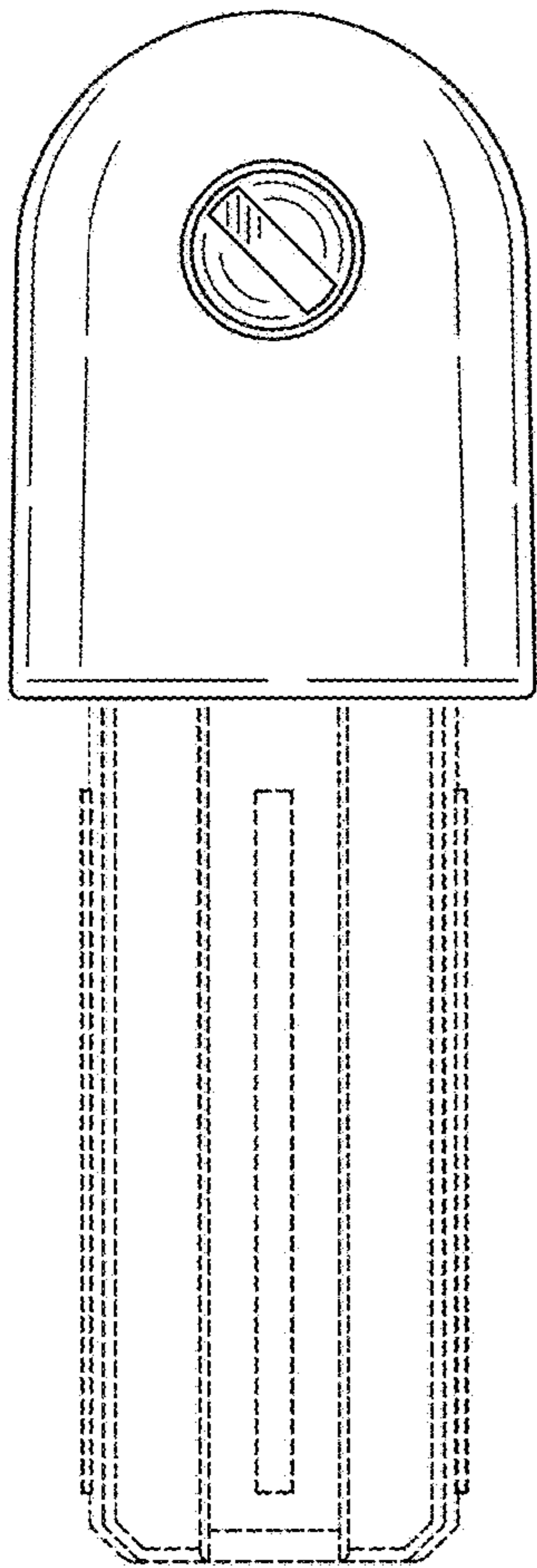


FIG. 5

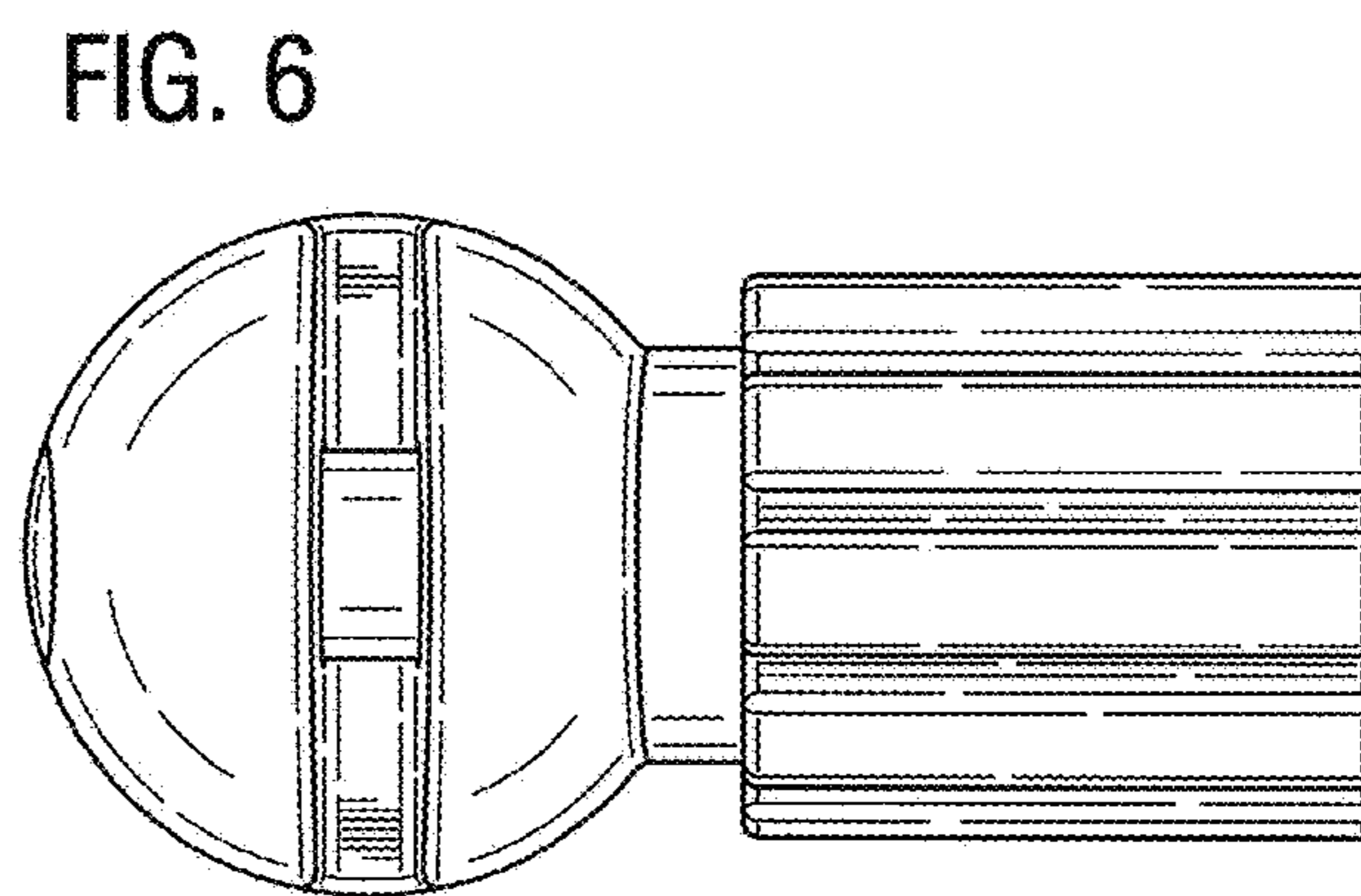


FIG. 6

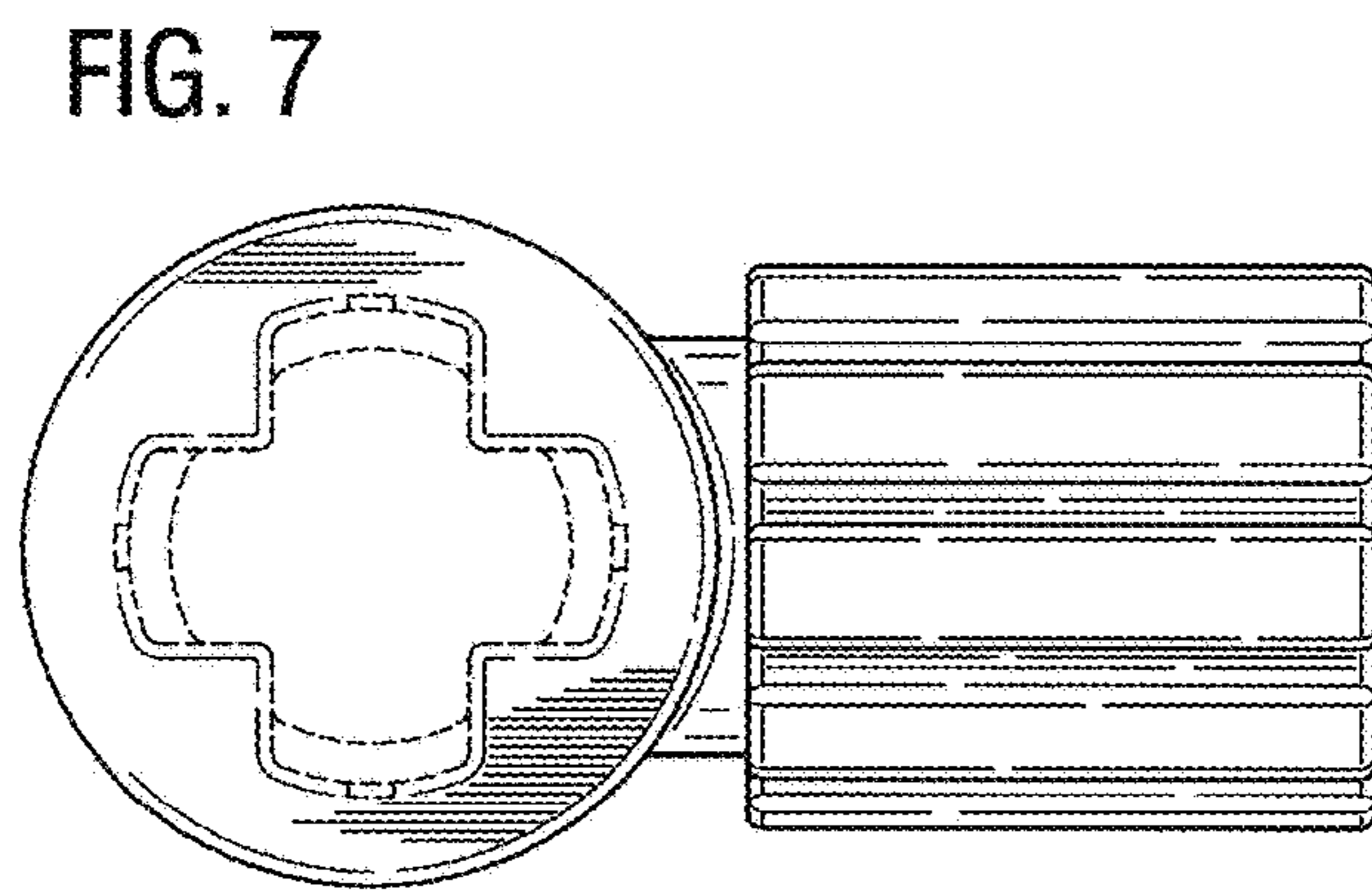


FIG. 7