



US00D826702S

(12) **United States Design Patent** (10) **Patent No.:** **US D826,702 S**
Barnes et al. (45) **Date of Patent:** **** Aug. 28, 2018**

(54) **PILE GUIDE FOR DOCKS FOR INTERNAL APPLICATION**
(71) Applicants: **Sean A. Barnes**, Mt. Pleasant, SC (US);
Neal Black, Goose Creek, SC (US)
(72) Inventors: **Sean A. Barnes**, Mt. Pleasant, SC (US);
Neal Black, Goose Creek, SC (US)
(**) Term: **15 Years**
(21) Appl. No.: **29/597,120**
(22) Filed: **Mar. 14, 2017**
(51) **LOC (11) Cl.** **08-08**
(52) **U.S. Cl.**
USPC **D8/382**
(58) **Field of Classification Search**
USPC D8/354, 356, 349, 355, 382, 385, 386,
D8/388; D25/133
CPC E01D 15/14; E02B 3/064; E02B 3/068;
E02B 3/28; B63C 1/02; B63B 35/34;
B63B 21/00; F16C 11/04
See application file for complete search history.

D629,678 S * 12/2010 Norton D25/133
D658,045 S * 4/2012 Tabler D8/382
D667,297 S * 9/2012 McLaughlin D25/133
D671,397 S * 11/2012 McLaughlin D25/133
D689,207 S * 9/2013 Benet D25/133
D701,107 S * 3/2014 White D8/354
D735,896 S * 8/2015 Reusing D25/133
D754,880 S * 4/2016 Reusing D25/133
2002/0104470 A1* 8/2002 Leise B63B 21/00
114/230.15
2006/0022189 A1* 2/2006 Collins, IV E04H 12/2261
256/65.14
2014/0356076 A1* 12/2014 Hale E02D 5/223
405/255
2017/0217266 A1* 8/2017 Andersen B60D 1/488

* cited by examiner

Primary Examiner — Sandra S Snapp
Assistant Examiner — Ieisha N Price
(74) *Attorney, Agent, or Firm* — B. Craig Killough;
Barnwell Whaley Patterson & Helms

(57) **CLAIM**

The ornamental design for a pile guide for docks for internal application, as shown and described.

DESCRIPTION

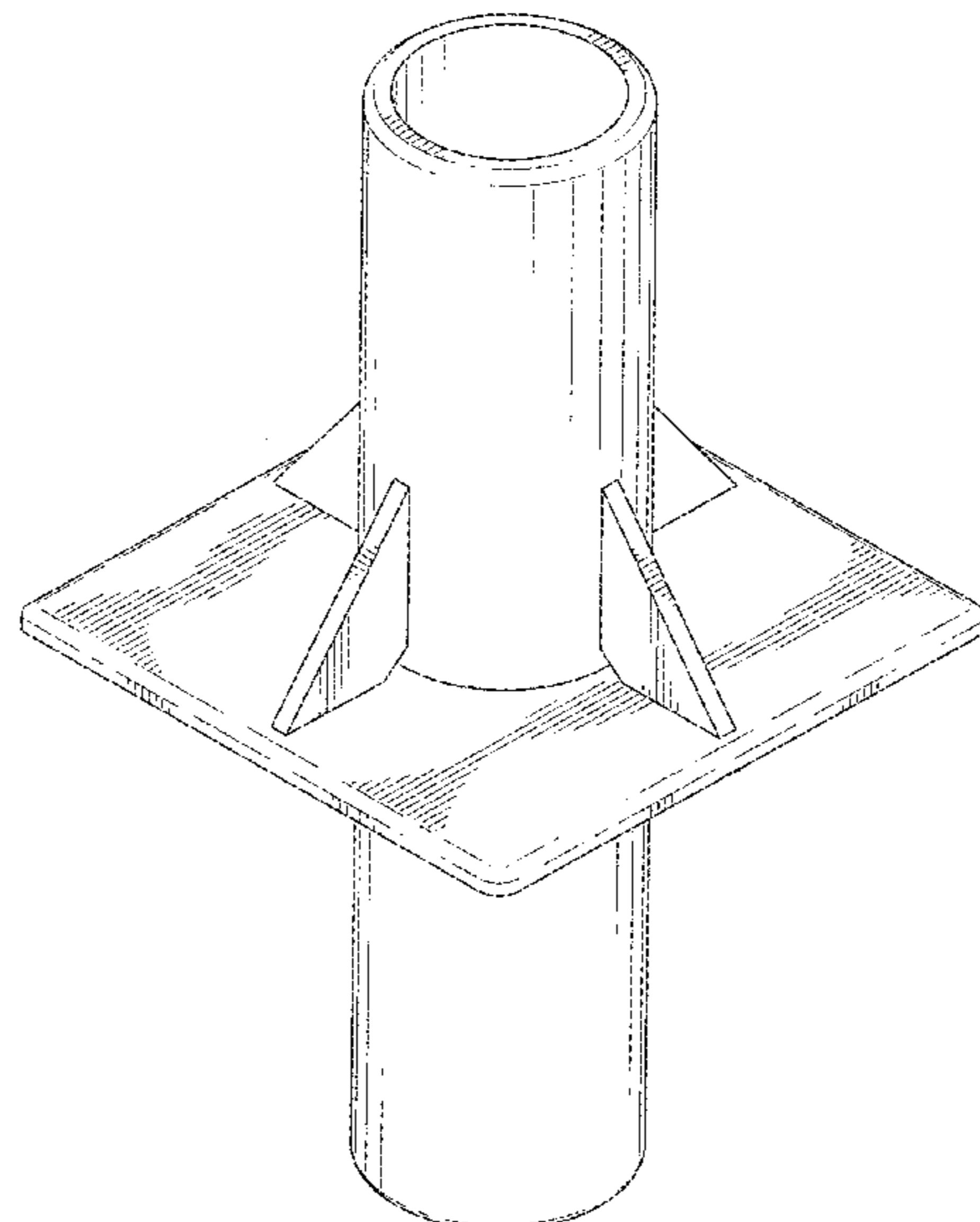
FIG. 1 is a top perspective view of a pile guide for docks for internal application showing the new design;
FIG. 2 is a bottom perspective view of the pile guide for docks for internal application;
FIG. 3 is a top plan view of the pile guide for docks for internal application;
FIG. 4 is a bottom plan view of the pile guide for docks for internal application; and,
FIG. 5 is a front elevation of the pile guide for docks for internal application; the rear elevation, right side and left side of the pile guide for docks for internal application are identical in appearance to the front elevation.

1 Claim, 5 Drawing Sheets

(56) **References Cited**

U.S. PATENT DOCUMENTS

D213,134 S * 1/1969 Merritt D25/68
D258,194 S * 2/1981 Stanley D25/126
4,352,597 A * 10/1982 Kay E02B 3/068
114/263
6,015,139 A * 1/2000 Weber E04F 11/1812
256/65.14
6,098,564 A * 8/2000 Zeilinger B63C 13/00
114/263
D452,424 S * 12/2001 Simpson, Sr. D8/107
D464,014 S * 10/2002 Adams D12/223
D508,571 S * 8/2005 Weiser D25/133
D579,759 S * 11/2008 Strait D8/349
D592,765 S * 5/2009 Jeanveau D25/133
D595,115 S * 6/2009 Royer D8/354



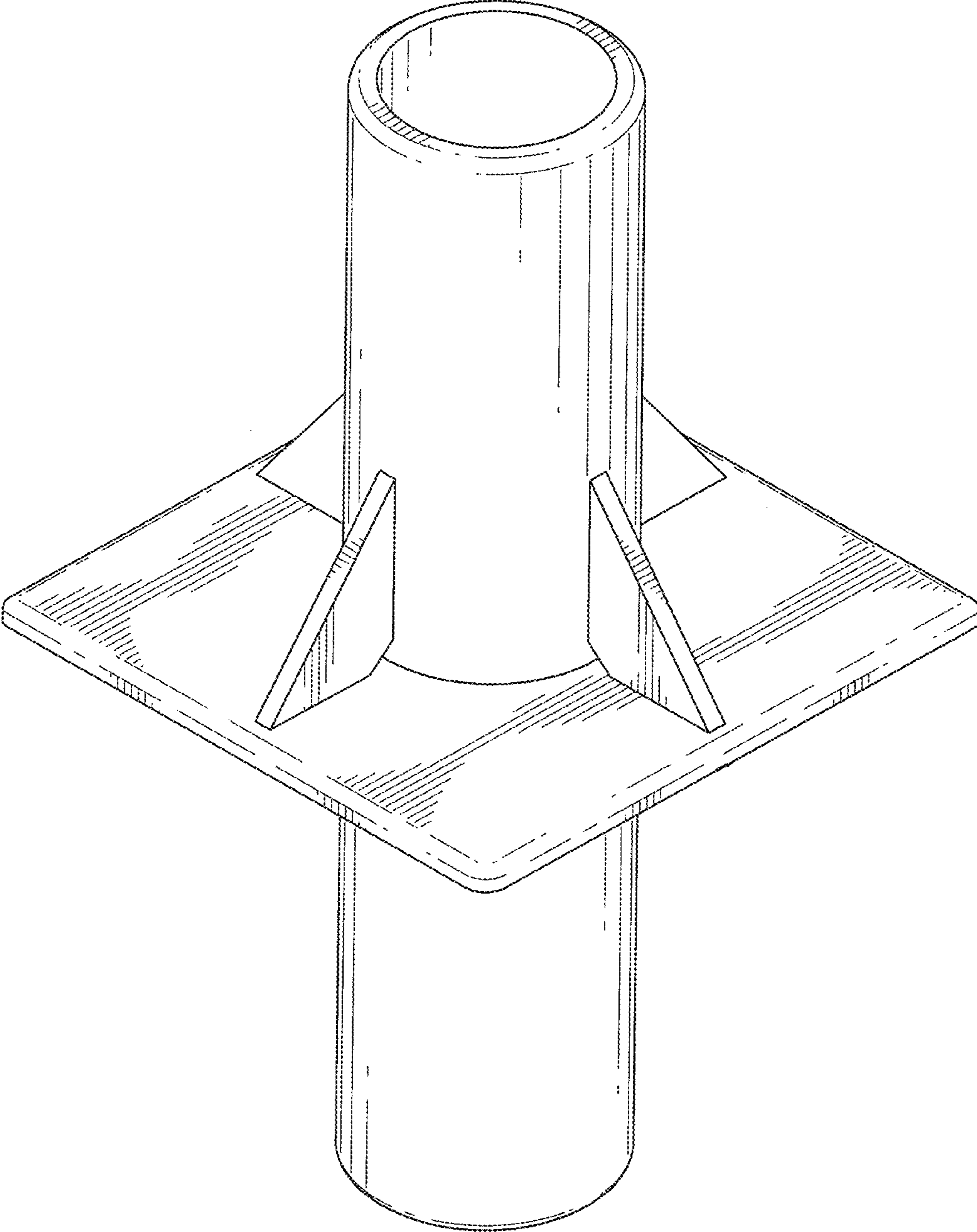


FIG. 1

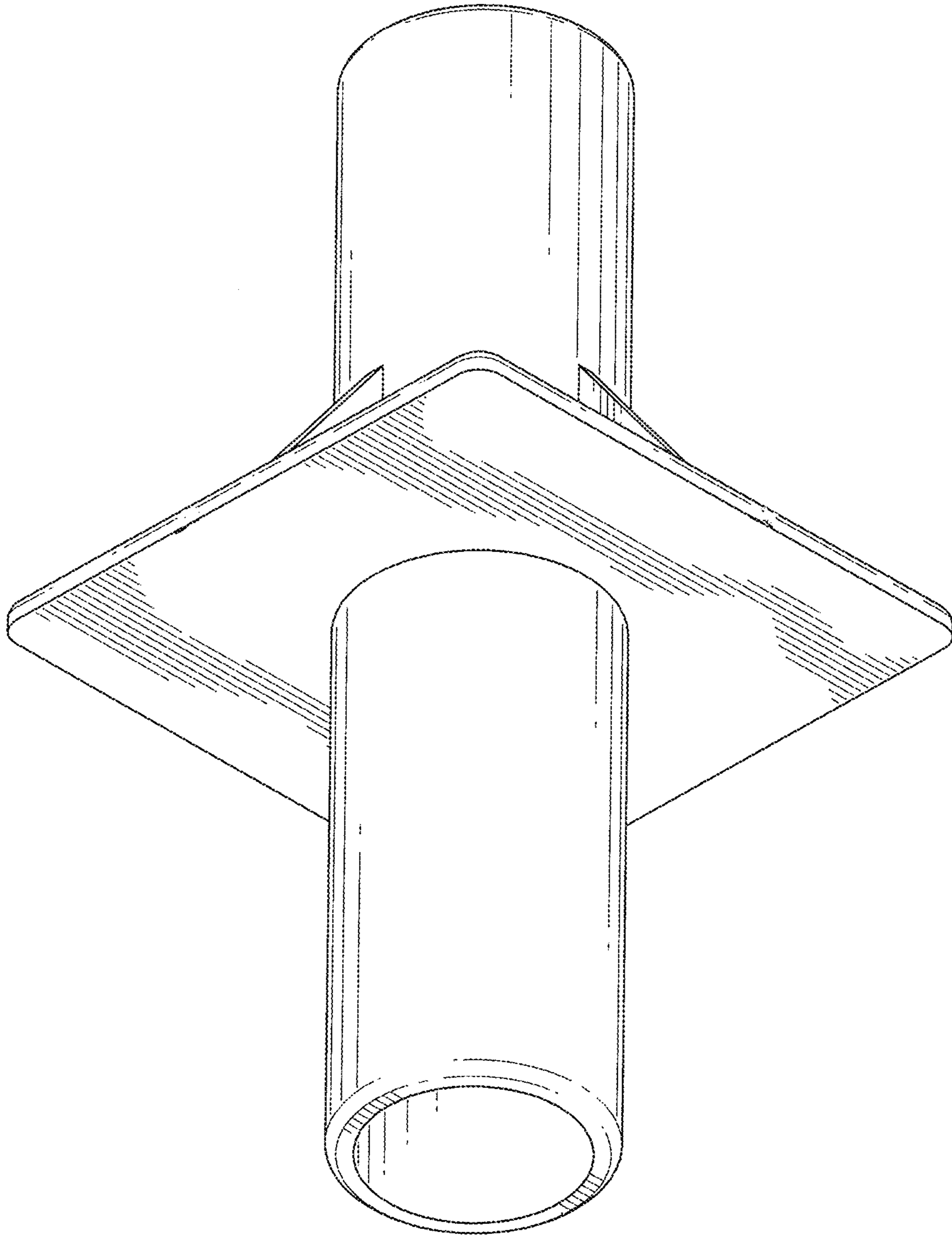


FIG. 2

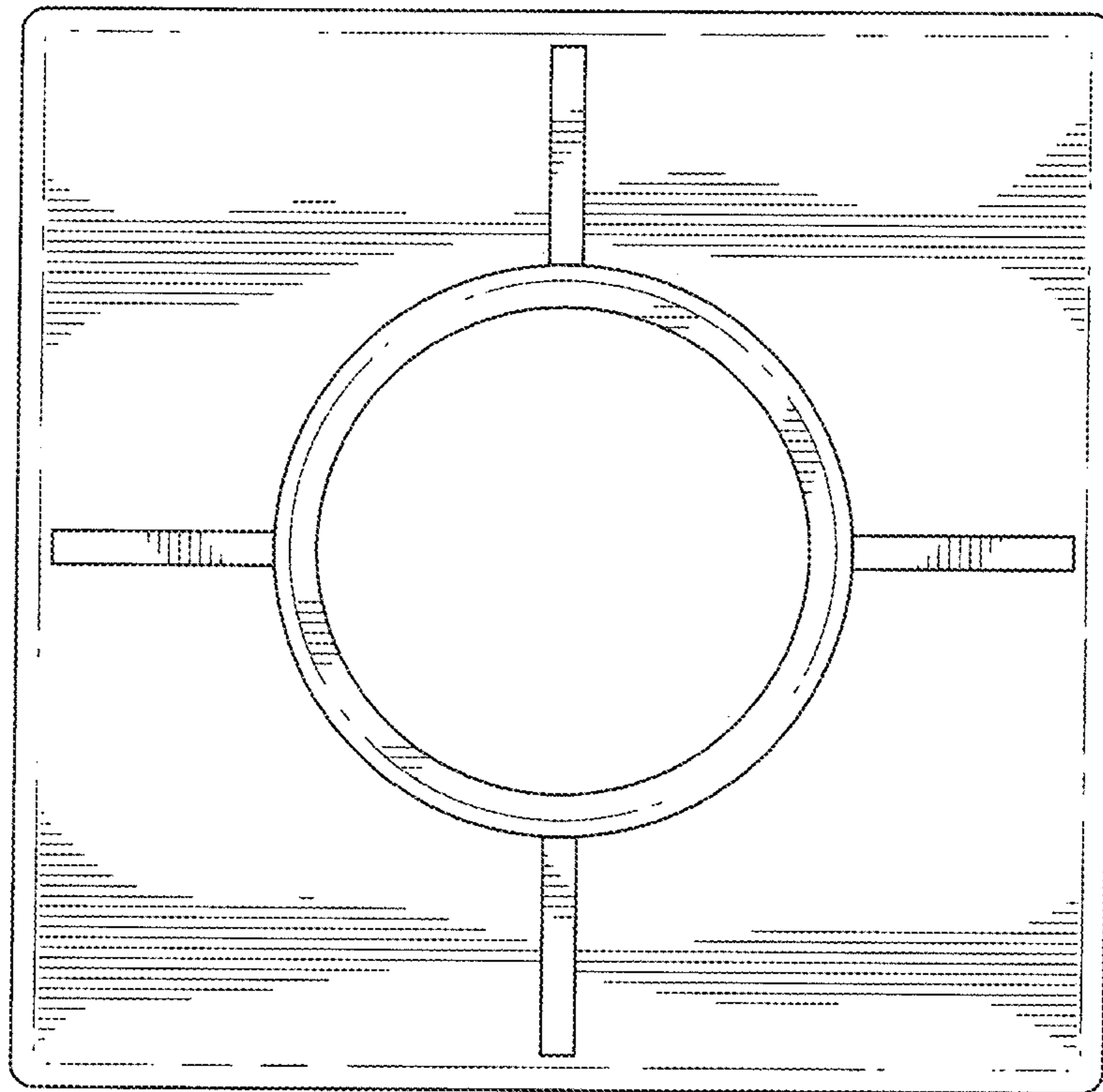


FIG. 3

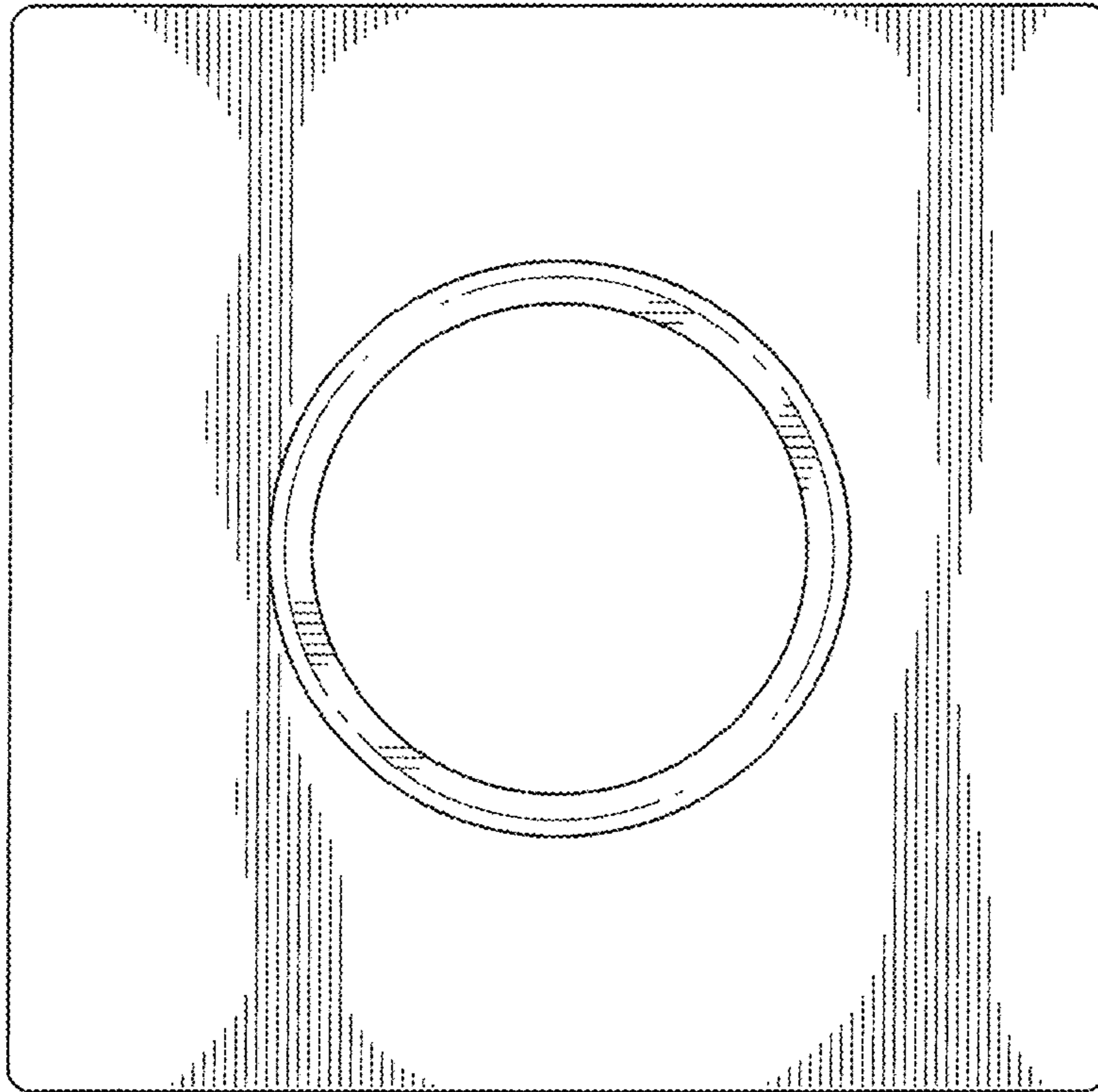


FIG. 4

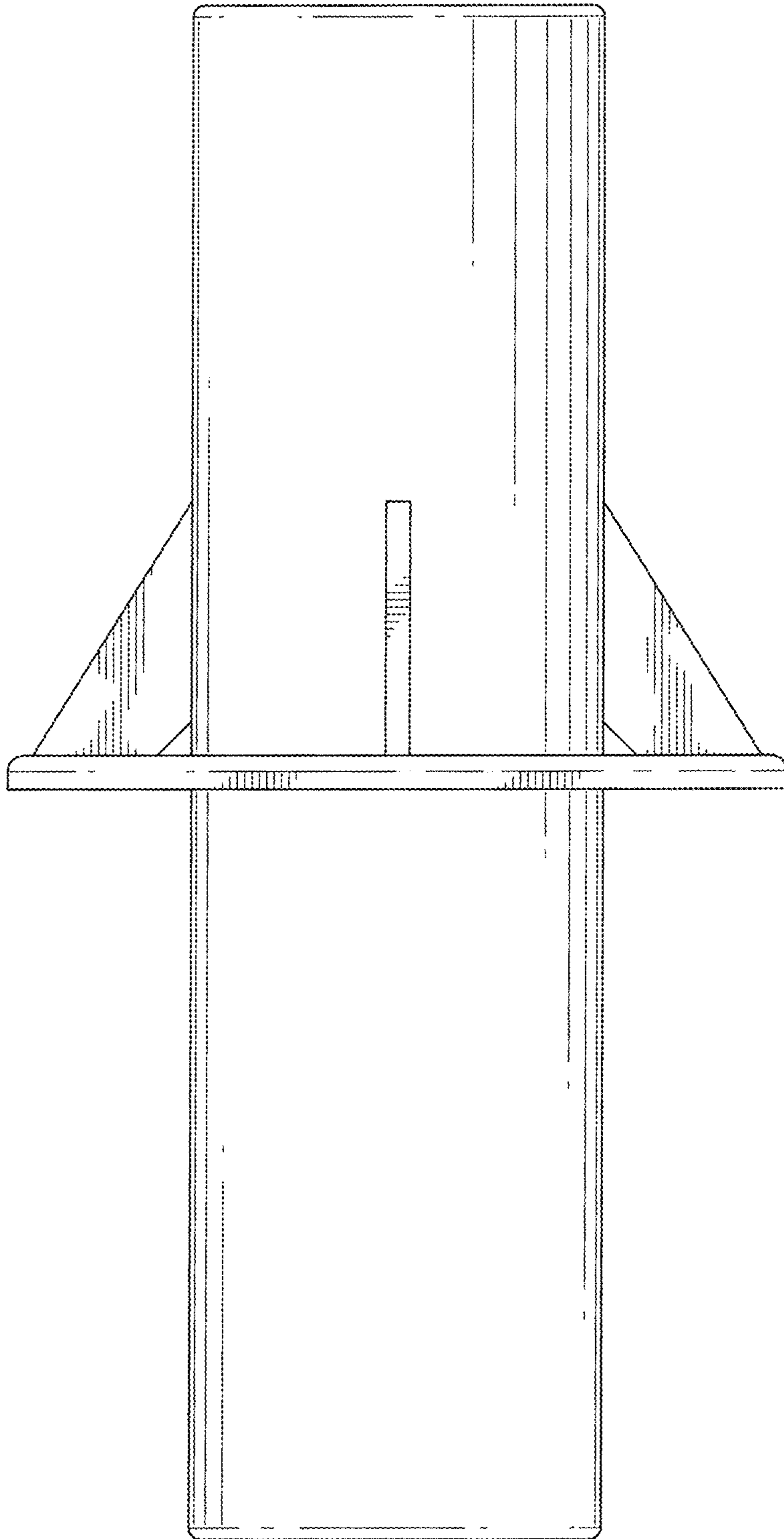


FIG. 5