



US00D826701S

(12) **United States Design Patent**  
**Lu et al.**

(10) **Patent No.:** **US D826,701 S**  
(45) **Date of Patent:** **\*\* Aug. 28, 2018**

(54) **BRACKET FOR A SHELVING SYSTEM**

(71) Applicant: **Sumter Easy Home LLC**, Sumter, SC (US)

(72) Inventors: **Zhiqiang Lu**, Ontario, CA (US);  
**Milton Ruiz**, Germantown, TN (US)

(73) Assignee: **Sumter Easy Home LLC**, Sumter, SC (US)

(\*\*) Term: **15 Years**

(21) Appl. No.: **29/615,657**

(22) Filed: **Aug. 30, 2017**

(51) **LOC (11) Cl.** ..... **08-05**

(52) **U.S. Cl.**  
USPC ..... **D8/381**

(58) **Field of Classification Search**  
USPC ..... D8/381, 355, 354, 380, 373, 363, 359,  
D8/358, 350, 349; 248/235, 237, 251,  
248/247, 243; 108/152, 108; 238/123,  
238/292

CPC ..... A47B 87/00; A47B 96/02; A47B 96/06;  
A47B 57/06; A47B 87/005; A47B 57/34;  
A47B 96/021; A47B 96/061

See application file for complete search history.

(56) **References Cited**

**U.S. PATENT DOCUMENTS**

3,135,491	A *	6/1964	Knapé	.....	A47B 57/42
					248/243
D358,321	S *	5/1995	Tayar	.....	D8/381
D367,001	S *	2/1996	Bright	.....	D8/381
D373,719	S *	9/1996	Lin	.....	D8/373
6,402,108	B1 *	6/2002	Remmers	.....	A47B 57/42
					211/181.1
D508,646	S *	8/2005	Gates	.....	D8/381

7,086,544	B1 *	8/2006	Doench	.....	A47B 61/003
					211/105.1
D547,640	S *	7/2007	Remmers	.....	D8/381
7,243,887	B2 *	7/2007	Magnusson	.....	A47B 96/024
					248/235
D581,260	S *	11/2008	Fernandez	.....	D8/381
7,497,533	B2 *	3/2009	Remmers	.....	A47B 57/42
					108/108
D596,931	S *	7/2009	Fernandez	.....	D8/381
D618,087	S *	6/2010	Stafford	.....	D8/363
D706,122	S *	6/2014	Cayouette	.....	D8/381
D714,624	S *	10/2014	Cayouette	.....	D8/381
2016/0331130	A1 *	11/2016	Neste	.....	A47B 57/565

\* cited by examiner

*Primary Examiner* — Lakiya G Rogers

*Assistant Examiner* — Harold E Blackwell, II

(74) *Attorney, Agent, or Firm* — WPAT, P.C., Intellectual Property Attorneys; Anthony King

(57) **CLAIM**

The ornamental design for a bracket for a shelving system, as shown and described.

**DESCRIPTION**

FIG. 1 is a top perspective view of a bracket for a shelving system of the present invention;

FIG. 2 is a right side view of the bracket for a shelving system of FIG. 1;

FIG. 3 is a left side view of the bracket for a shelving system of FIG. 1;

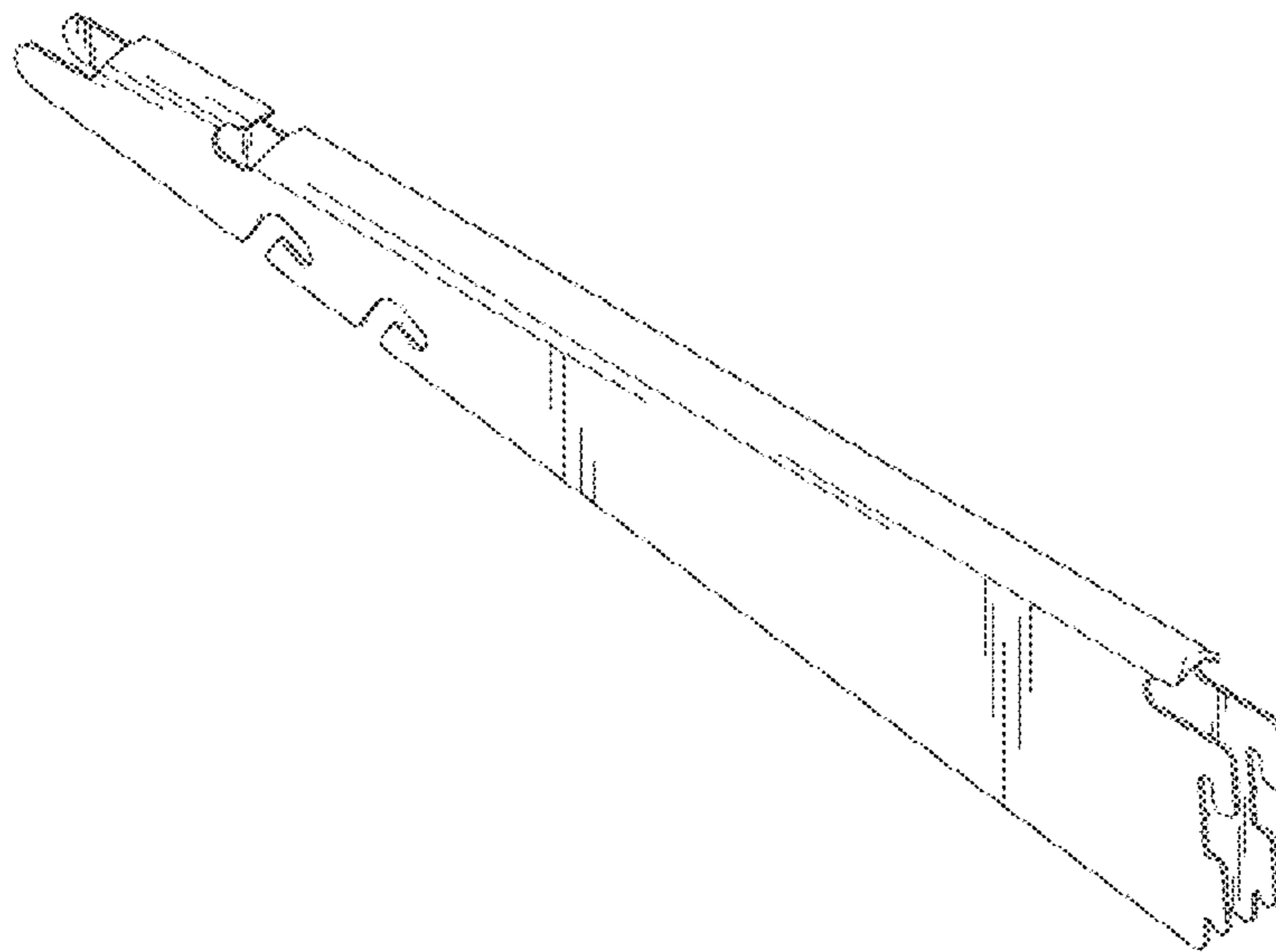
FIG. 4 is a top view of the bracket for a shelving system of FIG. 1;

FIG. 5 is a bottom view of the bracket for a shelving system of FIG. 1;

FIG. 6 is a front view of the bracket for a shelving system of FIG. 1; and,

FIG. 7 is a rear view of the bracket for a shelving system of FIG. 1.

**1 Claim, 6 Drawing Sheets**



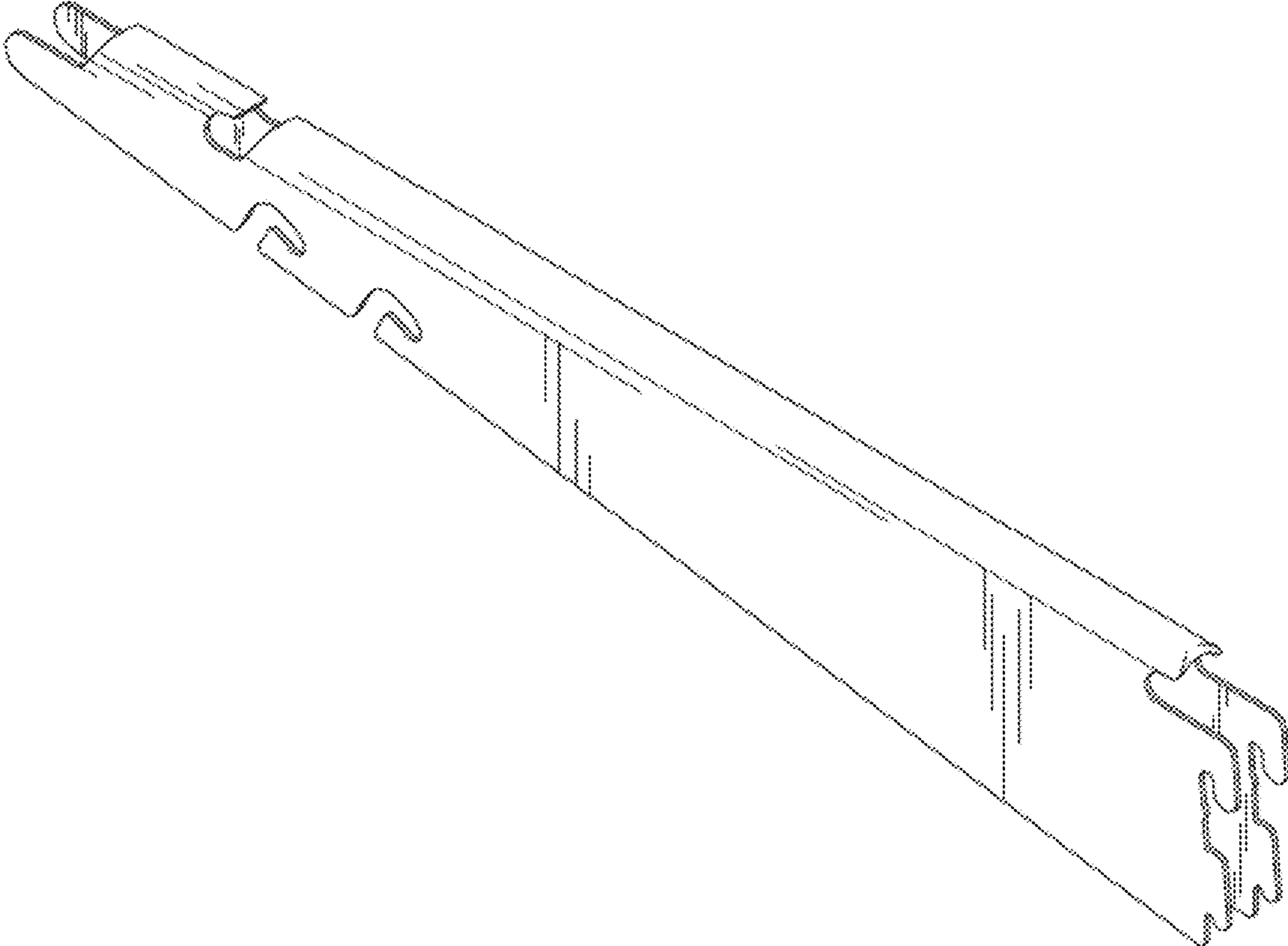


FIG. 1

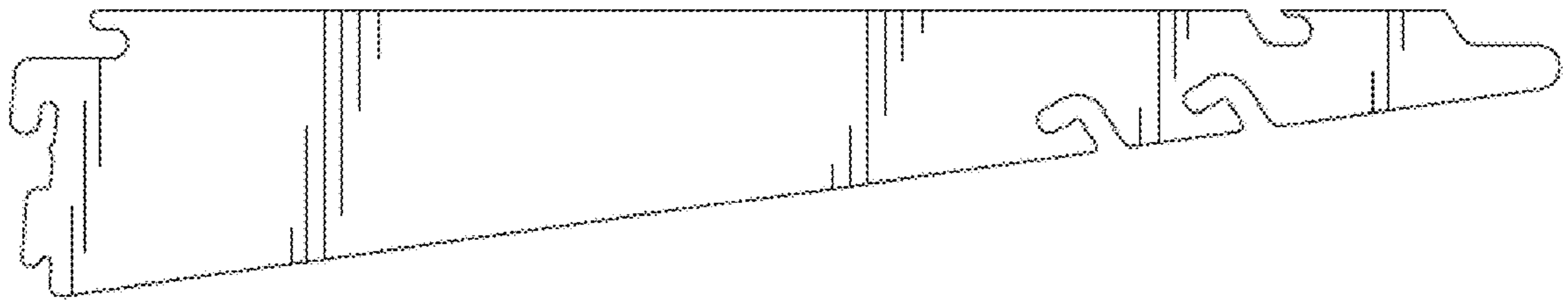


FIG. 2

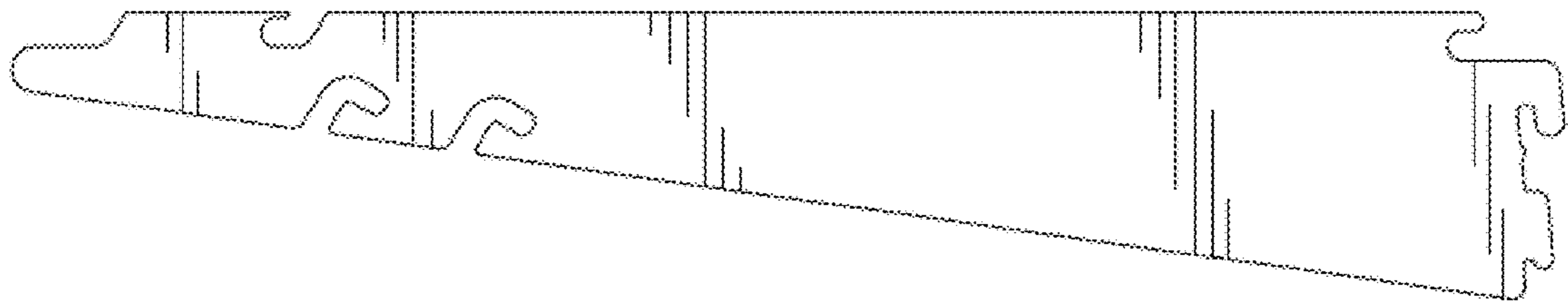


FIG. 3

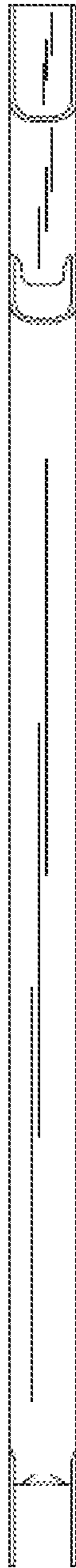


FIG. 4



FIG. 5

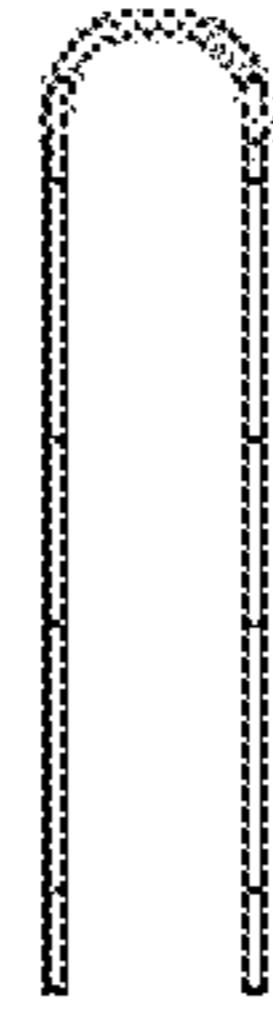


FIG. 6

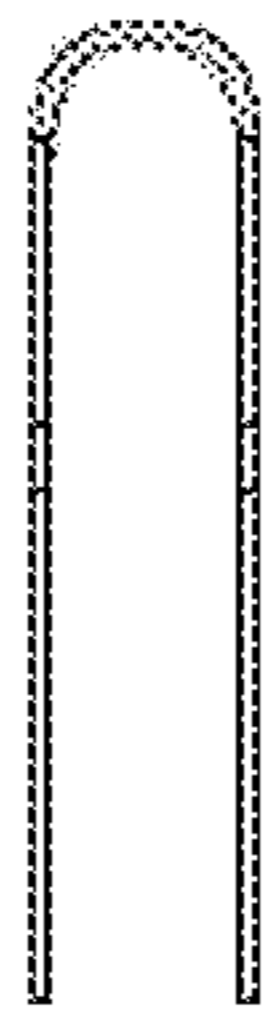


FIG. 7