



US00D826700S

(12) **United States Design Patent**
Feng

(10) **Patent No.:** **US D826,700 S**

(45) **Date of Patent:** **** Aug. 28, 2018**

- (54) **CABLE MANAGING DEVICE FOR CASE**
- (71) Applicant: **Nzxt Inc.**, City of Industry, CA (US)
- (72) Inventor: **Shin Feng**, City of Industry, CA (US)
- (73) Assignee: **NZXT Inc.**, City of Industry, CA (US)
- (**) Term: **15 Years**
- (21) Appl. No.: **29/615,782**
- (22) Filed: **Aug. 31, 2017**
- (51) **LOC (11) Cl.** **09-06**
- (52) **U.S. Cl.**
USPC **D8/356**
- (58) **Field of Classification Search**
USPC D8/360, 356, 354, 349; 361/826
CPC A63B 29/00; A63B 27/00; B63B 59/02;
B63B 21/045; H05K 5/0247
See application file for complete search history.

- D571,190 S * 6/2008 Spadotto B65H 75/366
D8/356
- D589,782 S * 4/2009 Rowell D8/356
- 7,617,669 B1 * 11/2009 Komiya F16G 13/16
248/49
- 7,700,876 B2 * 4/2010 Nishikino H02G 3/32
174/68.1
- 7,806,374 B1 * 10/2010 Ehmann H02G 3/22
174/40 R
- D639,147 S * 6/2011 Surles D8/356
- 8,074,945 B2 * 12/2011 Schoenau F16L 5/14
248/316.6
- 8,227,694 B2 * 7/2012 Murayama B60R 16/0207
174/101
- 8,254,744 B2 * 8/2012 Sayres G02B 6/4459
385/137
- 8,342,474 B2 * 1/2013 Gilbreath F16L 3/222
165/162

(Continued)

Primary Examiner — Cynthia R Underwood
(74) *Attorney, Agent, or Firm* — Muncy, Geissler, Olds & Lowe, P.C.

(56) **References Cited**

U.S. PATENT DOCUMENTS

- 5,335,349 A * 8/1994 Kutsch F16G 13/16
375/257
- 5,427,339 A * 6/1995 Pauli B05B 15/00
188/32
- D432,902 S * 10/2000 Thiel D8/354
- 6,227,502 B1 * 5/2001 Derman F16L 3/2235
248/68.1
- 6,378,811 B1 * 4/2002 Potter F16L 3/222
248/49
- 6,476,327 B1 * 11/2002 Bernard H02G 3/045
174/101
- 6,528,728 B1 * 3/2003 Shima H02G 3/0437
174/101
- 6,706,969 B1 * 3/2004 Young F16L 3/22
174/95
- D492,928 S * 7/2004 Pond D12/217
- 6,997,412 B2 * 2/2006 Komiya F16G 13/16
242/615.2

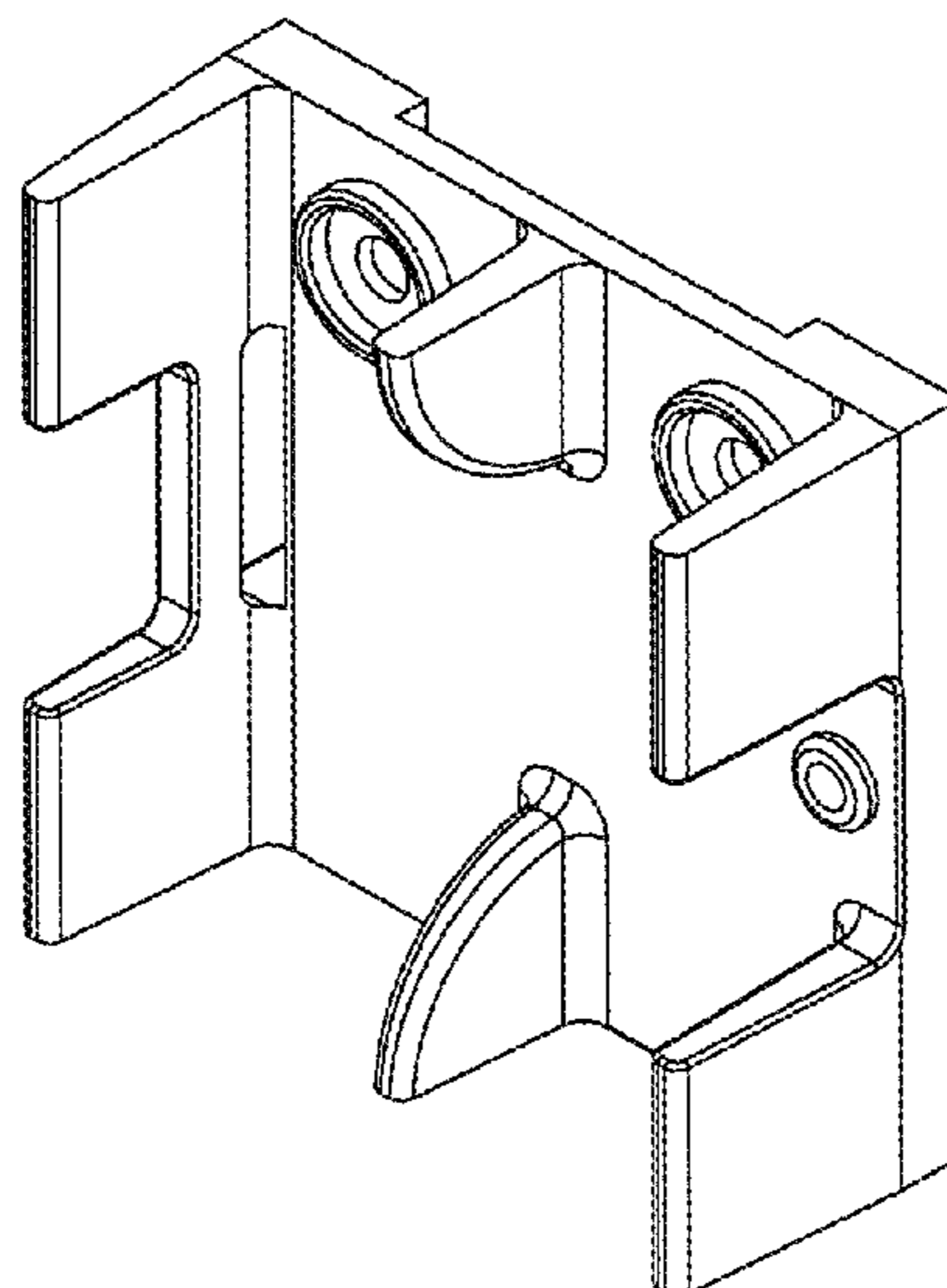
(57) **CLAIM**

The ornamental design for a cable managing device for case, as shown and described.

DESCRIPTION

FIG. 1 is a perspective view of a square integral line device showing my new design;
FIG. 2 is a front elevational view of thereof;
FIG. 3 is a rear elevational view thereof;
FIG. 4 is a left side elevational view thereof;
FIG. 5 is a right side elevational view thereof;
FIG. 6 is a top plan view thereof;
FIG. 7 is a bottom plan view thereof; and,
FIG. 8 is a perspective view thereof of combinations.
The broken lines depict environment that form no part of the claim.

1 Claim, 8 Drawing Sheets



(56)

References Cited

U.S. PATENT DOCUMENTS

D687,546 S * 8/2013 Baid D24/128
 D691,875 S * 10/2013 Ganski D8/356
 8,561,815 B2 * 10/2013 Higson H05K 7/183
 211/41.17
 9,010,063 B2 * 4/2015 Spruiell E04G 21/185
 52/699
 9,083,159 B2 * 7/2015 Takeuchi H02G 3/0475
 9,368,951 B2 * 6/2016 Komiya F16L 3/015
 D769,105 S * 10/2016 Tomney D12/217
 D771,478 S * 11/2016 McCoy D8/354
 D789,526 S * 6/2017 Serafini D24/128
 D790,127 S * 6/2017 Verleur D27/183
 D795,046 S * 8/2017 McCoy D8/354
 D801,152 S * 10/2017 Bishop D8/356
 D807,729 S * 1/2018 Willshare D8/356
 D808,777 S * 1/2018 Ruddick D8/356

D815,936 S * 4/2018 Naslund D8/356
 2002/0121571 A1 * 9/2002 Ferris G02B 6/4459
 242/615
 2004/0112625 A1 * 6/2004 Sheikholeslami F16G 13/16
 174/68.1
 2005/0217883 A1 * 10/2005 Ewer H02G 3/0418
 174/481
 2008/0009165 A1 * 1/2008 Tseng F21V 21/002
 439/257
 2010/0132979 A1 * 6/2010 Chen F16L 3/223
 174/135
 2012/0257368 A1 * 10/2012 Bohn H04M 1/022
 361/809
 2012/0267164 A1 * 10/2012 Reuss H02G 3/0487
 174/70 R
 2013/0001375 A1 * 1/2013 Geng H02G 3/32
 248/74.3

* cited by examiner

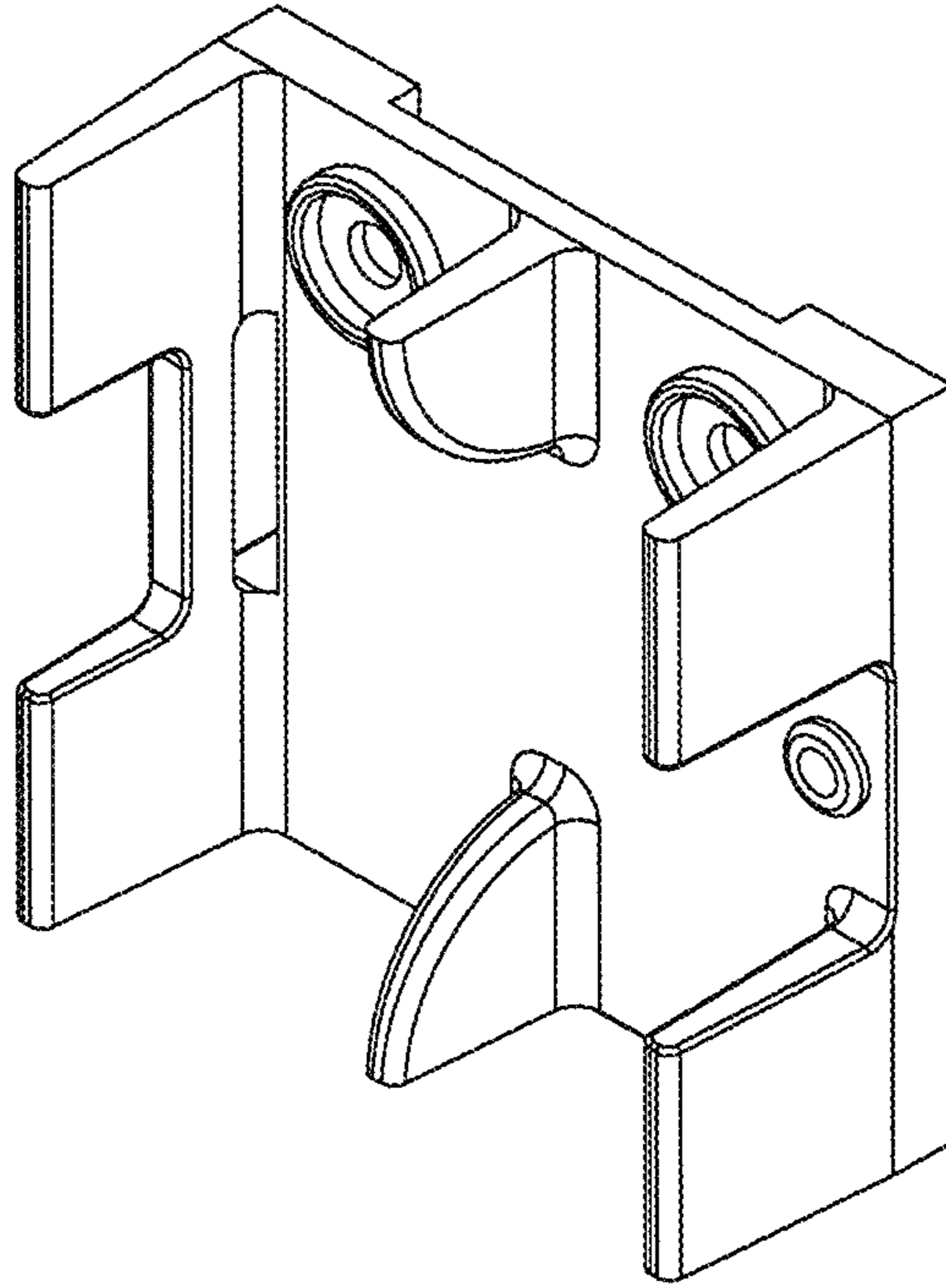


FIG. 1

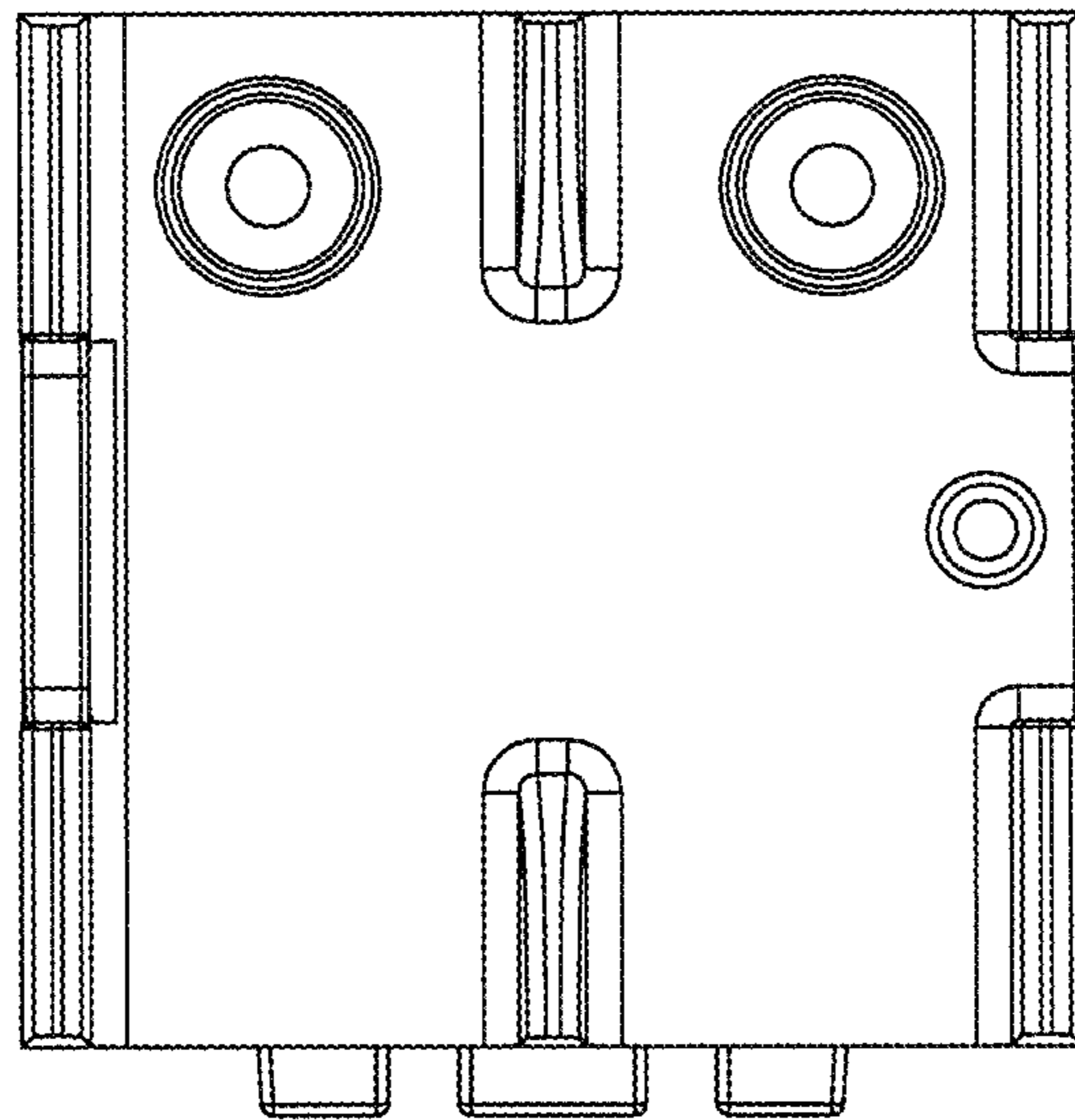


FIG.2

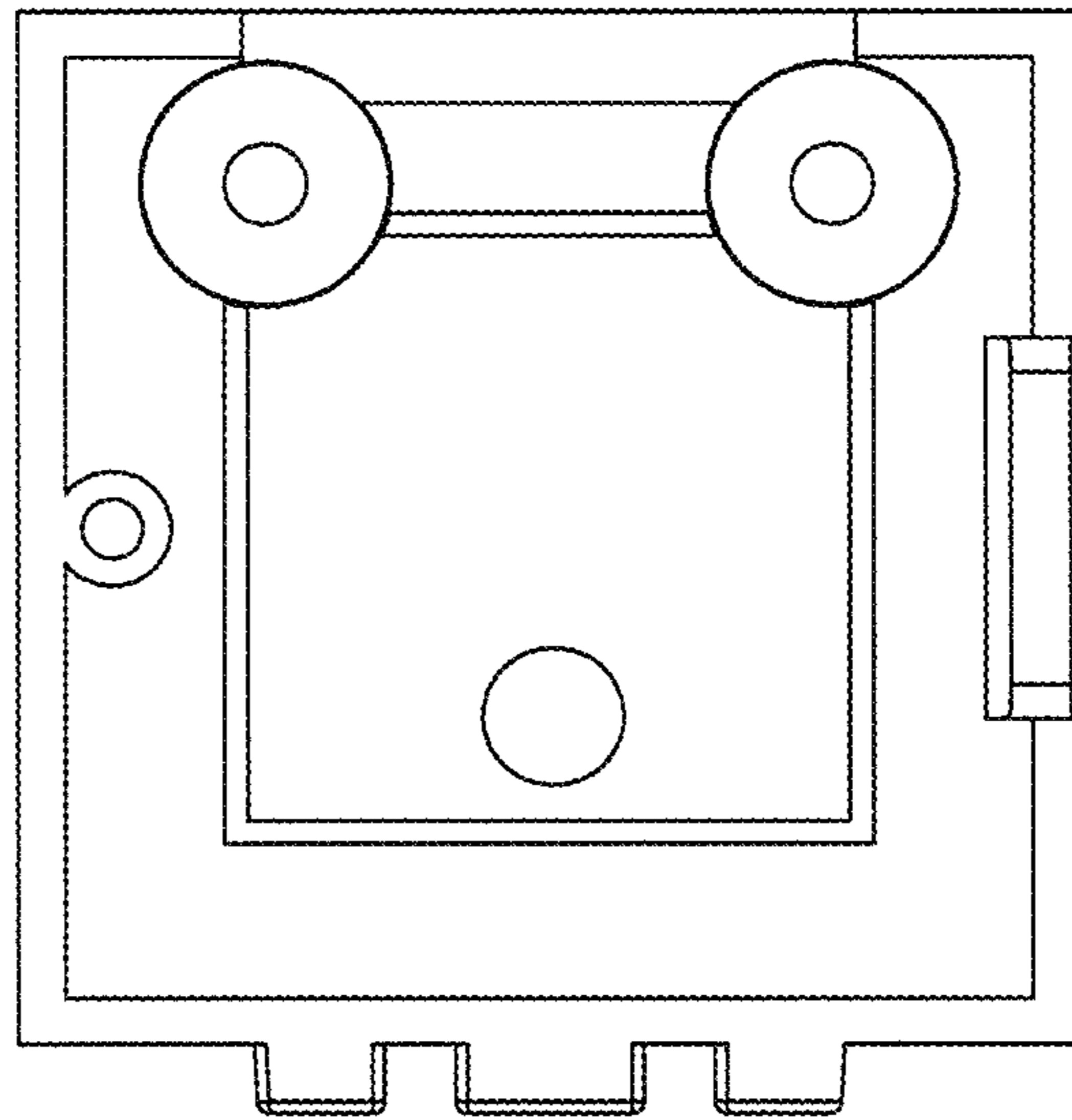


FIG.3

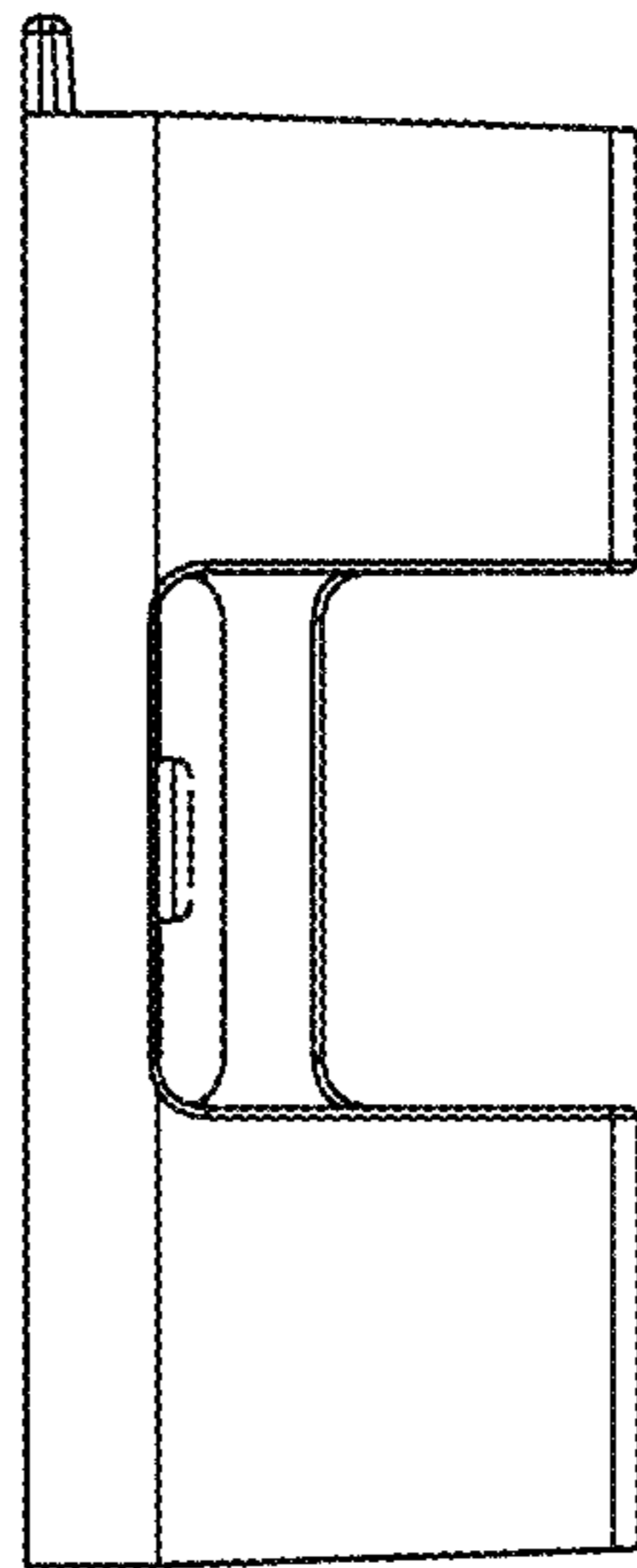


FIG.4

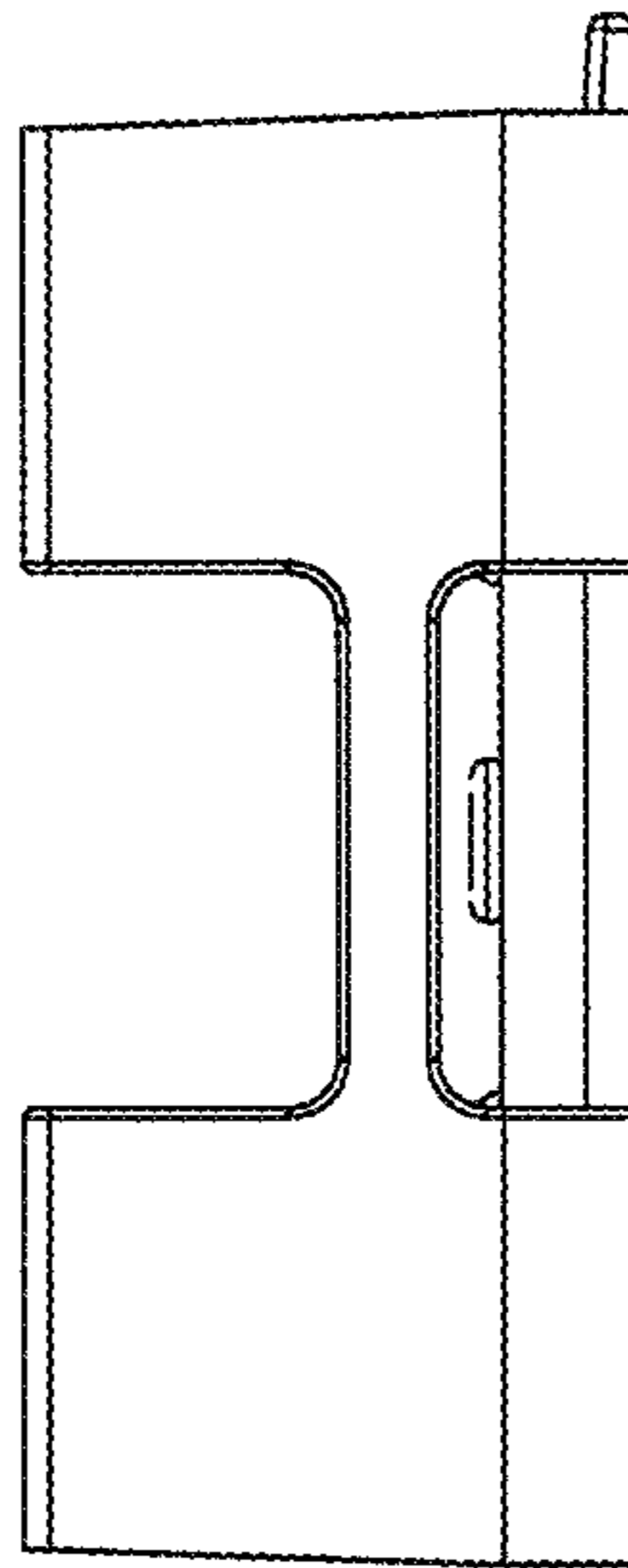


FIG.5

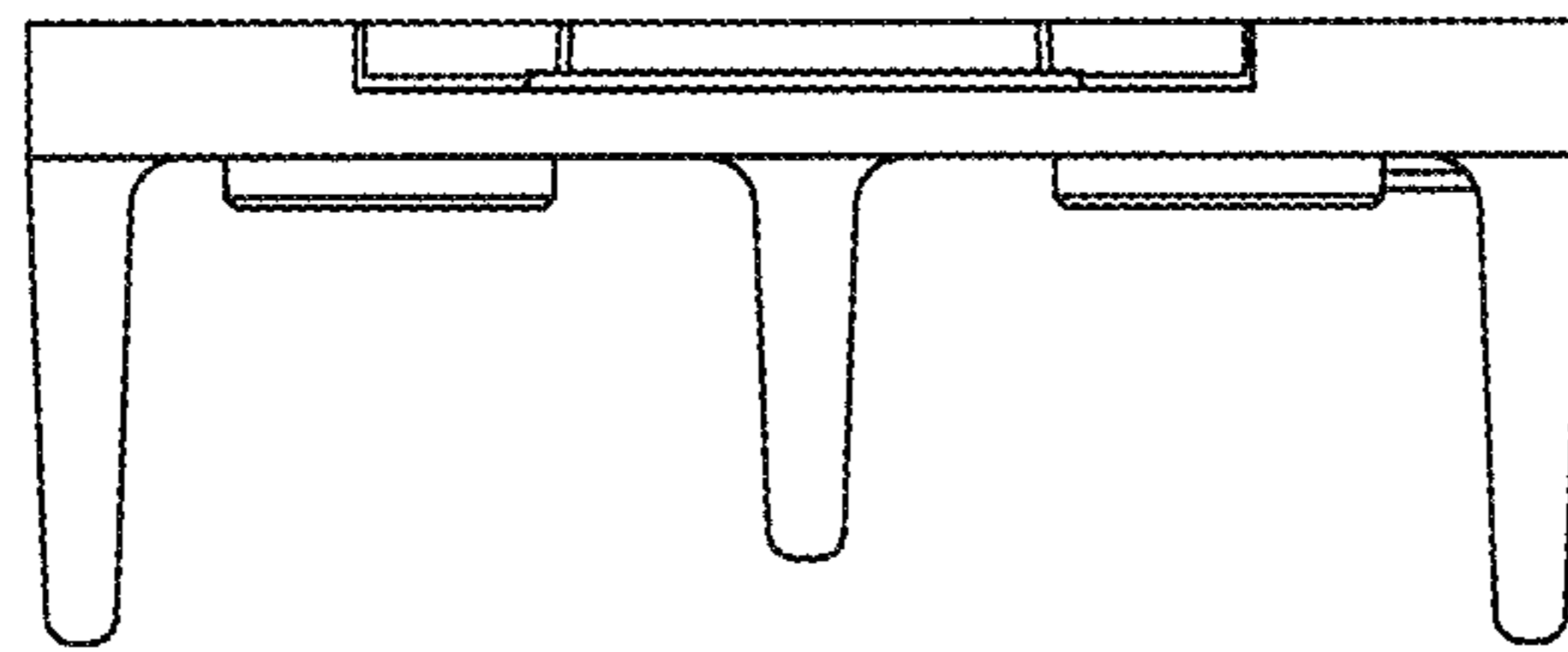


FIG. 6

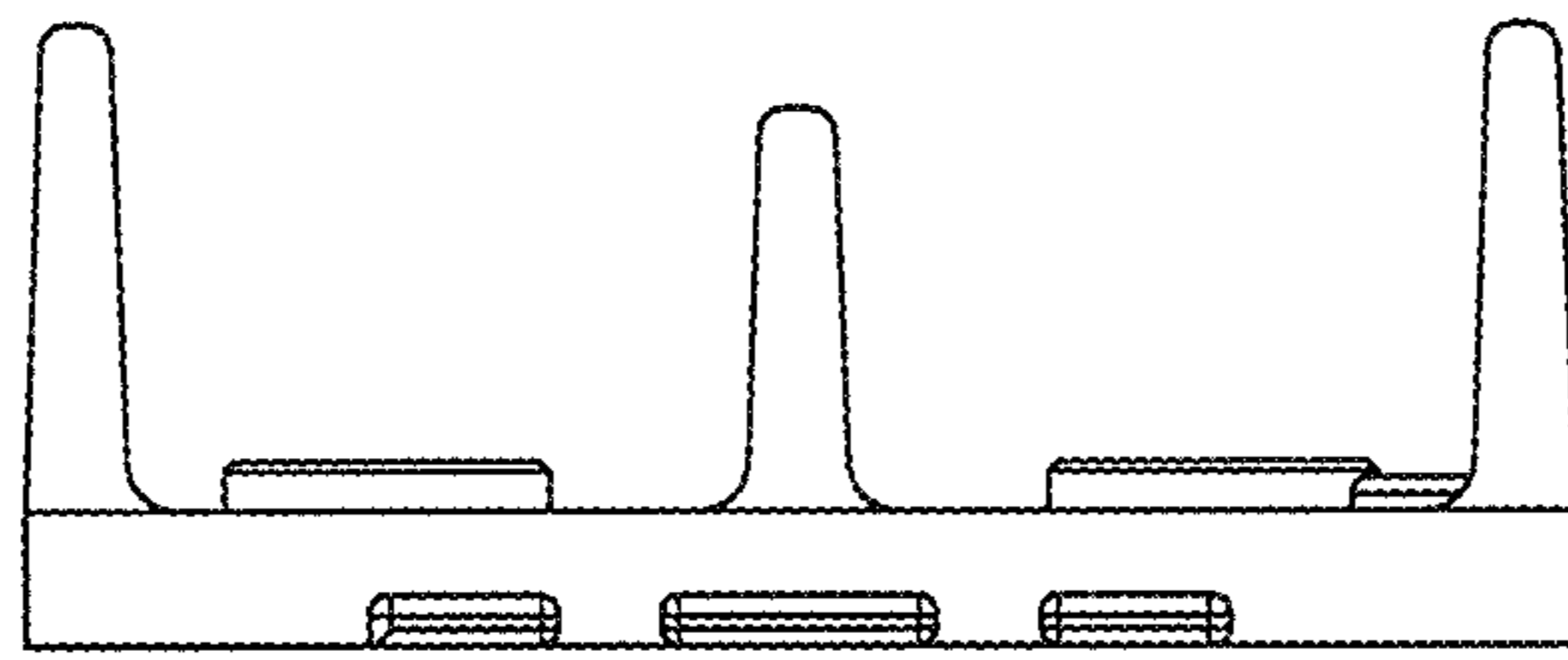


FIG. 7

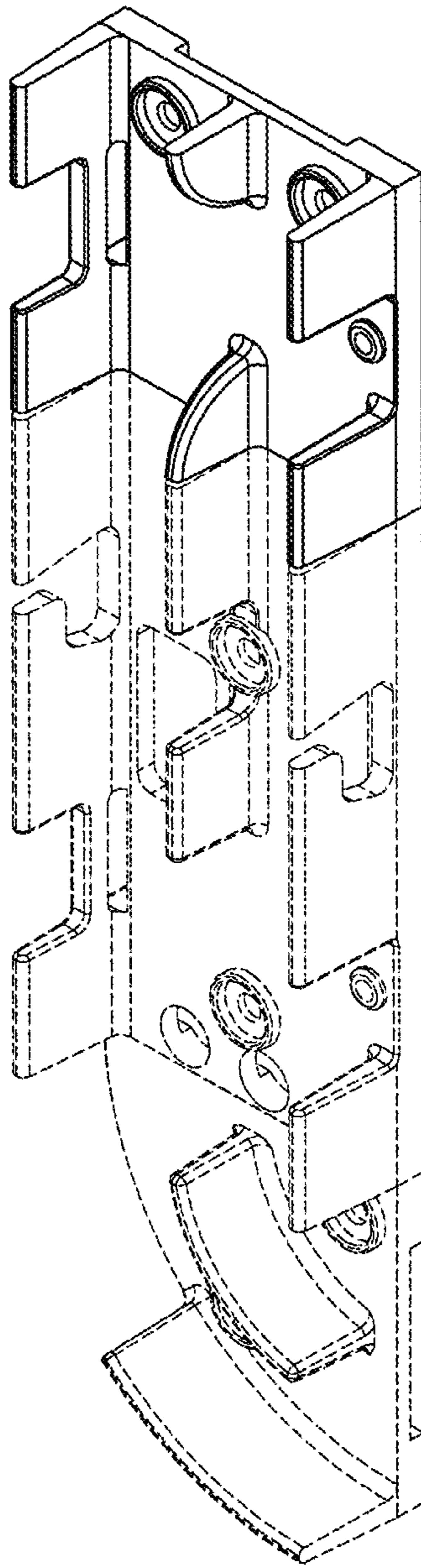


FIG. 8