



US00D826699S

(12) **United States Design Patent** (10) **Patent No.:** **US D826,699 S**
Potts (45) **Date of Patent:** **** Aug. 28, 2018**

(54) **CABLE WRAPPING APPARATUS**
(71) Applicant: **Douglas Potts**, Dallas, TX (US)
(72) Inventor: **Douglas Potts**, Dallas, TX (US)
(**) Term: **15 Years**
(21) Appl. No.: **29/610,325**
(22) Filed: **Jul. 11, 2017**
(51) **LOC (11) Cl.** **09-06**
(52) **U.S. Cl.**
USPC **D8/356**
(58) **Field of Classification Search**
USPC D8/367, 356, 354, 349
CPC B65H 57/16; B63B 21/045
See application file for complete search history.

(56) **References Cited**
U.S. PATENT DOCUMENTS
D445,723 S * 7/2001 Kim D11/218
6,435,940 B1 * 8/2002 Fildan A41F 1/006
24/198

D612,765 S * 3/2010 Fildan D11/200
D685,625 S * 7/2013 Diekman D8/356
D753,985 S * 4/2016 Nelson D8/356
D801,139 S * 10/2017 Cheng D8/19
D805,879 S * 12/2017 Garcia D8/356
D818,391 S * 5/2018 Chang D11/208
D818,392 S * 5/2018 Chang D11/218
2005/0066484 A1 * 3/2005 Hurn A44B 11/04
24/321
2014/0059782 A1 * 3/2014 Duncan B25F 1/00
7/138
2016/0341239 A1 * 11/2016 Inkavesvaanit F16B 45/02
* cited by examiner

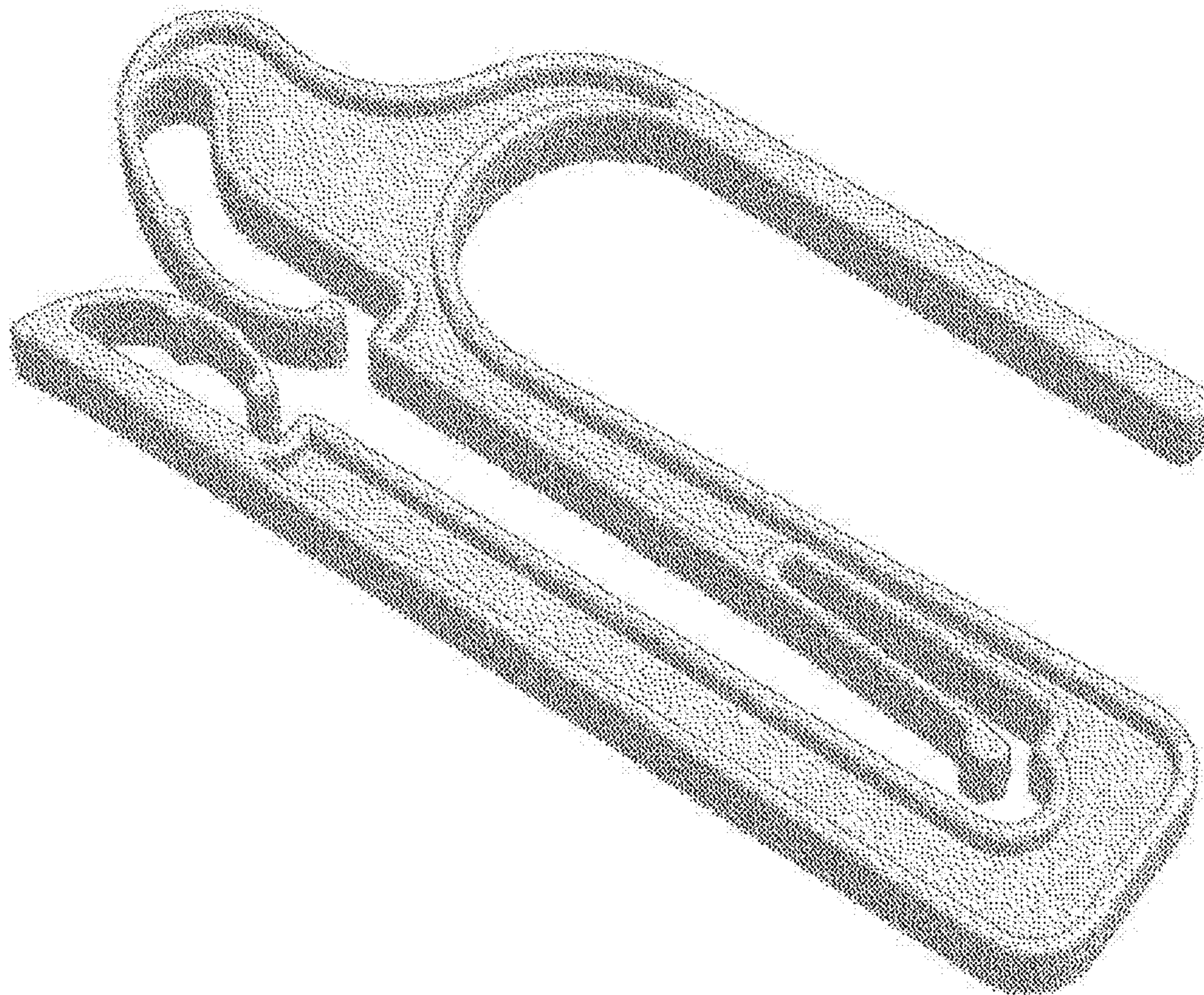
Primary Examiner — Cynthia R Underwood

(57) **CLAIM**
I claim the ornamental design for cable wrapping apparatus,
as shown and described.

DESCRIPTION

FIG. 1 is a perspective view of a cable wrapping apparatus showing the new design; FIG. 2 is a top view thereof; and, FIG. 3 is a bottom view thereof.

1 Claim, 2 Drawing Sheets



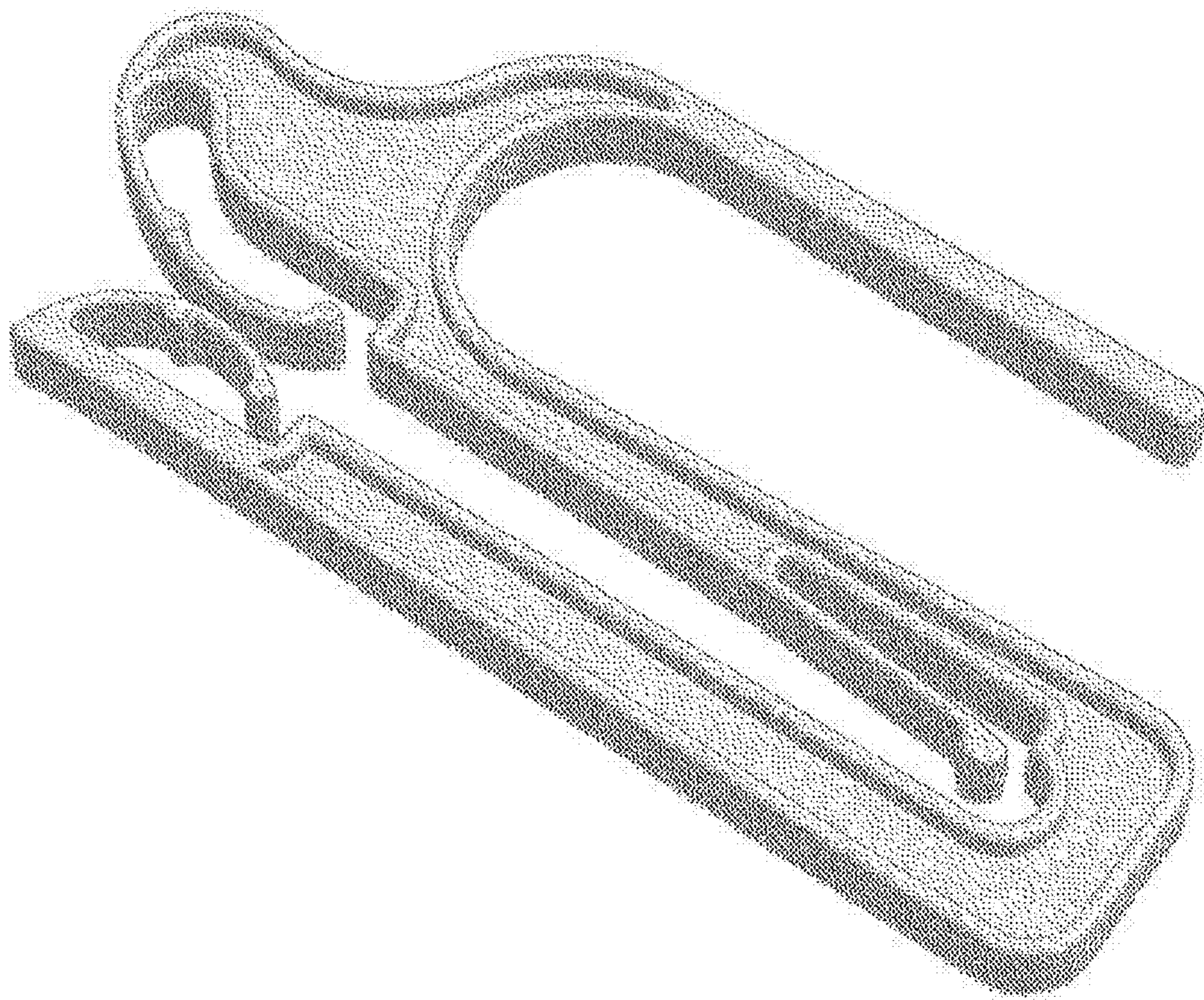


FIG. 1

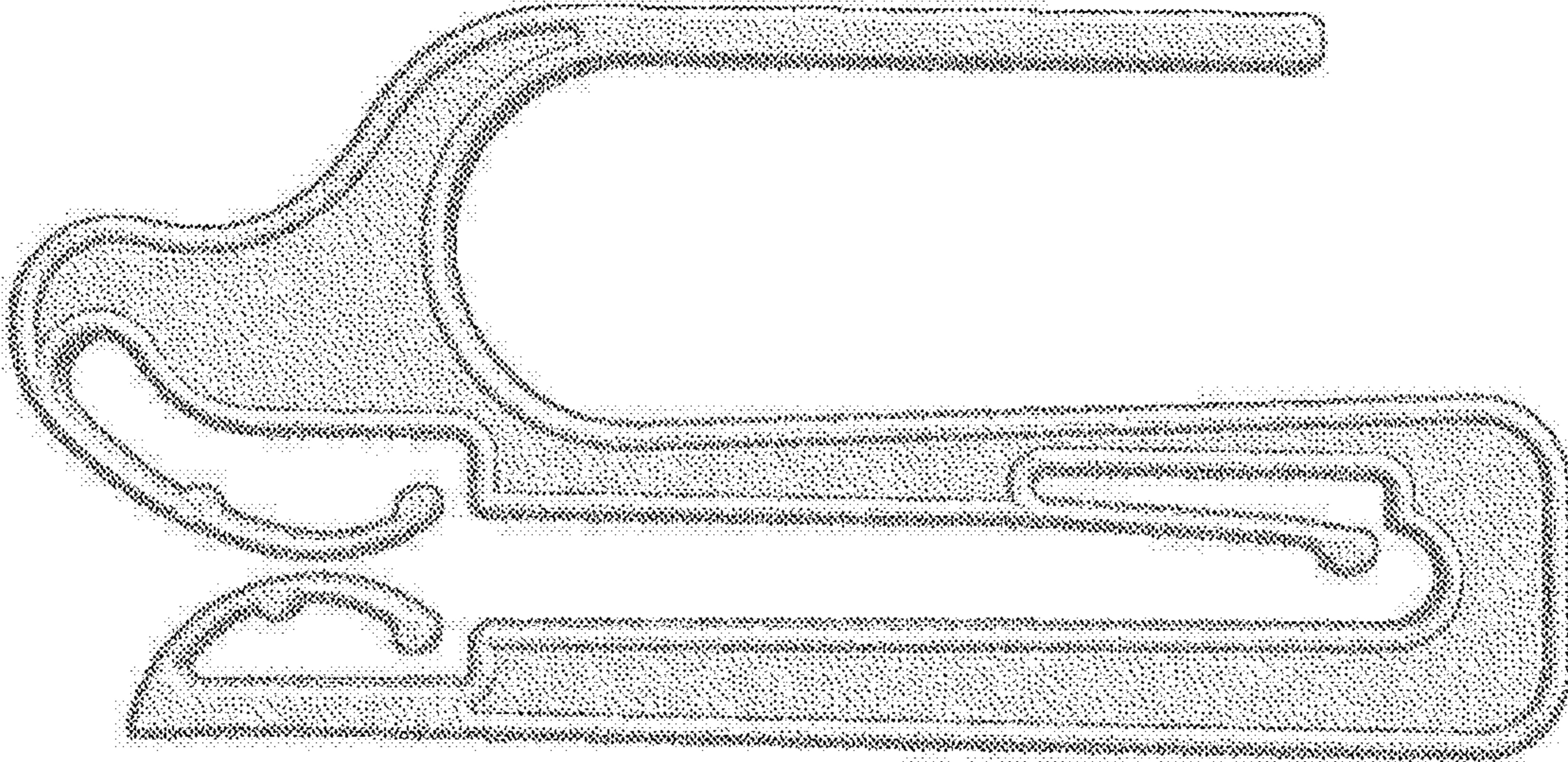


FIG. 2

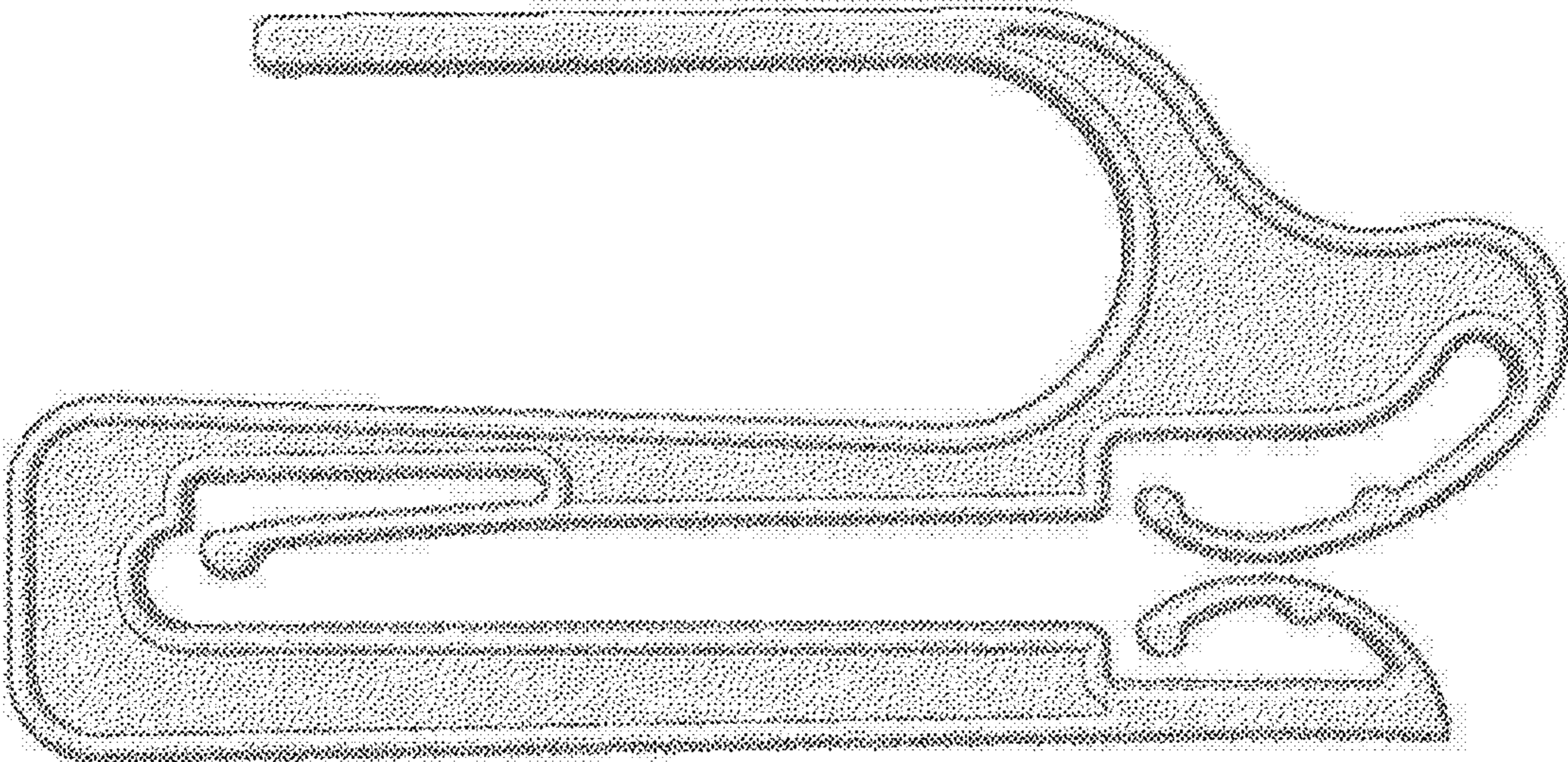


FIG. 3