

US00D826698S

(12) **United States Design Patent**
Nelson et al.

(10) **Patent No.:** **US D826,698 S**
(45) **Date of Patent:** **** Aug. 28, 2018**

- (54) **CORD LOCK FOR PALLET CLIP**
- (71) Applicant: **Encore Packaging LLC**, Lake Bluff, IL (US)
- (72) Inventors: **Timothy H. Nelson**, Winnetka, IL (US); **John Parks**, Mundelein, IL (US)
- (73) Assignee: **Encore Packaging LLC**, Lake Bluff, IL (US)

- D514,432 S * 2/2006 McLaughlin D8/356
- D577,990 S * 10/2008 Andre D14/205
- D684,845 S * 6/2013 Wood A62B 35/04
D8/356
- D686,894 S * 7/2013 Breeden B60P 7/083
D8/44
- D688,053 S * 8/2013 Chiu D6/361
- D713,240 S * 9/2014 Chance D8/356
- D718,997 S * 12/2014 Sarig D8/25
- D752,955 S * 4/2016 Rowan D8/356

(**) Term: **15 Years**

(21) Appl. No.: **29/583,497**

(22) Filed: **Nov. 6, 2016**

(51) **LOC (11) Cl.** **08-05**

(52) **U.S. Cl.**
USPC **D8/356**; D8/44; D8/16

(58) **Field of Classification Search**
USPC D8/370, 355, 356, 44, 24, 25, 33, 383,
D8/19, 330
CPC . Y10T 24/39; Y10T 24/3916; Y10T 24/3938;
Y10T 403/4327; F16G 11/14; F16G
11/046; B63B 21/08; B63B 21/18; E06B
9/324

See application file for complete search history.

(56) **References Cited**

U.S. PATENT DOCUMENTS

- D227,342 S * 6/1973 Buckman D8/355
- D458,533 S * 6/2002 Sonju A63B 29/02
D8/356

* cited by examiner

Primary Examiner — Janice Hallmark

Assistant Examiner — Eliza Z Bennett-Hattan

(74) *Attorney, Agent, or Firm* — Fitch, Even, Tabin & Flannery LLP

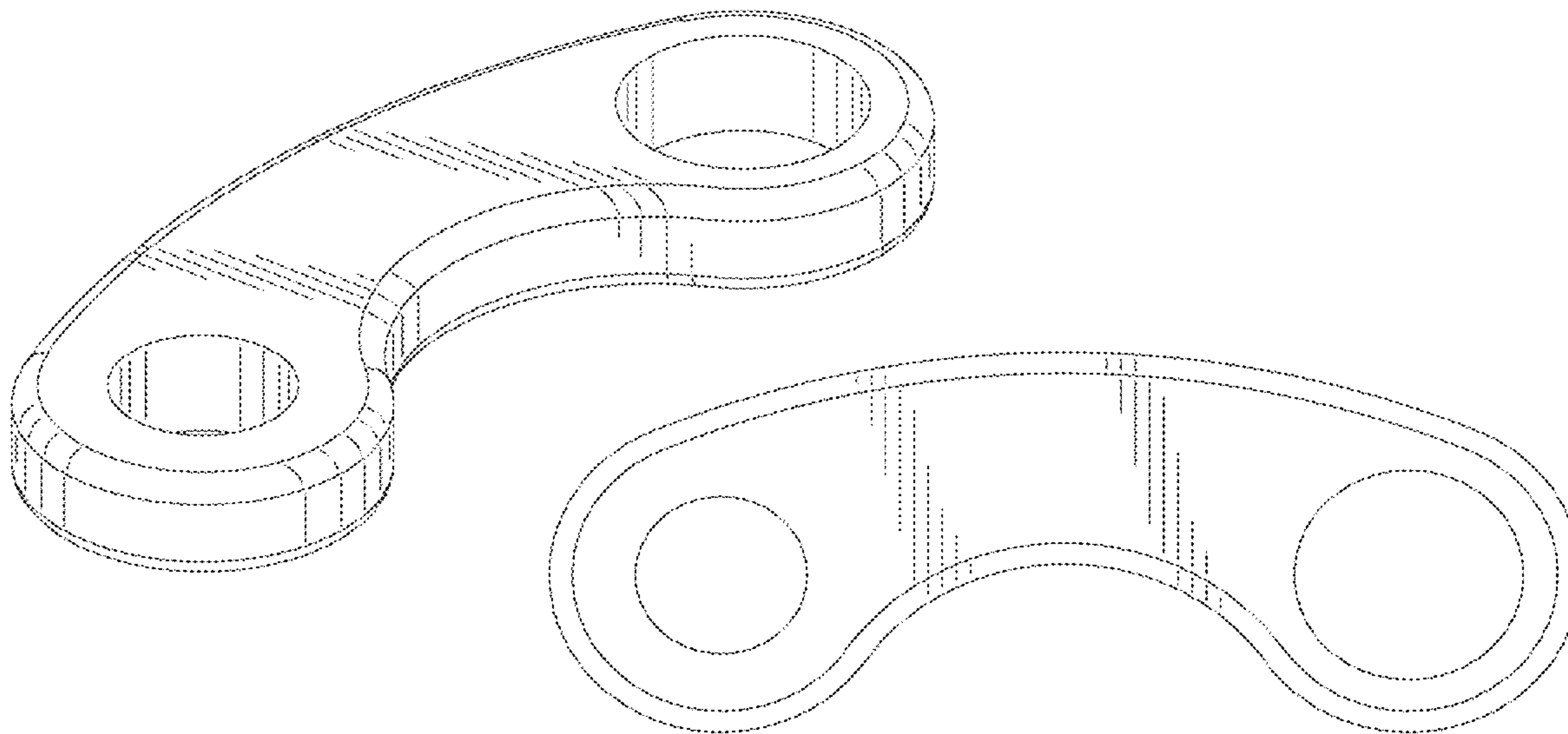
(57) **CLAIM**

We claim the ornamental design for cord lock for pallet clip, as shown and described.

DESCRIPTION

FIG. 1 is a front top perspective view of a cord lock for pallet clip, showing our new design;
FIG. 2 is a bottom perspective view thereof;
FIG. 3 is a right side elevation view thereof;
FIG. 4 is a left side elevation view thereof;
FIG. 5 is a front elevation view thereof;
FIG. 6 is a rear elevation view thereof;
FIG. 7 is a bottom plan view thereof; and,
FIG. 8 is a top plan view thereof.

1 Claim, 5 Drawing Sheets



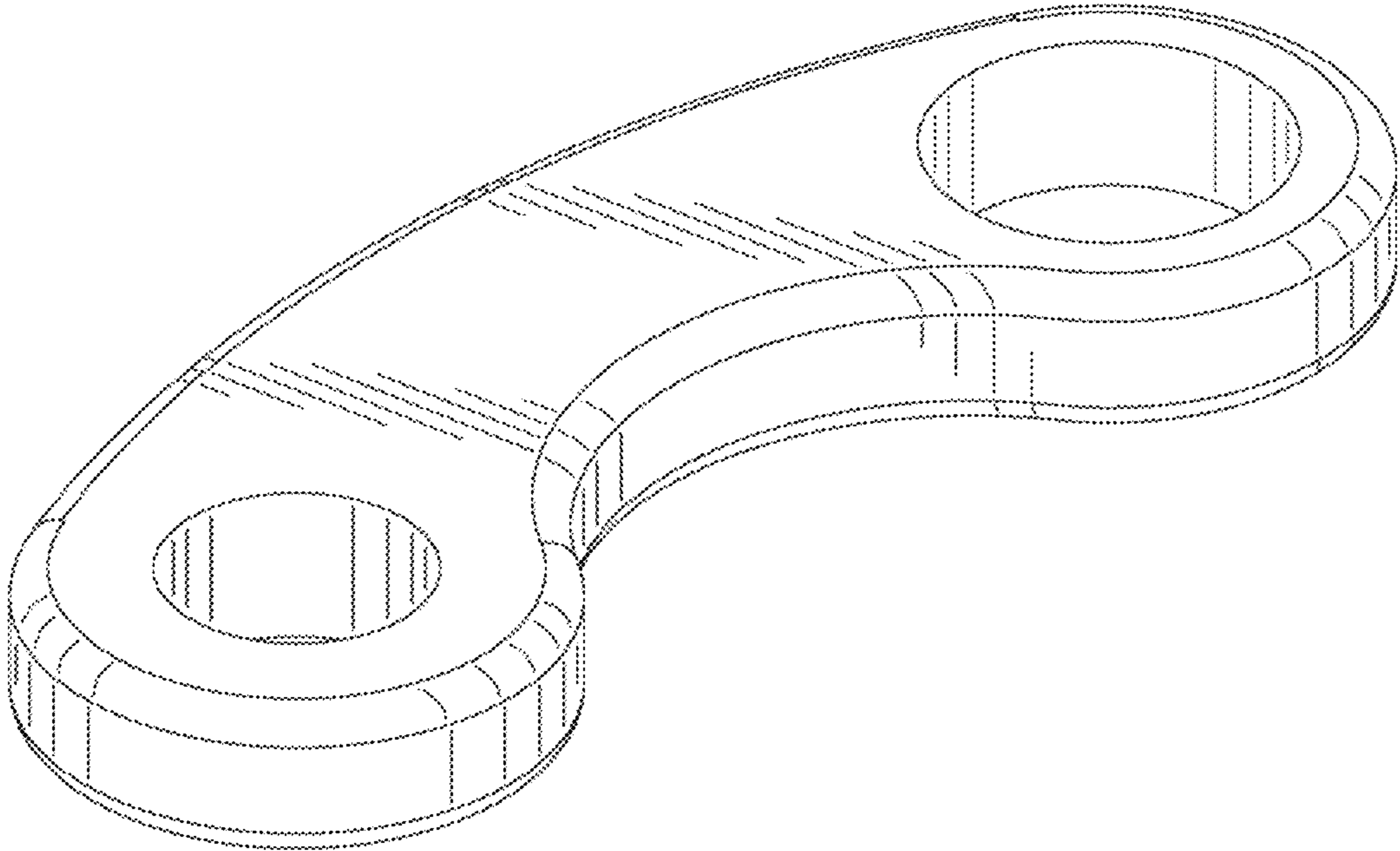


FIG. 1

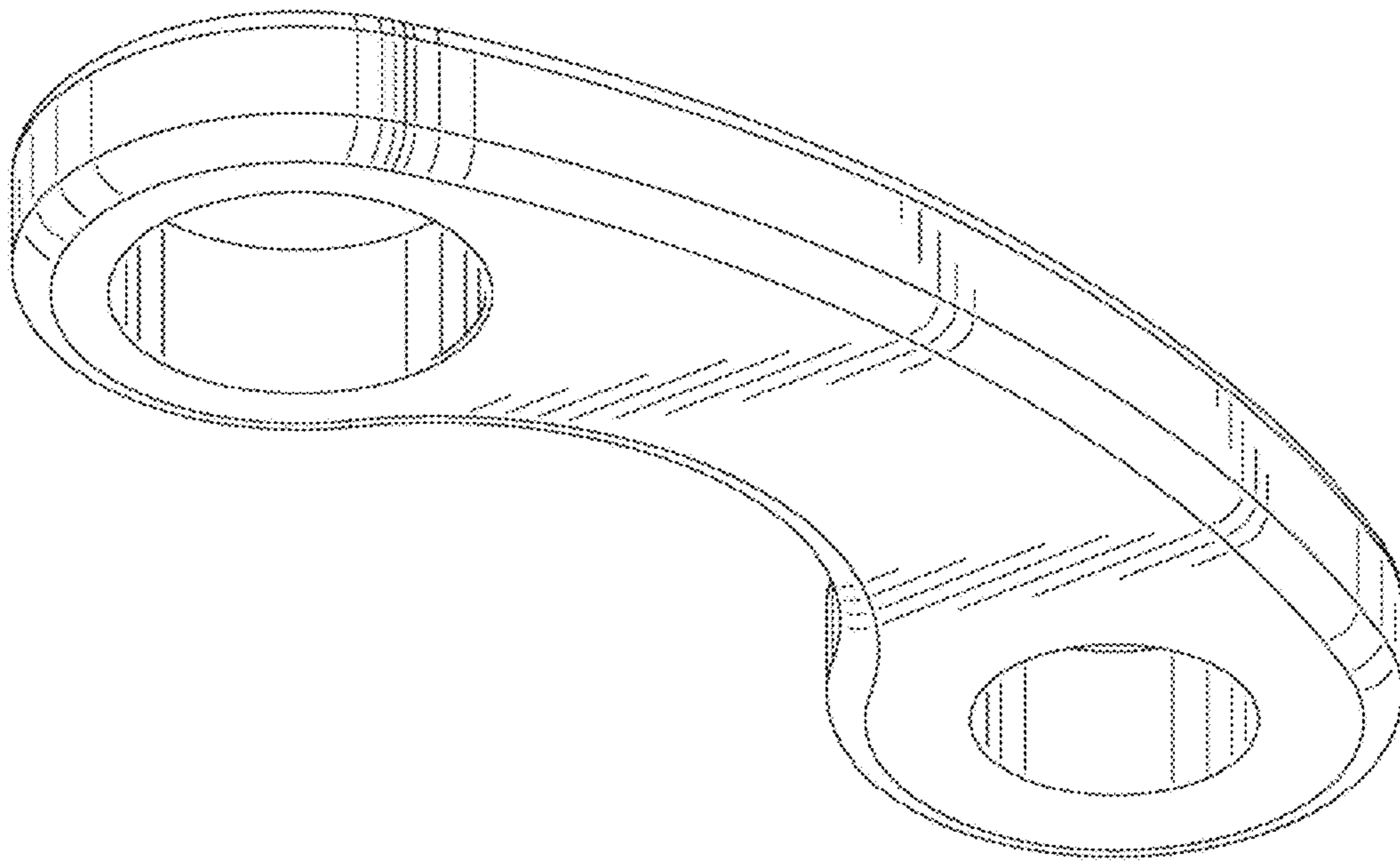


FIG. 2

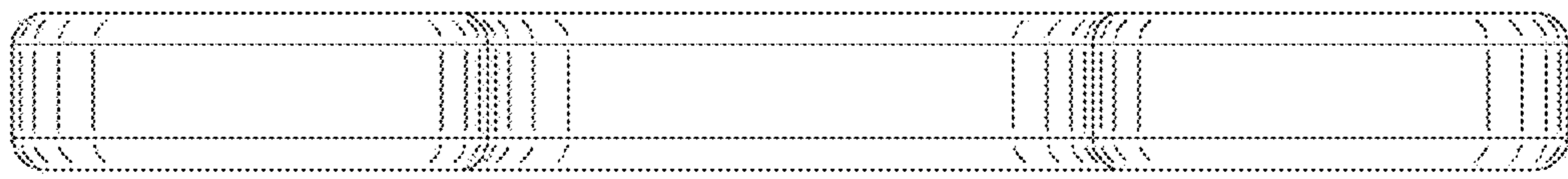


FIG. 3

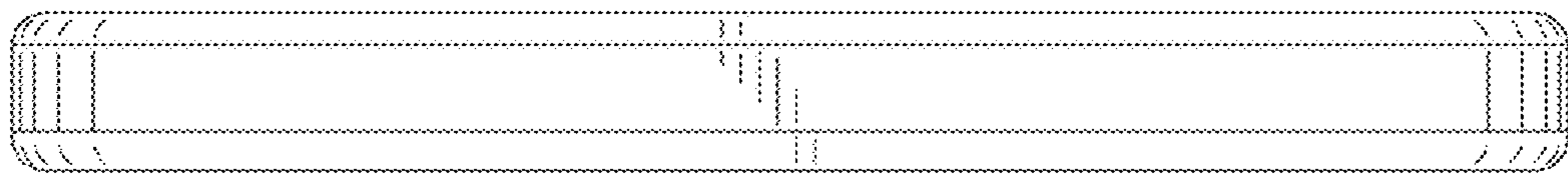


FIG. 4

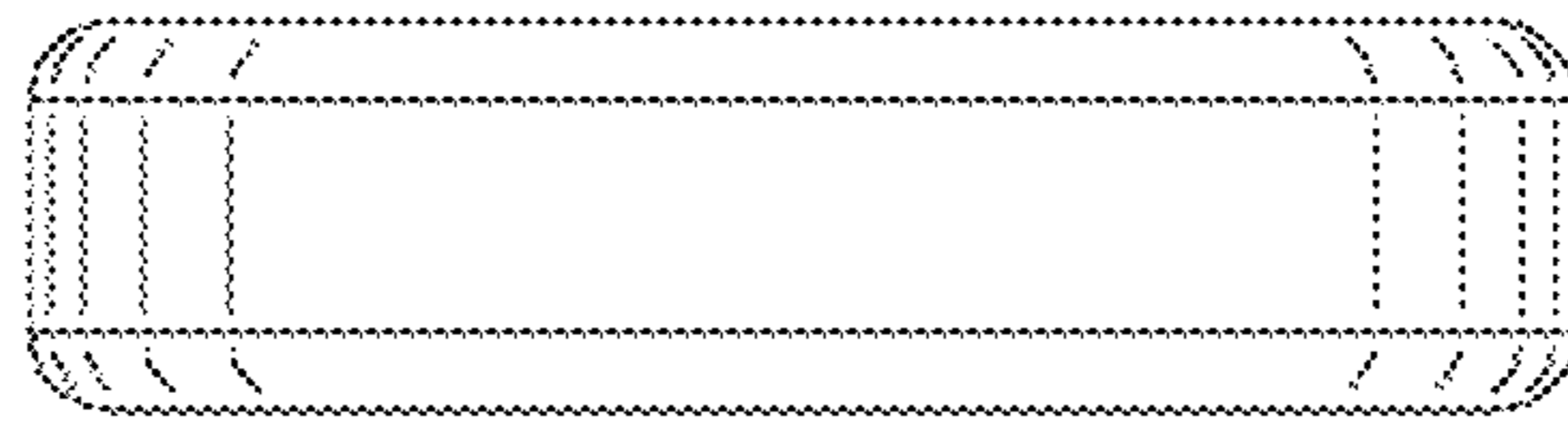


FIG. 5

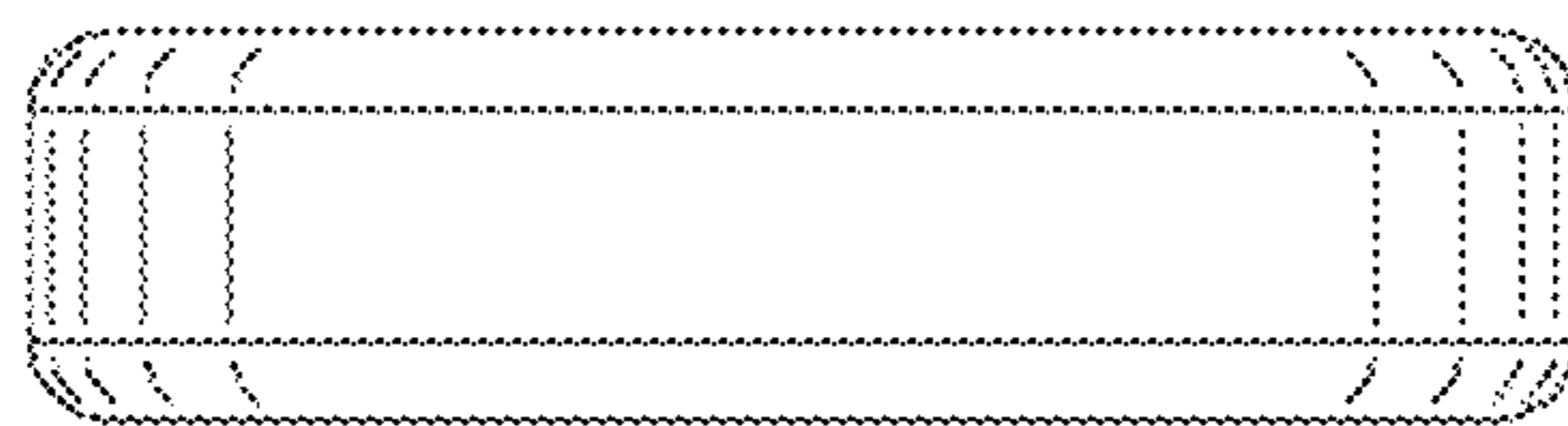


FIG. 6

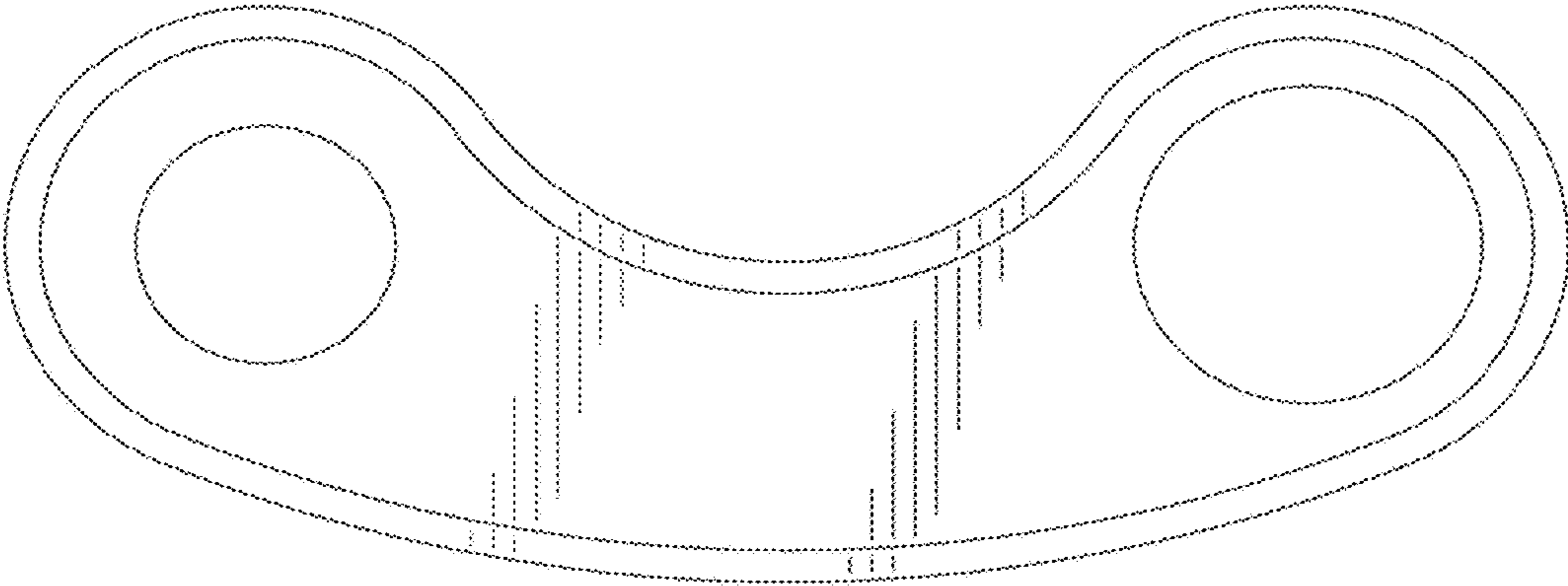


FIG. 7

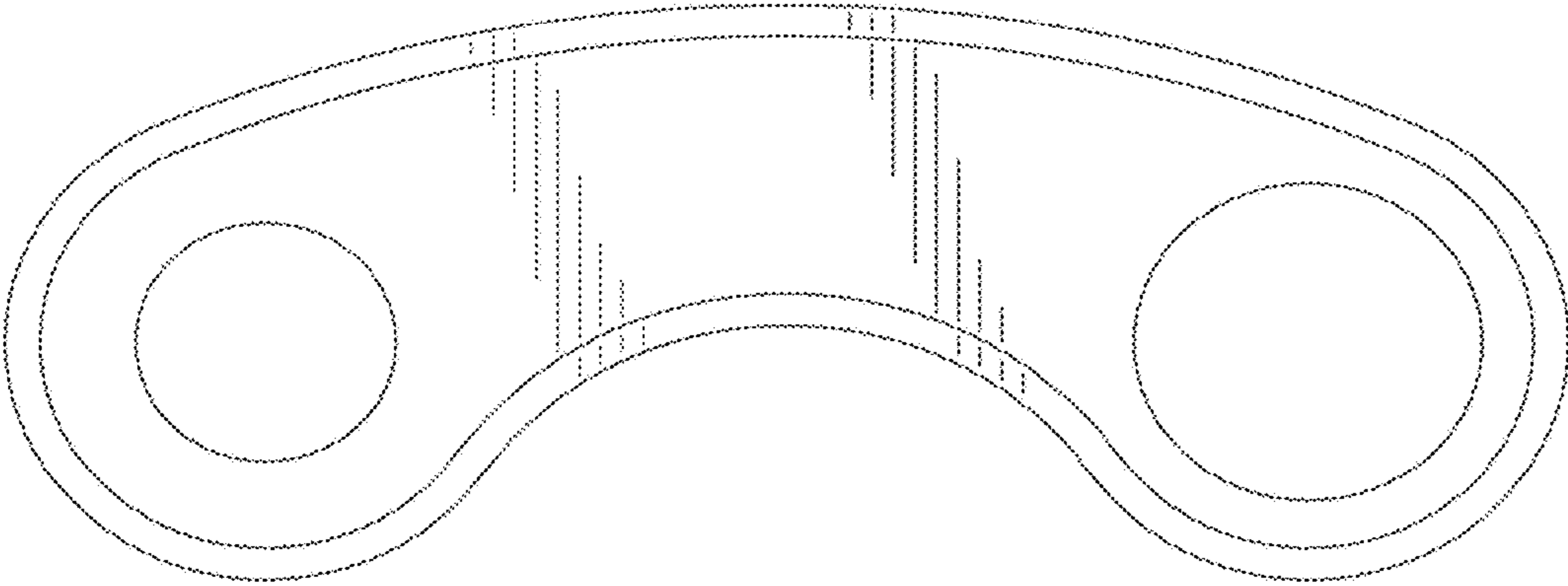


FIG. 8