



US00D826695S

(12) **United States Design Patent**  
**Bolster**

(10) **Patent No.:** **US D826,695 S**

(45) **Date of Patent:** **\*\* Aug. 28, 2018**

(54) **RAISED GARDEN CORNER CONNECTOR**

(71) Applicant: **Michael Bolster**, Perth-Andover (CA)

(72) Inventor: **Michael Bolster**, Perth-Andover (CA)

(\*\*) Term: **15 Years**

(21) Appl. No.: **29/620,624**

(22) Filed: **Mar. 23, 2017**

(51) **LOC (11) Cl.** ..... **08-08**

(52) **U.S. Cl.**  
USPC ..... **D8/354**

(58) **Field of Classification Search**  
USPC .... D8/16, 19, 350, 353, 354, 364, 366, 499,  
D8/380, 381, 371, 373, 349, 1; D21/703;  
D3/10; D12/133  
CPC ..... A47B 2220/0036; E04B 1/26; E04B  
2001/2415; E04B 2001/2644; E04B  
2001/405; E04H 17/1421; E04H  
2017/1473; A47G 1/00; A47G 25/00;  
F16L 3/00  
See application file for complete search history.

6,202,367	B1	3/2001	Marino et al.	
D479,117	S *	9/2003	Mercier .....	D8/354
7,966,766	B2	6/2011	Vogler et al.	
D644,915	S *	9/2011	Chen .....	D8/354
D647,767	S	11/2011	Greenes et al.	
D665,656	S *	8/2012	Anzelmo .....	D8/380
D714,596	S	10/2014	Forno	
8,955,251	B2	2/2015	Topping	
D723,262	S *	3/2015	Macmillan .....	D3/10
8,973,954	B2	3/2015	Coughenour et al.	
D744,319	S *	12/2015	White .....	D8/354
9,220,203	B2	12/2015	Vaughn et al.	
D761,085	S *	7/2016	Cox .....	D8/354
D768,466	S *	10/2016	Simmons .....	D8/354
D775,512	S *	1/2017	White .....	D8/354
D781,689	S *	3/2017	Darby .....	D8/381
D801,415	S *	10/2017	Howry .....	D16/242
2009/0183429	A1	7/2009	Kim et al.	

\* cited by examiner

*Primary Examiner* — Jennifer Rivard  
*Assistant Examiner* — Alison M Ofstun  
(74) *Attorney, Agent, or Firm* — Mario Theriault

(57) **CLAIM**

The ornamental design for a raised garden corner connector, as shown and described.

**DESCRIPTION**

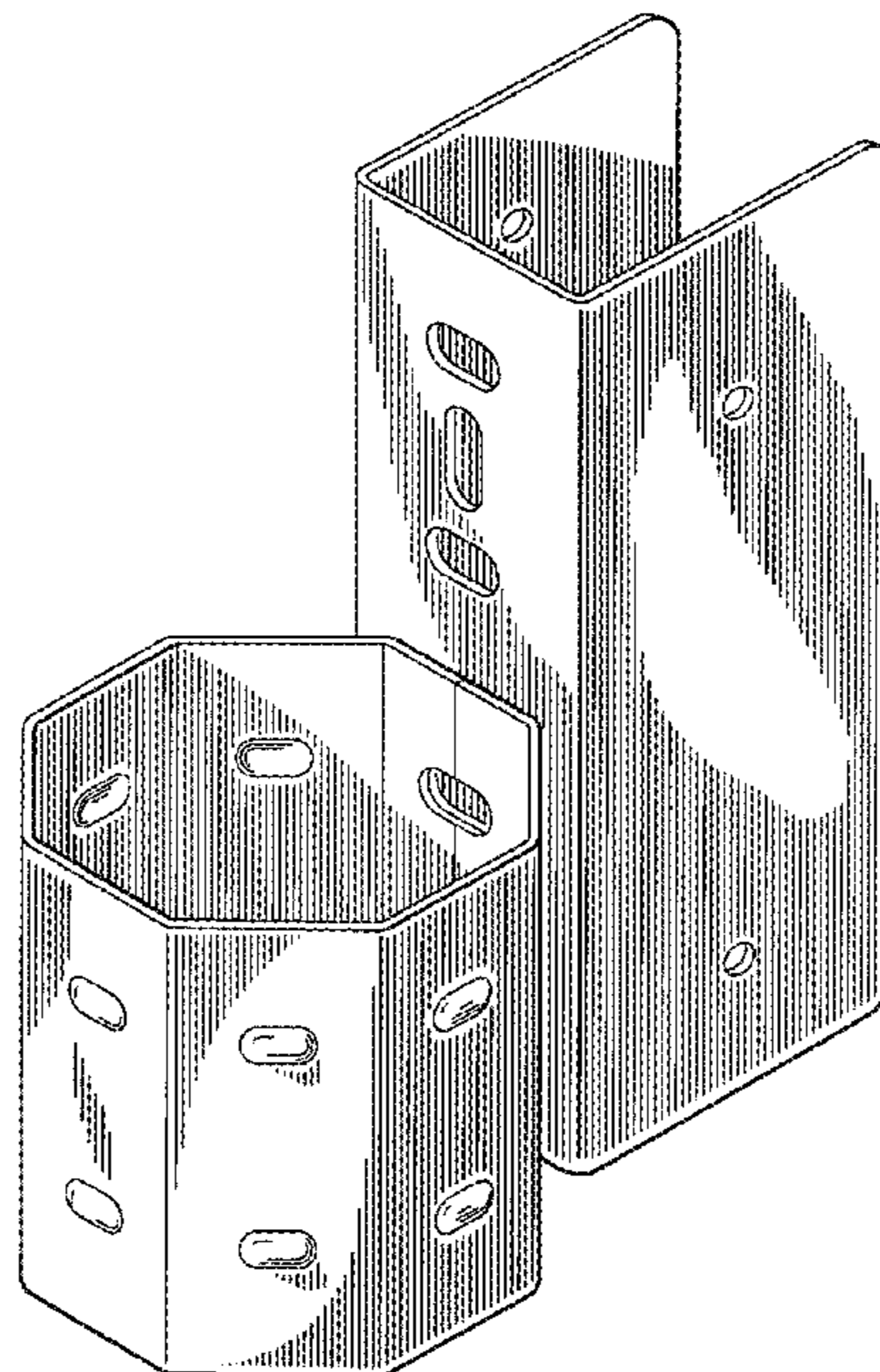
FIG. 1 is a perspective front, top, and right side view of a raised garden corner connector, showing my new design; FIG. 2 is a top view thereof, the bottom view is a same image; FIG. 3 is a right side view thereof, the left side view is a mirror image; FIG. 4 is a front view thereof; and, FIG. 5 is a rear view thereof.

**1 Claim, 3 Drawing Sheets**

(56) **References Cited**

U.S. PATENT DOCUMENTS

1,291,872	A *	1/1919	Heinze .....	F16L 3/04 211/87.01
1,334,639	A *	3/1920	Walker .....	F16B 12/54 5/290
2,562,116	A	7/1951	Nelson	
4,651,466	A	3/1987	Robinson	
5,154,032	A	10/1992	Ritter	
5,291,708	A	3/1994	Johnson	
5,901,526	A	5/1999	Vidmar et al.	
D422,885	S *	4/2000	Marino .....	D8/354



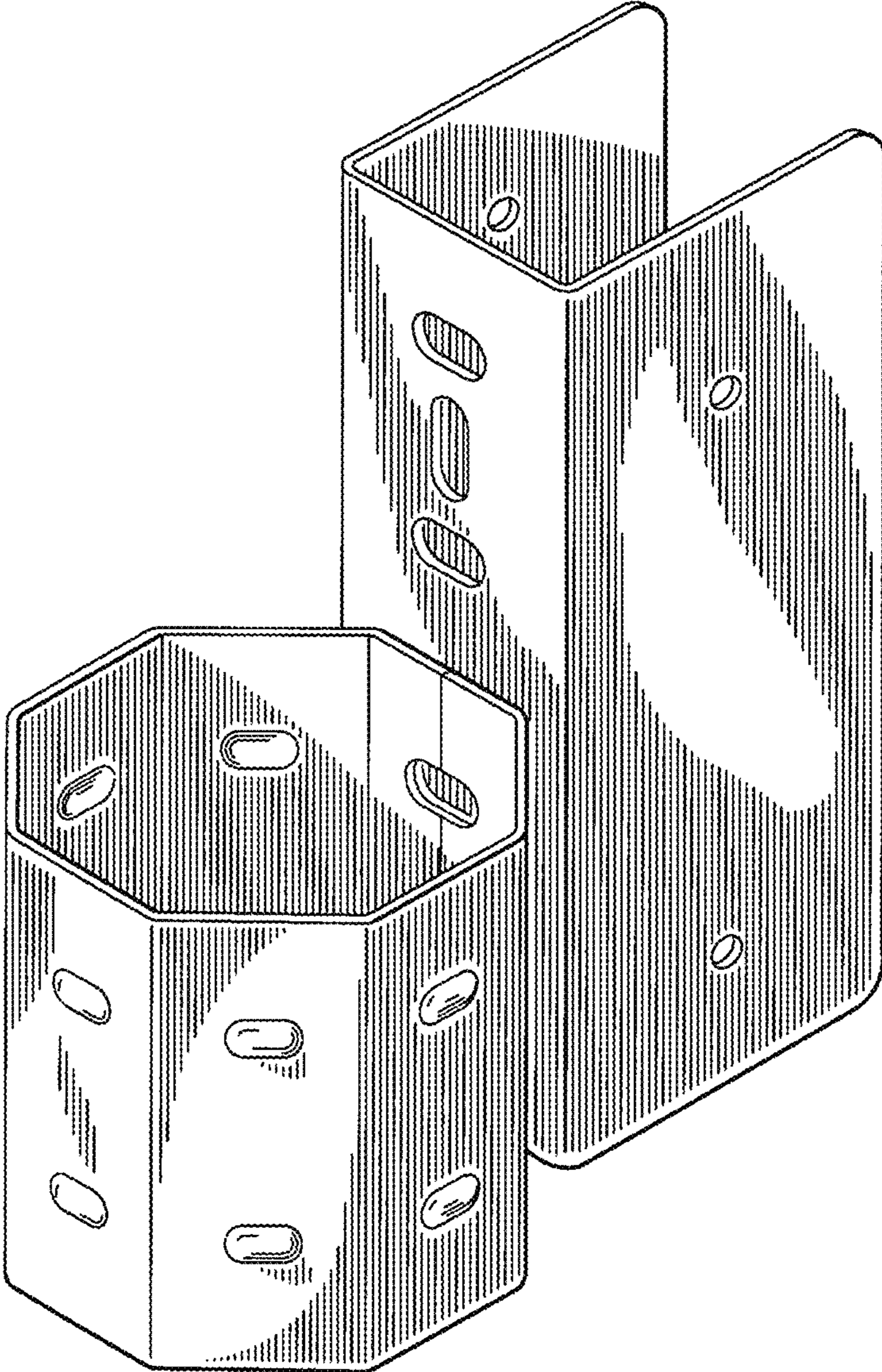


FIG. 1

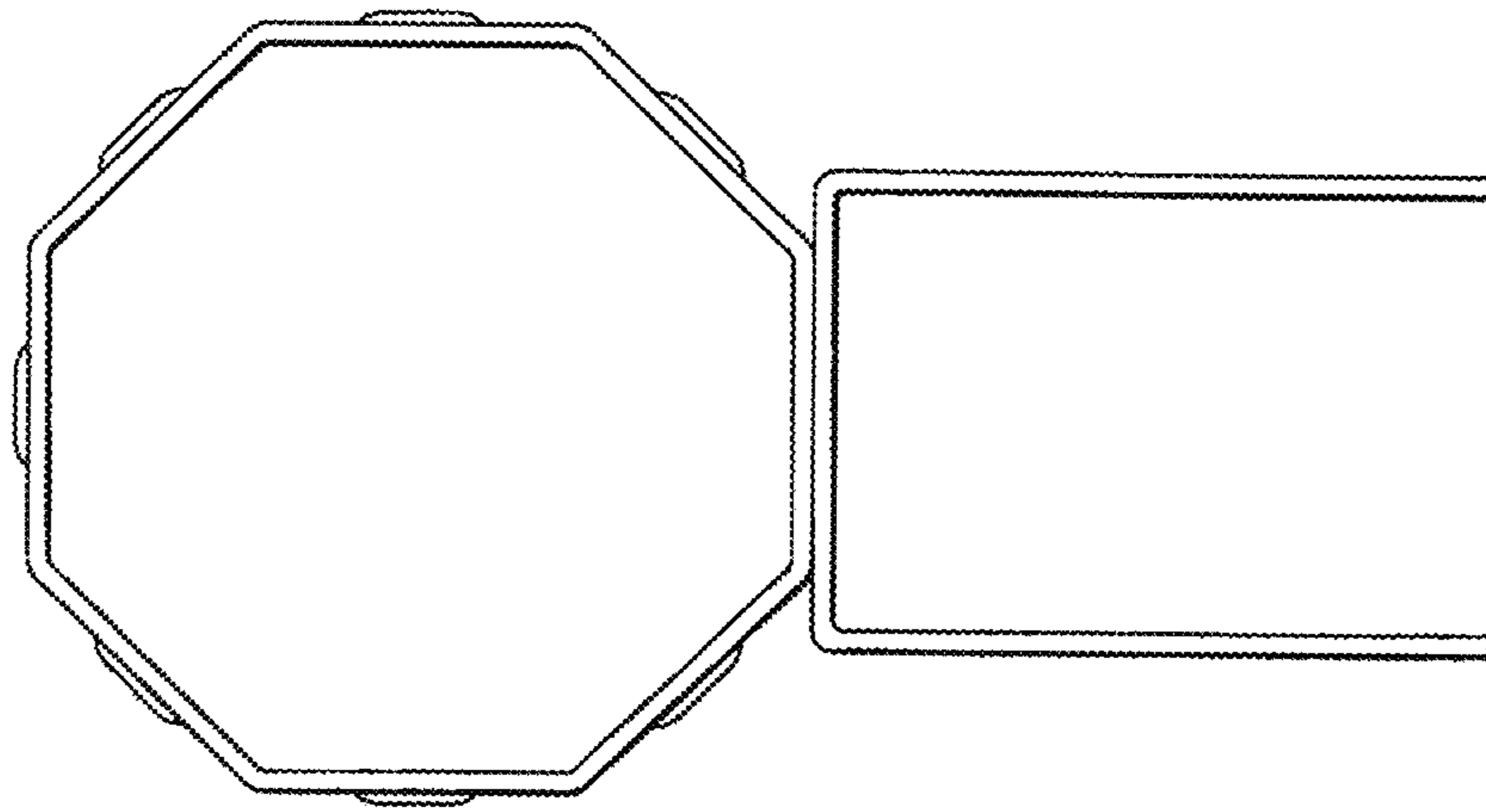


FIG. 2

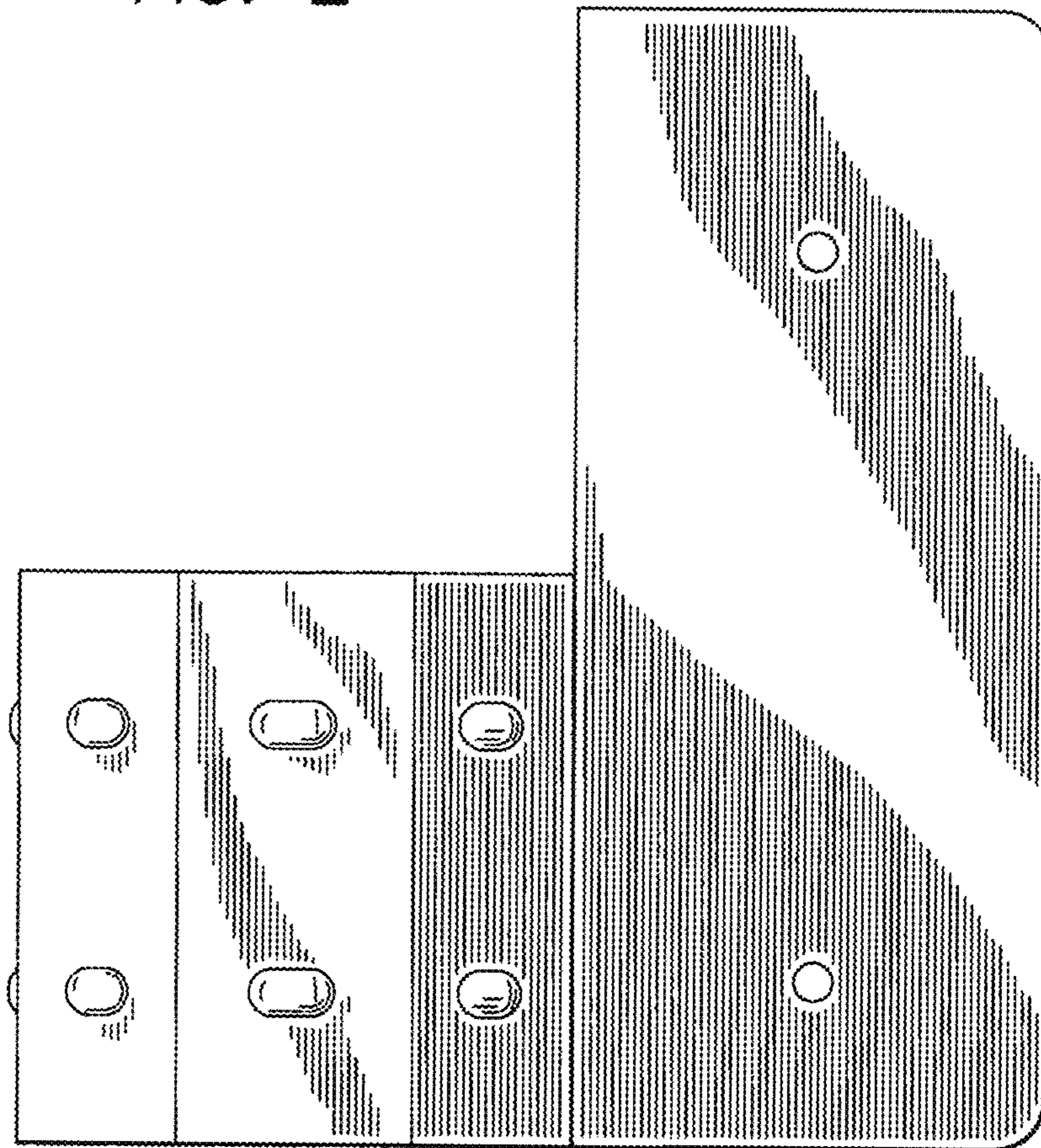


FIG. 3

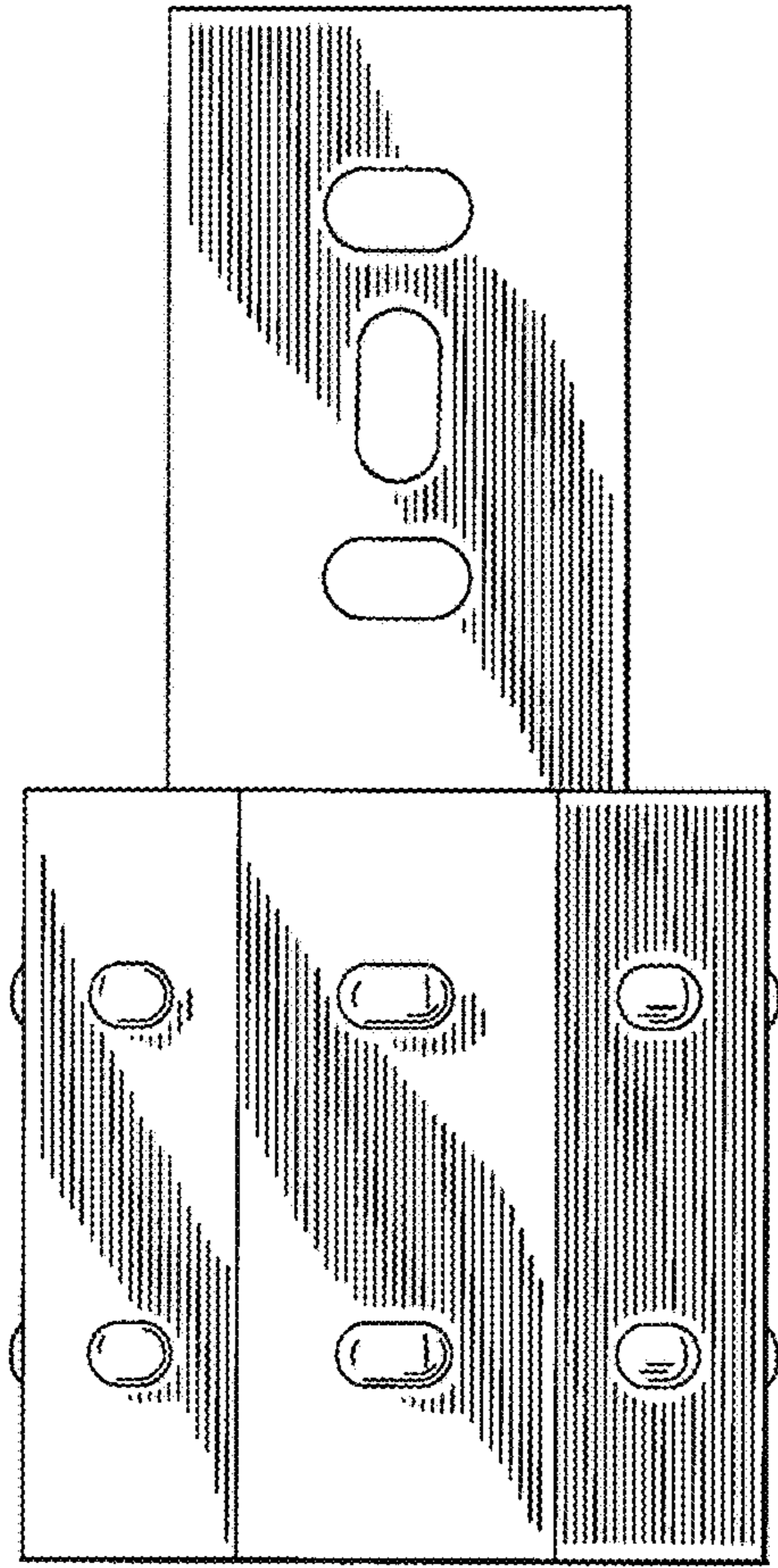


FIG. 4

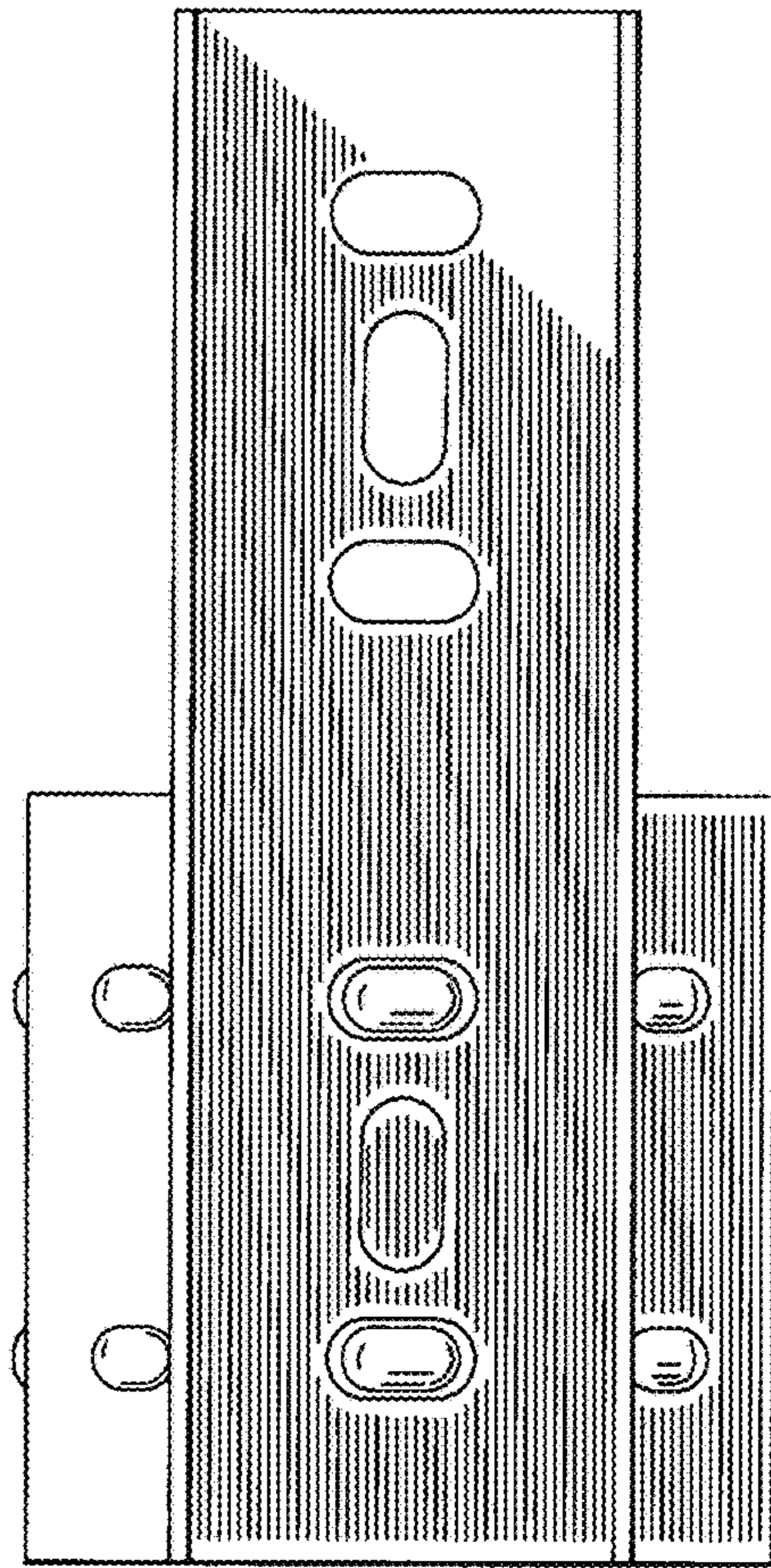


FIG. 5