



US00D826693S

(12) **United States Design Patent** (10) **Patent No.:** **US D826,693 S**  
**Bennett et al.** (45) **Date of Patent:** **\*\* Aug. 28, 2018**

(54) **FOOTMAN LOOP**  
(71) Applicant: **Omix-Ada, Inc.**, Suwanee, GA (US)  
(72) Inventors: **Patrick W. Bennett**, Gainesville, GA (US); **Amir Rahbaripour**, Johns Creek, GA (US)  
(73) Assignee: **Omix-ADA, Inc.**, Suwanee, GA (US)  
(\*\*) Term: **15 Years**  
(21) Appl. No.: **29/604,601**  
(22) Filed: **May 18, 2017**  
(51) **LOC (11) Cl.** ..... **08-08**  
(52) **U.S. Cl.**  
USPC ..... **D8/349**; D12/223  
(58) **Field of Classification Search**  
USPC ..... D8/60, 61, 77, 82, 342, 349, 354, 355, D8/356, 367, 382, 396, 499; D12/223, D12/406  
CPC ... B60R 9/00; B60R 9/06; B60R 9/042; B60J 7/102; B60J 7/104; B60P 3/073  
See application file for complete search history.

9,963,078 B1 \* 5/2018 Zimmermann ..... B60R 7/08  
2007/0045482 A1 \* 3/2007 Smart ..... F16L 3/04  
248/68.1  
2016/0001711 A1 \* 1/2016 Hughes ..... B60D 1/58  
224/403

**OTHER PUBLICATIONS**

Jeep Wrangler JK Rugged Ridge Hood Dress Up Kit Elite, published by CJ Offroad on Sep. 21, 2017 on youtube.com, retrieved on Jun. 10, 2018, retrieved from the Internet URL: [https://www.youtube.com/watch?v=WUtpTm0\\_Hio](https://www.youtube.com/watch?v=WUtpTm0_Hio).  
Photos 1-4.

\* cited by examiner

*Primary Examiner* — Jennifer Rivard  
*Assistant Examiner* — Alison M Ofstun  
(74) *Attorney, Agent, or Firm* — Womble Bond Dickinson (US) LLP

(57) **CLAIM**

The ornamental design for a footman loop, as shown and described.

(56) **References Cited**

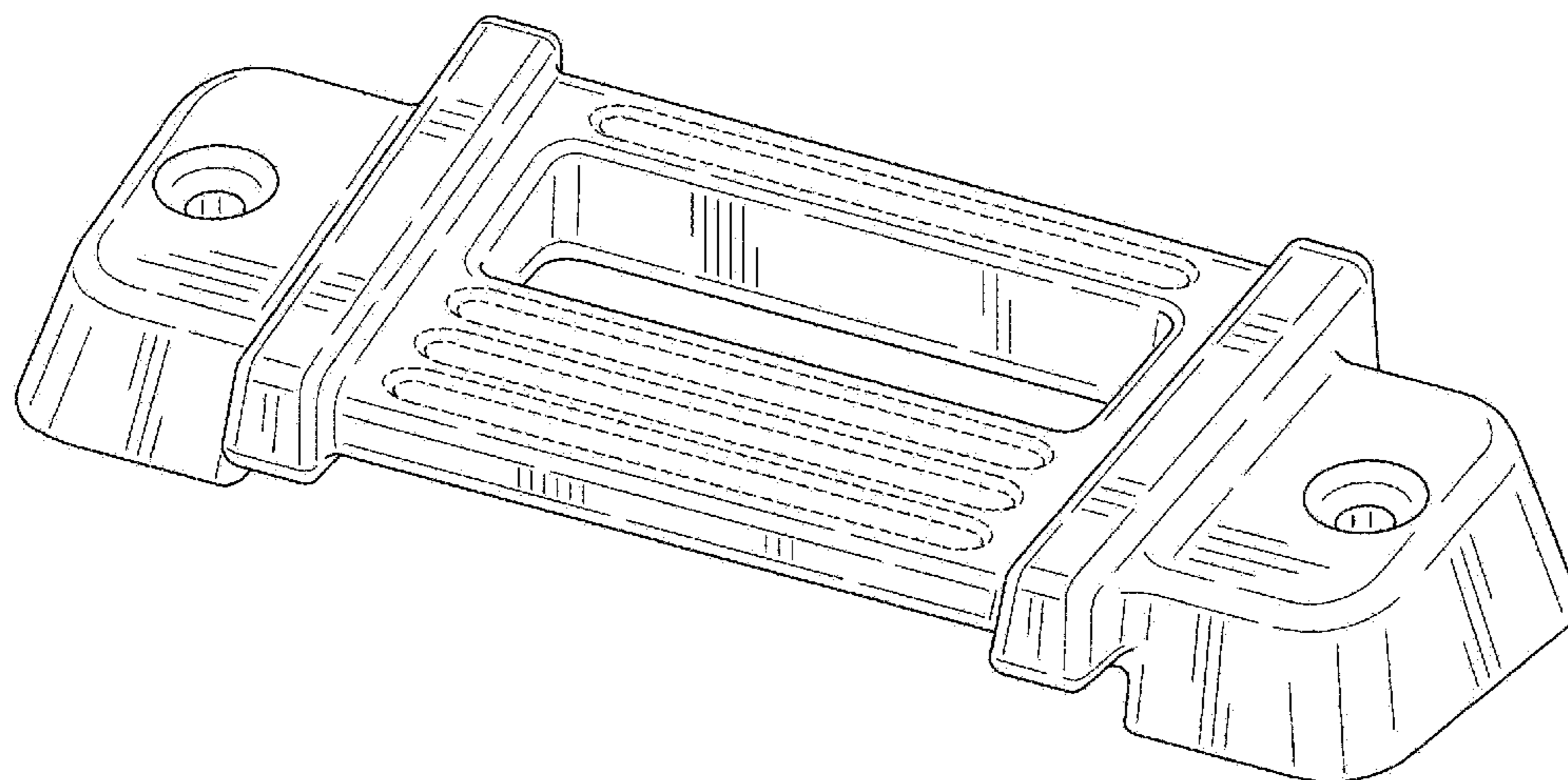
**U.S. PATENT DOCUMENTS**

3,695,698 A \* 10/1972 Trump ..... B60R 21/06  
280/749  
D433,970 S \* 11/2000 McCoy ..... D12/162  
D447,728 S \* 9/2001 McCoy ..... D12/406  
D573,528 S \* 7/2008 Roche ..... D12/406  
D635,909 S \* 4/2011 Moore ..... D12/406  
D671,447 S \* 11/2012 Nerison, Sr. .... D11/210  
9,517,723 B1 \* 12/2016 Dellock ..... B60Q 3/30  
9,528,271 B2 \* 12/2016 Rook ..... E04H 12/12  
D795,781 S \* 8/2017 Itou ..... D12/223  
9,726,303 B1 \* 8/2017 Gretz ..... F16L 3/00  
D808,890 S \* 1/2018 Fenchak ..... D12/414  
D810,008 S \* 2/2018 Mollison ..... D13/102  
D810,010 S \* 2/2018 Rook ..... D13/102  
9,950,598 B2 \* 4/2018 Stickles ..... B60J 7/104

**DESCRIPTION**

FIG. 1 is a right front perspective view of a footman loop showing our new design.  
FIG. 2 is a front elevational view thereof.  
FIG. 3 is a top plan view thereof.  
FIG. 4 is a rear elevational view thereof.  
FIG. 5 is a bottom plan view thereof; and,  
FIG. 6 is a right side elevational view thereof, the left side elevational view being a mirror image of the right side elevational view.  
In the drawings, the broken lines represent portions of the footman loop which form no part of the claimed design.

**1 Claim, 3 Drawing Sheets**



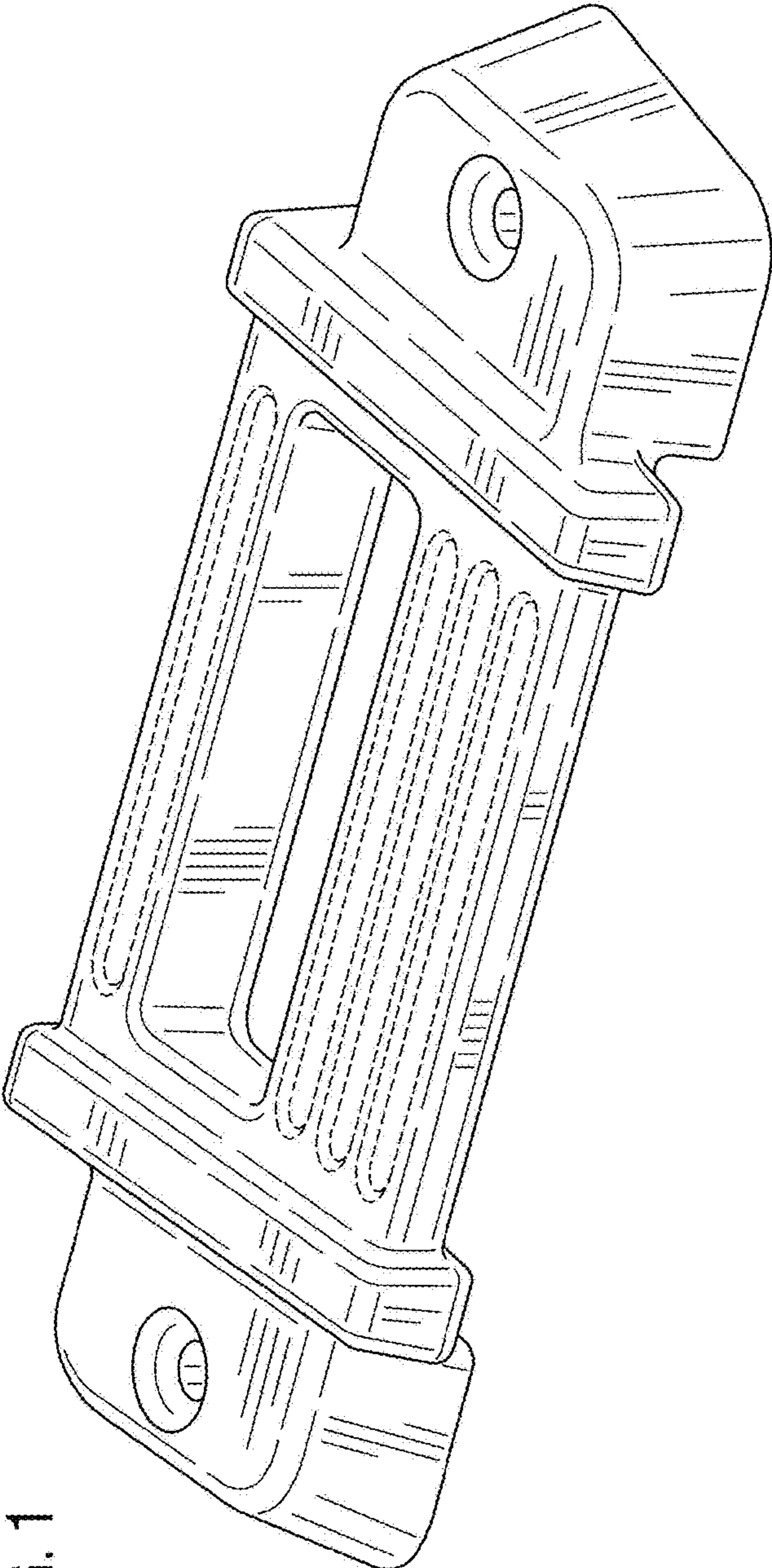


FIG. 1

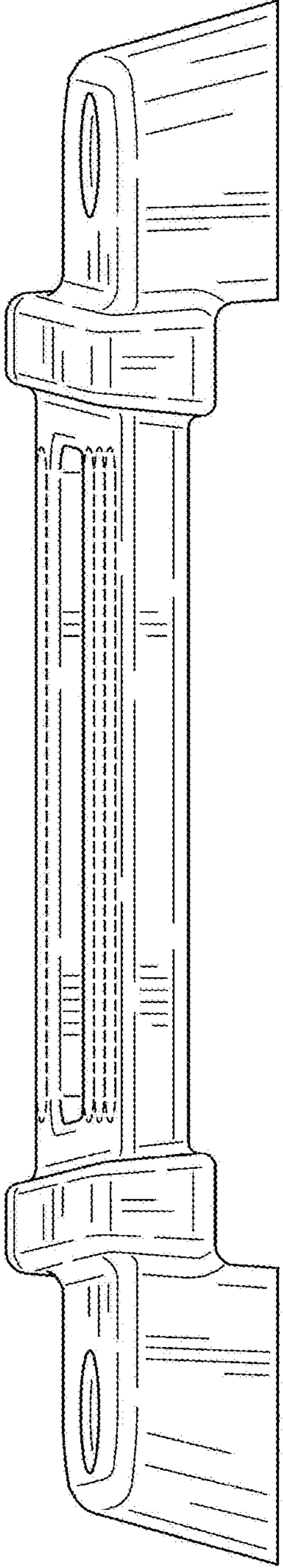
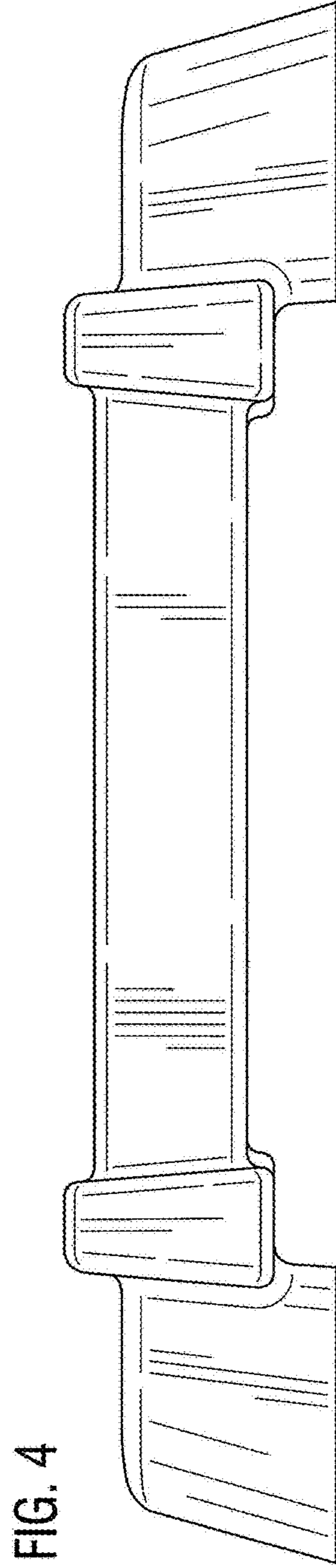
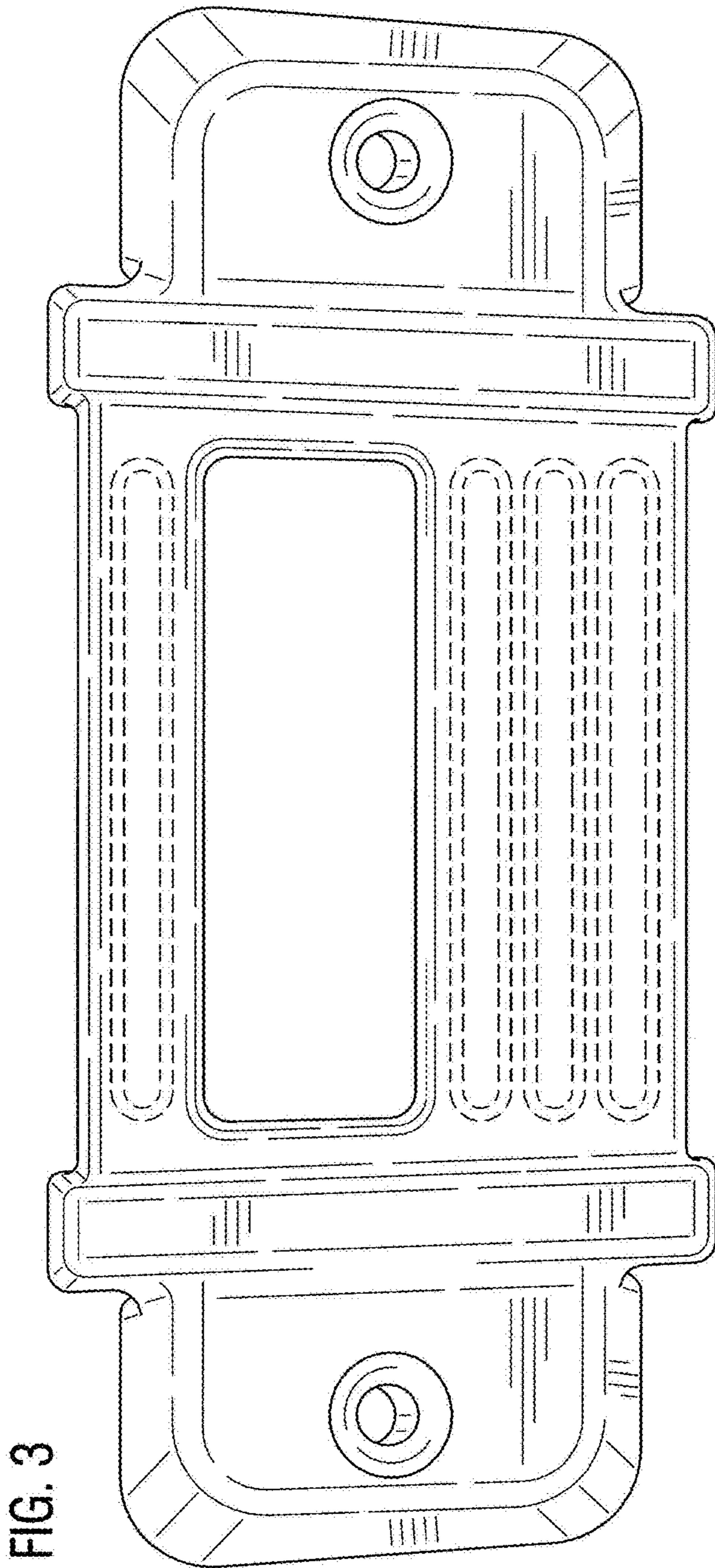


FIG. 2



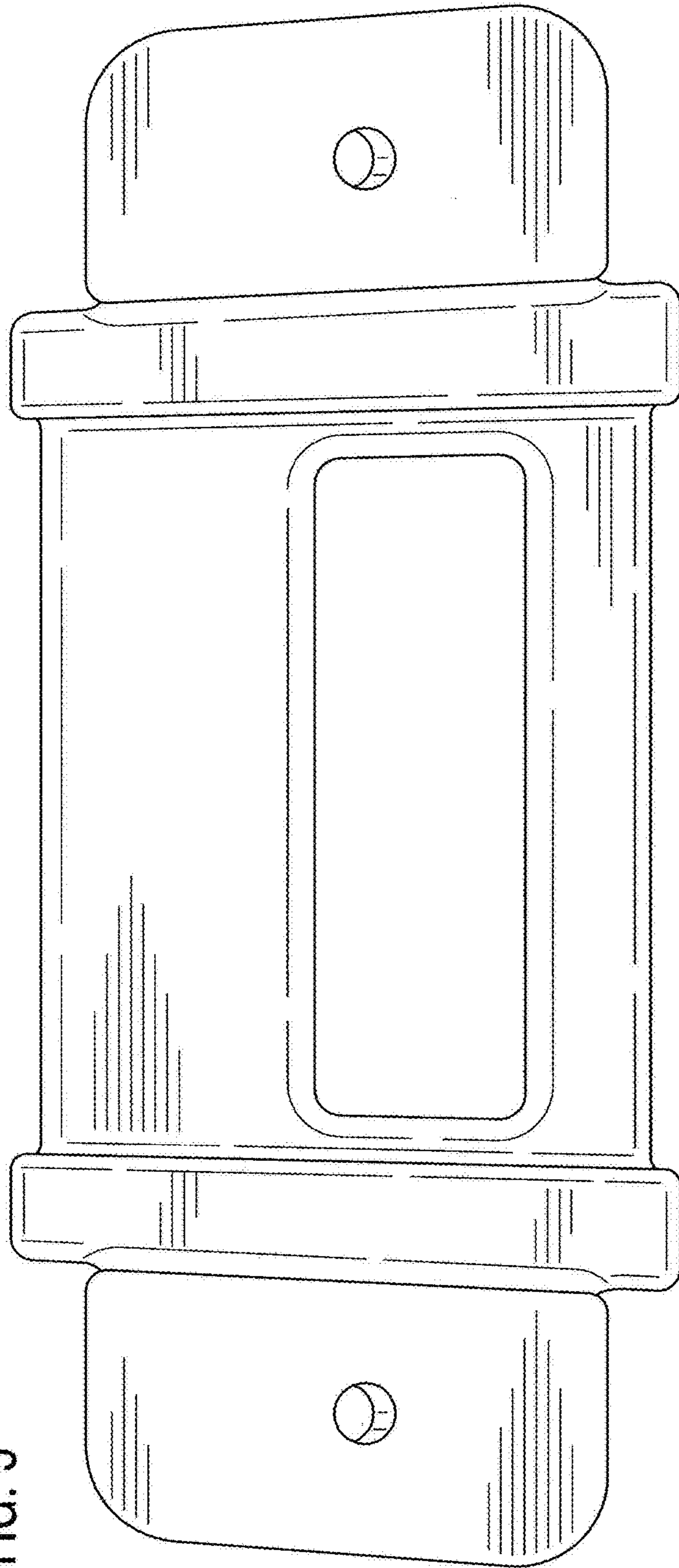


FIG. 5

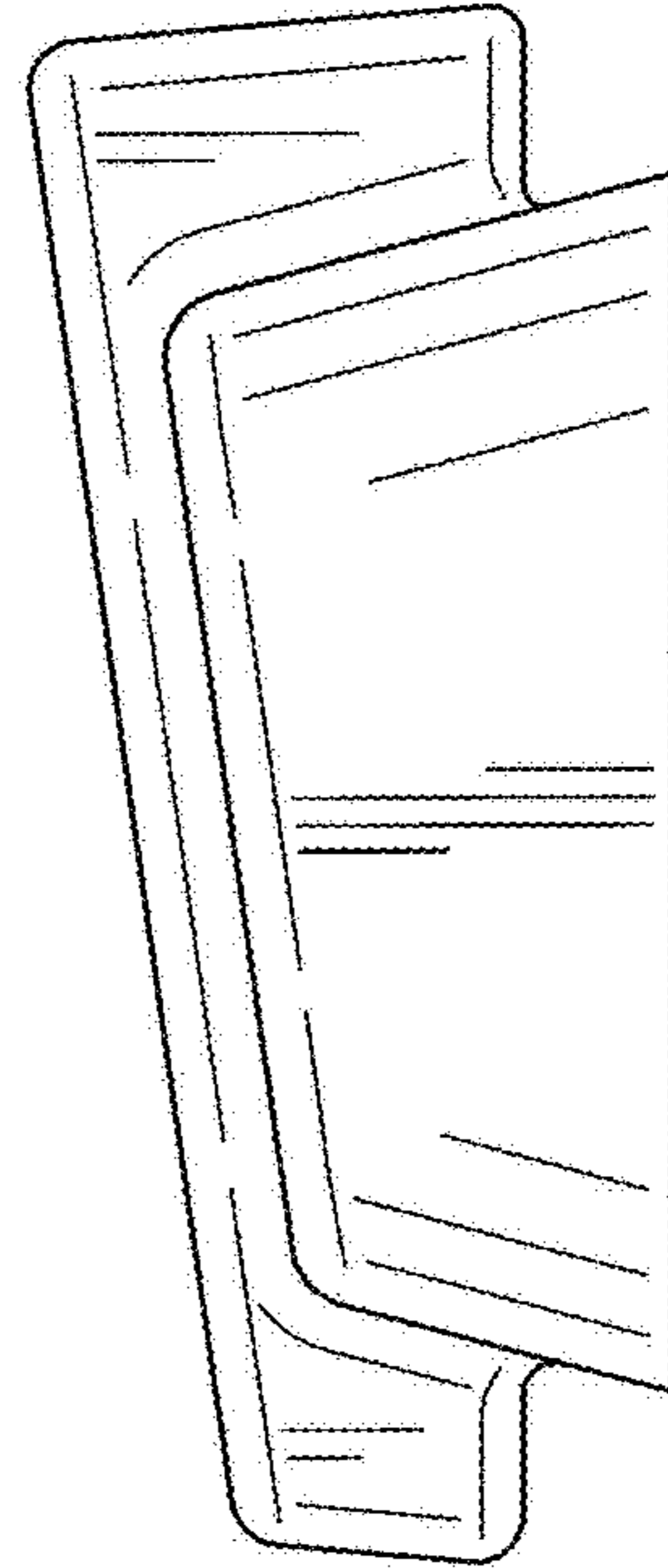


FIG. 6