



US00D826691S

(12) **United States Design Patent** (10) **Patent No.:** **US D826,691 S**
Peterse et al. (45) **Date of Patent:** **** Aug. 28, 2018**

(54) **TRAILER**

(71) Applicant: **Assa Abloy Entrance Systems AB**,
Landskrona (SE)

(72) Inventors: **Ton Peterse**, Soest (NL); **Marco
Krechting**, Zetten (NL)

(73) Assignee: **ASSA ABLOY ENTRANCE
SYSTEMS AB**, Landskrona (SE)

(**) Term: **15 Years**

(21) Appl. No.: **29/607,483**

(22) Filed: **Jun. 13, 2017**

(30) **Foreign Application Priority Data**

Dec. 14, 2016 (EM) 003515840-0001

(51) **LOC (11) Cl.** **21-01**

(52) **U.S. Cl.**
USPC **D8/343**; D8/330

(58) **Field of Classification Search**
USPC D8/330, 331, 339, 341, 343, 349, 354,
D8/355, 382, 400; 70/14, 1.5, 54, 51, 56,
70/57, 202, 229, 232, 237, 240, 258, 431,
70/460, 466, DIG. 75, DIG. 79, DIG. 80;
292/281, 283, 288, 289, 307 R, 340,
292/DIG. 32, DIG. 29

CPC E05B 17/00; E05B 73/00; E05B 79/00;
E05B 83/00; B60D 1/00; B60D 1/36

See application file for complete search history.

(56) **References Cited**

U.S. PATENT DOCUMENTS

D402,602	S *	12/1998	Niswanger	D12/162
D436,064	S *	1/2001	Niswanger	D12/162
6,402,181	B1 *	6/2002	Lee	B60D 1/52 280/507
6,412,314	B1 *	7/2002	Jenks	B60D 1/065 280/507
D508,645	S *	8/2005	Marr	D8/343
6,962,361	B1 *	11/2005	Price	B60D 1/60 280/507
D519,825	S *	5/2006	Marr	D12/106
D541,151	S *	4/2007	Born	D9/445
D646,951	S *	10/2011	Tsai	D8/330
9,032,633	B2 *	5/2015	Pittman	B60D 1/36 29/407.1
D789,176	S *	6/2017	Bruce	D8/330
9,770,955	B2 *	9/2017	Su	B60D 1/60
9,796,229	B2 *	10/2017	Yuan	B60D 1/60

* cited by examiner

Primary Examiner — Prabhakar G Deshmukh

(74) *Attorney, Agent, or Firm* — Wissing Miller LLP

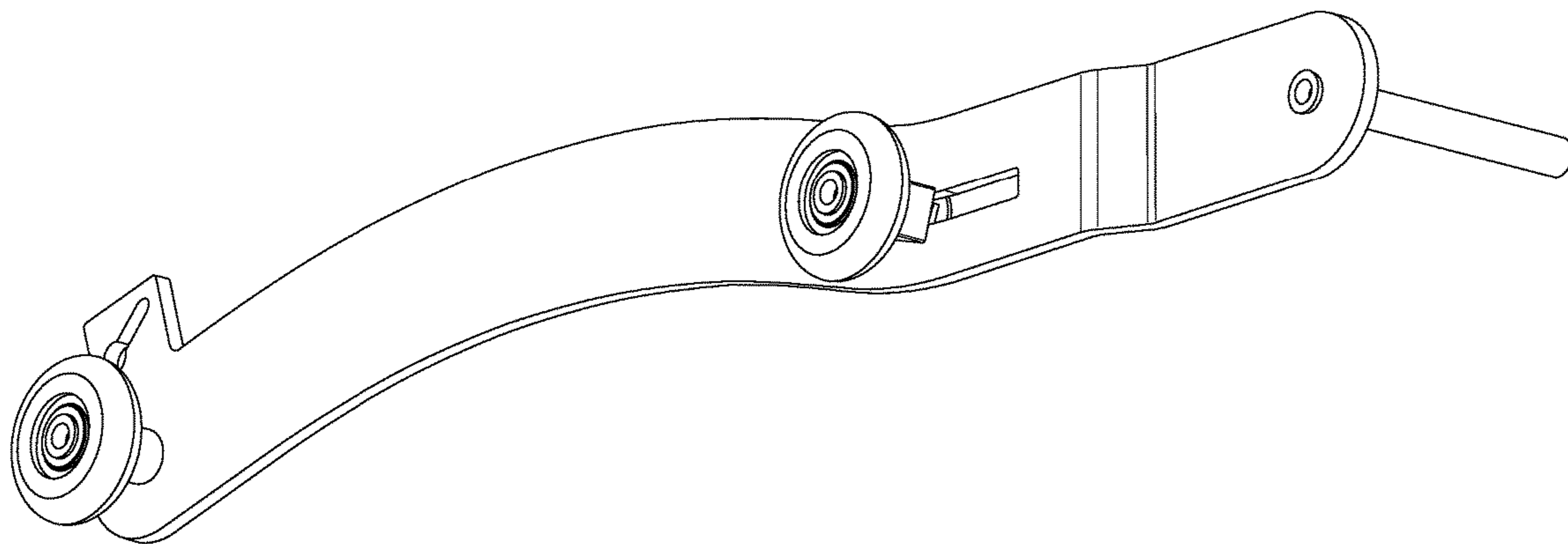
(57) **CLAIM**

The ornamental design for a trailer, as shown and described.

DESCRIPTION

FIG. 1 is a top, left perspective view of a trailer showing our new design; and, FIG. 2 is a bottom, right perspective view thereof.

1 Claim, 2 Drawing Sheets



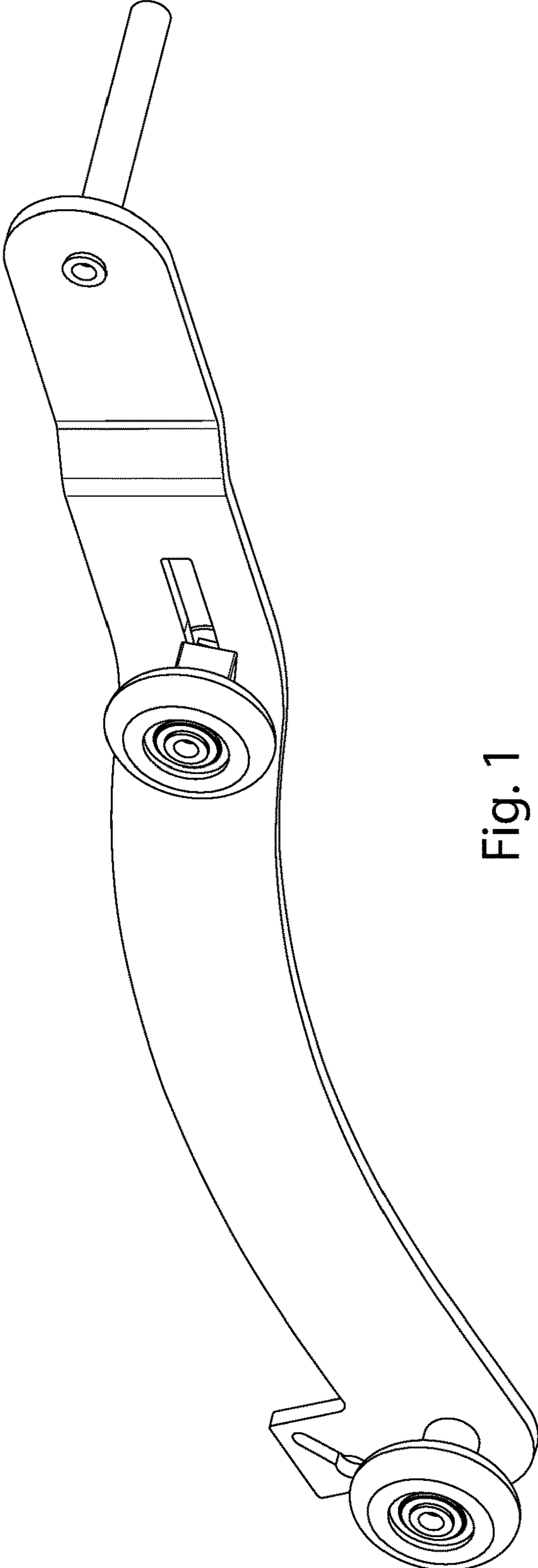


Fig. 1

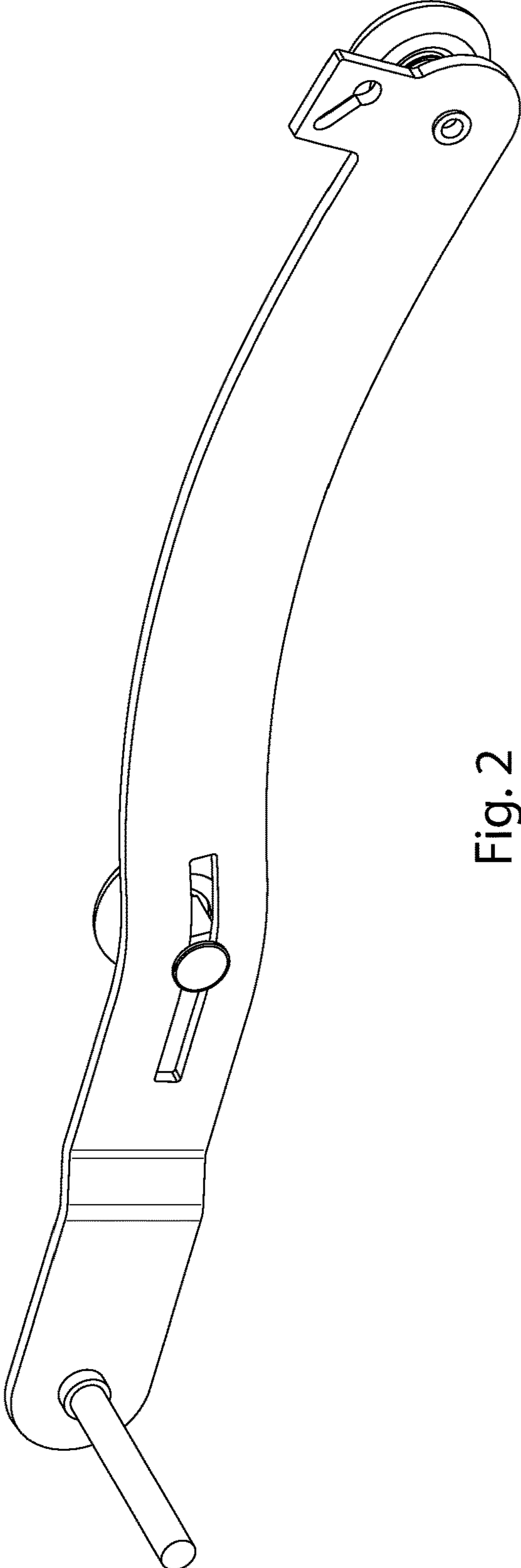


Fig. 2