

US00D826690S

(12) **United States Design Patent** (10) **Patent No.:** **US D826,690 S**
Chiang (45) **Date of Patent:** **** Aug. 28, 2018**

(54) **LOCK ESCUTCHEON** D682,657 S * 5/2013 Roberts, III D8/331
 8,490,445 B2 * 7/2013 Chiou E05B 47/0012
 70/224

(71) Applicant: **TAIWAN FU HSING INDUSTRIAL** D696,569 S * 12/2013 Luo D8/331
CO., LTD., Kaohsiung (TW) D698,222 S * 1/2014 Guo D8/330
 D705,037 S * 5/2014 Yang D8/331

(72) Inventor: **Hong-I Chiang,** Kaohsiung (TW) D720,598 S * 1/2015 Dayanikli D8/330
 D729,610 S * 5/2015 Gao D8/331

(73) Assignee: **Taiwan Fu Hsing Industrial Co., Ltd.,** D732,372 S * 6/2015 Gao D8/334
 Kaohsiung (TW) D736,590 S * 8/2015 Roberts, III D8/330
 D736,591 S * 8/2015 Groleski D8/330
 D737,117 S * 8/2015 Chan D8/330
 D737,118 S * 8/2015 Chan D8/330
 D755,036 S * 5/2016 Lu D8/331

(**) Term: **15 Years**

(21) Appl. No.: **29/610,542** (Continued)

(22) Filed: **Jul. 13, 2017**

(30) **Foreign Application Priority Data**

Mar. 29, 2017 (TW) 106301670

(51) **LOC (11) Cl.** **08-07**
(52) **U.S. Cl.**
USPC **D8/331**

(58) **Field of Classification Search**
USPC D8/300-302, 330, 331, 334, 350; 70/14,
70/20-22, 57, 57.1, 284-286, 314,
70/DIG. 26, DIG. 27, DIG. 44
CPC ... E05B 1/00; E05B 3/00; E05B 47/00; E05B
49/00; E05B 9/00; E05B 9/02
See application file for complete search history.

(56) **References Cited**

U.S. PATENT DOCUMENTS

D552,964 S * 10/2007 Bogdanov D8/343
 D552,968 S * 10/2007 Roberts D8/330
 D553,953 S * 10/2007 Roberts D8/330
 D579,312 S * 10/2008 Veltz D8/330
 D588,439 S * 3/2009 Lin D8/330
 D637,472 S * 5/2011 Singtoroj D8/330
 D637,474 S * 5/2011 Schneider D8/330
 D645,726 S * 9/2011 Lu D8/330
 D666,074 S * 8/2012 Genord D8/330

FOREIGN PATENT DOCUMENTS

CN 302840285 6/2014
TW D171640 11/2015

(Continued)

Primary Examiner — Ian Simmons
Assistant Examiner — Yolanda Robinson
(74) *Attorney, Agent, or Firm* — Rosenberg, Klein & Lee

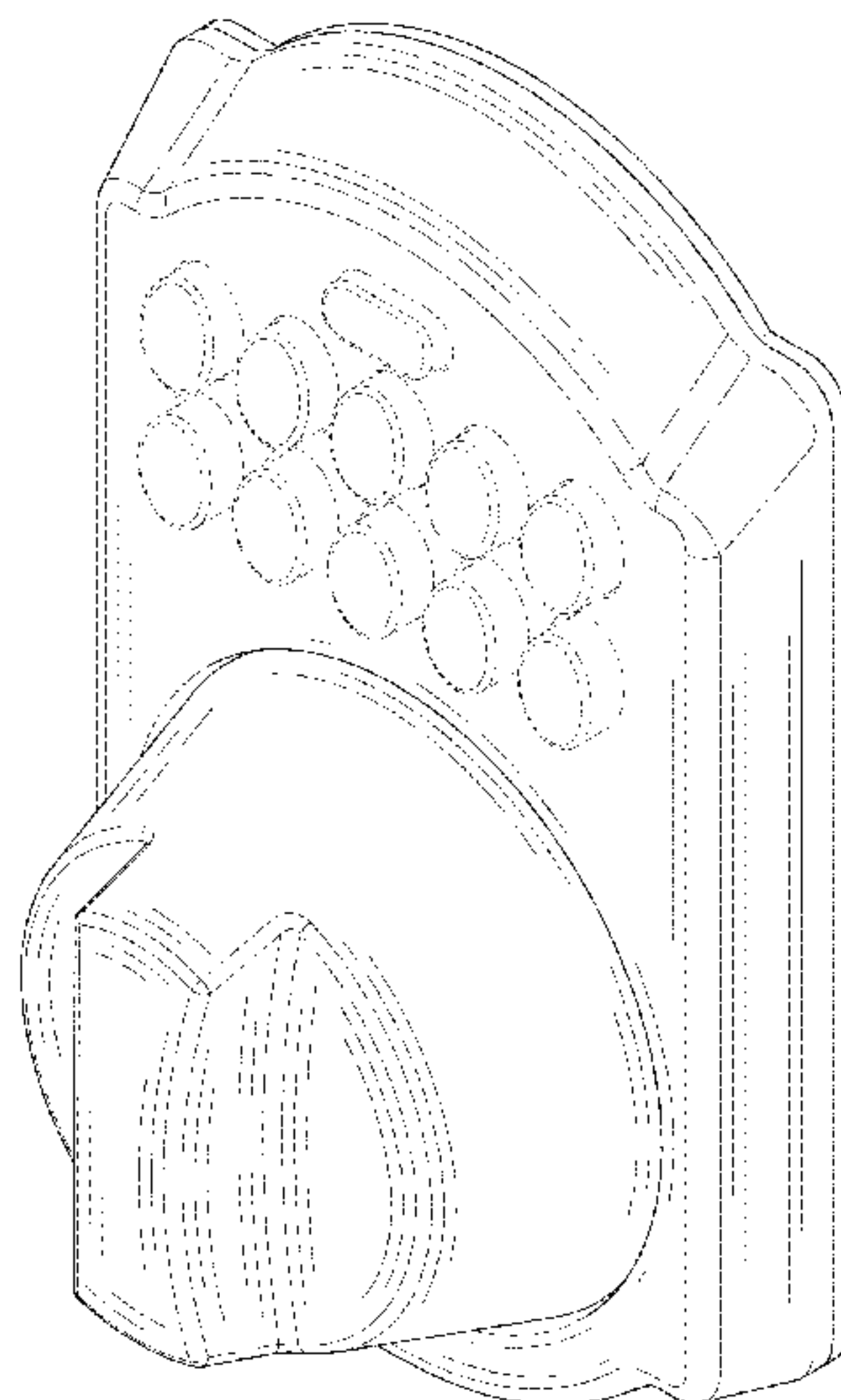
(57) **CLAIM**

The ornamental design for a lock escutcheon, as shown and described.

DESCRIPTION

FIG. 1 is a perspective view of the lock escutcheon showing my new design;
FIG. 2 is a front elevational view thereof;
FIG. 3 is a rear front elevational view thereof;
FIG. 4 is a left side elevational view thereof;
FIG. 5 is a right side elevational view thereof;
FIG. 6 is a top plan view thereof; and,
FIG. 7 is a bottom plan view thereof.
Any broken line illustration of environmental structure in the drawing is not part of the design.

1 Claim, 7 Drawing Sheets



(56)

References Cited

U.S. PATENT DOCUMENTS

D756,748 S * 5/2016 Lu D8/331
D756,749 S * 5/2016 Lu D8/331
D782,283 S * 3/2017 Chiang D8/331
D782,284 S * 3/2017 Chiang D8/331
D790,319 S * 6/2017 Schneider D8/331
D790,320 S * 6/2017 Schneider D8/331
D790,321 S * 6/2017 Hsu D8/331
D802,397 S * 11/2017 Schneider D8/331
D814,265 S * 4/2018 Kasper D8/330
2010/0257906 A1 * 10/2010 Sorensen E05B 47/068
70/91
2014/0041422 A1 * 2/2014 Chiou E05B 49/00
70/278.1
2016/0115713 A1 * 4/2016 Lin E05B 47/00
70/266
2017/0370127 A1 * 12/2017 Huang E05B 17/06

FOREIGN PATENT DOCUMENTS

TW D175696 5/2016
TW D178583 10/2016

* cited by examiner

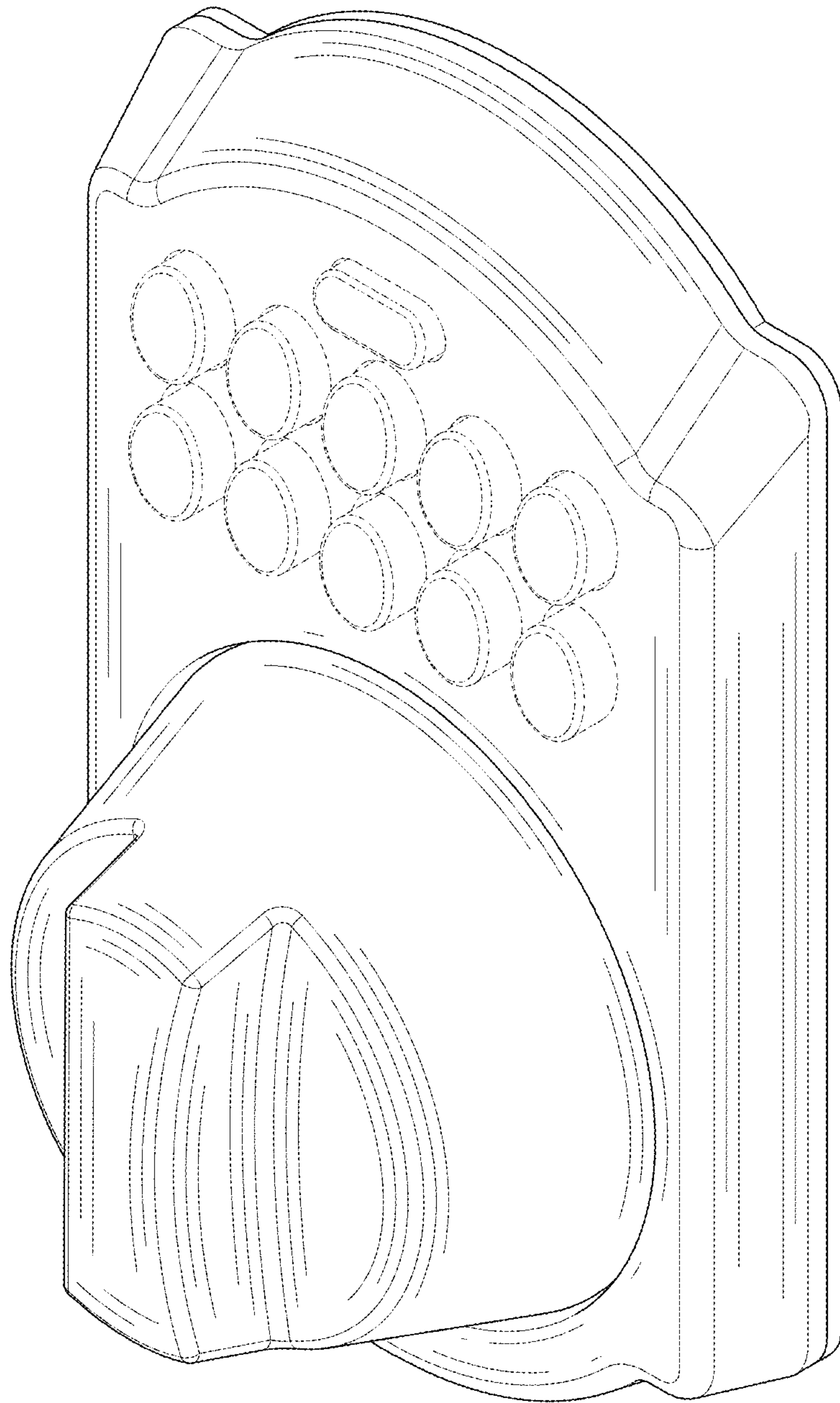


FIG.1

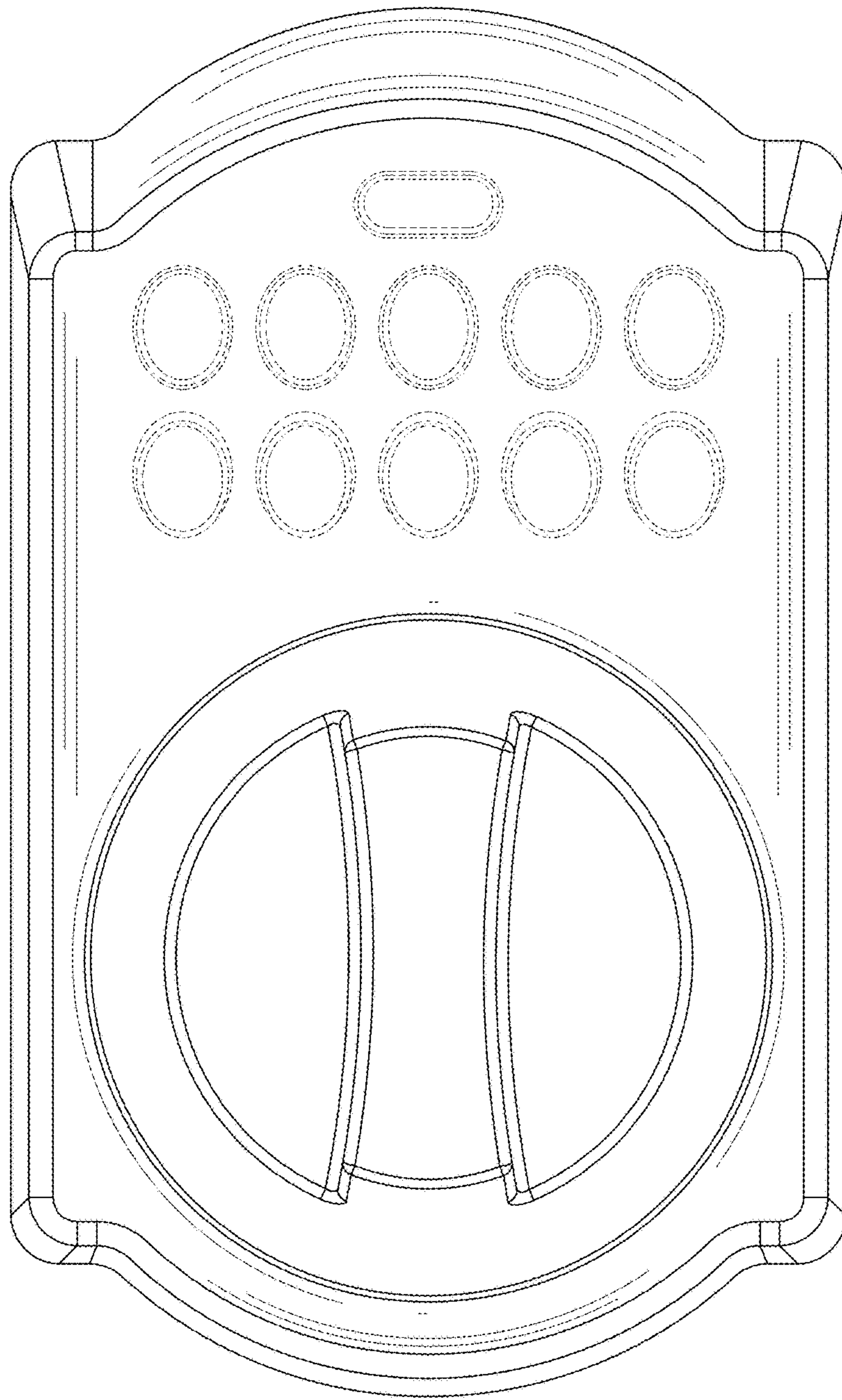


FIG.2

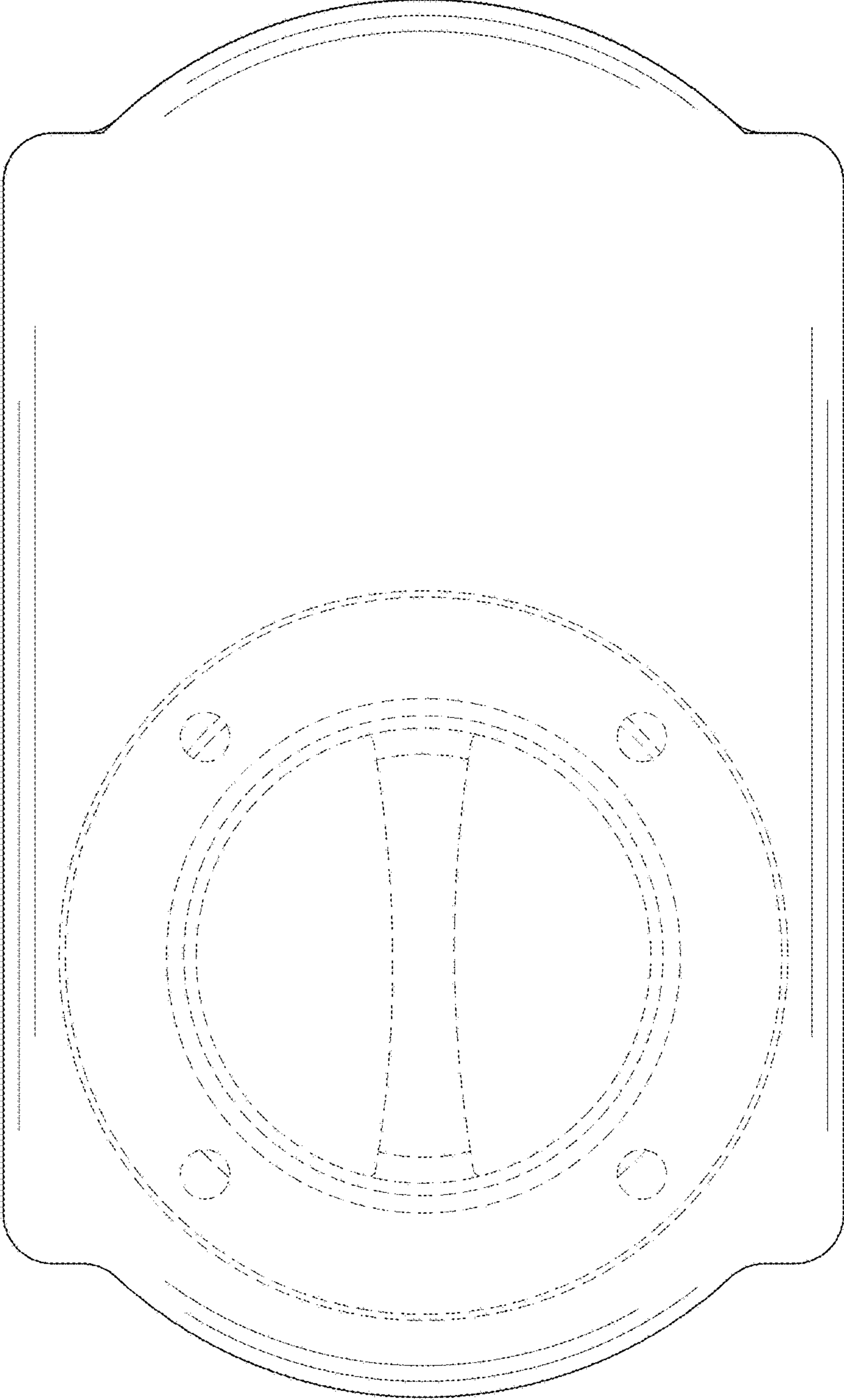


FIG.3

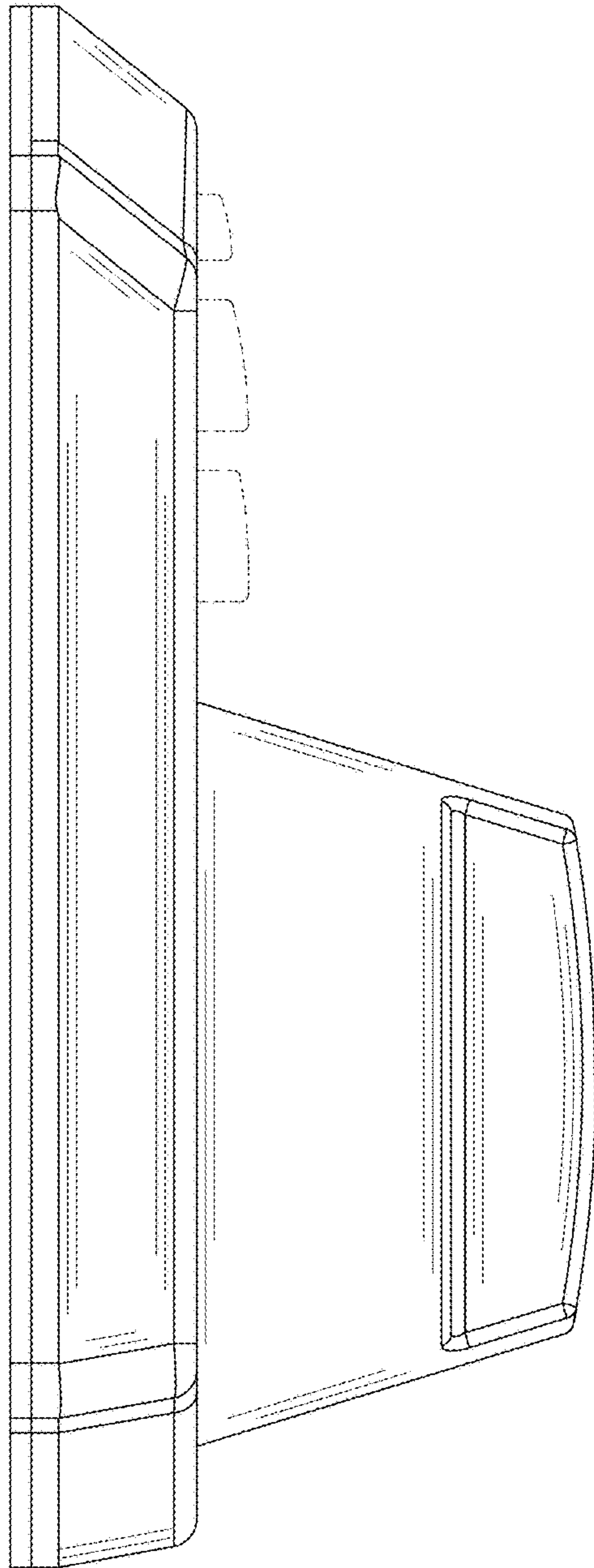


FIG.4

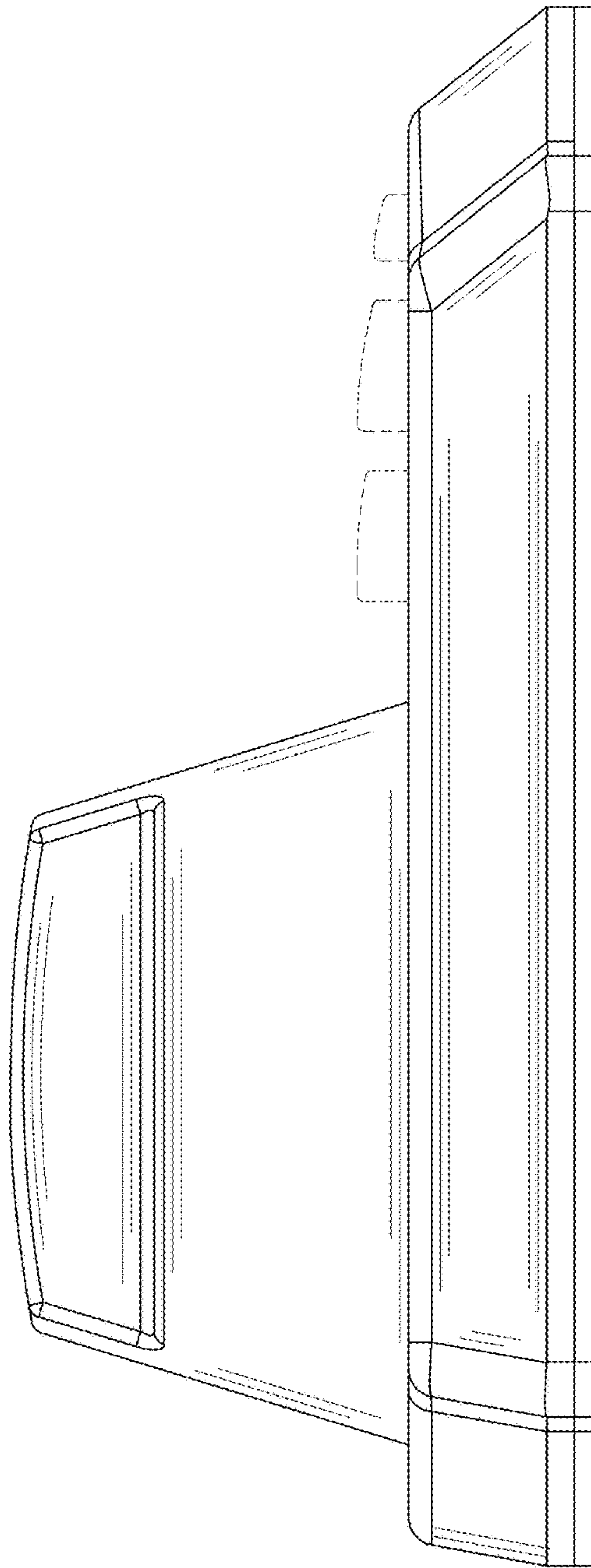


FIG.5

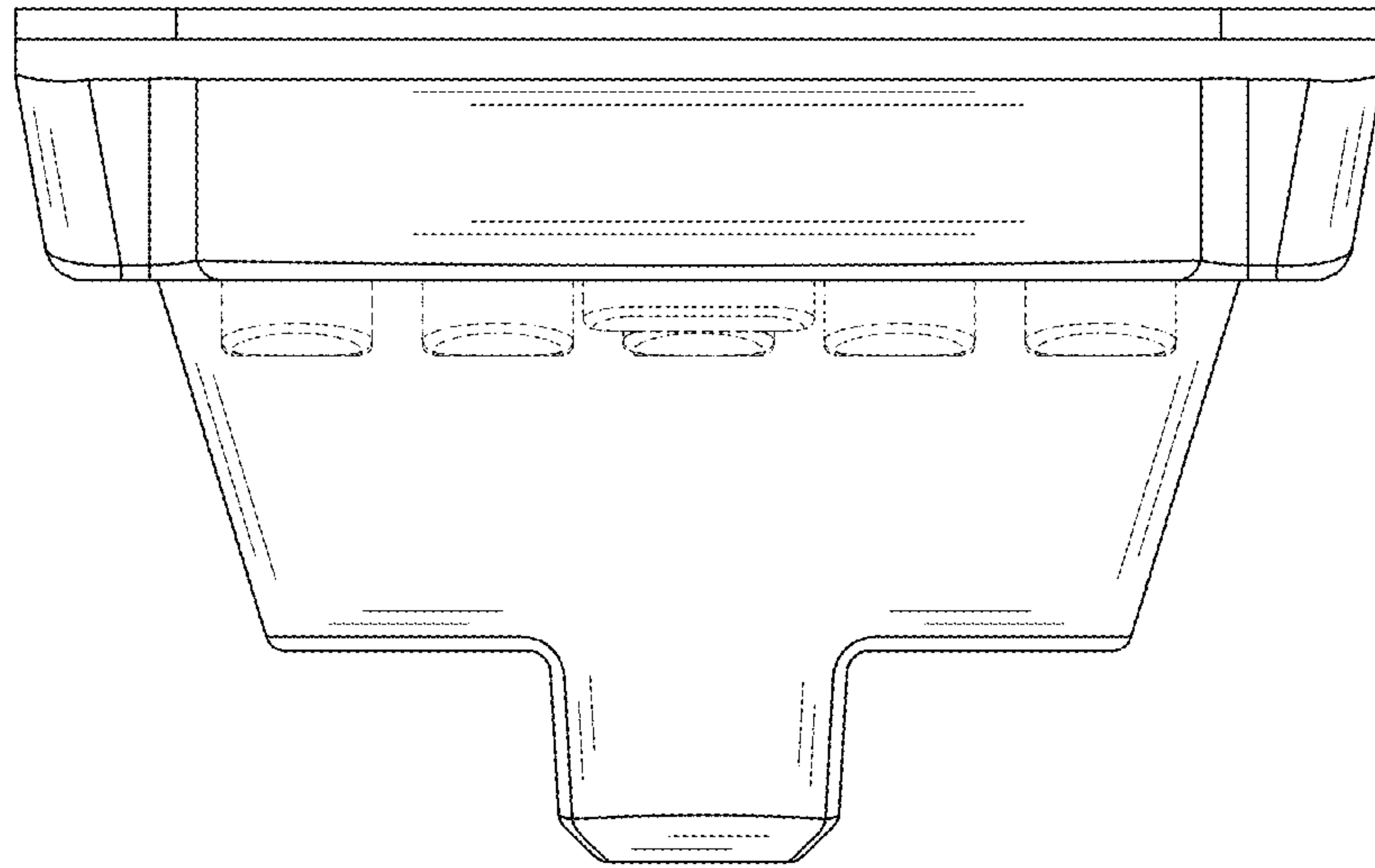


FIG.6

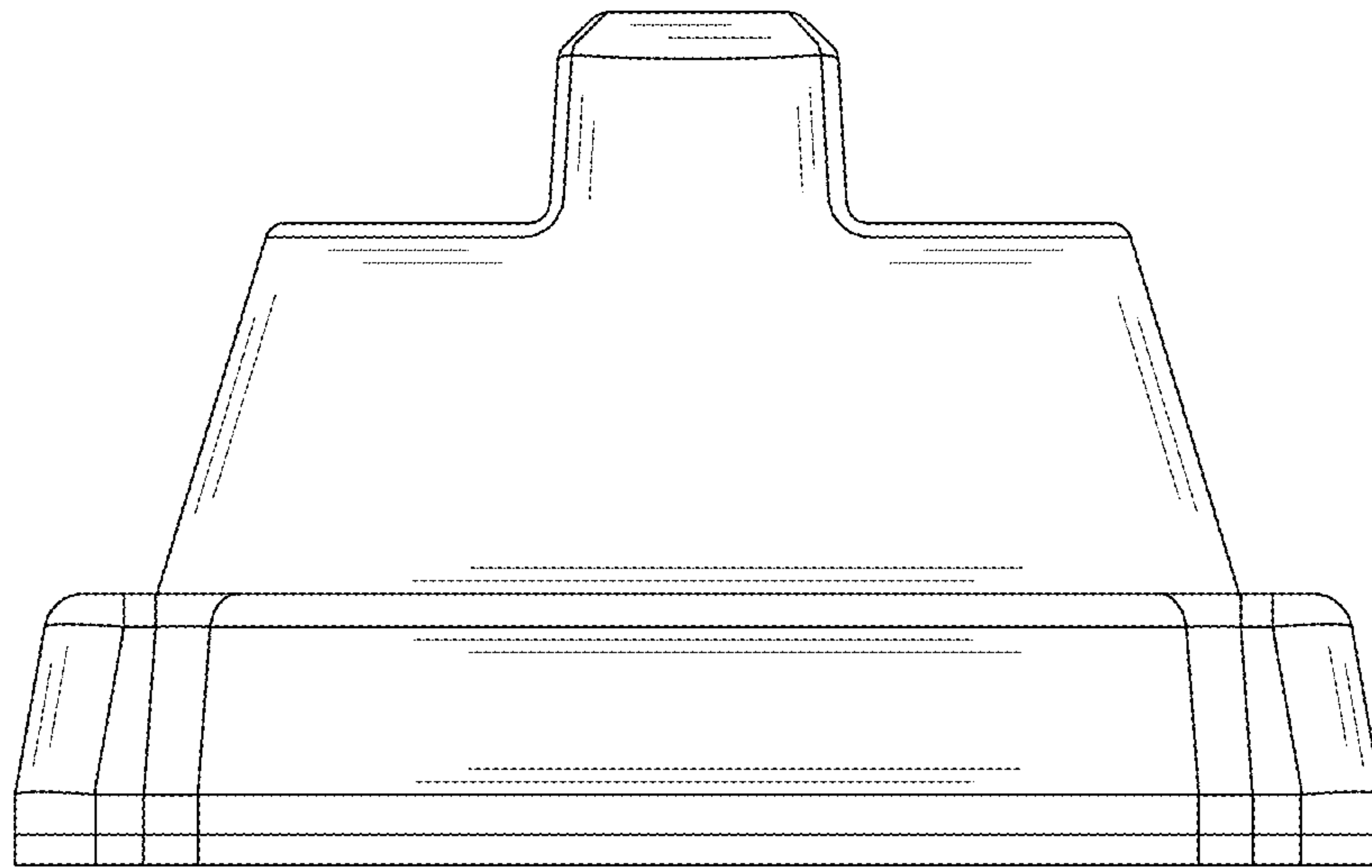


FIG.7