



US00D826689S

(12) **United States Design Patent** (10) **Patent No.:** **US D826,689 S**
Wei (45) **Date of Patent:** **** Aug. 28, 2018**

(54) **HINGE**
(71) Applicant: **Ideal Sanitary Ware Co., Ltd.**, Foshan (CN)
(72) Inventor: **Wuxiang Wei**, Foshan (CN)
(73) Assignee: **Ideal Sanitary Ware Co., Ltd.** (CN)
(**) Term: **15 Years**
(21) Appl. No.: **29/566,509**
(22) Filed: **May 31, 2016**
(51) **LOC (11) Cl.** **08-06**
(52) **U.S. Cl.**
USPC **D8/323**
(58) **Field of Classification Search**
USPC D8/323-329, 349, 354, 356, 384;
D23/303
CPC E05D 1/00; E05D 3/00; E05D 5/00; E05D
7/00; B29C 31/00; E05Y 2201/00; F16C
1/00; F16C 3/00; F16C 9/00
See application file for complete search history.

D688,121 S * 8/2013 Hobson D8/356
D688,548 S * 8/2013 Hobson D8/356
D725,989 S * 4/2015 Gompper D8/323
D748,450 S * 2/2016 Ganter D8/323
2011/0308041 A1* 12/2011 Le E05D 3/022
16/248

* cited by examiner

Primary Examiner — John Windmuller
Assistant Examiner — Benjamin M Weeks
(74) *Attorney, Agent, or Firm* — Lerner, David,
Littenberg, Krumholz & Mentlik, LLP

(57) **CLAIM**

The ornamental design for a hinge, as shown and described.

DESCRIPTION

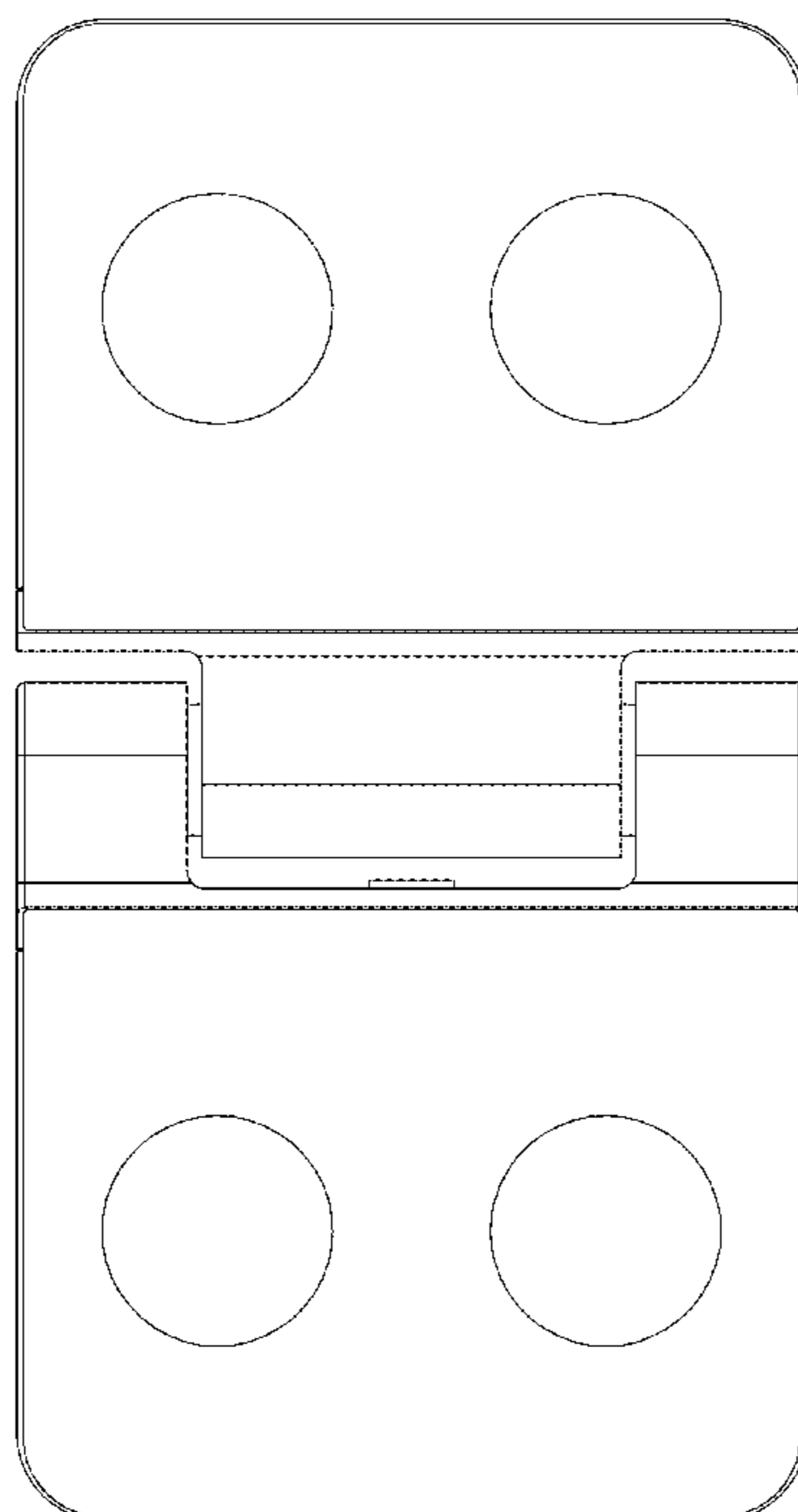
FIG. 1 is a front view of a hinge showing a first embodiment of my new design;
FIG. 2 is a rear view thereof;
FIG. 3 is a left side view thereof;
FIG. 4 is a right side view thereof;
FIG. 5 is a top plan view thereof;
FIG. 6 is a bottom view thereof;
FIG. 7 is a perspective view thereof.
FIG. 8 is a front view of a hinge showing a second embodiment of my new design;
FIG. 9 is a rear view thereof;
FIG. 10 is a left side view thereof;
FIG. 11 is a right side view thereof;
FIG. 12 is a top plan view thereof;
FIG. 13 is a bottom view thereof; and,
FIG. 14 is a perspective view thereof.

(56) **References Cited**

U.S. PATENT DOCUMENTS

D371,950 S * 7/1996 Ressegger D8/323
D395,590 S * 6/1998 Finkelstein D8/323
D556,011 S * 11/2007 Bladen D8/323
D565,386 S * 4/2008 Bladen D8/323
D614,474 S * 4/2010 Edwards D23/311
D637,060 S * 5/2011 Mitchell D8/323
D645,725 S * 9/2011 Katz D8/323
D658,031 S * 4/2012 Mitchell D8/323
D661,173 S * 6/2012 Caffin D8/323
D673,024 S * 12/2012 Caffin D8/323

1 Claim, 14 Drawing Sheets



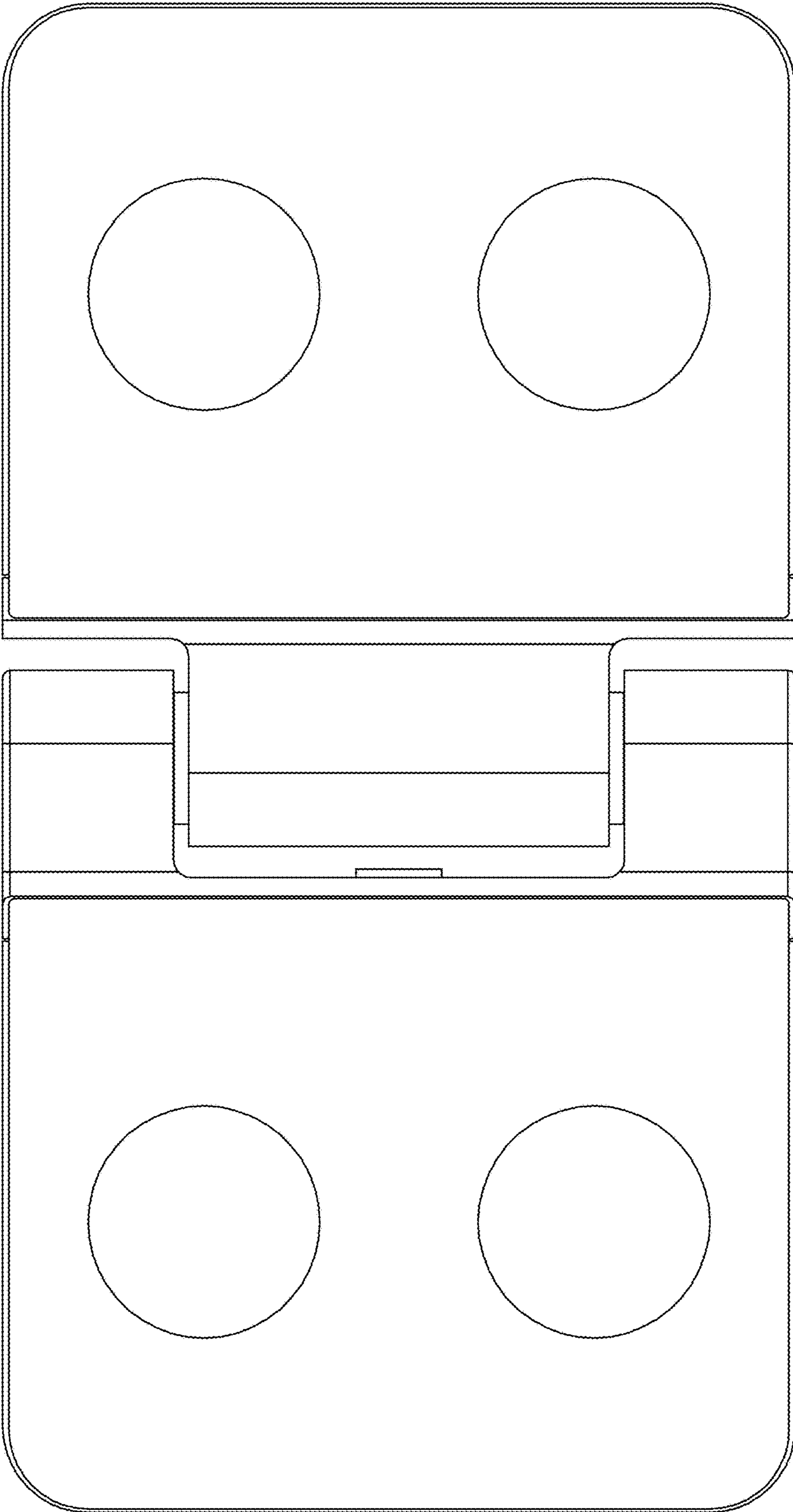


FIG. 1

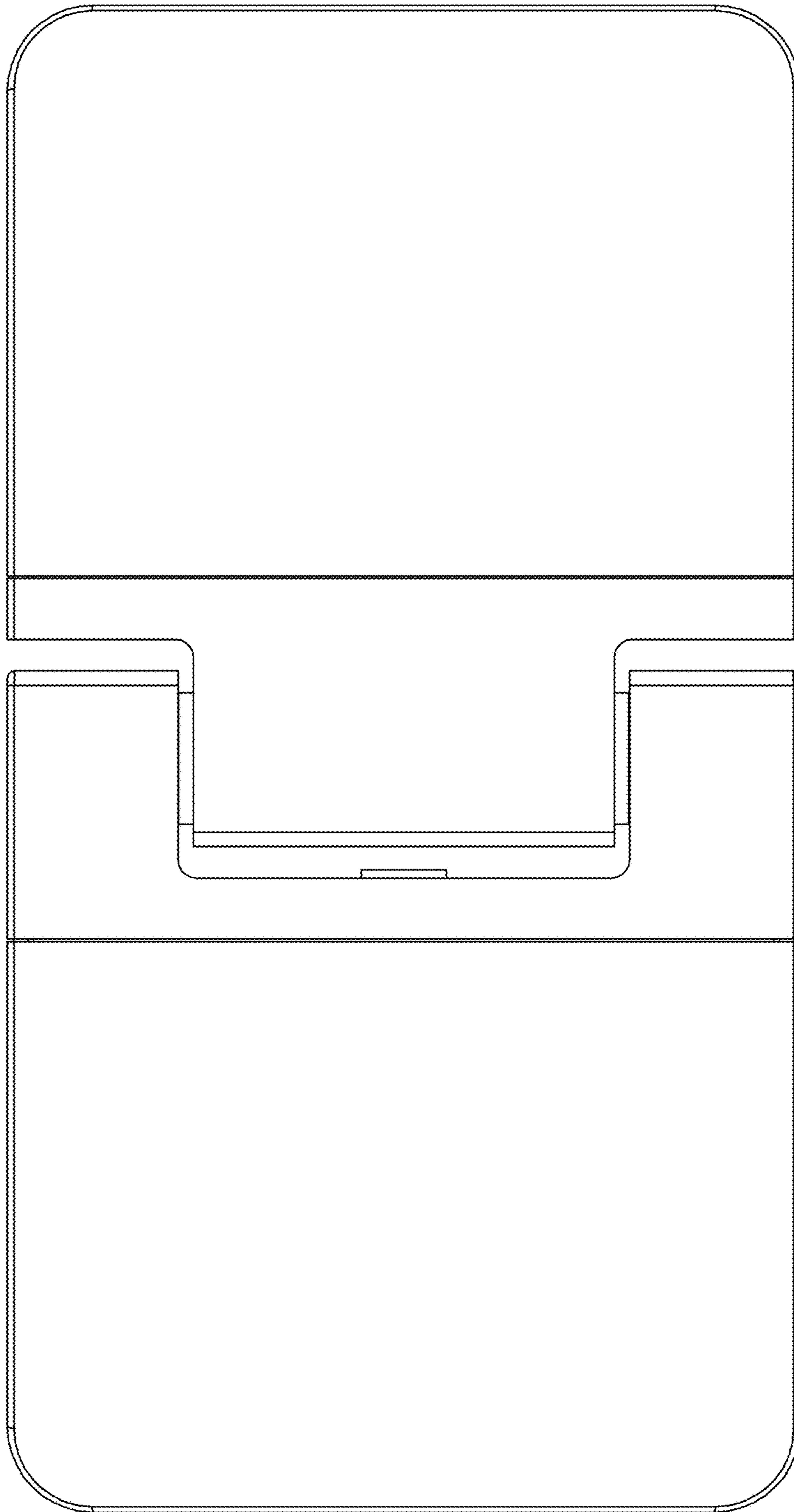


FIG. 2

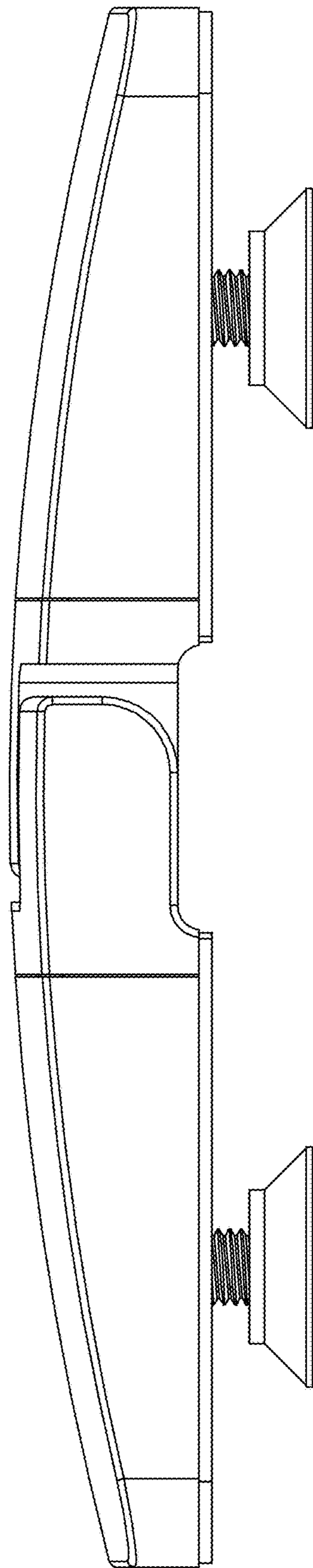


FIG. 3

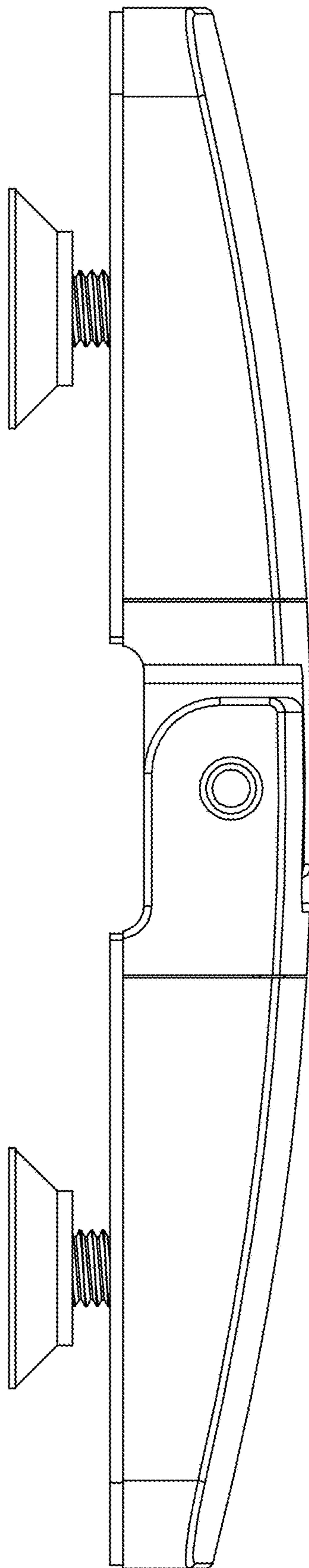


FIG. 4

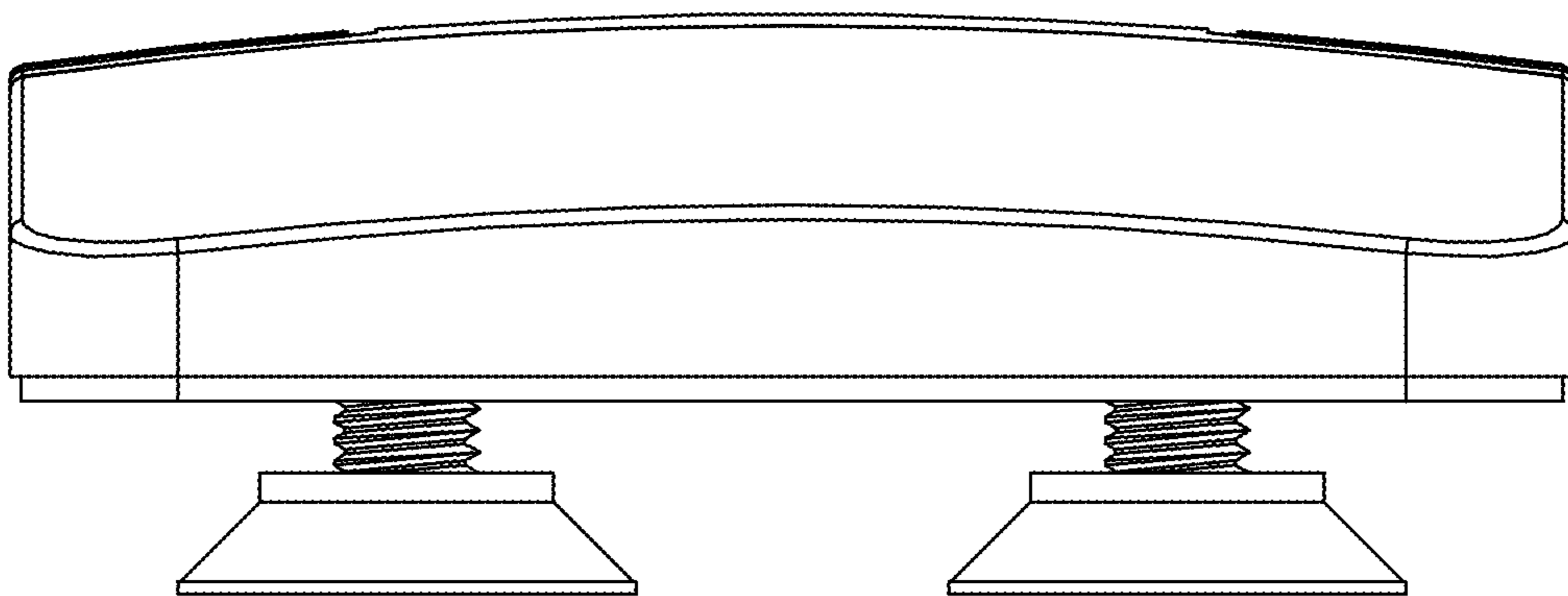


FIG. 5

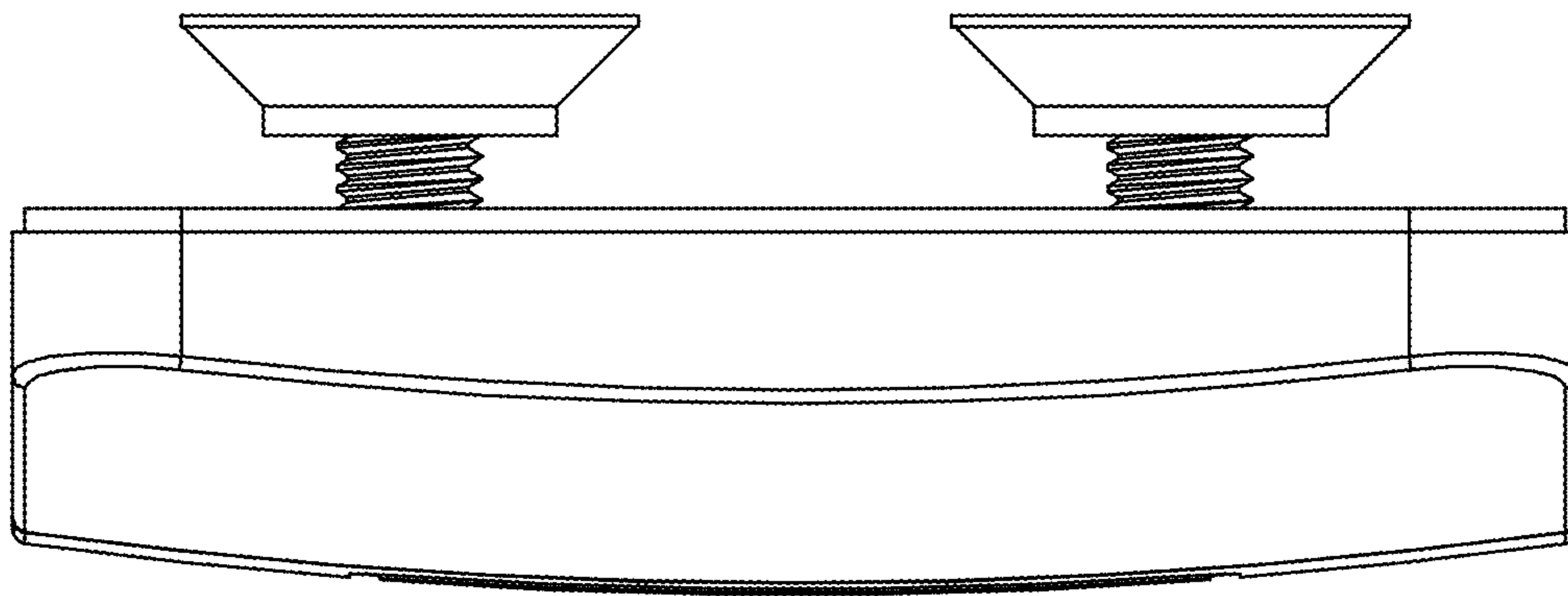


FIG. 6

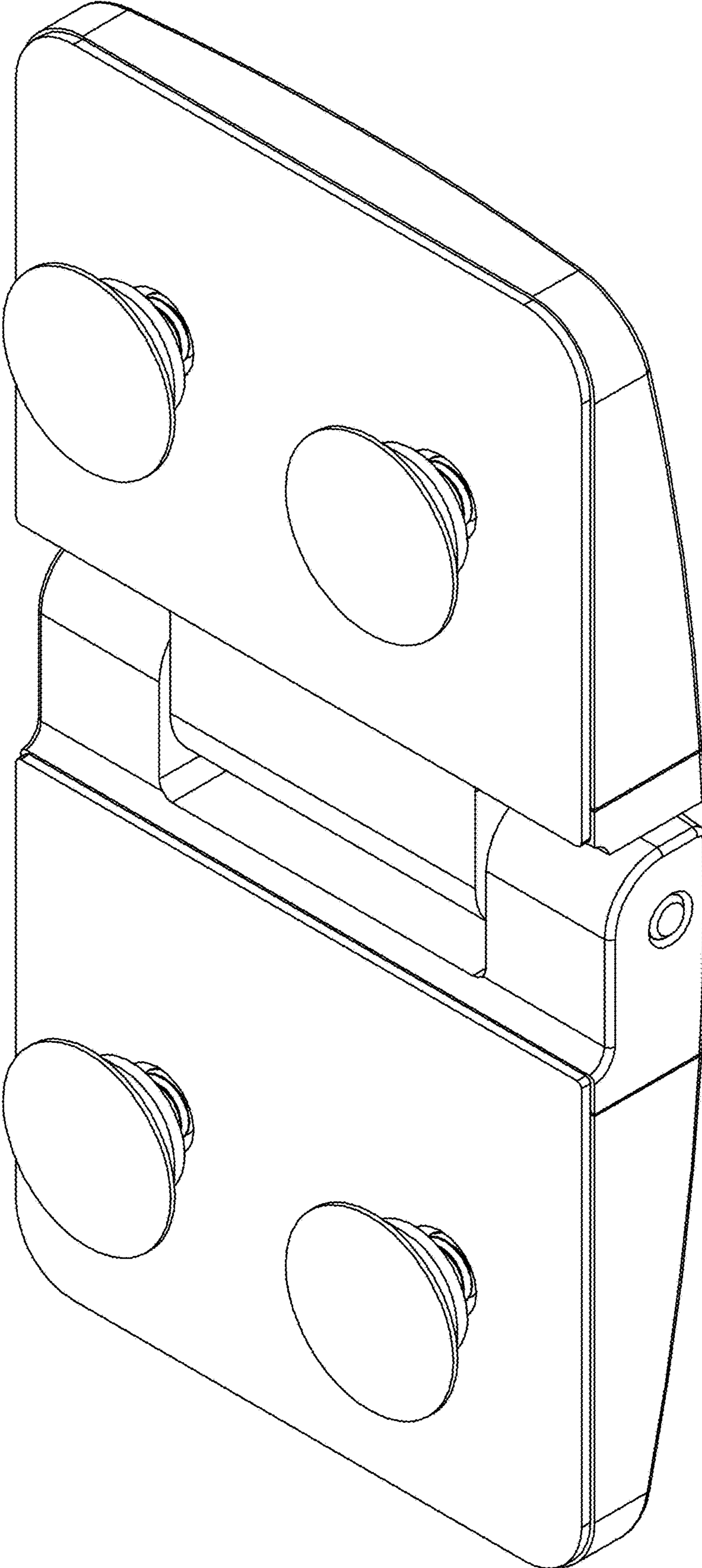


FIG. 7

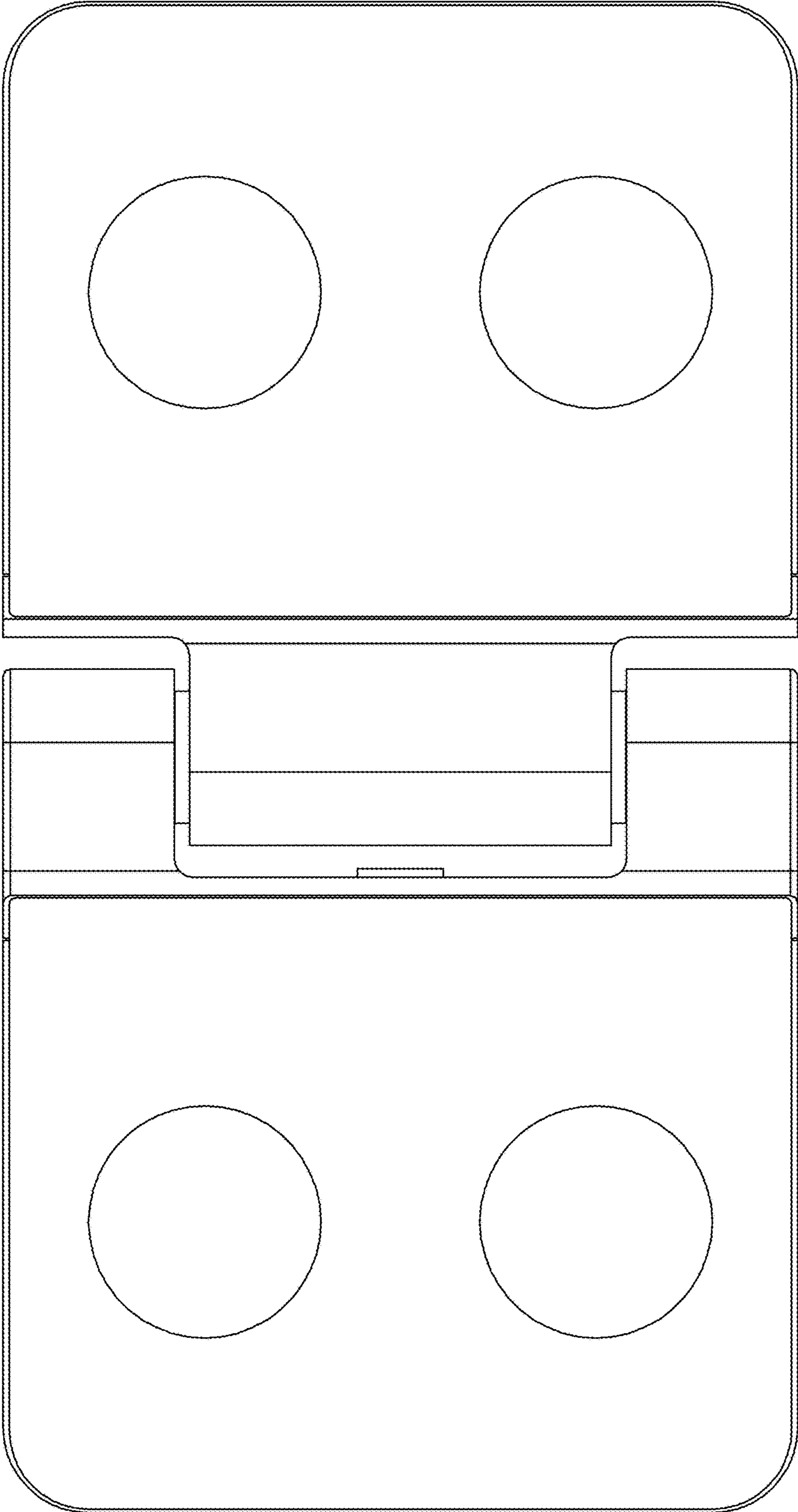


FIG. 8

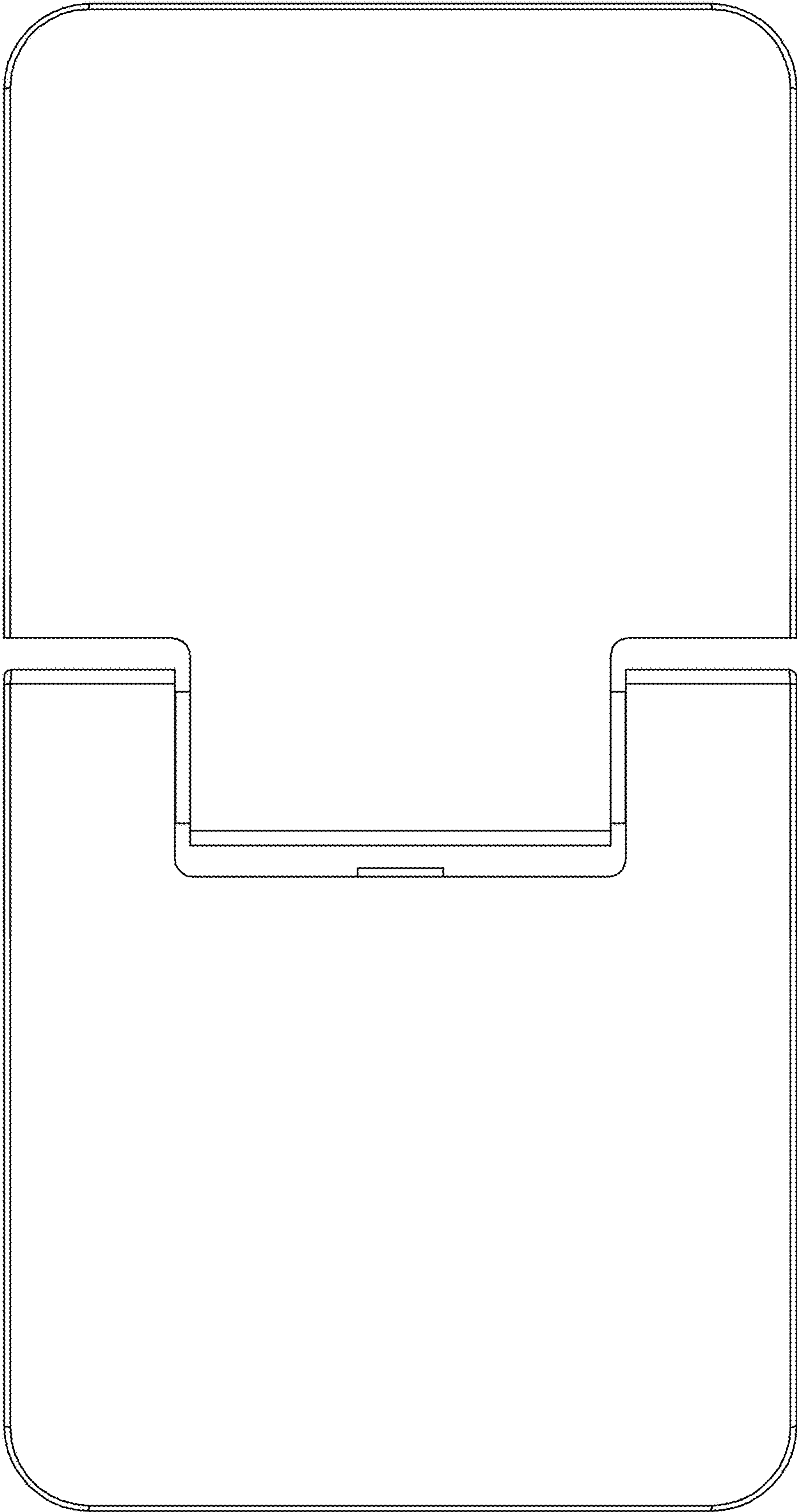


FIG. 9

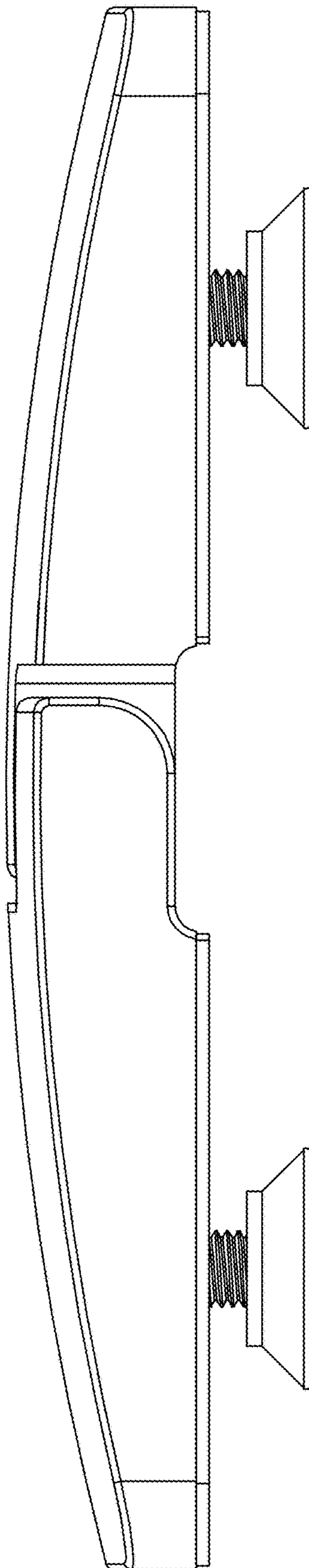


FIG. 10

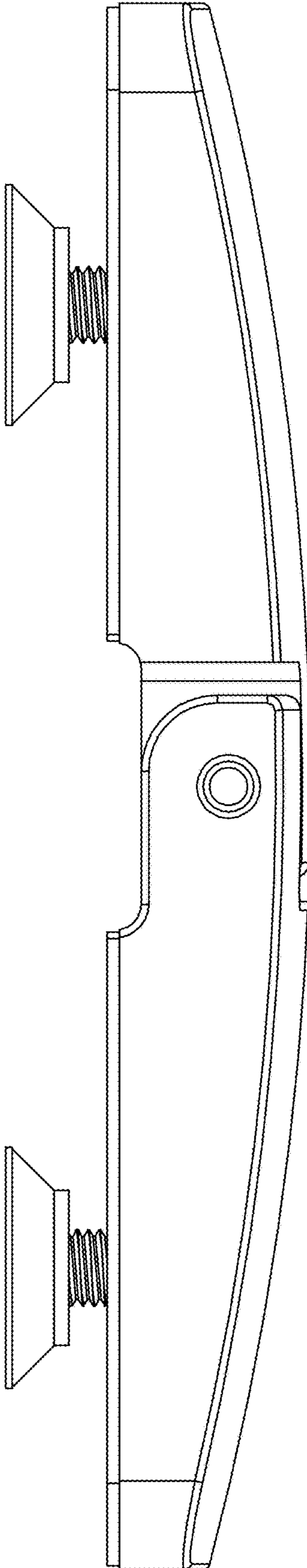


FIG. 11

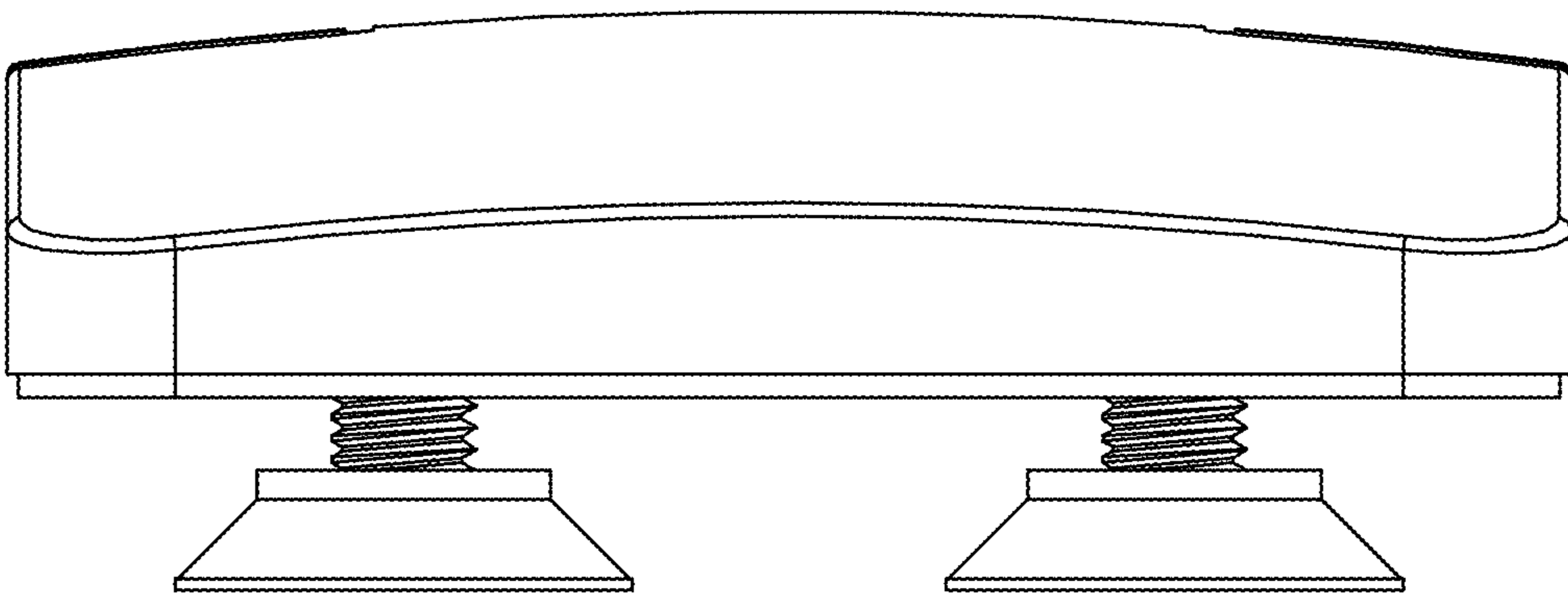


FIG. 12

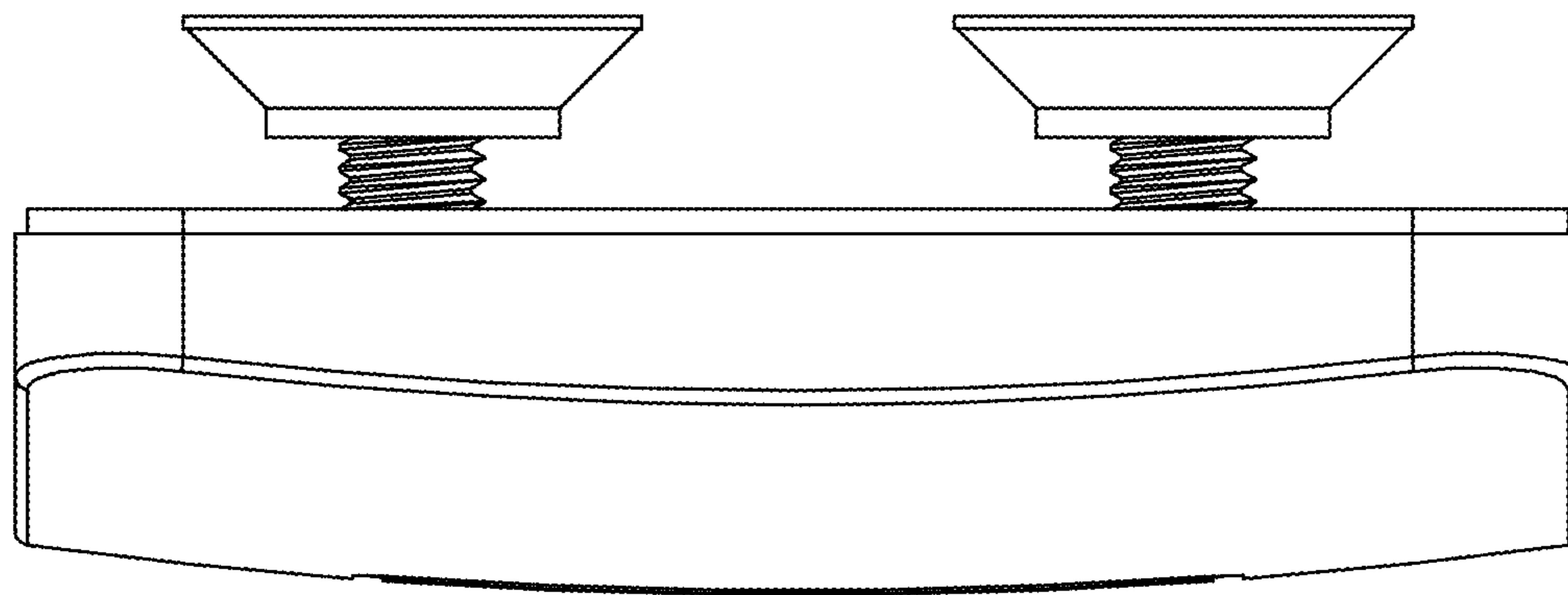


FIG. 13

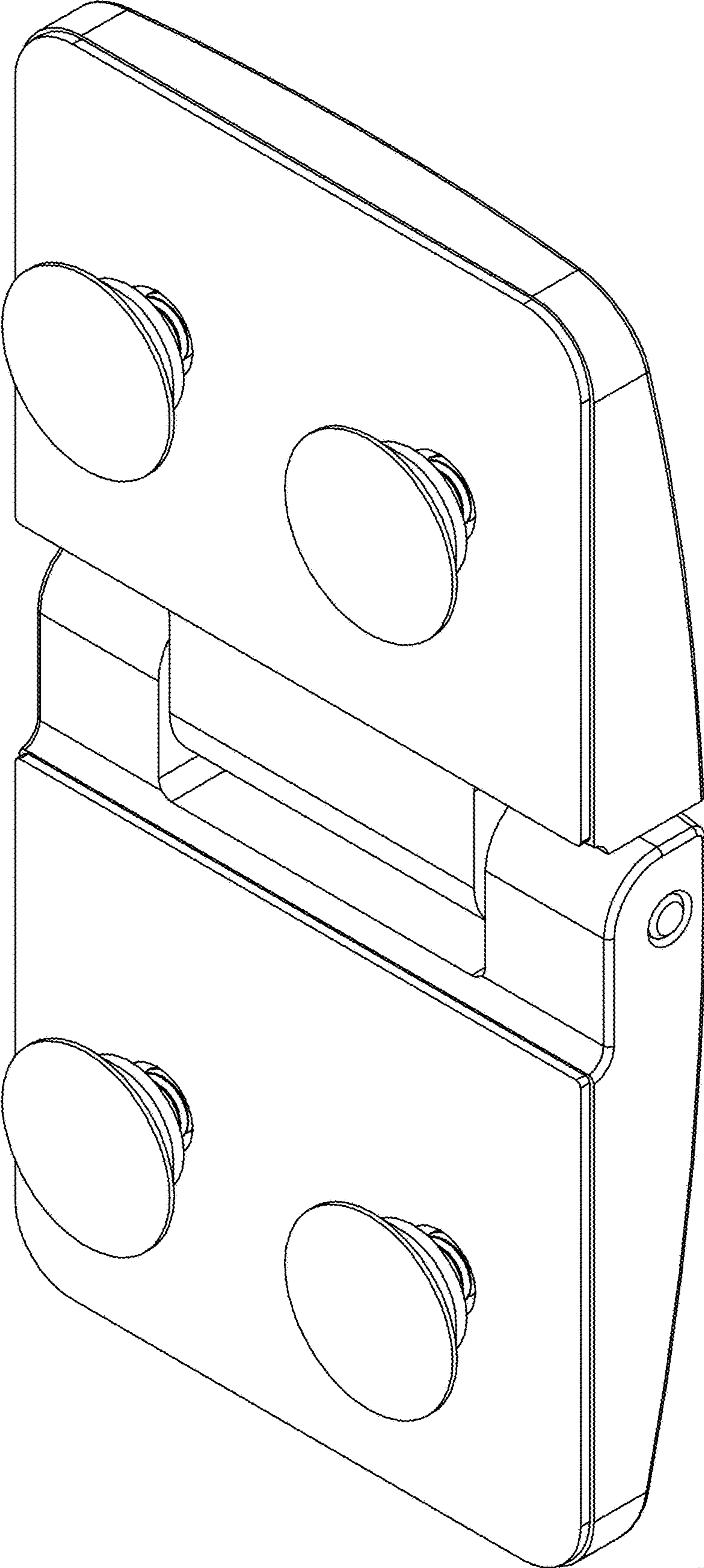


FIG. 14