



US00D826686S

(12) **United States Design Patent**
Kim et al.

(10) **Patent No.:** **US D826,686 S**

(45) **Date of Patent:** **** Aug. 28, 2018**

(54) **HANDLE FOR HOME APPLIANCE**

(71) Applicant: **Samsung Electronics Co., Ltd.**,
Suwon-si (KR)

(72) Inventors: **Jaejun Kim**, Seoul (KR); **Hyeongju Seo**, Seoul (KR); **Jongsu Jeon**,
Seongnam-si (KR); **Hwanwoong Choi**,
Seoul (KR)

(73) Assignee: **SAMSUNG ELECTRONICS CO., LTD.**, Gyeonggi-Do (KR)

(**) Term: **15 Years**

(21) Appl. No.: **29/607,272**

(22) Filed: **Jun. 12, 2017**

(30) **Foreign Application Priority Data**

Dec. 27, 2016 (KR) 30-2016-0063685

(51) **LOC (11) Cl.** **08-06**

(52) **U.S. Cl.**
USPC **D8/315**

(58) **Field of Classification Search**
USPC D32/1, 2, 3, 25, 28; D8/301, 306, 319,
D8/317, 320, 338, 352, 353, DIG. 1
See application file for complete search history.

(56) **References Cited**

U.S. PATENT DOCUMENTS

D181,671 S * 12/1957 Petkwitz D8/319
4,732,430 A * 3/1988 Byrns A47B 88/95
312/330.1
4,922,576 A * 5/1990 Weidner E05B 1/0015
16/413

D329,653 S 9/1992 Coats
D440,238 S 4/2001 Alvring et al.
D588,172 S * 3/2009 Yang D15/89
D604,141 S * 11/2009 Reed D8/313
D706,502 S * 6/2014 Eng D32/3
D718,574 S * 12/2014 Nordwall D7/402
D743,642 S * 11/2015 Lee D32/3
D757,129 S * 5/2016 Ogg D15/89
D764,833 S * 8/2016 Citterio D6/549
D790,947 S * 7/2017 Key D8/315

FOREIGN PATENT DOCUMENTS

KR 300573220 S 9/2010

* cited by examiner

Primary Examiner — Lakiya G Rogers

Assistant Examiner — Harold E Blackwell, II

(74) *Attorney, Agent, or Firm* — Cantor Colburn LLP

(57) **CLAIM**

The ornamental design for a handle for home appliance, as shown and described.

DESCRIPTION

FIG. 1 is a front perspective view of a handle for a home appliance showing our new design;
FIG. 2 is a front view thereof;
FIG. 3 is a rear view thereof;
FIG. 4 is a left-side view thereof;
FIG. 5 is a right-side view thereof;
FIG. 6 is a top view thereof;
FIG. 7 is a bottom view thereof; and,
FIG. 8 is the rear perspective view thereof.

The broken lines illustrating portions of the handle for a home appliance form no part of the claimed design.

1 Claim, 5 Drawing Sheets

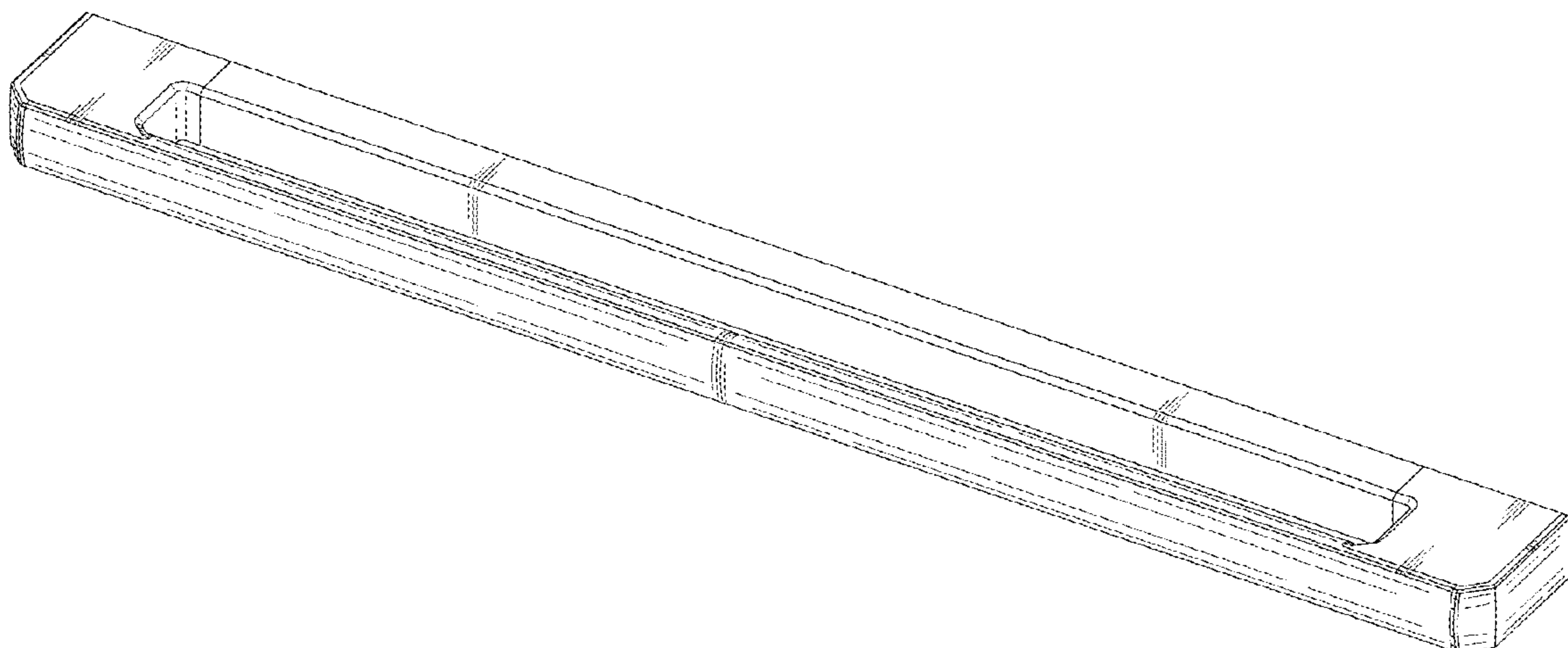


FIG. 1

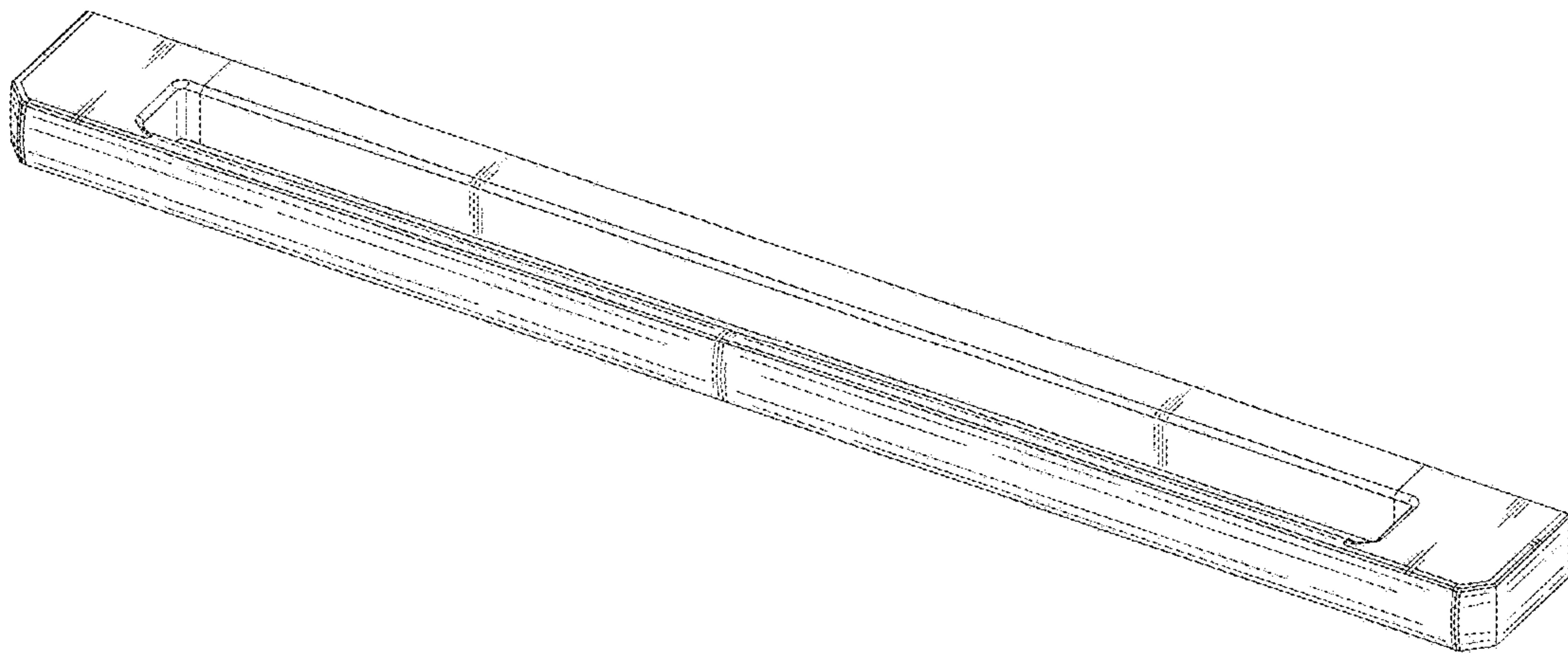


FIG. 2

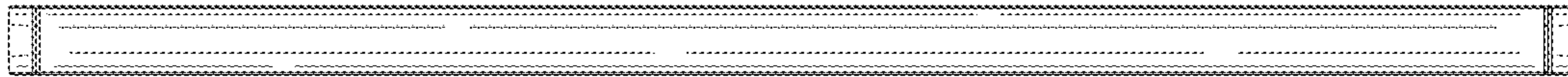


FIG. 3

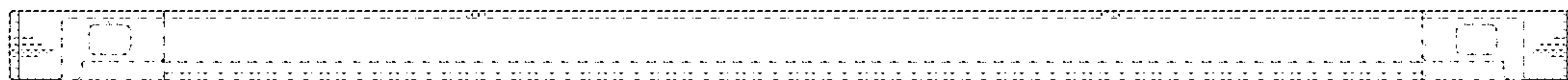


FIG. 4

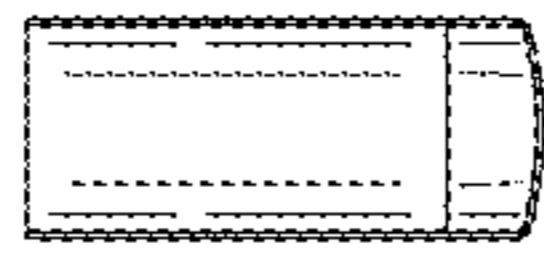


FIG. 5



FIG. 6

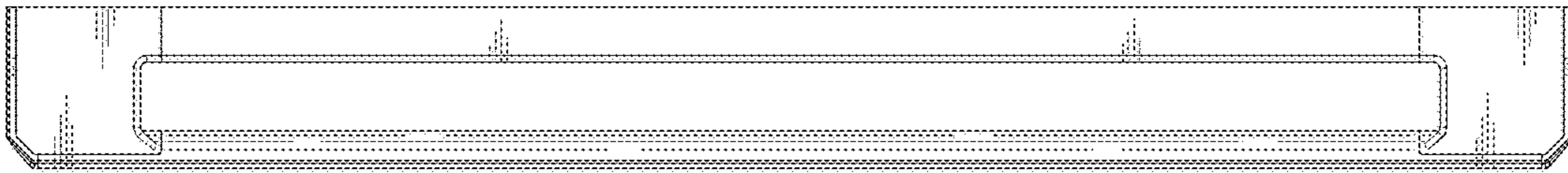


FIG. 7

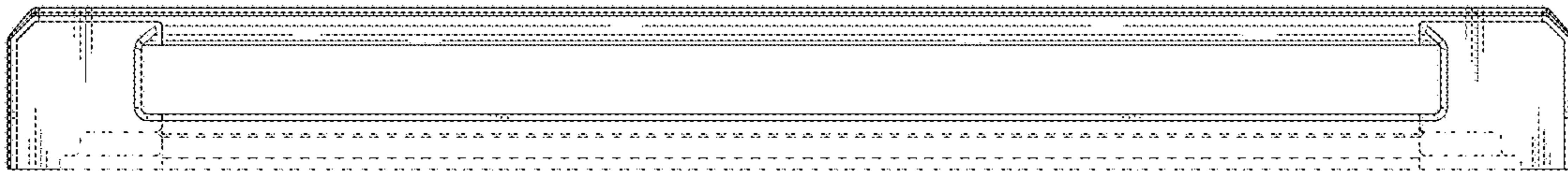


FIG. 8

