



US00D826685S

(12) **United States Design Patent** (10) **Patent No.:** **US D826,685 S**
Altemimei (45) **Date of Patent:** **** Aug. 28, 2018**

(54) **HANDLE**
(71) Applicant: **DA International, Inc.**, Orland Park, IL (US)
(72) Inventor: **Raad Altemimei**, Orland Park, IL (US)
(73) Assignee: **DA International, Inc.**, Orland Park, IL (US)
(**) Term: **15 Years**
(21) Appl. No.: **29/594,237**
(22) Filed: **Feb. 16, 2017**
(51) **LOC (11) Cl.** **08-06**
(52) **U.S. Cl.**
USPC **D8/313; D8/321**
(58) **Field of Classification Search**
USPC D8/300, 305, 307, 313, 314, 393;
D7/393; D6/546
CPC ... Y10T 292/57; Y10T 292/82; Y10T 16/469;
Y10T 16/44; Y10T 16/506; Y10T 292/85;
Y10T 16/458; Y10T 74/2084; Y10T
16/46; Y10T 16/459; Y10T 74/20732;
Y10T 292/03; Y10T 16/4713; Y10T
16/466; Y10T 292/88; Y10T 29/49599;
Y10T 16/487; Y10T 16/462; Y10T
16/4636; Y10T 74/20864; Y10T 70/5155;
Y10T 16/4559; Y10T 292/0951; Y10T
292/0891; Y10T 292/0934; Y10T
292/0968; E05B 1/0007; E05B 1/0015;
E05B 79/06; E05B 85/10; E05B 1/0053;
E05B 55/005; E05B 1/00; E05B 85/107;
E05B 3/00
See application file for complete search history.

(56) **References Cited**
U.S. PATENT DOCUMENTS
D99,046 S 3/1936 Rettich
D139,338 S 11/1944 George

D149,378 S * 4/1948 Rummelsburg D8/314
D160,571 S 10/1950 Belanger
D173,938 S * 2/1955 Dailey D8/314
D194,782 S 3/1963 Watt, Jr.
D199,051 S * 9/1964 Rockford D8/314
3,159,416 A 12/1964 Schlage
D201,987 S 8/1965 Webster
D240,547 S 7/1976 Stanley et al.
D386,383 S * 11/1997 Lougee D8/310
D393,162 S 4/1998 Bargagli-Stoffi
D441,576 S 5/2001 Foster
D455,640 S 4/2002 Hansen
6,532,778 B2 * 3/2003 Molzer E05B 1/0092
292/104
D492,502 S 7/2004 Domack
D497,098 S 10/2004 Magnusson
D521,768 S 5/2006 Black
D527,926 S 9/2006 Domack et al.
D554,388 S 11/2007 Leigh

(Continued)

Primary Examiner — Lauren R Calve
(74) *Attorney, Agent, or Firm* — Greensfelder, Hemker & Gale, P.C.

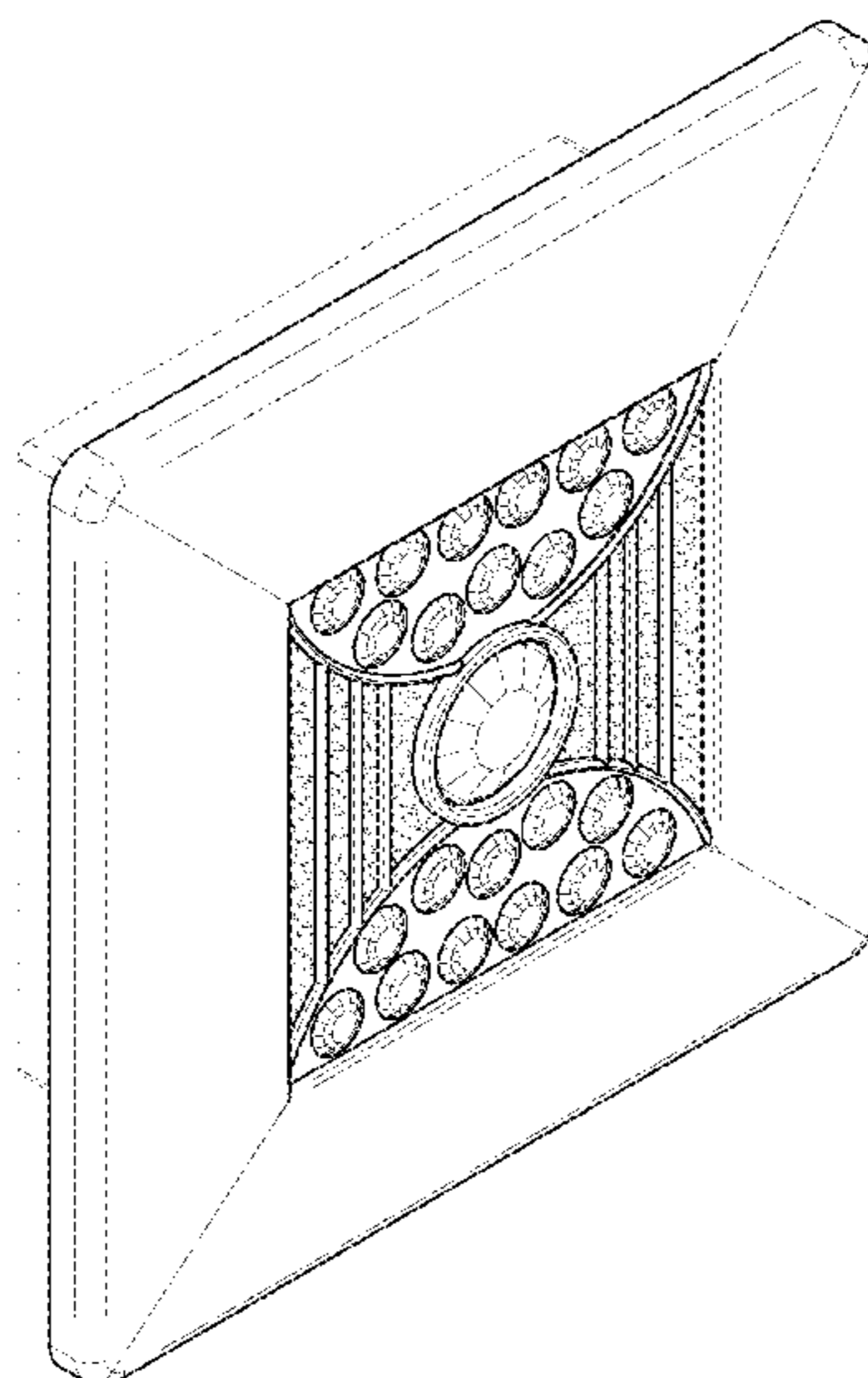
(57) **CLAIM**

I claim the ornamental design for a handle, as shown and described.

DESCRIPTION

FIG. 1 is a perspective view of a handle in accordance with the present invention;
FIG. 2 is a top plan view of the handle of FIG. 1;
FIG. 3 is a first side elevation view of the handle of FIG. 1;
FIG. 4 is a front elevation view of the handle of FIG. 1;
FIG. 5 is a bottom plan view of the handle of FIG. 1;
FIG. 6 is a second side elevation view of the handle of FIG. 1; and,
FIG. 7 is a rear elevation view of the handle of FIG. 1.
The broken lines shown represent unclaimed subject matter and form no part of the claimed design.

1 Claim, 3 Drawing Sheets



(56)

References Cited

U.S. PATENT DOCUMENTS

D567,061 S	*	4/2008	Paige	D8/300
D578,373 S	*	10/2008	Paige	D8/300
D581,767 S	*	12/2008	Thompson	D8/313
D586,162 S		2/2009	Schmitt	
D625,165 S		10/2010	King	
D631,272 S		1/2011	O'Brien et al.	
D632,112 S		2/2011	Sakuma	
D674,630 S		1/2013	Schmitt	
D675,848 S		2/2013	Roser, Jr.	
D691,019 S		10/2013	Sakuma	
D702,473 S		4/2014	Litt	
D720,981 S		1/2015	Kaishian et al.	
D734,052 S		7/2015	Glattstein et al.	
D734,053 S		7/2015	Glattstein et al.	
D771,428 S		11/2016	Schmitt	
D772,631 S		11/2016	Schmitt	
2009/0079311 A1		3/2009	Lai	

* cited by examiner

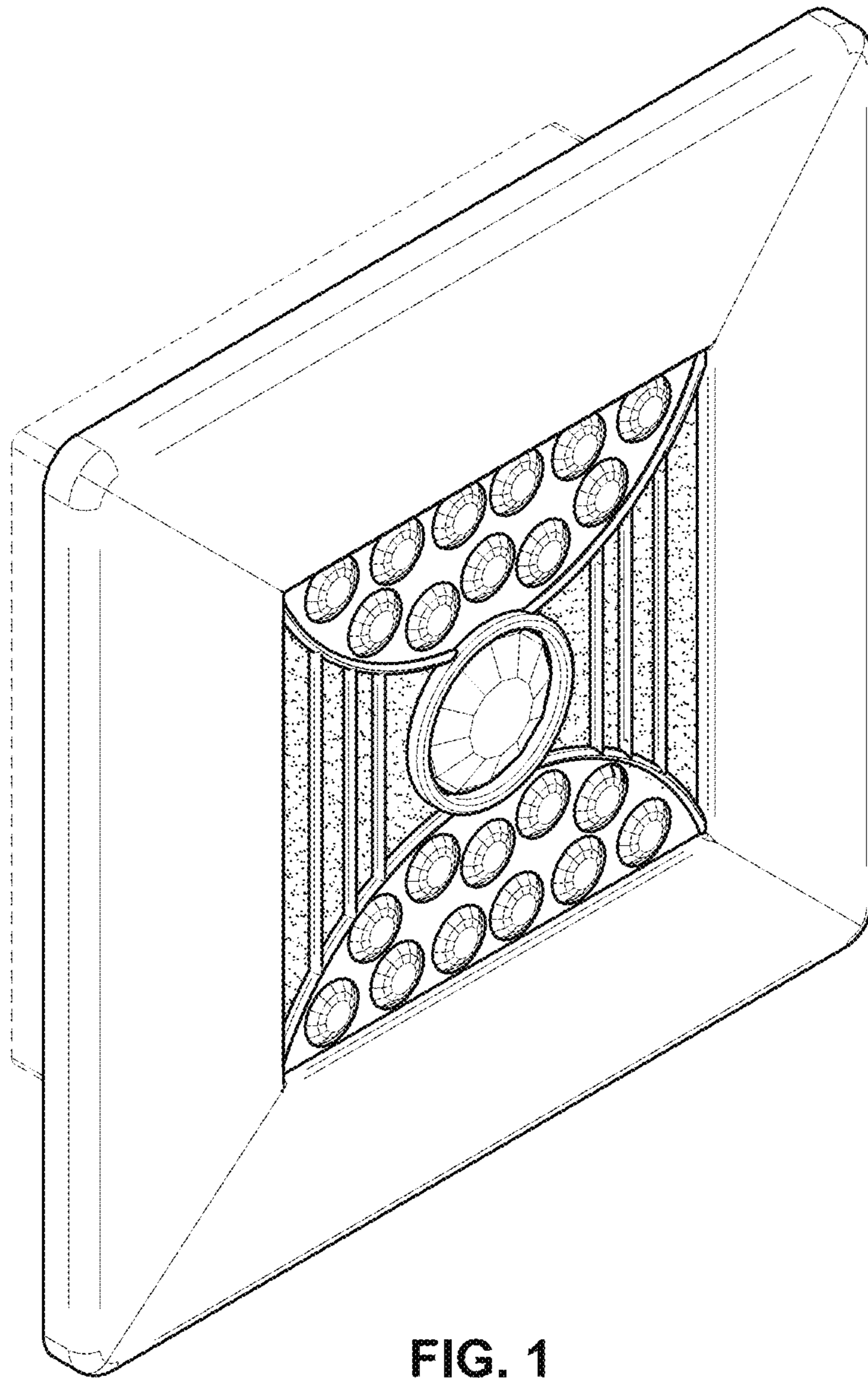


FIG. 1

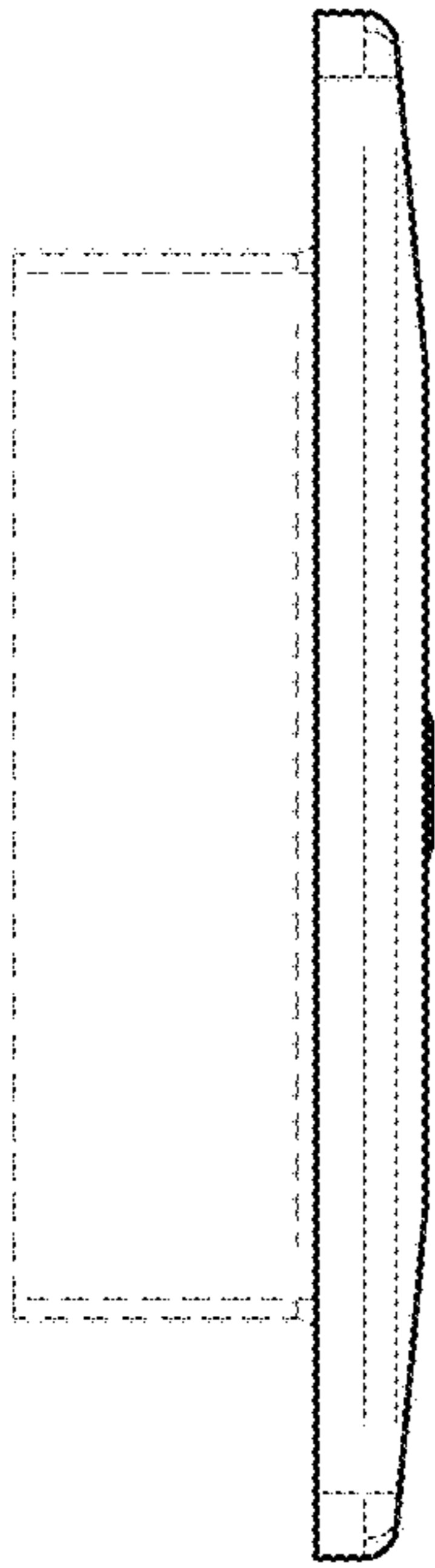


FIG. 2

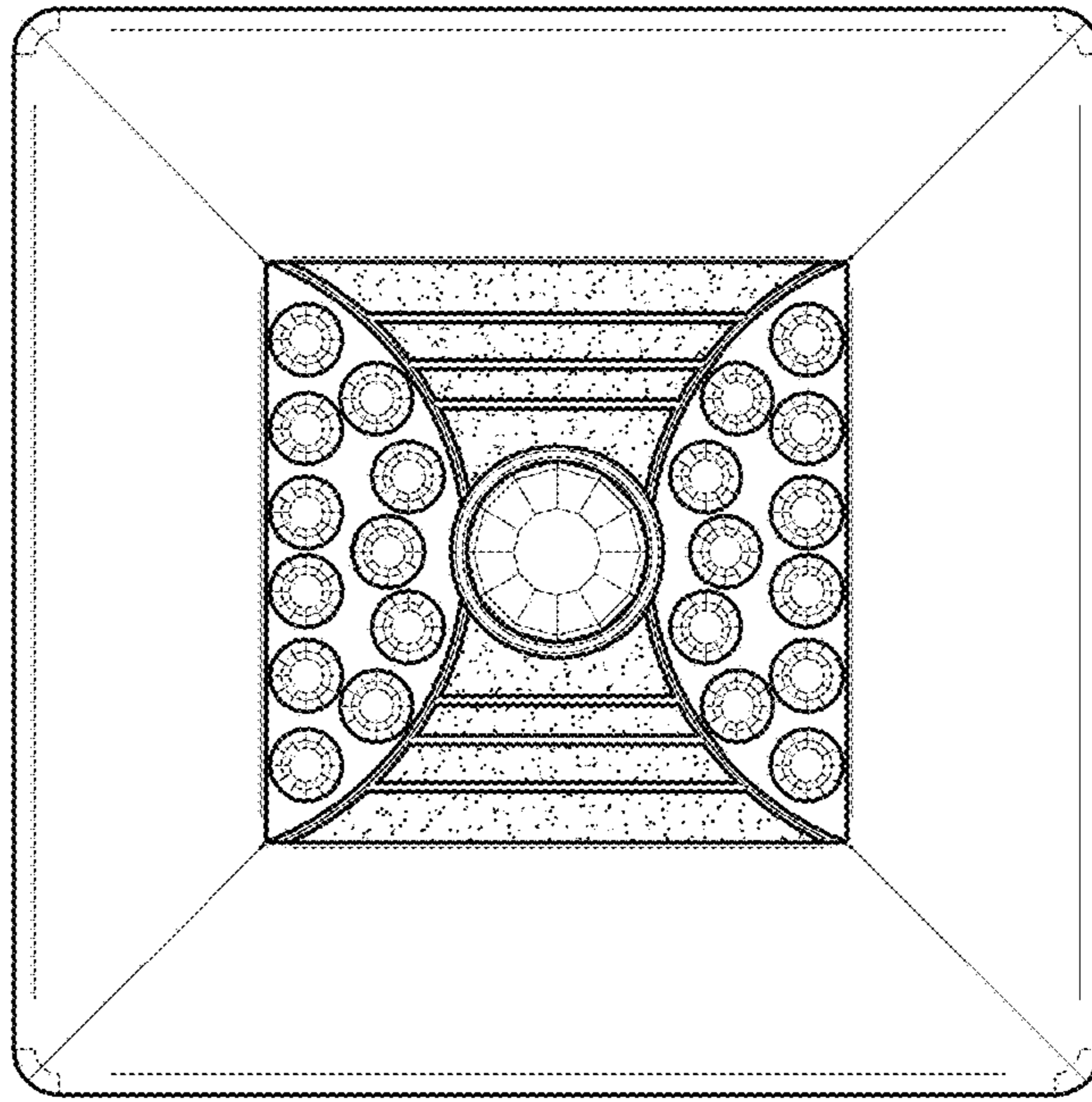


FIG. 4

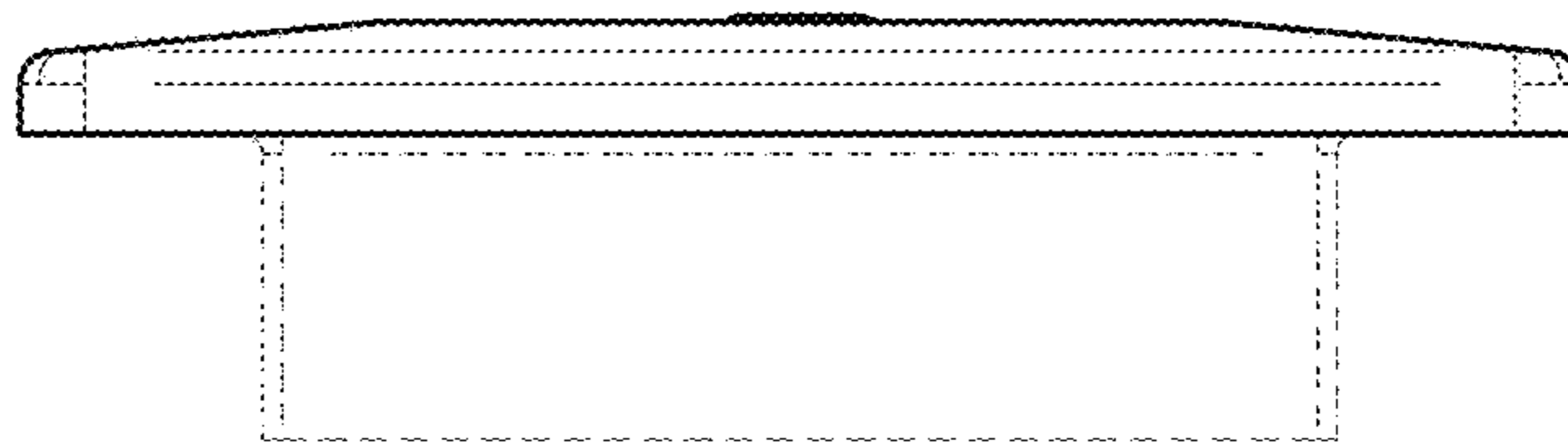


FIG. 3

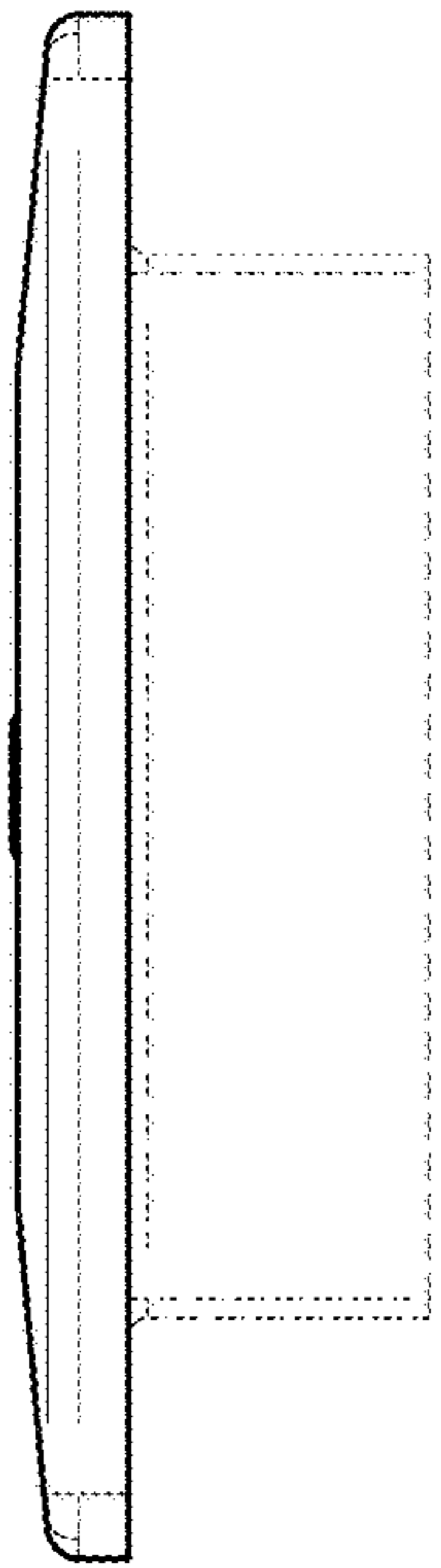


FIG. 5

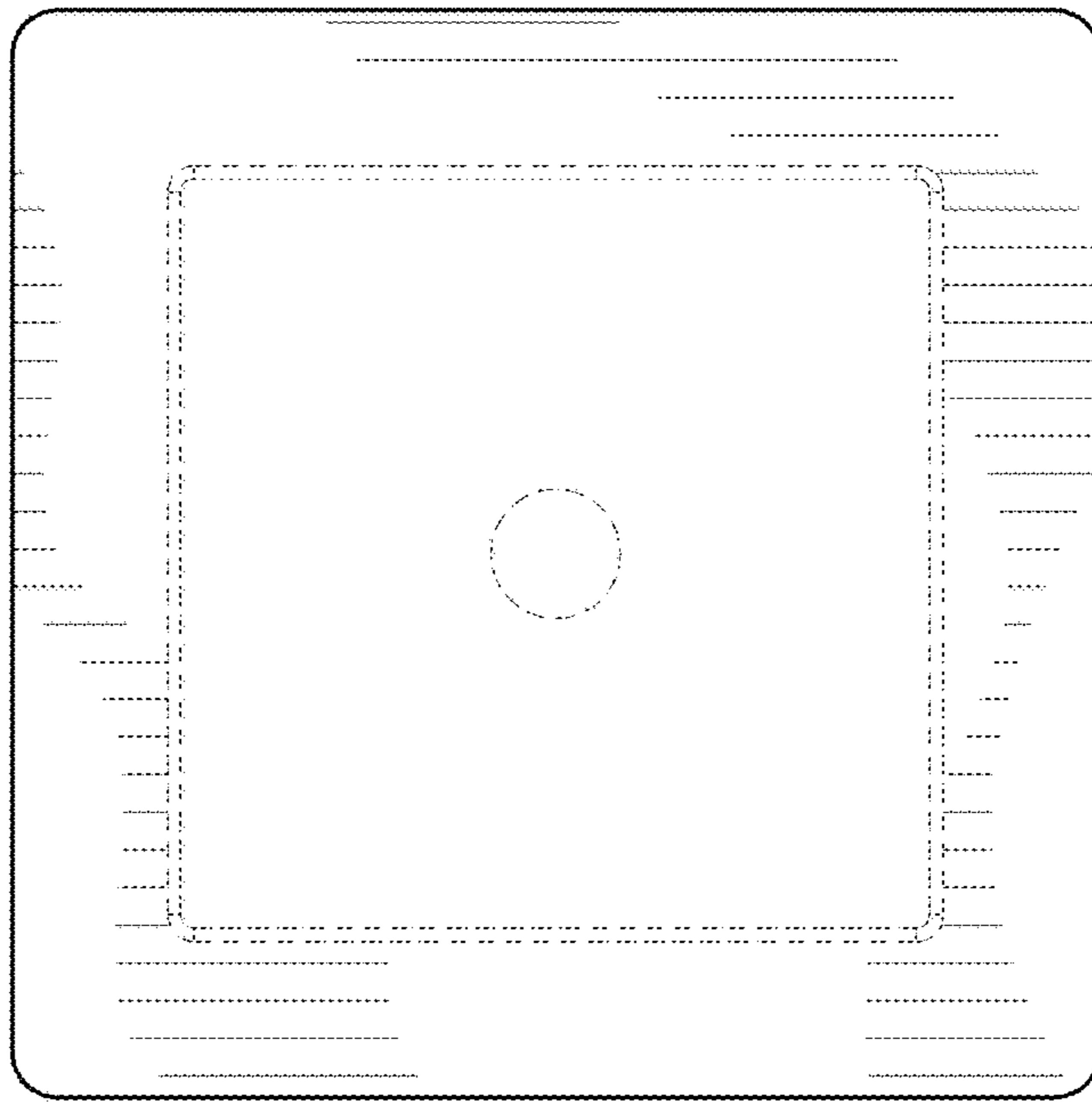


FIG. 7

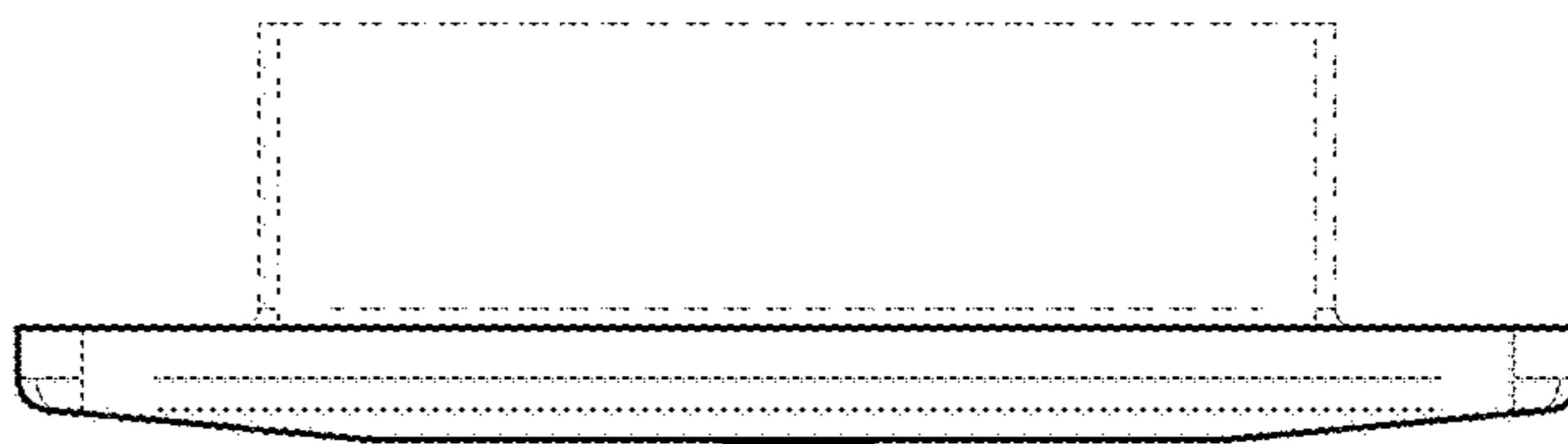


FIG. 6