



US00D826684S

(12) **United States Design Patent**
Tseng

(10) **Patent No.:** **US D826,684 S**

(45) **Date of Patent:** **** Aug. 28, 2018**

(54) **DOOR HANDLE**

(71) Applicant: **TAIWAN FU HSING INDUSTRIAL CO., LTD.**, Kaohsiung (TW)

(72) Inventor: **Pin-Jung Tseng**, Tainan (TW)

(73) Assignee: **Taiwan Fu Hsing Industrial Co., Ltd.**, Kaohsiung (TW)

(**) Term: **15 Years**

(21) Appl. No.: **29/610,090**

(22) Filed: **Jul. 10, 2017**

(30) **Foreign Application Priority Data**

Jun. 9, 2017 (TW) 106303152

(51) **LOC (11) Cl.** **08-06**

(52) **U.S. Cl.**
USPC **D8/310**

(58) **Field of Classification Search**
USPC D8/300, 307, 310; D7/393; D23/250, D23/252, 254
CPC ... Y10T 292/57; Y10T 16/469; Y10T 292/82; Y10T 74/2084; Y10T 292/85; Y10T 16/458; Y10T 16/506; Y10T 70/5155; Y10T 16/46; Y10T 16/4559; Y10T 74/20828; Y10T 70/8541; Y10T 74/20612; Y10T 16/459; Y10T 16/487; Y10T 70/5389; Y10T 16/462; Y10T 16/4636; E05B 1/0007; E05B 3/00; Y10S 16/30; Y10S 292/53; Y10S 292/27
See application file for complete search history.

(56) **References Cited**

U.S. PATENT DOCUMENTS

D48,362 S * 1/1916 Bosworth D8/310
1,536,684 A * 5/1925 Morgan C22C 38/04
16/414

2,216,467 A * 10/1940 Falk E05B 1/0007
220/327
D238,241 S * 12/1975 Ziskin et al. D7/393
D280,073 S * 8/1985 Wildgen D8/301
D290,495 S * 6/1987 Ryan D23/250
D326,219 S * 5/1992 Clayton D8/310
D493,686 S * 8/2004 Fields D8/310
D496,894 S * 10/2004 Liao D12/179
D546,658 S * 7/2007 Singtoroj D8/301
D564,332 S * 3/2008 McConnell D8/310
D580,737 S * 11/2008 Singtoroj D8/312
D660,679 S * 5/2012 Han D8/310
D736,589 S * 8/2015 Watson D8/310
D772,686 S * 11/2016 Zimmer D8/310
D772,688 S * 11/2016 Zimmer D8/310
D787,297 S * 5/2017 Zimmer D8/310
D792,188 S * 7/2017 Zimmer D8/310
2004/0078933 A1 * 4/2004 Forrest A47B 95/02
16/417
2006/0174446 A1 * 8/2006 Lautenschlager A47B 95/02
16/417
2009/0193625 A1 * 8/2009 Yu A47B 95/02
16/417

(Continued)

Primary Examiner — Lauren R Calve
(74) *Attorney, Agent, or Firm* — Rosenberg, Klein & Lee

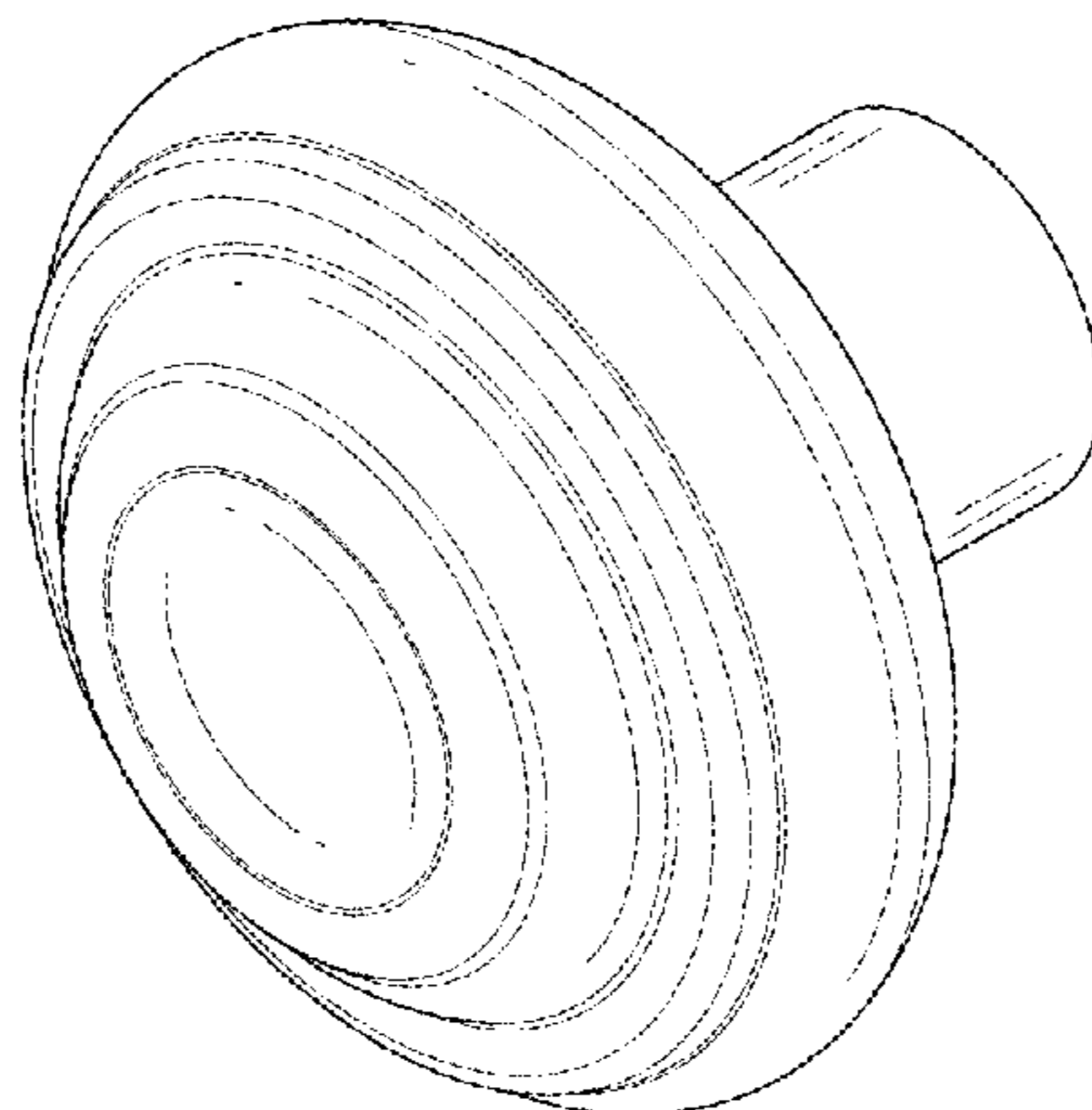
(57) **CLAIM**

The ornamental design for a door handle, as shown and described.

DESCRIPTION

FIG. 1 is a perspective view of a door handle showing my new design;
FIG. 2 is a front elevational view thereof;
FIG. 3 is a rear front elevational view thereof;
FIG. 4 is a left side elevational view thereof;
FIG. 5 is a right side elevational view thereof;
FIG. 6 is a top plan view thereof; and,
FIG. 7 is a bottom plan view thereof.

1 Claim, 7 Drawing Sheets



(56)

References Cited

U.S. PATENT DOCUMENTS

2009/0250948 A1* 10/2009 Forrest E05B 1/0015
292/251.5
2010/0139046 A1* 6/2010 Daniels A47B 95/02
16/414

* cited by examiner

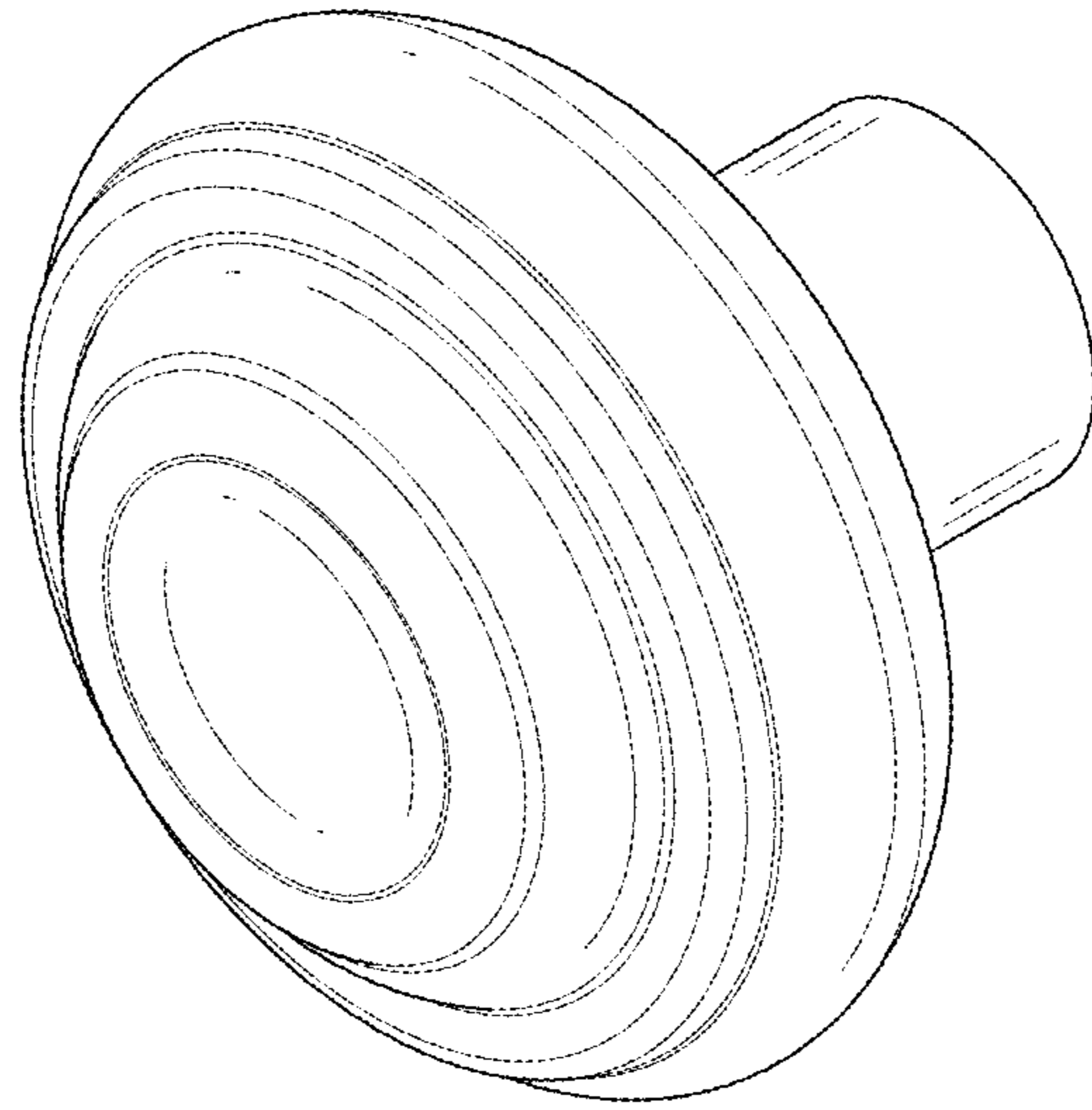


FIG.1

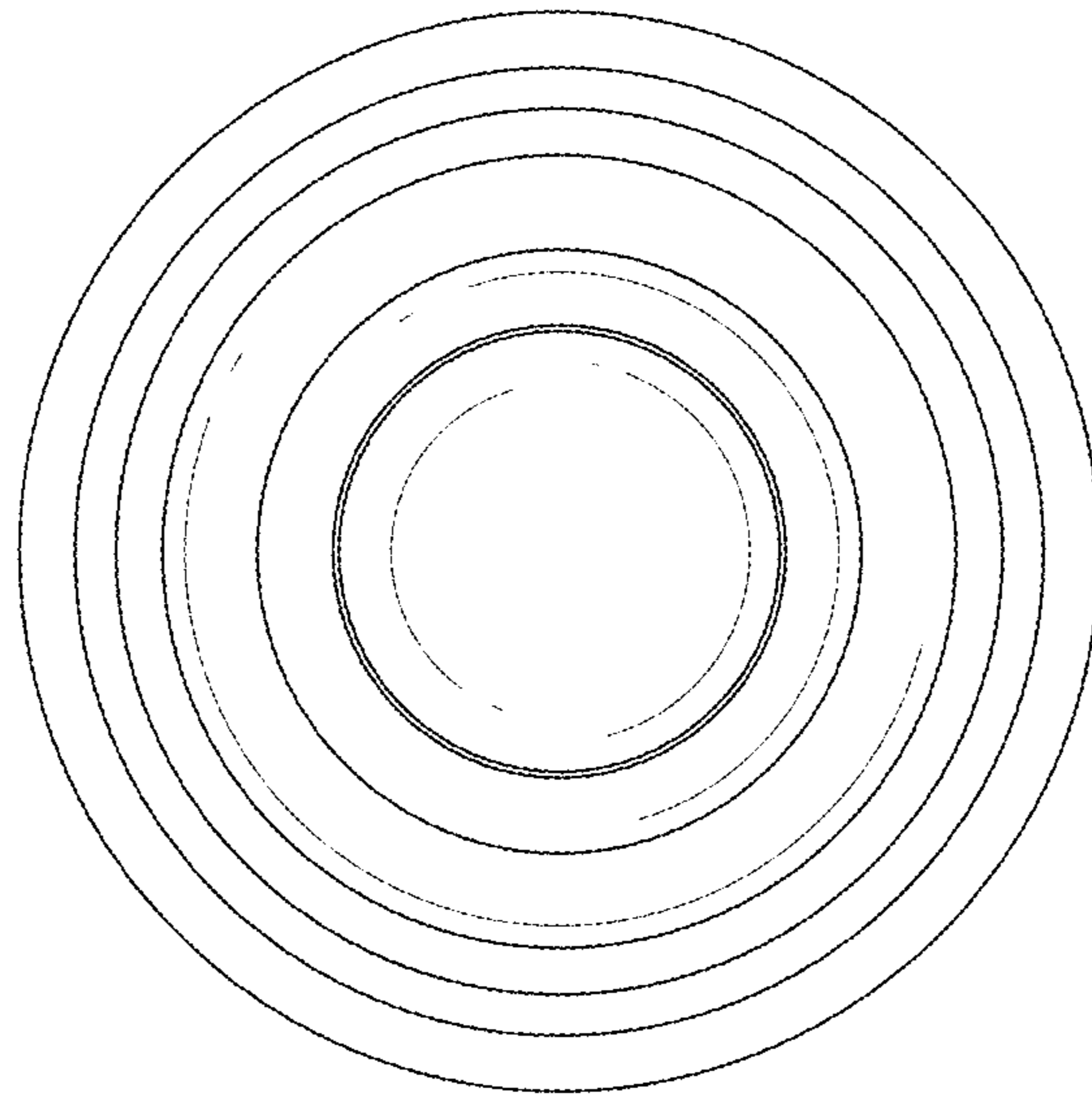


FIG.2

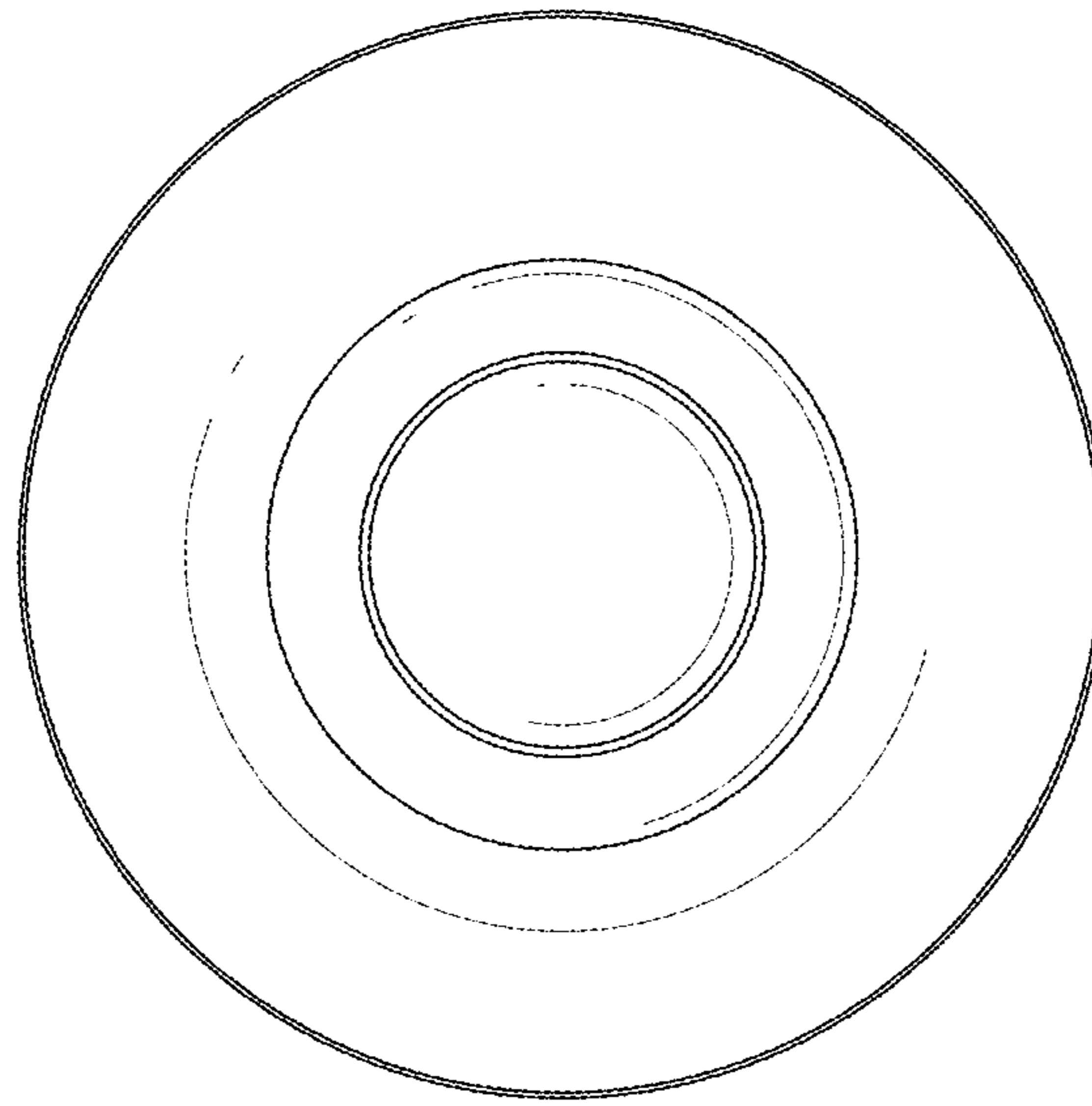


FIG.3

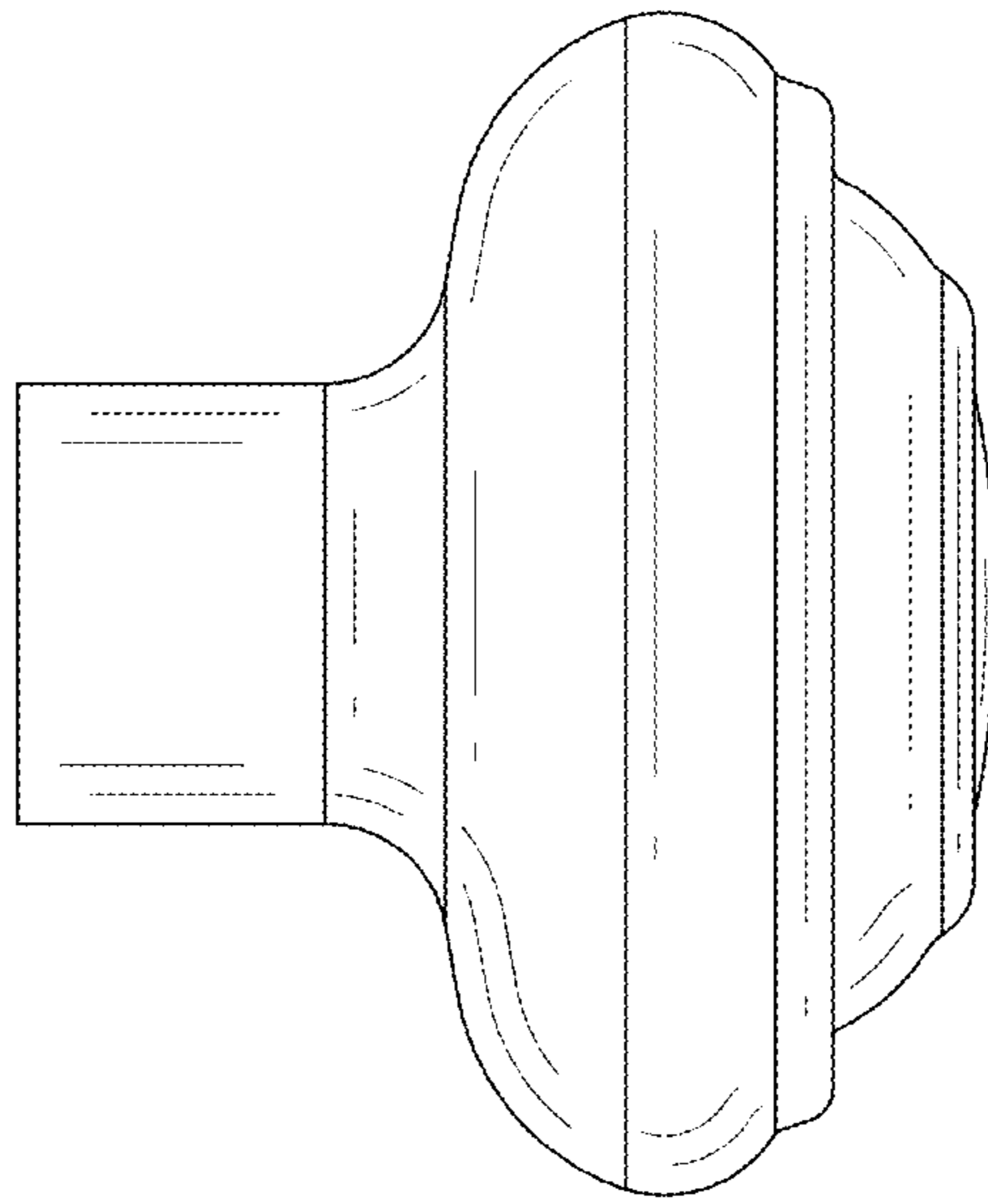


FIG.4

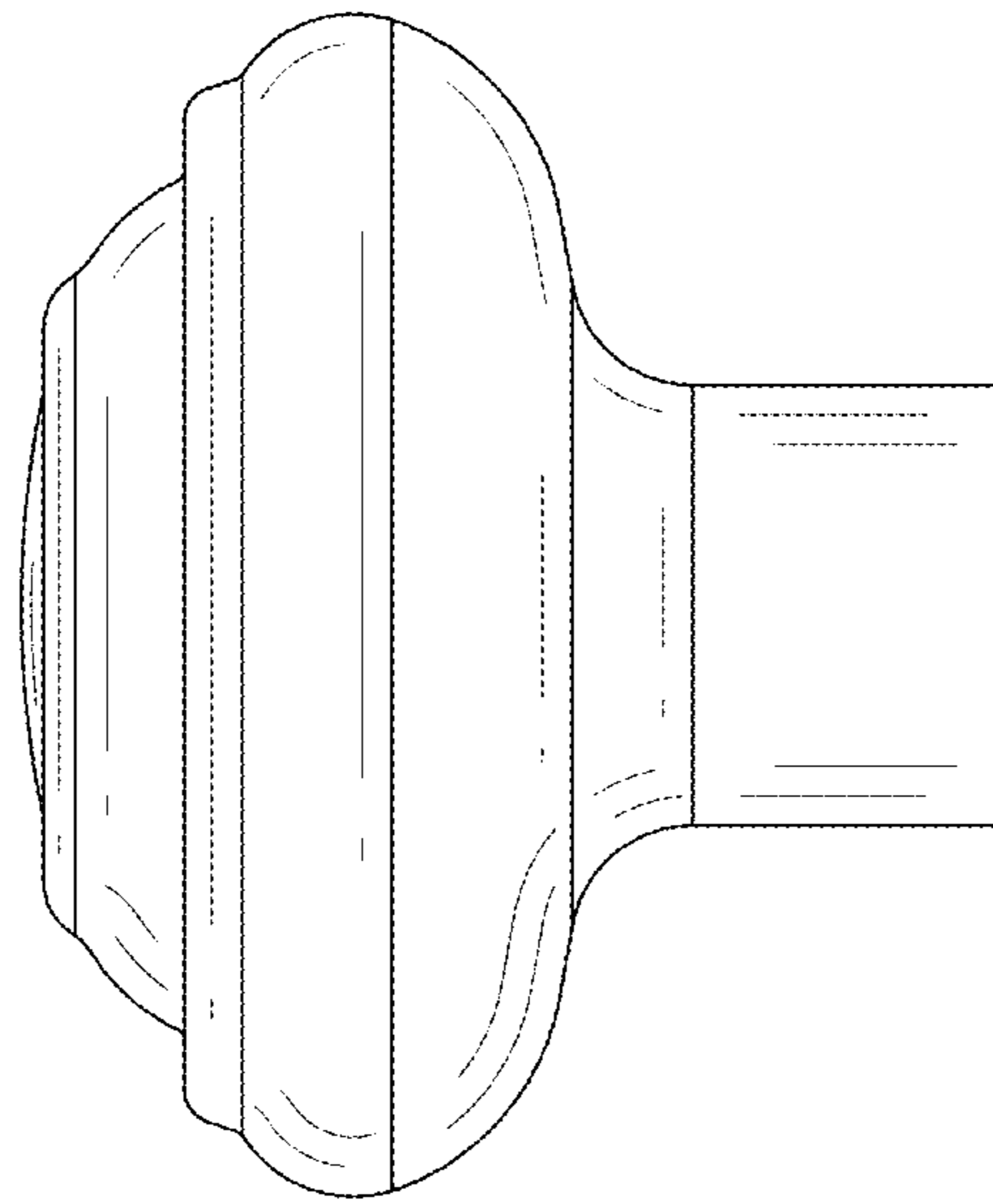


FIG.5

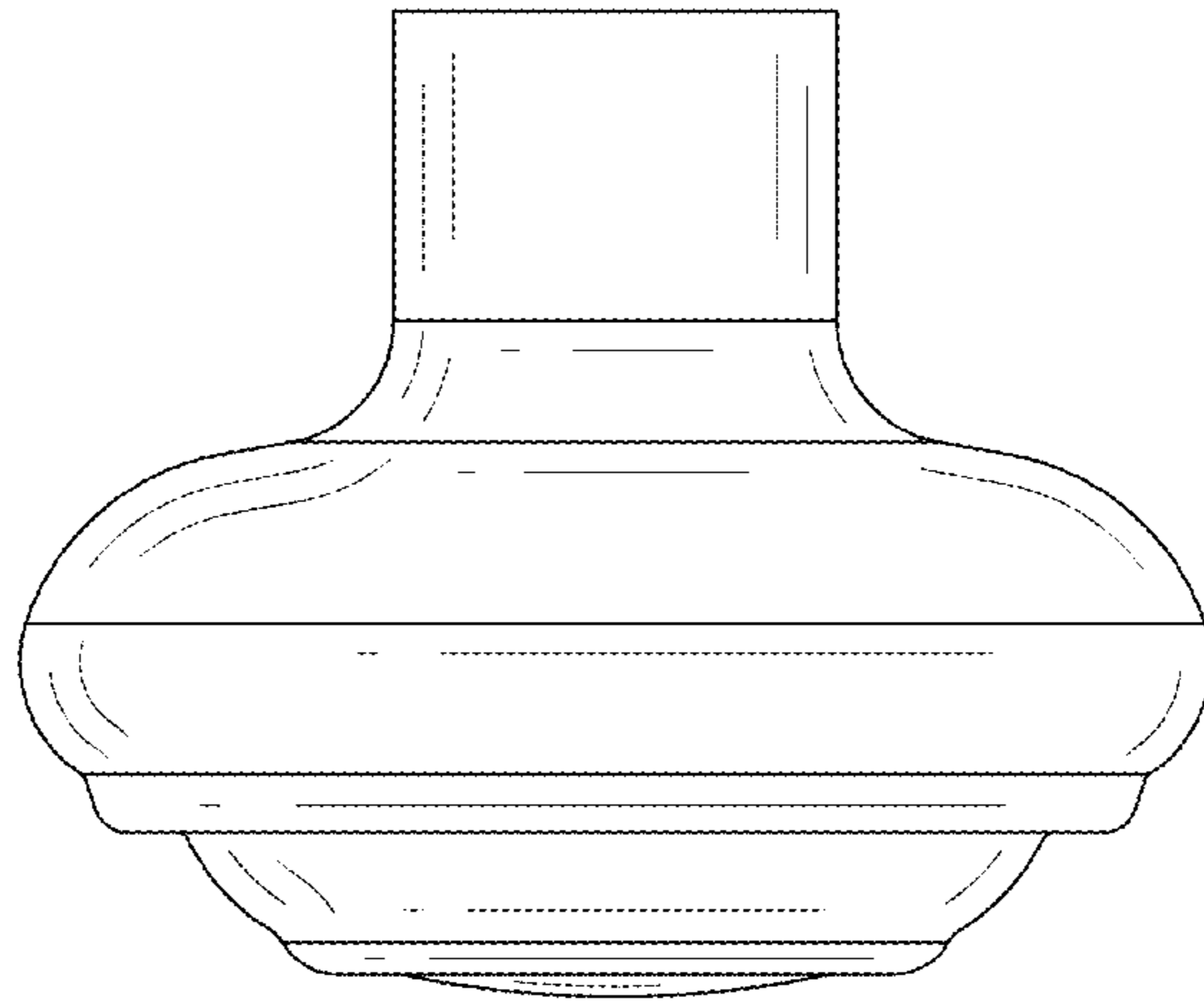


FIG.6

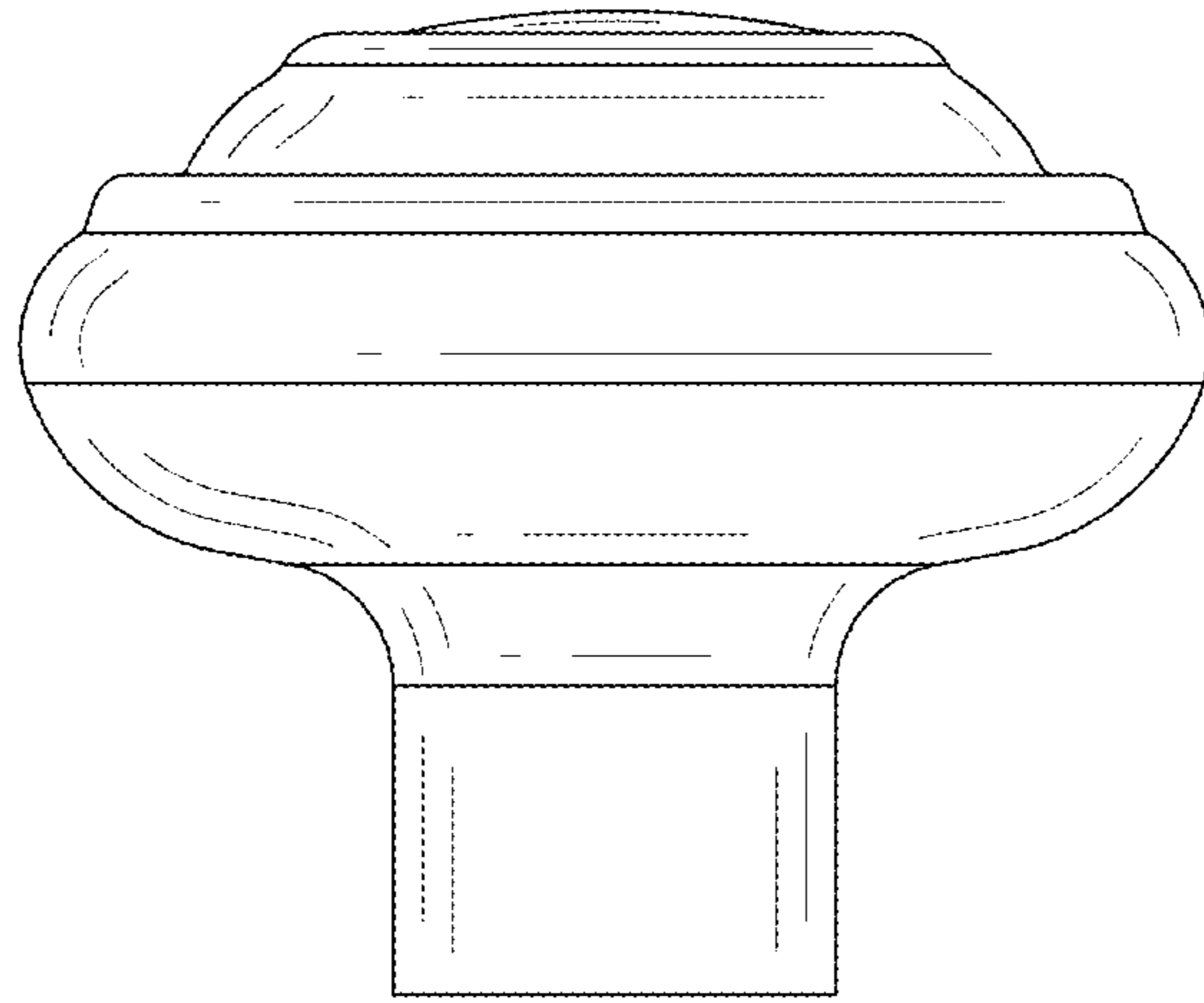


FIG.7