



US00D826681S

(12) **United States Design Patent** (10) **Patent No.:** **US D826,681 S**
Pirrone et al. (45) **Date of Patent:** **** Aug. 28, 2018**

(54) **TOOL HANDLE**

D562,932 S * 2/2008 Taylor D22/118
D563,189 S * 3/2008 Gringer D8/107
D757,511 S * 5/2016 Caglar D8/22

(71) Applicant: **The Ontario Knife Company,**
Franklinville, NY (US)

FOREIGN PATENT DOCUMENTS

(72) Inventors: **Deneb Pirrone,** Buffalo, NY (US);
David Fenske, Orchard Park, NY (US);
Paul Tsujimoto, Cuba, NY (US);
Kenneth D. Trbovich, South Wales,
NY (US); **Andrew A. Yates,** Buffalo,
NY (US)

TW D110254 4/2006
TW D182234 4/2017

OTHER PUBLICATIONS

Taiwanese Search Report (including English-language translation) issued by the Taiwan Intellectual Property Office in a counterpart application indicating the categories of relevance for each foreign patent document listed above.

* cited by examiner

Primary Examiner — Phillip S Hyder

(74) *Attorney, Agent, or Firm* — Bond, Schoeneck & King, PLLC; Amanda Lippes; Jeremy Oczeq

(73) Assignee: **The Ontario Knife Company,**
Franklinville, NY (US)

(**) Term: **15 Years**

(21) Appl. No.: **29/602,697**

(22) Filed: **May 2, 2017**

(51) **LOC (11) Cl.** **08-03**

(52) **U.S. Cl.**
USPC **D8/107; D22/118**

(58) **Field of Classification Search**
USPC D8/95, 96, 97, 98, 99, 107, 300;
D22/118; D7/649, 650, 651
CPC B26B 1/10; B26B 1/042; B26B 1/046;
B26B 1/048; B25G 1/102
See application file for complete search history.

(57) **CLAIM**

The ornamental design for a tool handle, as shown and described.

DESCRIPTION

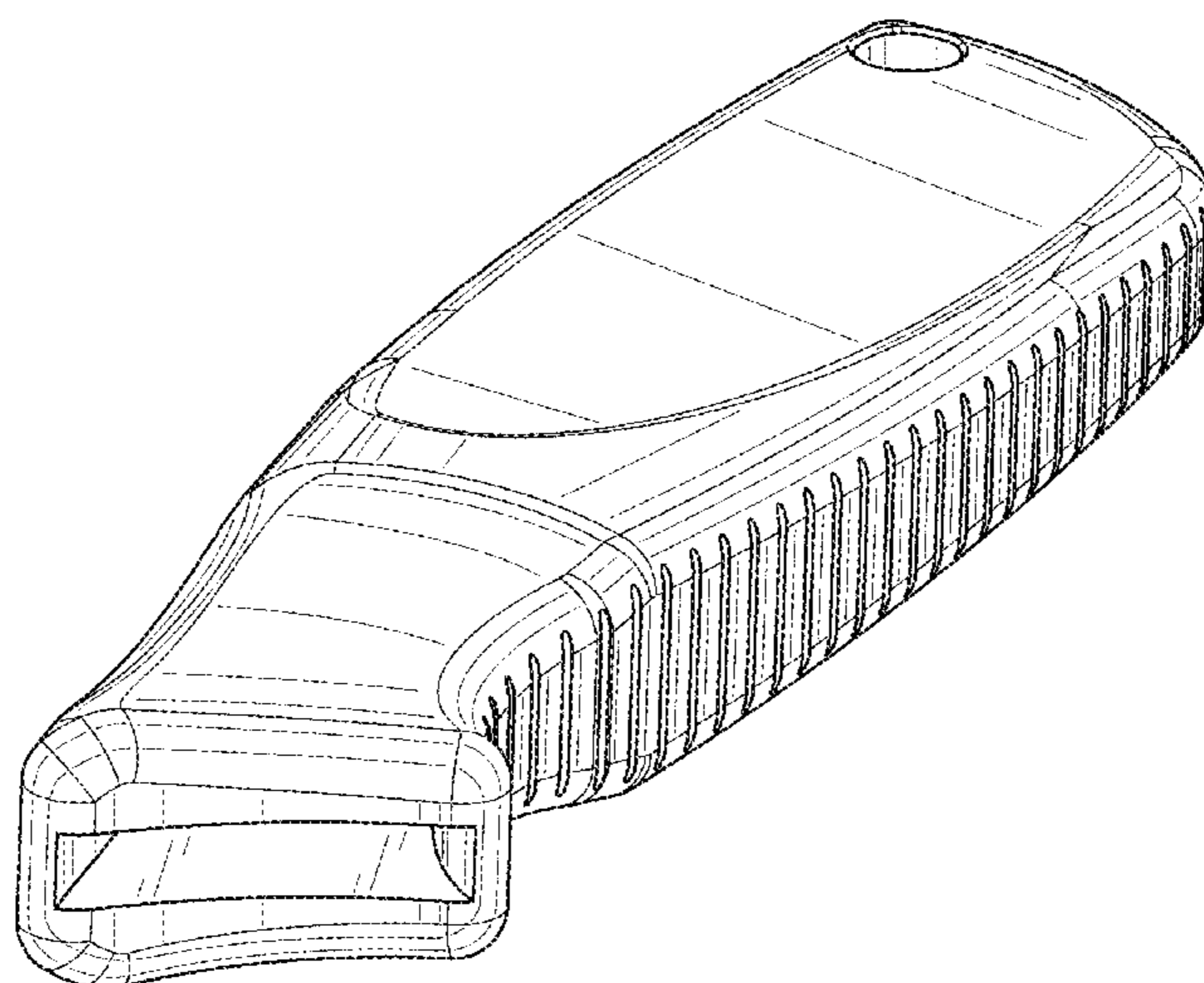
FIG. 1 is a perspective view of the tool handle;
FIG. 2 is a right side elevational view of the tool handle shown in FIG. 1;
FIG. 3 is a left side elevational view of the tool handle shown in FIG. 1;
FIG. 4 is a front elevational view of the tool handle shown in FIG. 1;
FIG. 5 is a rear elevational view of the tool handle shown in FIG. 1;
FIG. 6 is a top view of the tool handle shown in FIG. 1; and,
FIG. 7 is a bottom view of the tool handle shown in FIG. 1.

1 Claim, 7 Drawing Sheets

(56) **References Cited**

U.S. PATENT DOCUMENTS

D339,512 S * 9/1993 Collins D8/107
D397,190 S * 8/1998 Balolia D22/118
D466,784 S * 12/2002 Chen D8/107
D487,298 S * 3/2004 Clare D22/108
D549,463 S * 8/2007 Potempa D4/138
D553,462 S * 10/2007 Cantlon D8/71



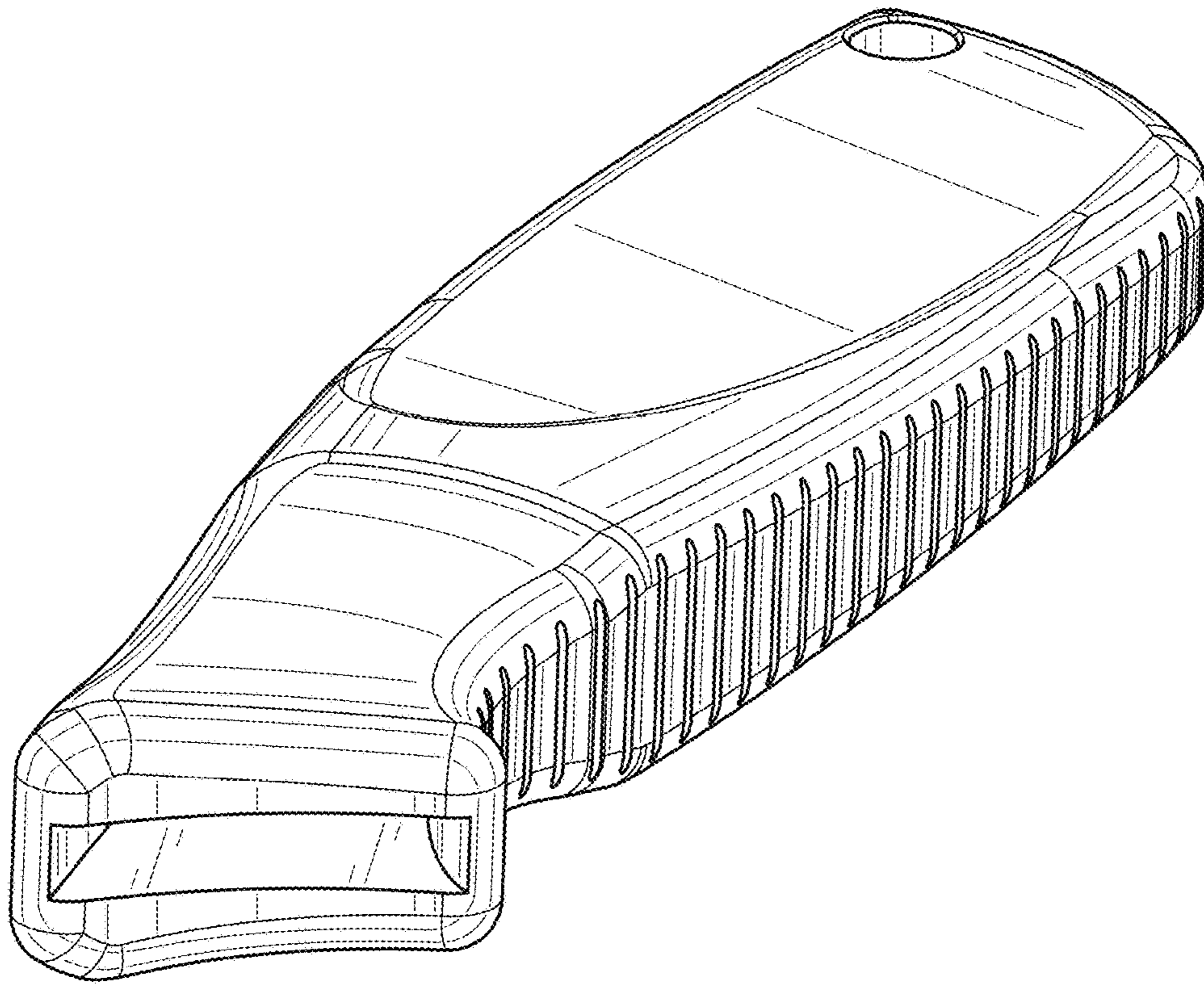


FIG. 1

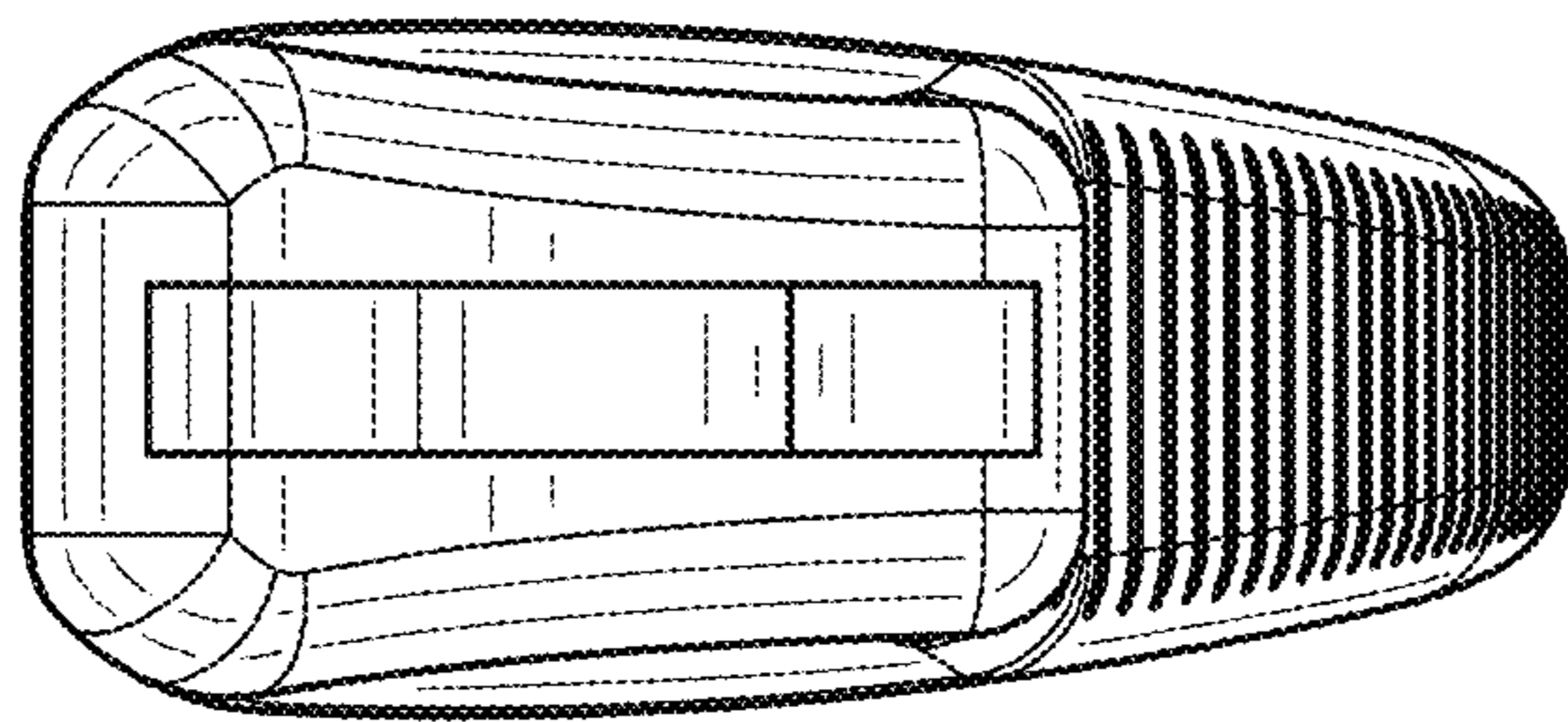


FIG. 2

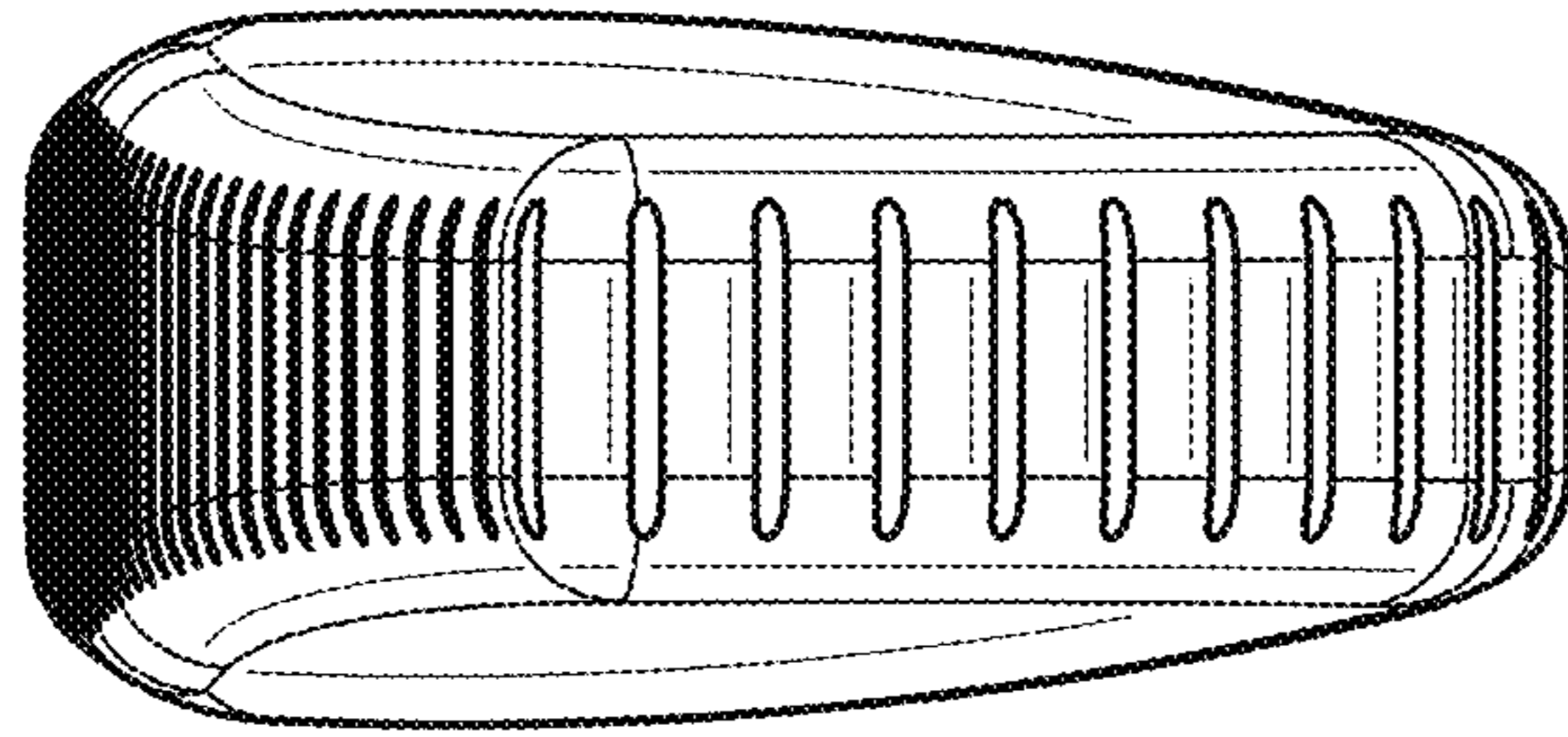


FIG. 3

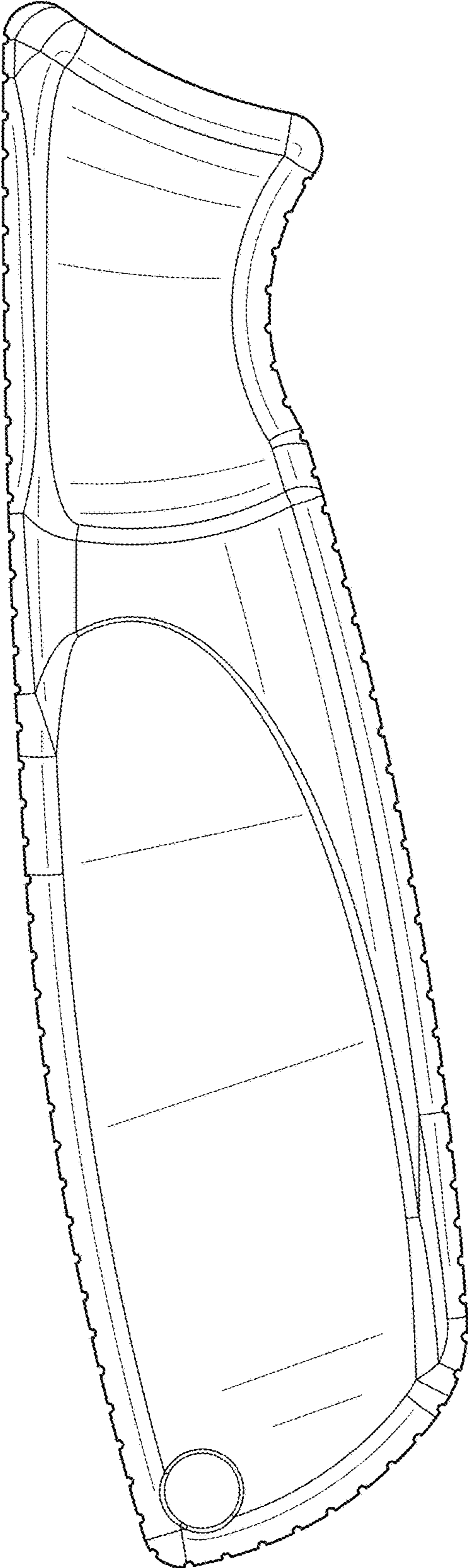


FIG. 4

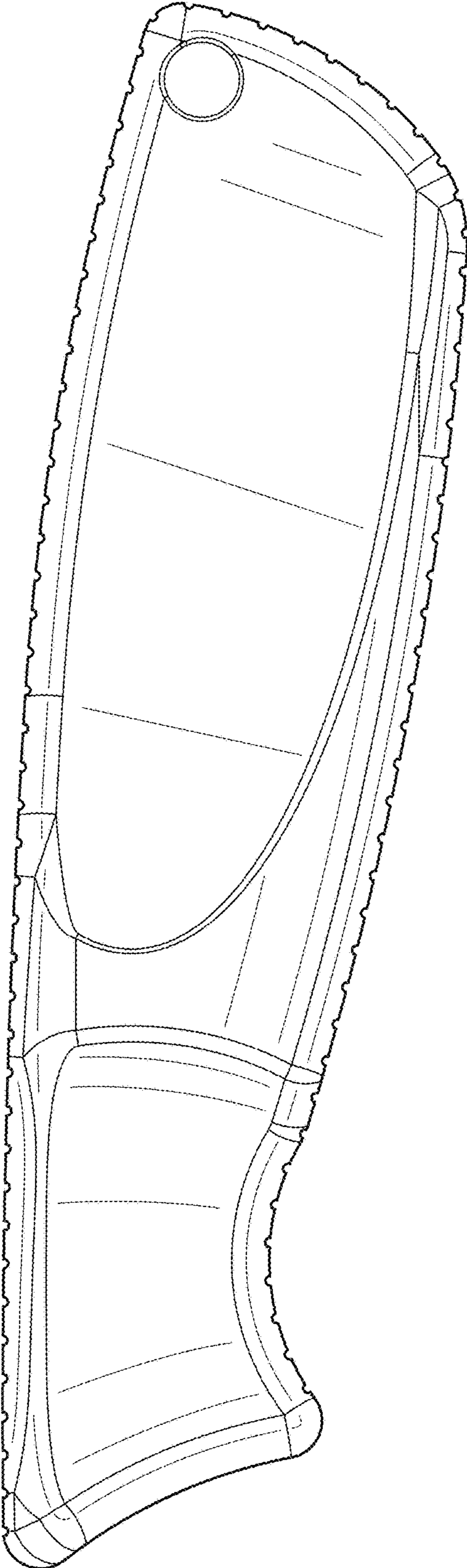


FIG. 5

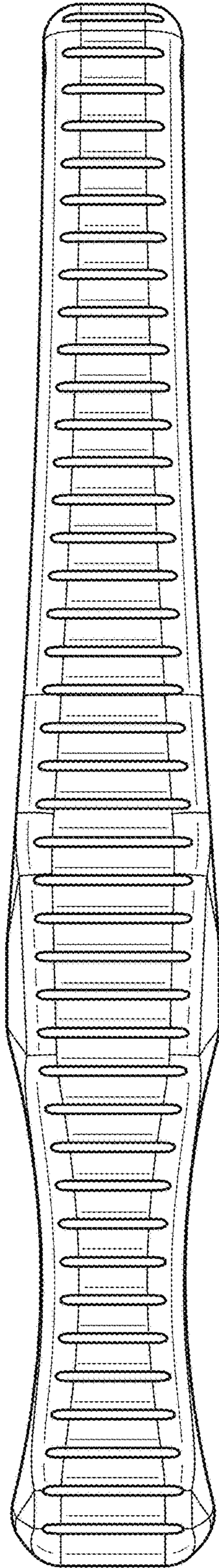


FIG. 6

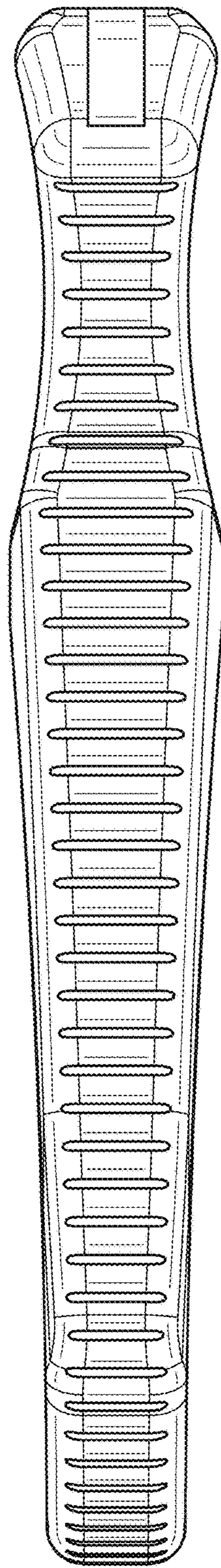


FIG. 7