



US00D826680S

(12) **United States Design Patent** (10) **Patent No.:** **US D826,680 S**  
**Ali et al.** (45) **Date of Patent:** **\*\* Aug. 28, 2018**

(54) **LONG SANDING BLOCK**  
(71) Applicants: **Terry Ali**, Fairborn, OH (US);  
**Christopher Ali**, Beavercreek, OH  
(US); **Frank Ali**, Xenia, OH (US);  
**Wayne Carl Leblanc**, Enon, OH (US)  
(72) Inventors: **Terry Ali**, Fairborn, OH (US);  
**Christopher Ali**, Beavercreek, OH  
(US); **Frank Ali**, Xenia, OH (US);  
**Wayne Carl Leblanc**, Enon, OH (US)  
(73) Assignee: **Ali Industries, Inc.**, Fairborn, OH (US)

D221,822 S \* 9/1971 Kieves ..... D4/137  
D222,200 S \* 10/1971 Roth ..... D4/137  
3,864,778 A \* 2/1975 Vopat ..... B43L 21/00  
15/105  
D329,583 S \* 9/1992 Medina ..... D8/90  
D365,507 S \* 12/1995 Pope ..... D8/90  
D406,515 S \* 3/1999 Ali ..... D8/90  
6,227,959 B1 \* 5/2001 Beaudry ..... B24D 15/023  
451/490  
6,261,031 B1 \* 7/2001 Stipe ..... B23D 71/04  
407/29.1  
D451,778 S \* 12/2001 Wheeler ..... D8/90  
D462,597 S \* 9/2002 Deshler ..... D8/90  
D479,458 S \* 9/2003 Masterson ..... D8/101  
(Continued)

(\*\*) Term: **15 Years**  
(21) Appl. No.: **29/595,376**

*Primary Examiner* — Philip S Hyder  
(74) *Attorney, Agent, or Firm* — R. William Graham

(22) Filed: **Feb. 28, 2017**

**Related U.S. Application Data**

(63) Continuation-in-part of application No. 29/549,905,  
filed on Dec. 29, 2015, now abandoned.

(51) **LOC (11) Cl.** ..... **08-05**

(52) **U.S. Cl.**  
USPC ..... **D8/90**

(58) **Field of Classification Search**  
USPC ..... D4/116, 137; D8/14, 90–94, 107, 499;  
D32/40; D28/56–59; 76/82.2, 85–87;  
451/502–503, 523–525, 539–540,  
451/552–553, 555, 557–558  
CPC ..... B24B 15/00; B24B 21/04; B24B 21/20;  
B24D 9/085; B24D 11/00; B24D 11/001;  
B24D 11/005; B24D 11/008; B24D  
13/14; B24D 13/147; B24D 15/00; B24D  
15/023; B24D 15/026; B24D 15/04  
See application file for complete search history.

(56) **References Cited**

**U.S. PATENT DOCUMENTS**

D96,630 S \* 8/1935 Smith ..... D32/52  
3,089,294 A \* 5/1963 Cowley ..... B24D 13/14  
451/490

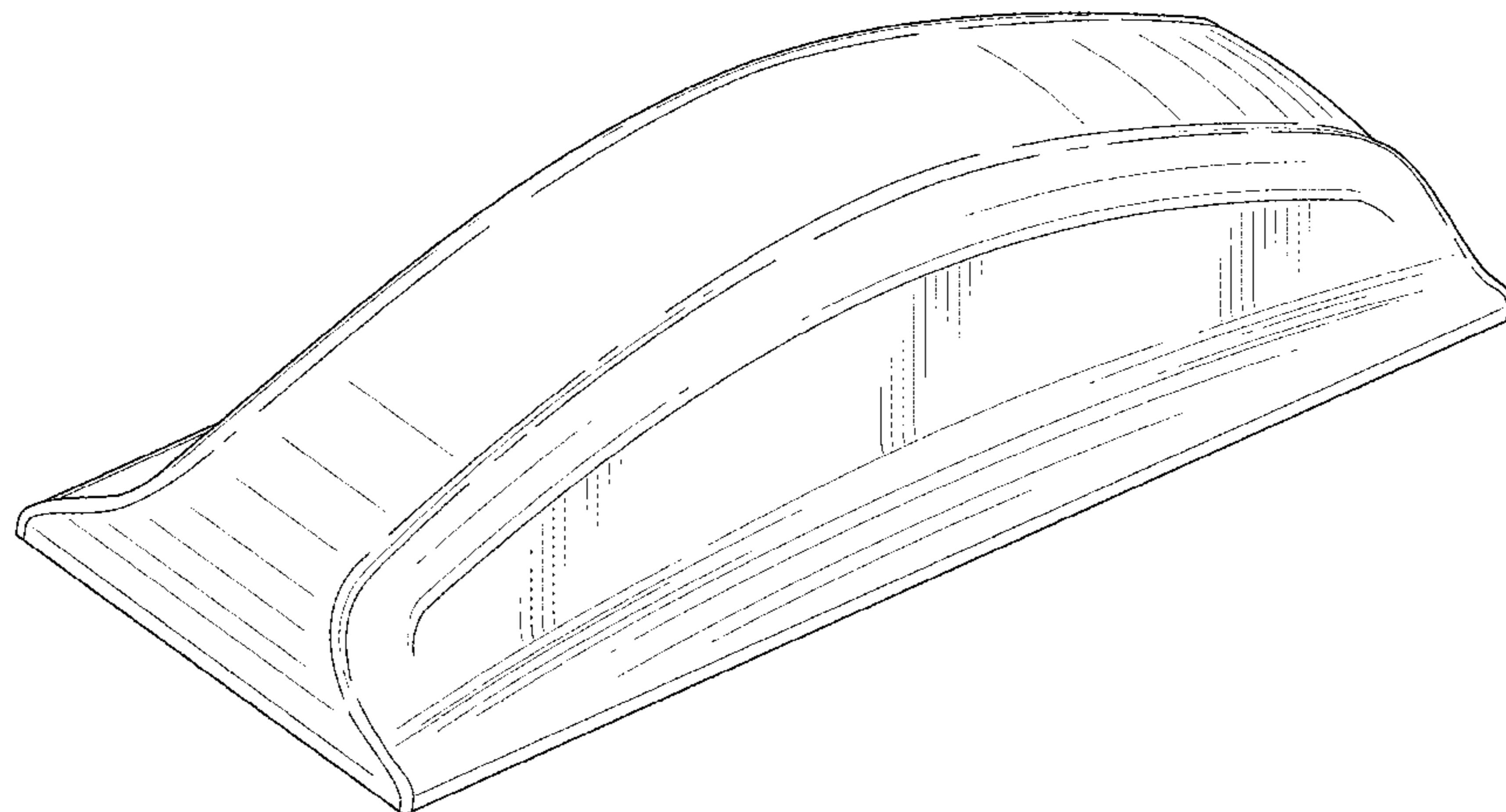
(57) **CLAIM**

The ornamental design for the long sanding block, as shown  
and described herein.

**DESCRIPTION**

FIG. 1 is a perspective view of a long sanding block showing  
our new design;  
FIG. 2 is a top view taken from long sanding block of FIG.  
1 showing our new design;  
FIG. 3 is a bottom perspective view of a long sanding block  
of FIG. 1 showing our new design;  
FIG. 4 is a front side elevational view of a long sanding  
block of FIG. 1 showing our new design;  
FIG. 5 is a back side view of a long sanding block of FIG.  
1 showing our new design;  
FIG. 6 is a right side elevational view of a long sanding  
block of FIG. 1 showing our new design; and,  
FIG. 7 is a left side elevational view of a long sanding block  
of FIG. 1 showing our new design.

**1 Claim, 5 Drawing Sheets**



(56)

**References Cited**

U.S. PATENT DOCUMENTS

D480,424 S	*	10/2003	Belton	.....	D19/187
D547,954 S	*	8/2007	Thurin	.....	D32/52
D563,676 S	*	3/2008	Knopow	.....	D4/137
D585,711 S	*	2/2009	Kang	.....	D8/14
D626,339 S	*	11/2010	Knopow	.....	D4/137
D655,513 S	*	3/2012	Neumann	.....	A47L 11/33
					D4/137
D657,573 S	*	4/2012	Neumann	.....	D4/137
D661,566 S	*	6/2012	Comstock	.....	D8/90
D687,286 S	*	8/2013	Ali	.....	D8/90
D707,525 S	*	6/2014	Ali	.....	D8/90
D716,631 S	*	11/2014	Miller	.....	D8/70

\* cited by examiner

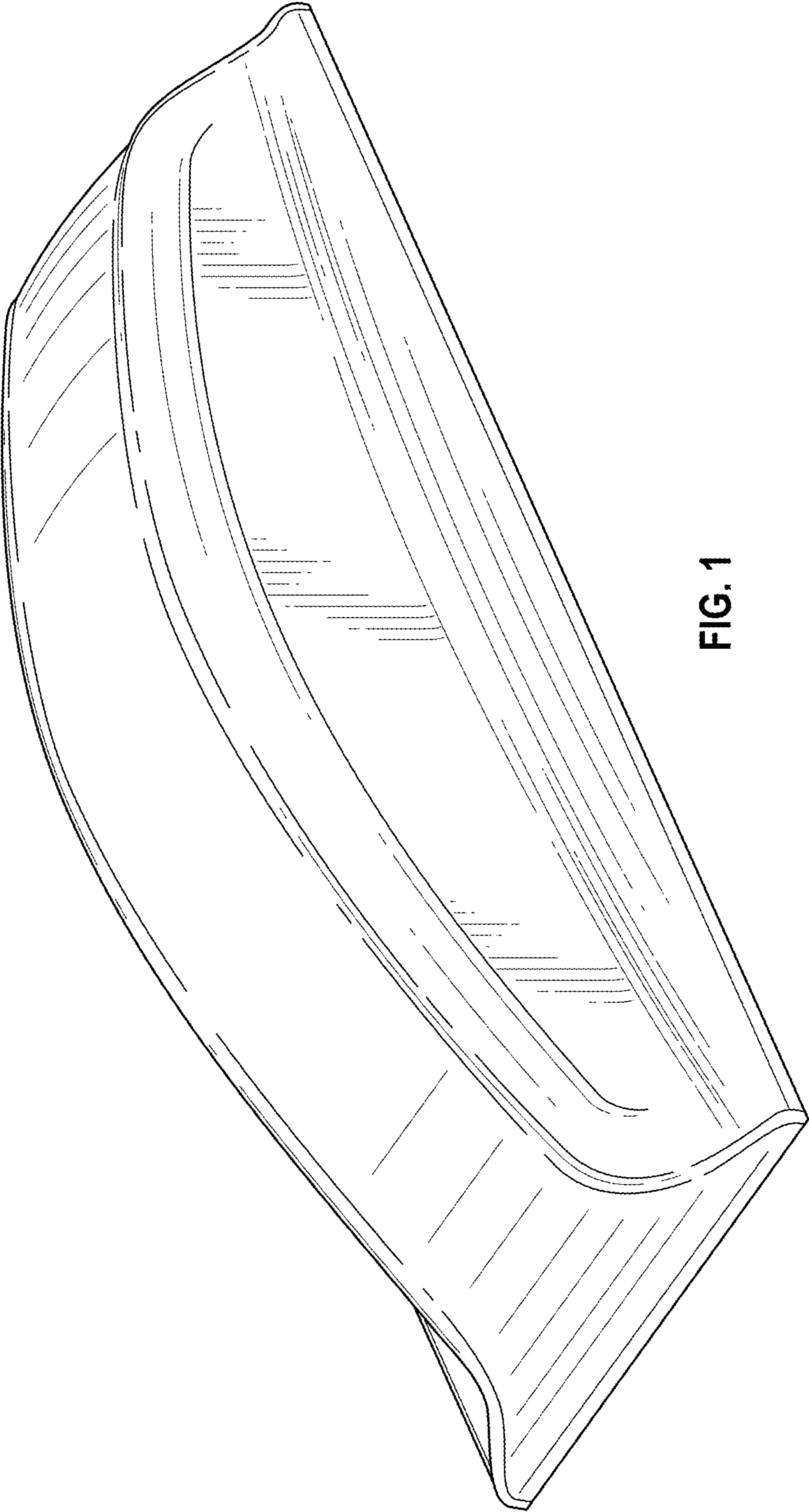


FIG. 1

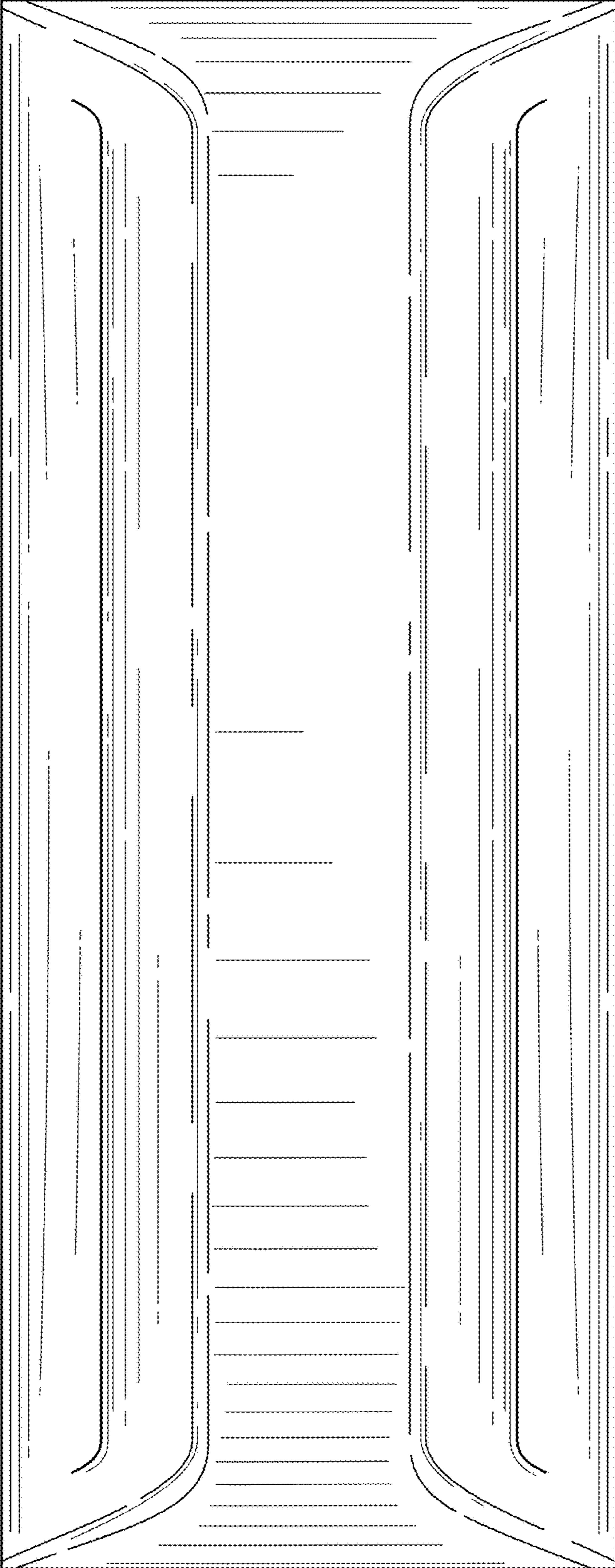


FIG. 2

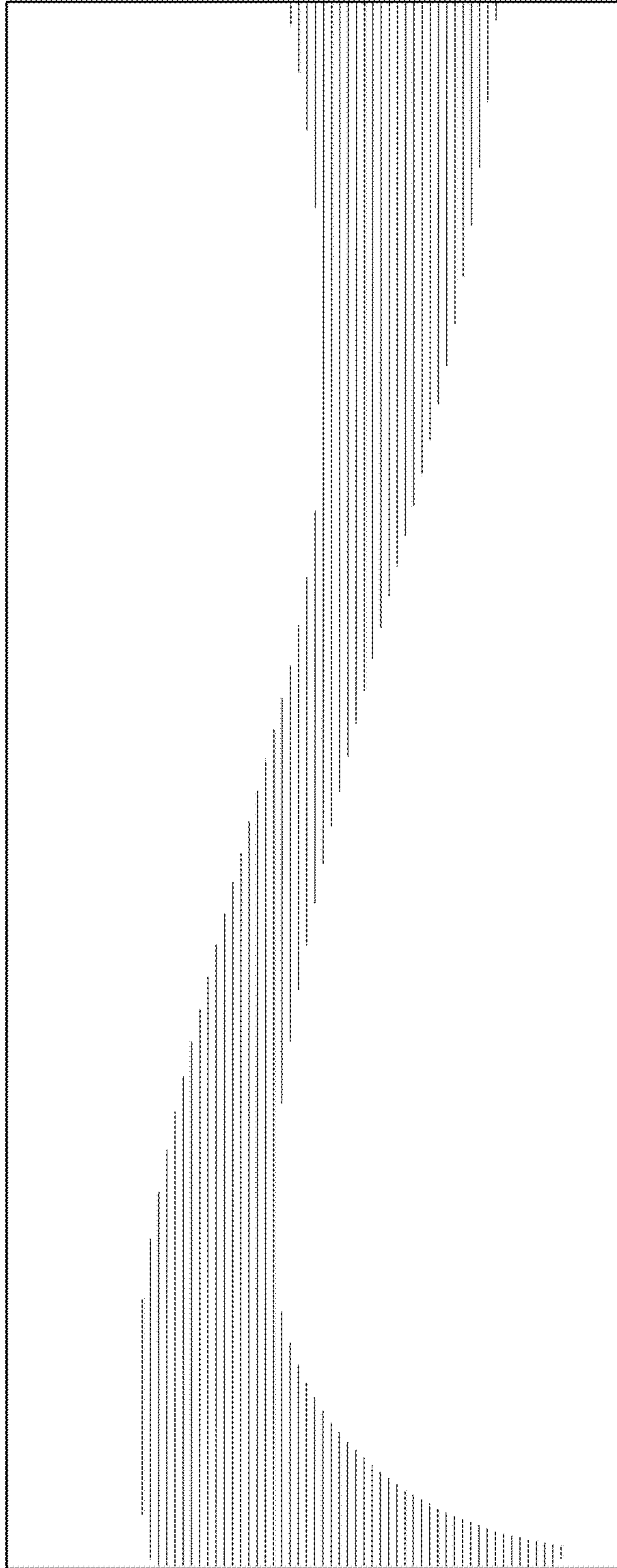


FIG. 3

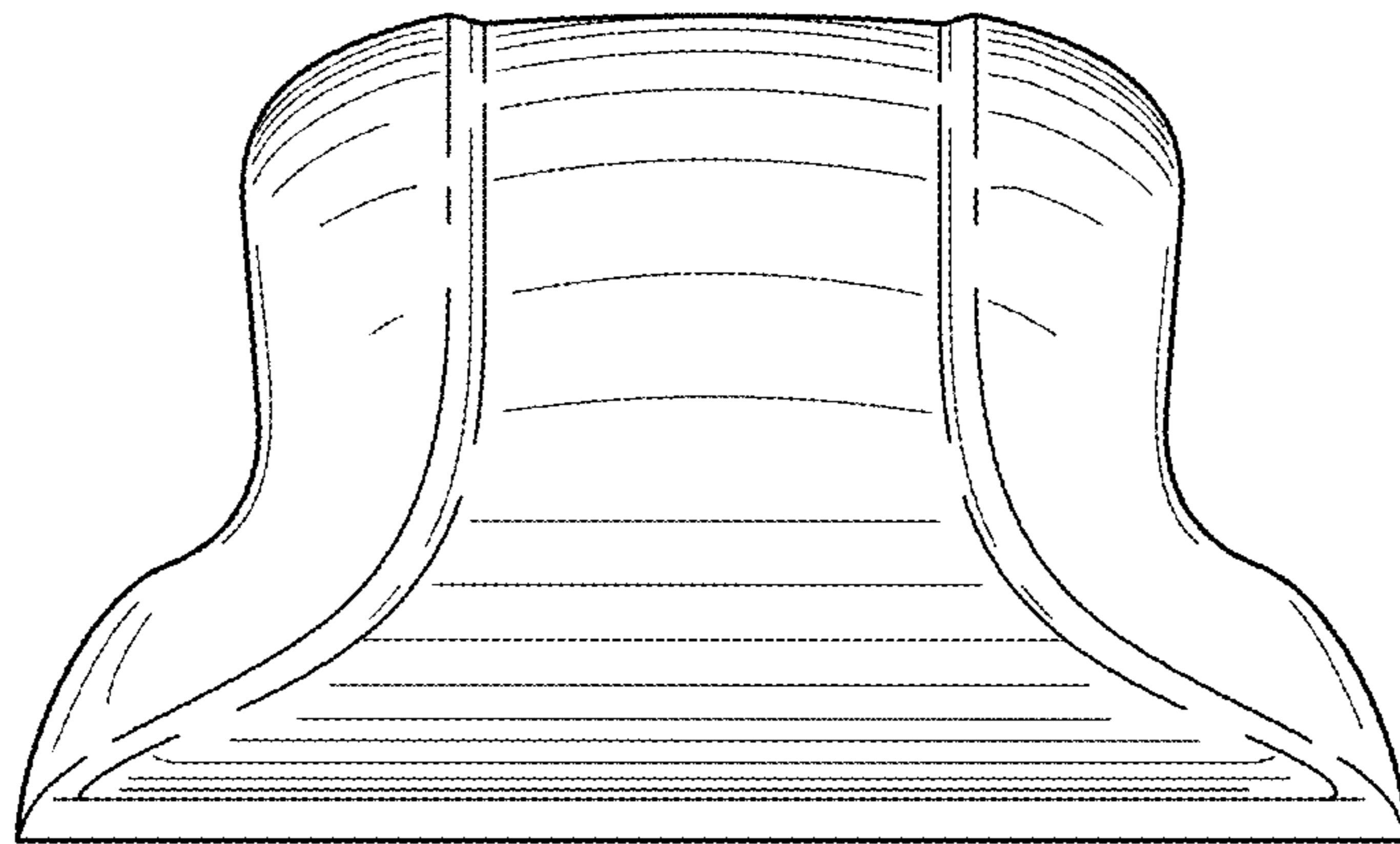


FIG. 4

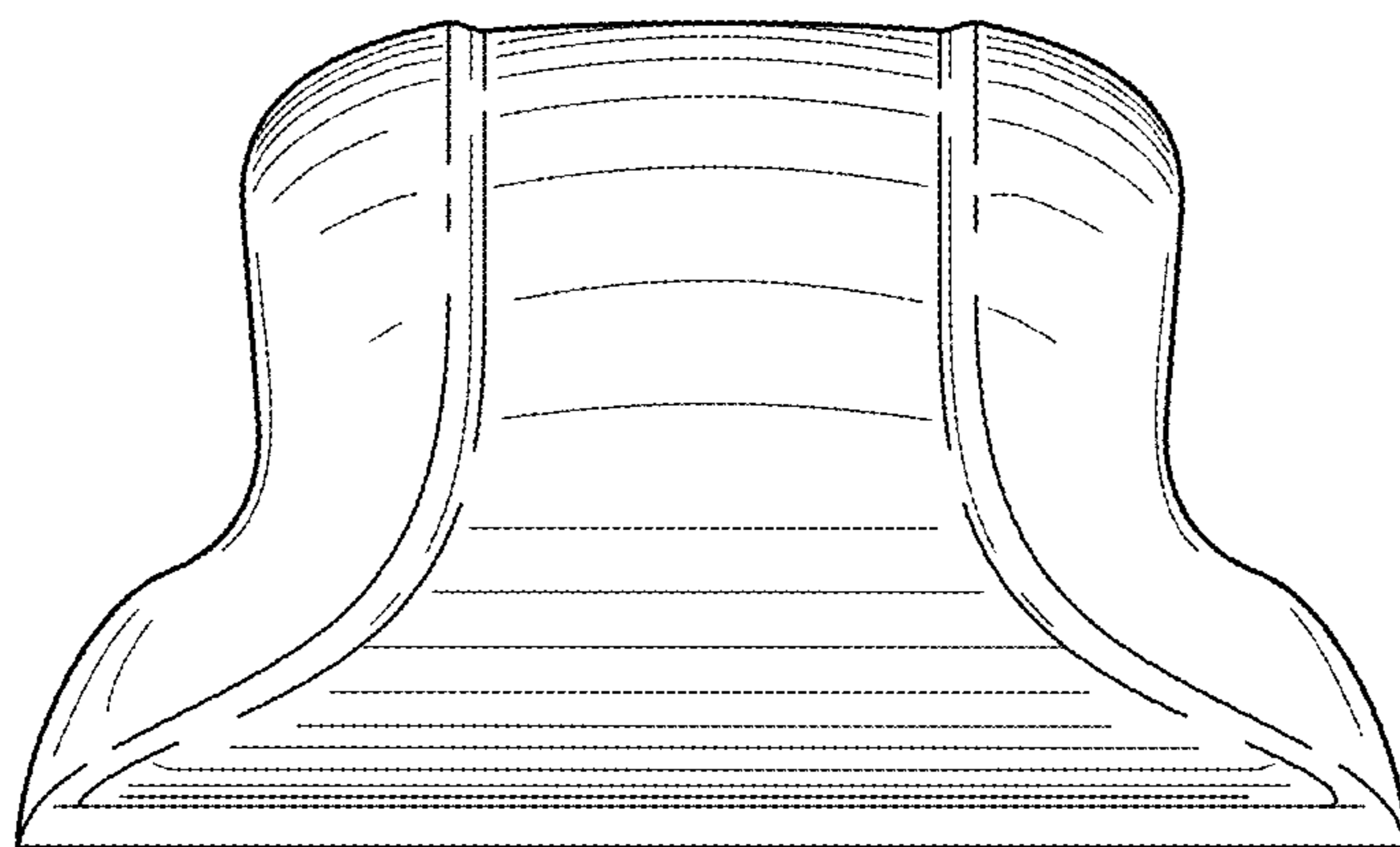


FIG. 5

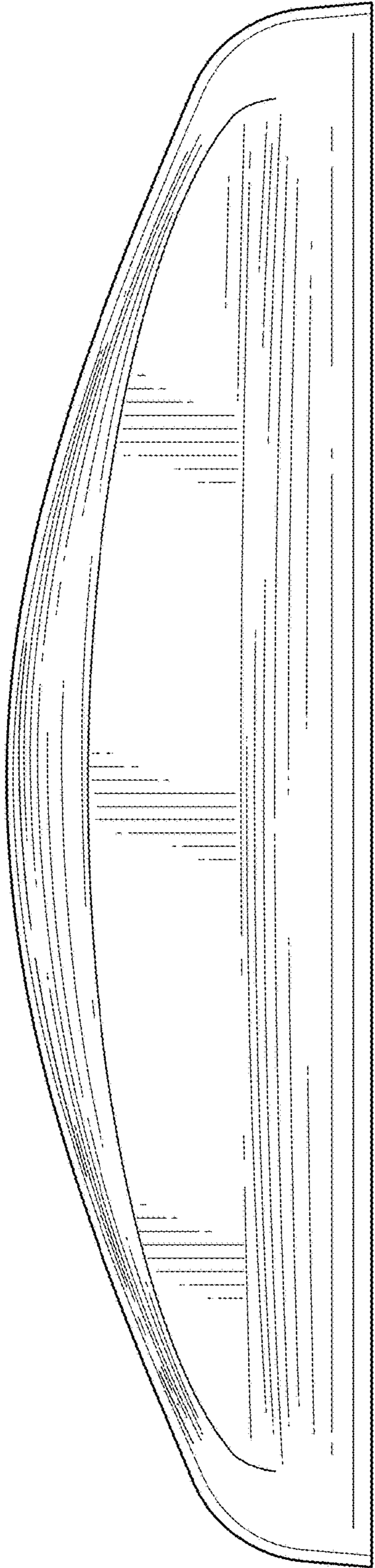


FIG. 6

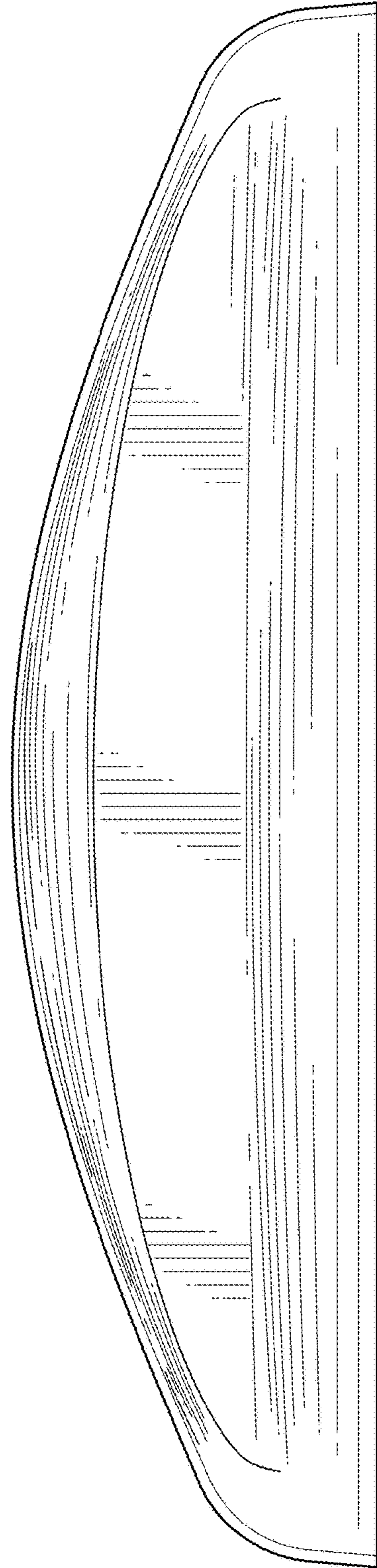


FIG. 7