



US00D826678S

(12) **United States Design Patent** (10) **Patent No.:** **US D826,678 S**
Nelson (45) **Date of Patent:** **** Aug. 28, 2018**

(54) **HAMMER**
(71) Applicant: **Home Depot Product Authority, LLC,**
Atlanta, GA (US)
(72) Inventor: **Michael Nelson,** Peachtree City, GA
(US)
(73) Assignee: **Home Depot Product Authority, LLC,**
Atlanta, GA (US)
(**) Term: **15 Years**
(21) Appl. No.: **29/563,628**
(22) Filed: **May 6, 2016**

D285,284 S * 8/1986 Blomqvist D8/77
D324,473 S * 3/1992 Chen D8/80
D325,863 S * 5/1992 Chen D8/75
D391,316 S * 2/1998 Morris D21/756
5,960,677 A * 10/1999 Carmien B25D 1/12
81/20
D418,226 S * 12/1999 Cody D24/186
D463,725 S * 10/2002 Wroblewski D8/77
D465,987 S * 11/2002 Lin D8/107
D499,137 S * 11/2004 Shibata D19/166
D517,889 S * 3/2006 Hsieh D8/107
D531,479 S * 11/2006 Davis D8/80
D534,410 S * 1/2007 Chen D8/107
D556,008 S * 11/2007 Kerr D23/223
D576,852 S * 9/2008 Lin D8/25
D579,298 S * 10/2008 Moxey D8/77
D633,957 S * 3/2011 Brown D21/567
D649,246 S * 11/2011 Prichett D24/142
D651,056 S * 12/2011 Robinson D8/25

(Continued)

Related U.S. Application Data

(62) Division of application No. 29/465,974, filed on Sep.
3, 2013, now Pat. No. Des. 760,055.
(51) **LOC (11) Cl.** **08-02**
(52) **U.S. Cl.**
USPC **D8/77**
(58) **Field of Classification Search**
USPC D8/75-81, 105, 107, 303; 81/19-26,
81/489-490; 76/103; D22/117;
D21/756; 473/302
CPC A63B 49/08; A63B 53/14; A63B 53/16;
A63B 59/0014; A63B 59/0029; B25G
1/00; B25G 1/01; B25G 1/02; B25G
1/04; B25G 1/10; B25G 3/34; B26B
23/00

See application file for complete search history.

(56) **References Cited**

U.S. PATENT DOCUMENTS

D179,018 S * 10/1956 Lowe et al. D8/77
3,844,321 A * 10/1974 Cook B25D 1/00
273/DIG. 8
3,942,567 A * 3/1976 Richilano B22D 19/00
81/19

OTHER PUBLICATIONS

United States Patent and Trademark Office, Office Action issued on
U.S. Appl. No. 29/563,626, dated Jun. 30, 2017, 5 pgs.

Primary Examiner — Phillip S Hyder

(74) *Attorney, Agent, or Firm* — Greenberg Traurig, LLP

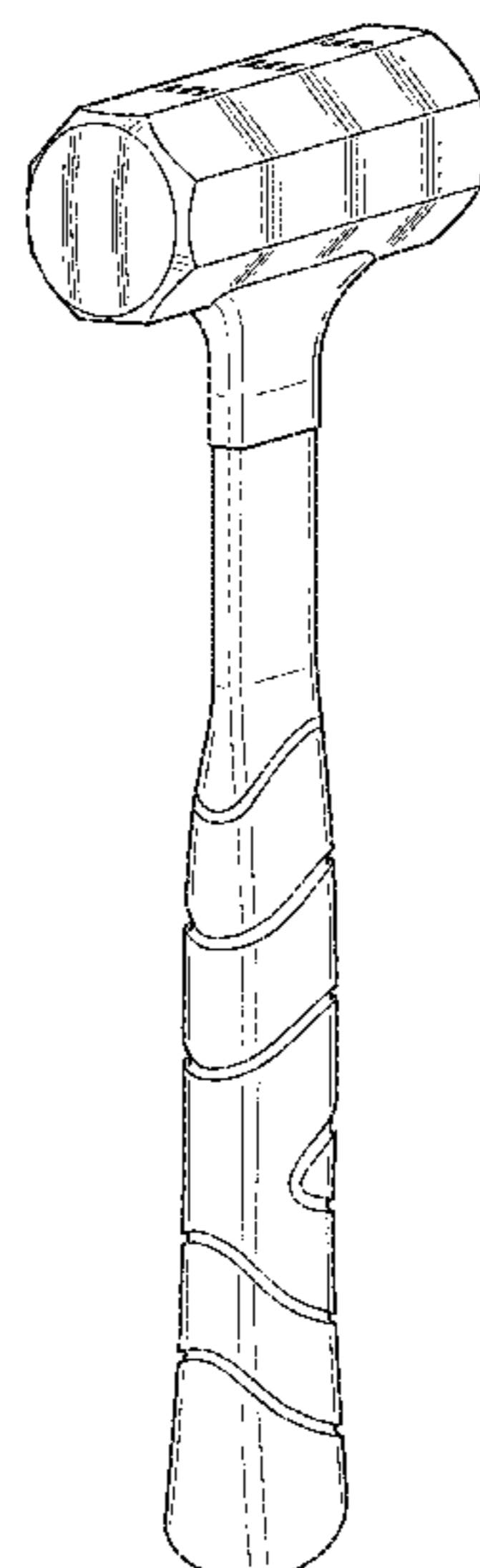
(57) **CLAIM**

The ornamental design for a hammer, as shown and
described.

DESCRIPTION

FIG. 1 is a perspective view of a hammer;
FIG. 2 is a front view of the hammer shown in FIG. 1;
FIG. 3 is a rear view of the hammer shown in FIG. 1;
FIG. 4 is a right side view of the hammer shown in FIG. 1,
the left side view being a mirror image thereof;
FIG. 5 is a top view of the hammer shown in FIG. 1; and,
FIG. 6 is a bottom view of the hammer shown in FIG. 1.

1 Claim, 3 Drawing Sheets



(56)

References Cited

U.S. PATENT DOCUMENTS

D651,063	S	*	12/2011	Robinson	D8/80
D651,879	S	*	1/2012	Robinson	D8/25
D651,880	S	*	1/2012	Robinson	D8/25
D655,594	S	*	3/2012	Robinson	D8/107
D656,809	S	*	4/2012	Mullen	D8/107
D657,652	S	*	4/2012	Lin	D8/303
D661,569	S	*	6/2012	Chen	D8/107
D674,264	S	*	1/2013	Robinson	D8/83
D758,818	S	*	6/2016	Nelson	D8/80
D760,055	S	*	6/2016	Nelson	D8/80
9,452,518	B2	*	9/2016	Perry	B25G 1/10
D769,688	S	*	10/2016	Nelson	D8/80
2016/0288311	A1	*	10/2016	Ferris	B25G 1/04

* cited by examiner

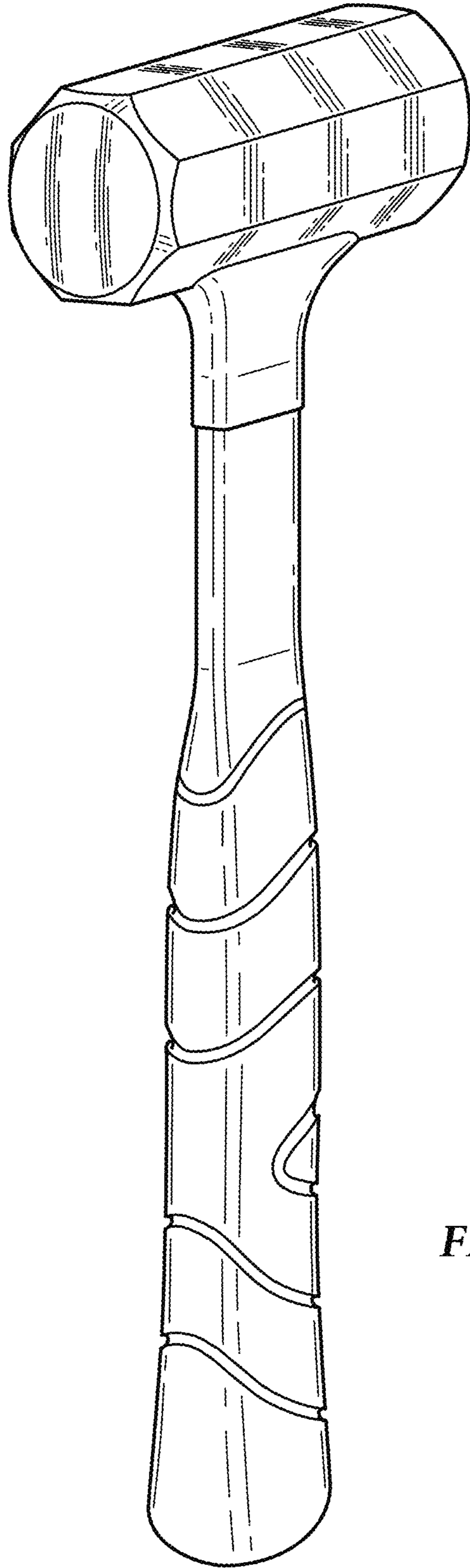


FIG. 1

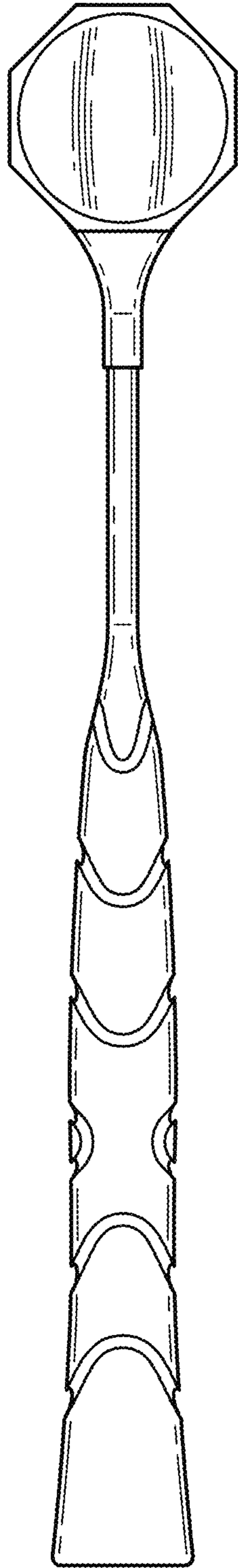


FIG. 2

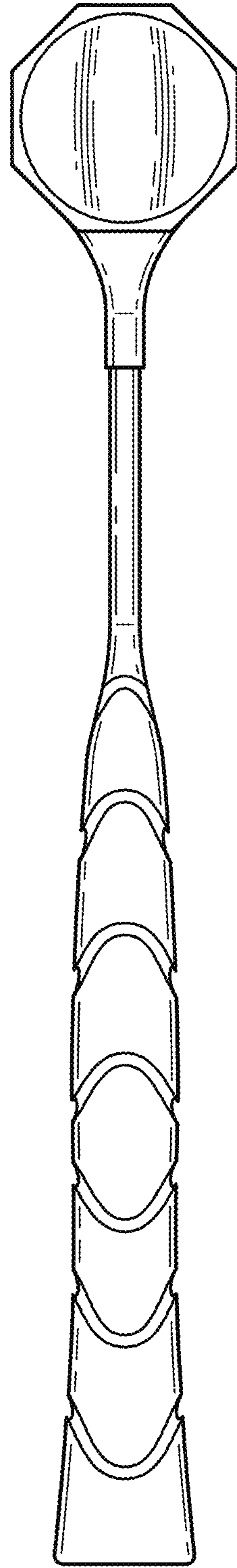


FIG. 3

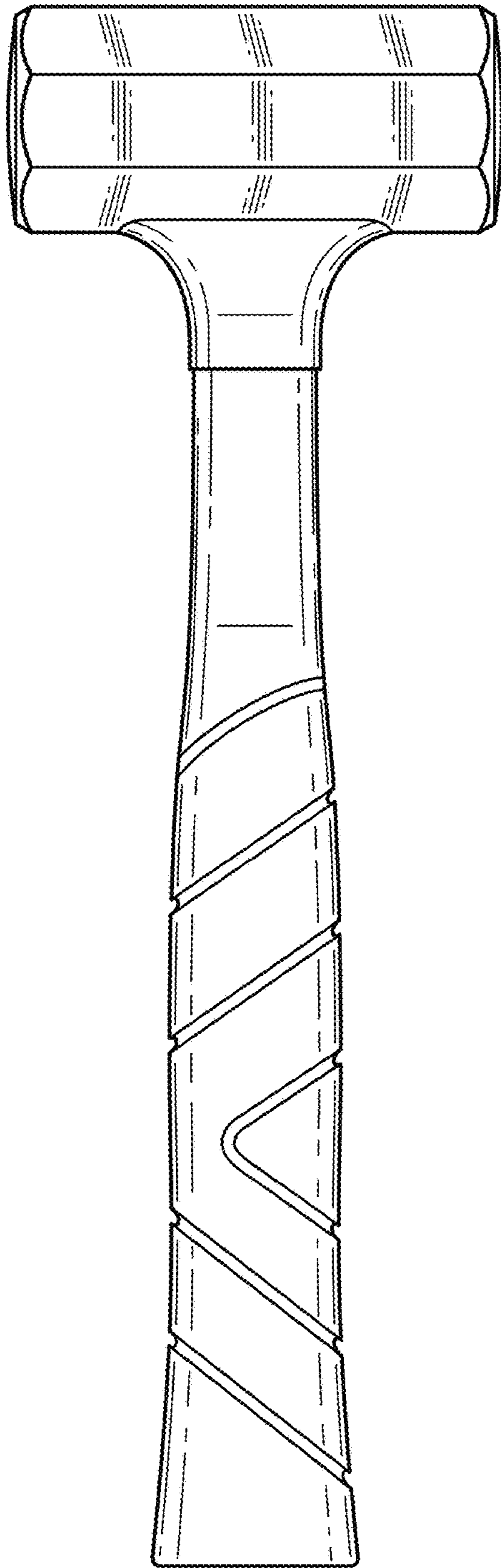


FIG. 4

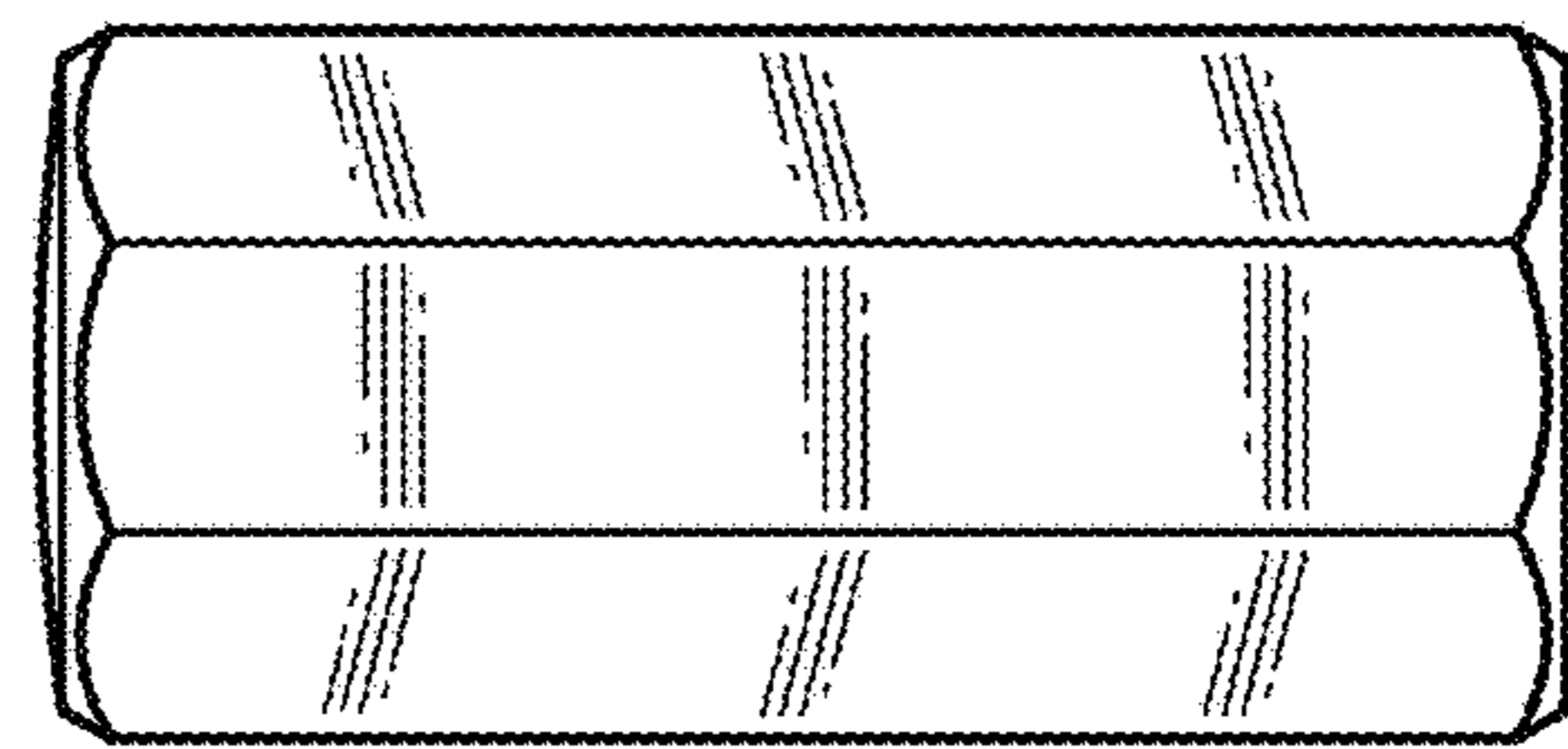


FIG. 5

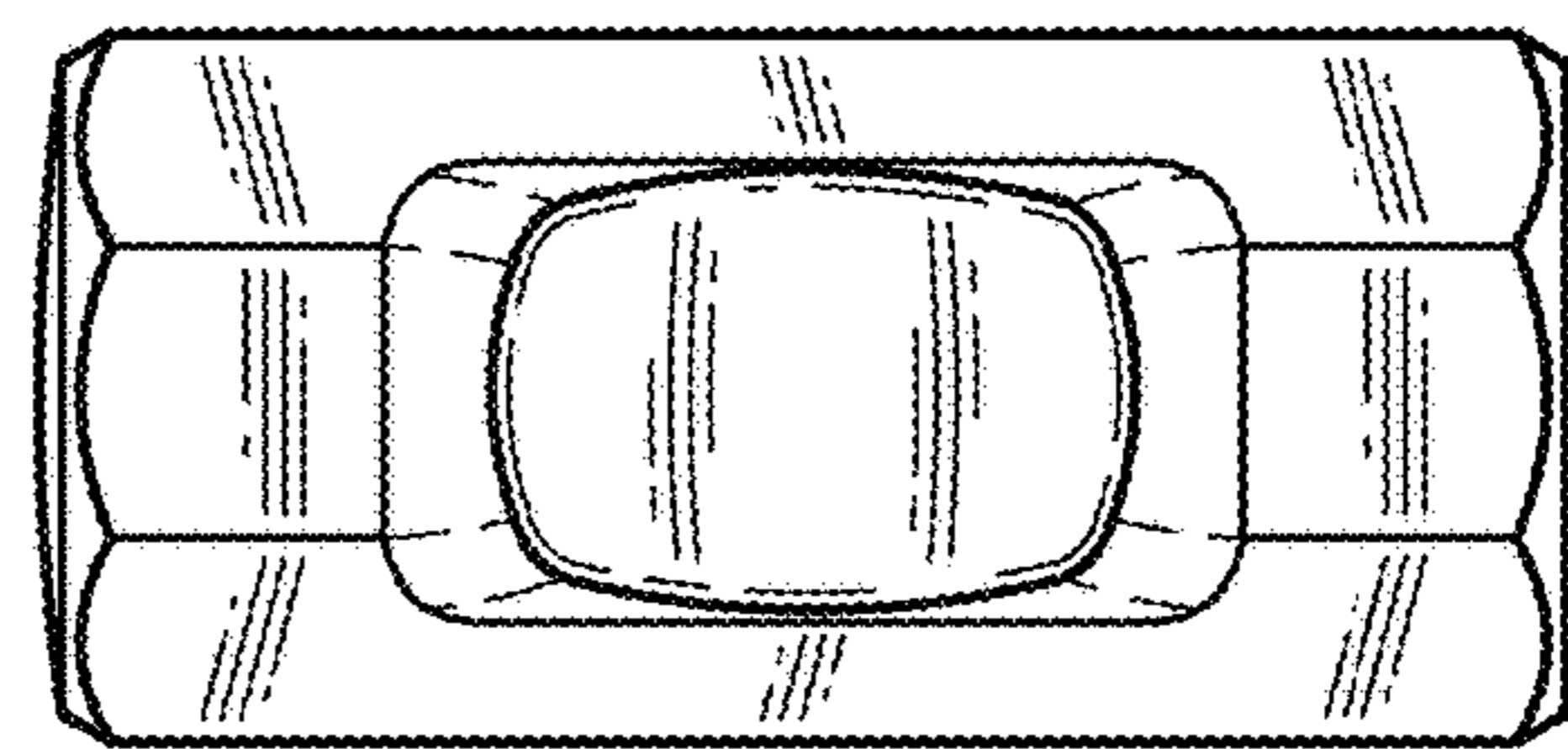


FIG. 6