



US00D826677S

(12) **United States Design Patent**
Nelson

(10) **Patent No.:** **US D826,677 S**
(45) **Date of Patent:** **** Aug. 28, 2018**

- (54) **HAMMER**
- (71) Applicant: **Home Depot Product Authority, LLC**,
Atlanta, GA (US)
- (72) Inventor: **Michael Nelson**, Peachtree City, GA
(US)
- (73) Assignee: **Home Depot Product Authority, LLC**,
Atlanta, GA (US)
- (**) Term: **15 Years**
- (21) Appl. No.: **29/563,626**
- (22) Filed: **May 6, 2016**

Related U.S. Application Data

- (62) Division of application No. 29/465,974, filed on Sep. 3, 2013, now Pat. No. Des. 760,055.
- (51) **LOC (11) Cl.** **08-02**
- (52) **U.S. Cl.**
USPC **D8/77**
- (58) **Field of Classification Search**
USPC D8/75-81, 105, 107, 303; 81/19-26,
81/489-490; 76/103; D22/117;
D21/756; 473/302
CPC A63B 49/08; A63B 53/14; A63B 59/0014;
A63B 59/0029; B25G 1/00; B25G 1/01;
B25G 1/02; B25G 1/04; B25G 1/10;
B25G 3/34; B26B 23/00
See application file for complete search history.

(56) **References Cited**

U.S. PATENT DOCUMENTS

- D179,018 S * 10/1956 Lowe et al. D8/77
- 3,844,321 A * 10/1974 Cook B25D 1/00
273/DIG. 8

- 3,942,567 A * 3/1976 Richilano B22D 19/00
81/19
- D285,284 S * 8/1986 Blomqvist D8/77
- D324,473 S * 3/1992 Chen D8/80
- D325,863 S * 5/1992 Chen D8/75
- D391,316 S * 2/1998 Morris D21/756
- 5,960,677 A * 10/1999 Carmien B25D 1/12
81/20
- D418,226 S * 12/1999 Cody D24/186
- D463,725 S * 10/2002 Wroblewski D8/77
- D465,987 S * 11/2002 Lin D8/107
- D499,137 S * 11/2004 Shibata D19/166
- D517,889 S * 3/2006 Hsieh D8/107
- D531,479 S * 11/2006 Davis D8/80
- D534,410 S * 1/2007 Chen D8/107
- D556,008 S * 11/2007 Kerr D23/223
- D576,852 S * 9/2008 Lin D8/25
- D579,298 S * 10/2008 Moxey D8/77
- D633,957 S * 3/2011 Brown D21/567
- D649,246 S * 11/2011 Prichett D24/142
- D651,056 S * 12/2011 Robinson D8/25
- D651,063 S * 12/2011 Robinson D8/80
- D651,879 S * 1/2012 Robinson D8/25
- D651,880 S * 1/2012 Robinson D8/25
- D655,594 S * 3/2012 Robinson D8/107

(Continued)

Primary Examiner — Phillip S Hyder

(74) *Attorney, Agent, or Firm* — Greenberg Traurig, LLP

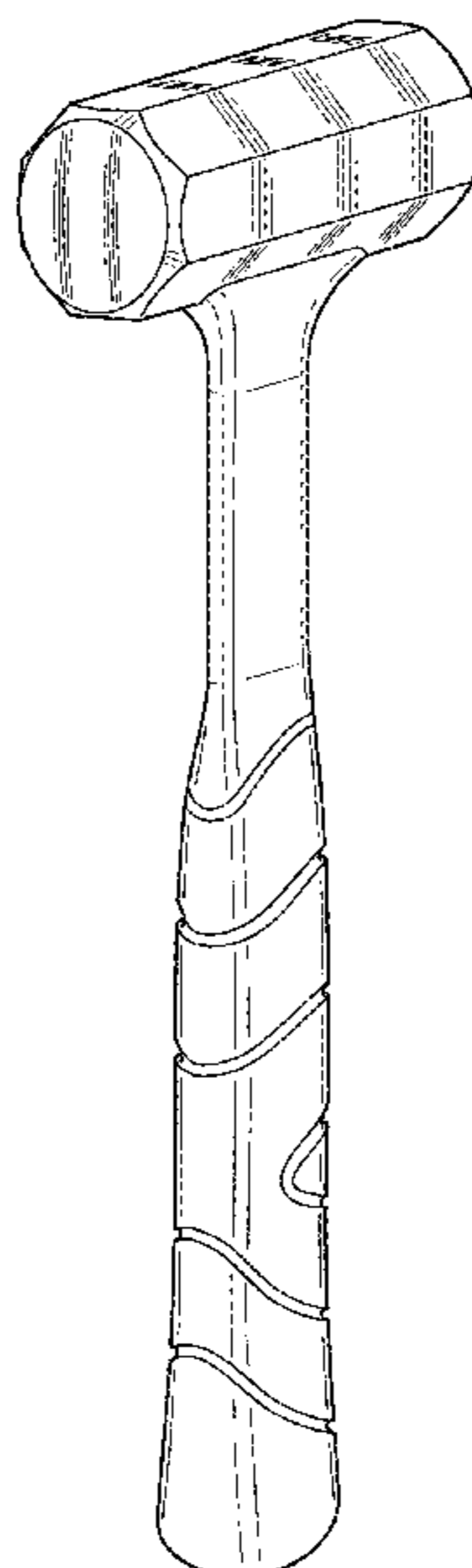
(57) **CLAIM**

The ornamental design for a hammer, as shown and described.

DESCRIPTION

FIG. 1 is a perspective view of a hammer;
FIG. 2 is a front view of the hammer shown in FIG. 1;
FIG. 3 is a rear view of the hammer shown in FIG. 1;
FIG. 4 is a right side view of the hammer shown in FIG. 1,
the left side view being a mirror image thereof;
FIG. 5 is a top view of the hammer shown in FIG. 1; and,
FIG. 6 is a bottom view of the hammer shown in FIG. 1.

1 Claim, 3 Drawing Sheets



(56)

References Cited

U.S. PATENT DOCUMENTS

D656,809 S * 4/2012 Mullen D8/107
D657,652 S * 4/2012 Lin D8/303
D661,569 S * 6/2012 Chen D8/107
D674,264 S * 1/2013 Robinson D8/83
D758,818 S * 6/2016 Nelson D8/80
D760,055 S * 6/2016 Nelson D8/80
9,452,518 B2 * 9/2016 Perry B25G 1/10
D769,688 S * 10/2016 Nelson D8/80
2016/0288311 A1 * 10/2016 Ferris B25G 1/04

* cited by examiner

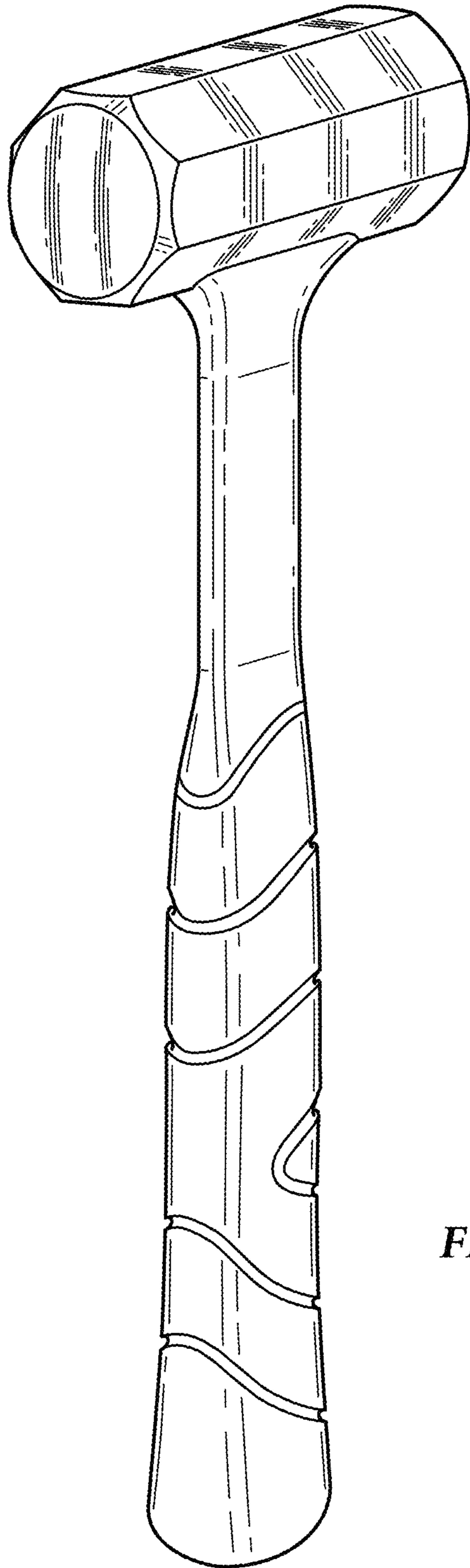


FIG. 1

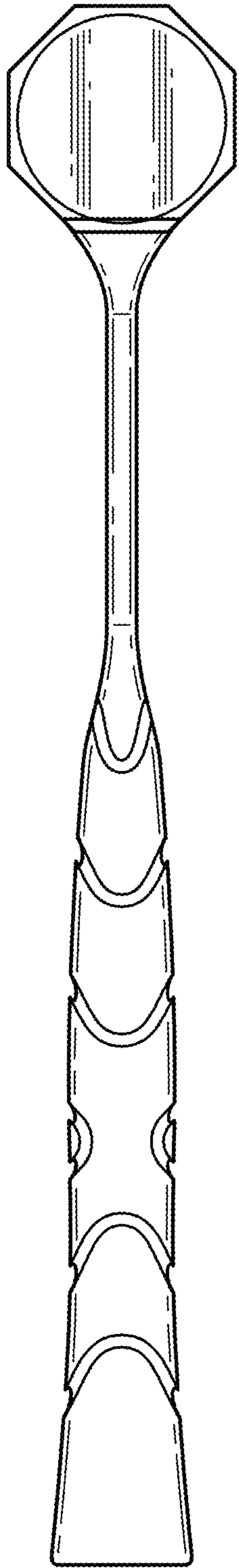


FIG. 2

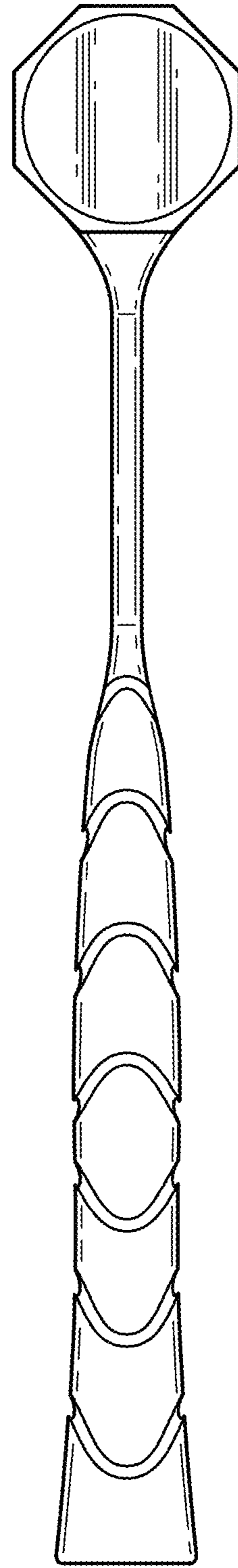


FIG. 3

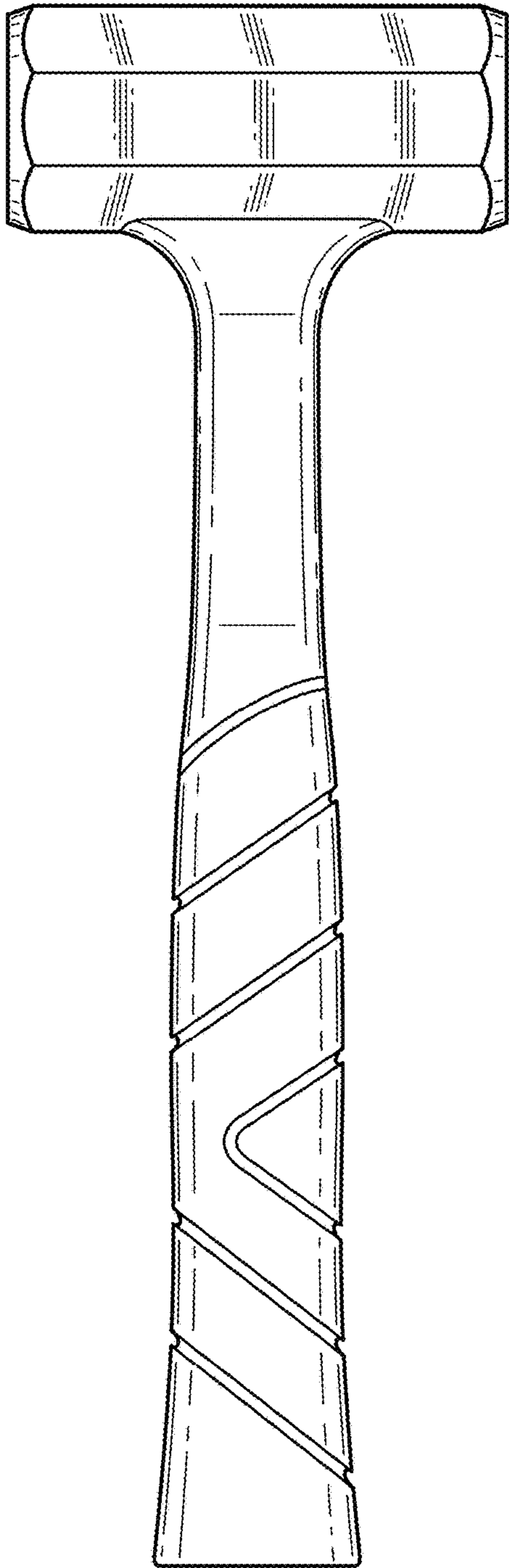


FIG. 4

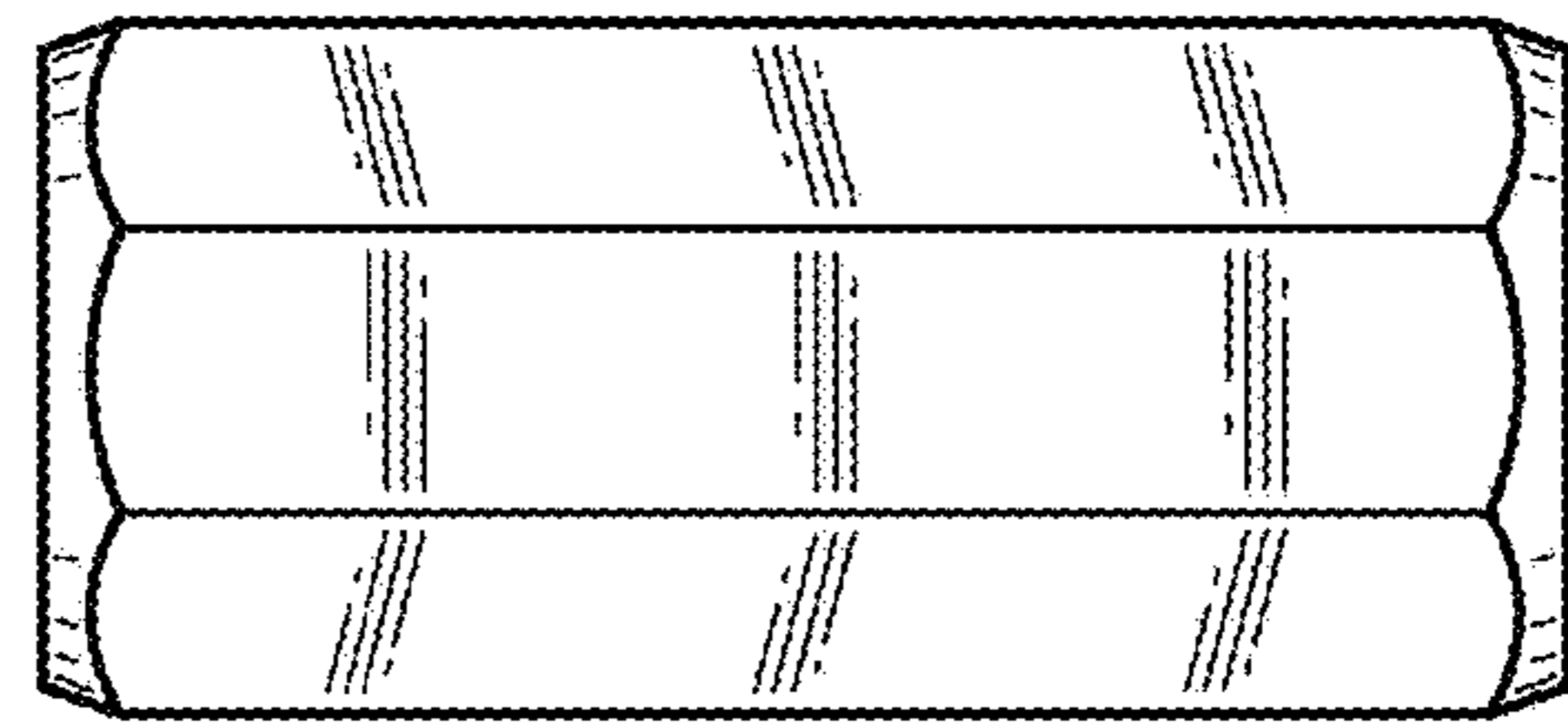


FIG. 5

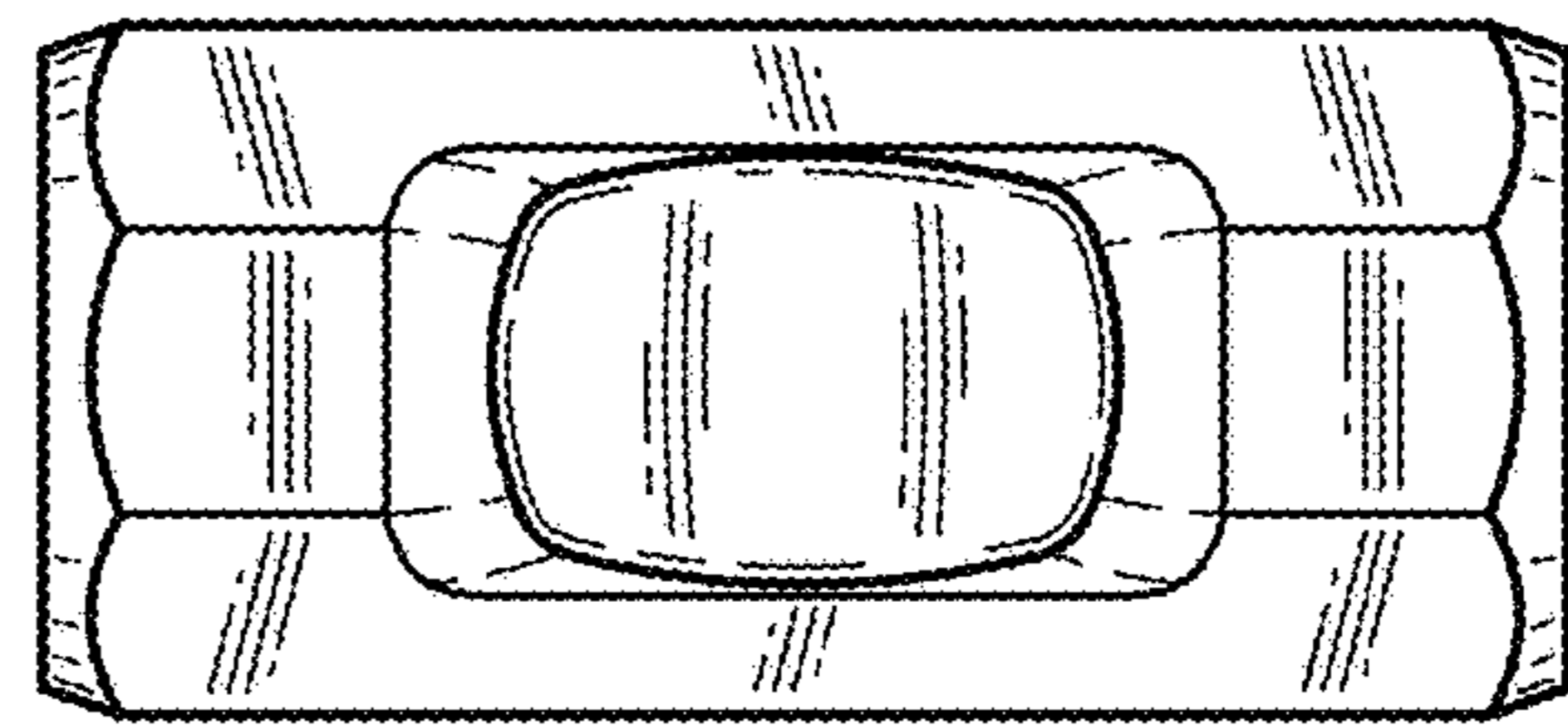


FIG. 6