



US00D826670S

(12) **United States Design Patent**
Goodman

(10) **Patent No.:** **US D826,670 S**

(45) **Date of Patent:** **** Aug. 28, 2018**

- (54) **POWERED CASE TRIMMER**
- (71) Applicant: **Larry Goodman**, Cerritos, CA (US)
- (72) Inventor: **Larry Goodman**, Cerritos, CA (US)
- (**) Term: **15 Years**
- (21) Appl. No.: **29/560,157**
- (22) Filed: **Apr. 4, 2016**
- (51) **LOC (11) Cl.** **08-05**
- (52) **U.S. Cl.**
USPC **D8/70**
- (58) **Field of Classification Search**
USPC D8/70, 71; D15/131, 138, 140
CPC B23B 5/168; B23B 31/00; B23B 31/123;
B23B 31/1238; B23B 31/1253; F42B
33/10; F42B 35/02
See application file for complete search history.

- 6,957,936 B2 * 10/2005 Kress B23B 5/168
408/181
- D612,406 S * 3/2010 Jackson D15/131
- D643,864 S * 8/2011 Jackson D15/140
- 8,408,112 B2 * 4/2013 Keska F42B 33/10
86/24
- 8,827,607 B1 * 9/2014 Goodman B23B 5/168
408/202
- 9,022,704 B1 * 5/2015 Goodman B23B 5/168
408/1 R
- 9,440,292 B1 * 9/2016 Feinberg B23B 5/16
- 9,459,082 B2 * 10/2016 Giraud F42B 33/10
- 2016/0018204 A1 * 1/2016 Giraud F42B 33/10
86/24

* cited by examiner

Primary Examiner — Darlington Ly
(74) *Attorney, Agent, or Firm* — Kenneth L. Green;
Averill & Green

(57) **CLAIM**

The ornamental design for a powered case trimmer, as shown and described.

(56) **References Cited**

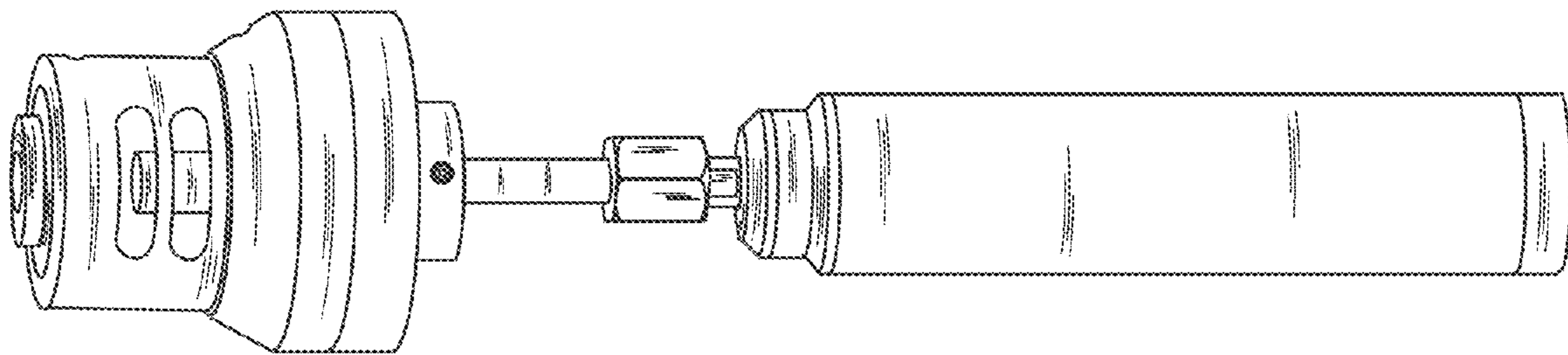
U.S. PATENT DOCUMENTS

- 3,234,974 A * 2/1966 Ray B23D 57/0076
142/32
- 3,875,831 A * 4/1975 Beauloye B23B 5/163
82/113
- 4,135,846 A * 1/1979 Nowakowski B23B 5/163
408/157
- 4,486,131 A * 12/1984 Eckle B23B 5/167
407/39
- 4,813,827 A * 3/1989 Dugger B23B 5/168
408/211
- 5,076,122 A * 12/1991 Katzenburger B23B 5/163
407/113
- D481,046 S * 10/2003 Gainer D15/139

DESCRIPTION

FIG. 1 is a front and left side perspective view of a powered case trimmer showing my new design; FIG. 2 is a left side elevation view thereof, of which the right side elevation view is a mirror image; FIG. 3 is a front elevation view thereof; and, FIG. 4 is a top plan view thereof, of which the bottom plan view is a mirror image.

1 Claim, 1 Drawing Sheet



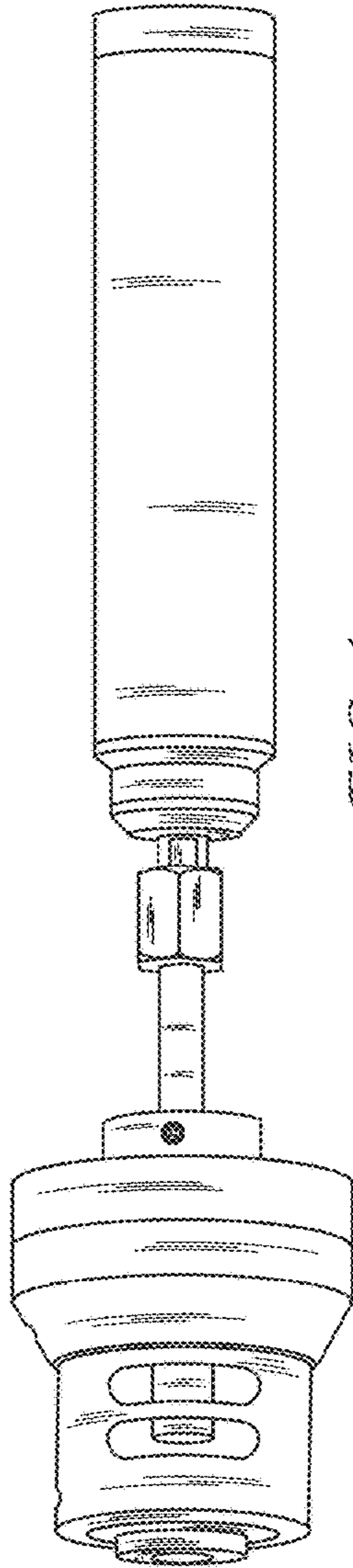


FIG. 1

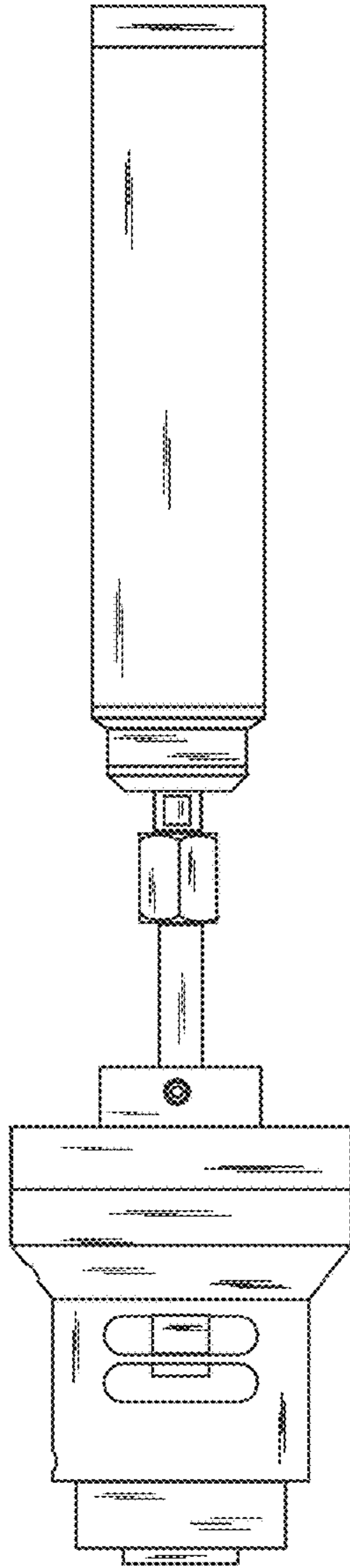


FIG. 2

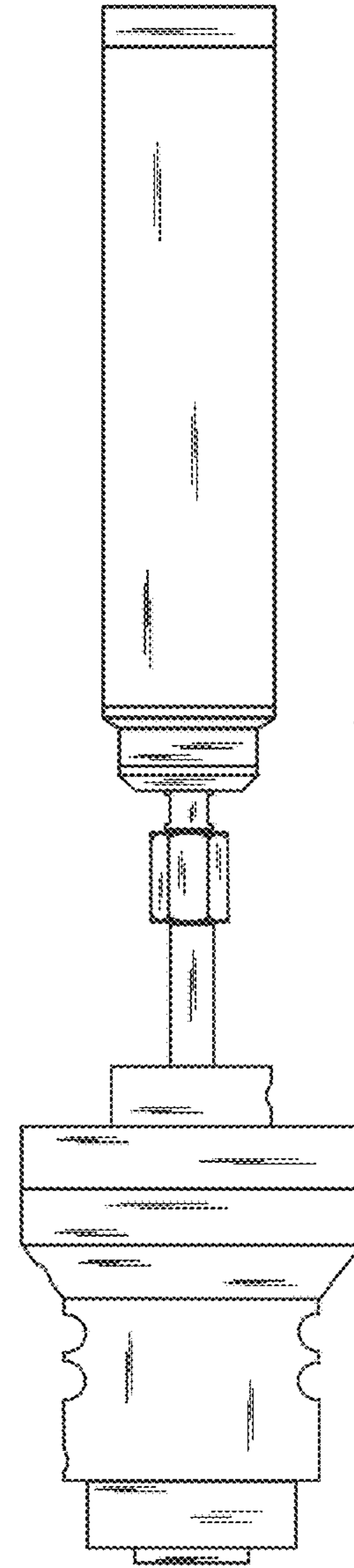


FIG. 4

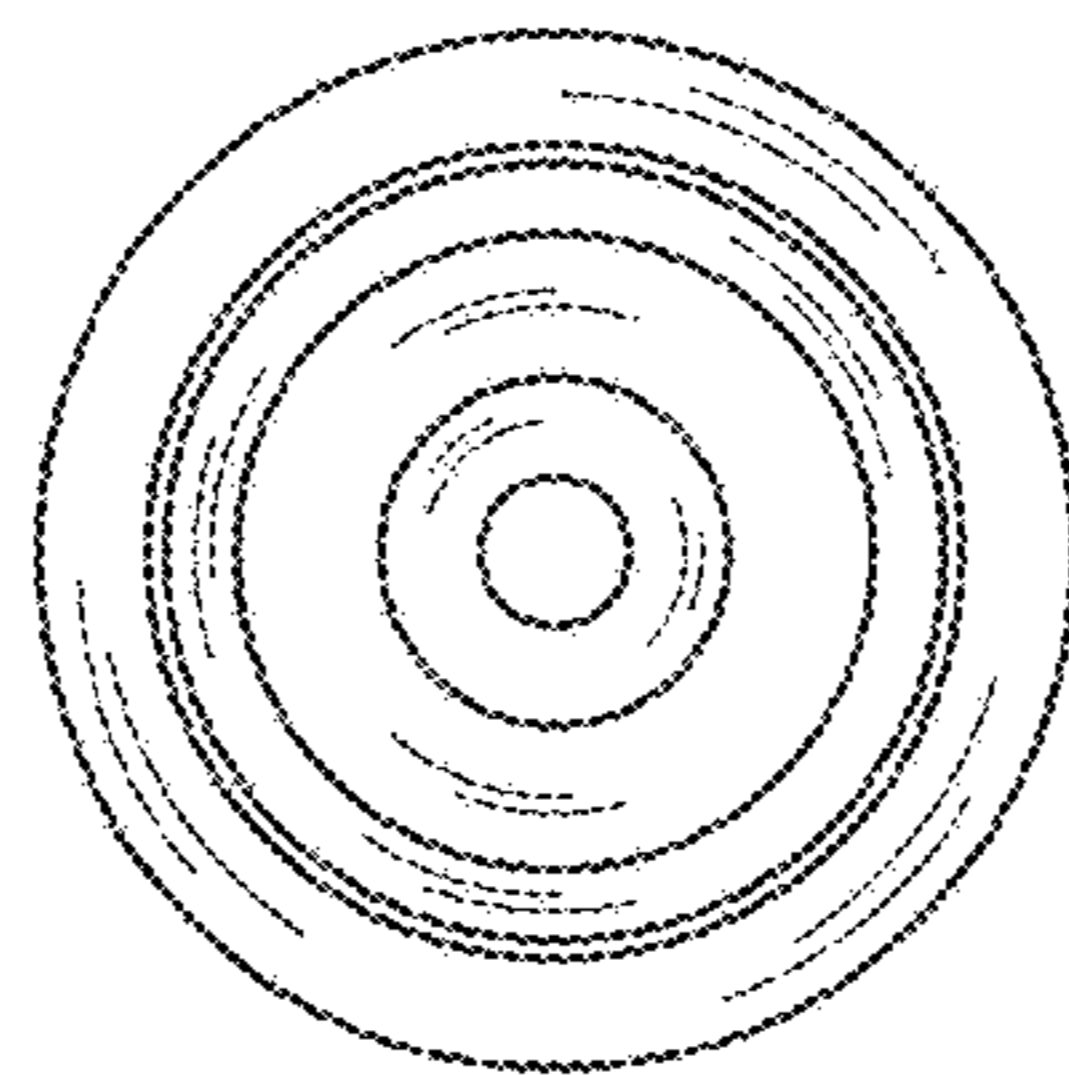


FIG. 3