

US00D826668S

(12) **United States Design Patent** (10) **Patent No.:** **US D826,668 S**
Tasic et al. (45) **Date of Patent:** **** Aug. 28, 2018**

(54) **POWER TOOL HANDLE PORTION**

(71) Applicant: **Robert Bosch GmbH**, Stuttgart (DE)

(72) Inventors: **Zoran Tasic**, Esslingen (DE); **Vincent Hasenmayer**, Stuttgart-Möhringen (DE)

(73) Assignee: **Robert Bosch GmbH**, Stuttgart (DE)

(**) Term: **15 Years**

(21) Appl. No.: **29/572,457**

(22) Filed: **Jul. 28, 2016**

(30) **Foreign Application Priority Data**

Feb. 15, 2016 (EM) 002986455

(51) **LOC (11) Cl.** **08-05**

(52) **U.S. Cl.**
USPC **D8/68**

(58) **Field of Classification Search**
USPC D8/61, 67, 68
CPC B62D 23/005; B62D 29/00; B62D 29/043;
B62D 31/00; B62D 33/046; B62D 35/00;
B62D 35/001; B60Q 1/0005
See application file for complete search history.

(56) **References Cited**

U.S. PATENT DOCUMENTS

- D587,545 S * 3/2009 Hayakawa D8/68
- D605,015 S * 12/2009 Aglassinger D8/68
- D605,484 S * 12/2009 Aglassinger D8/68
- D605,485 S * 12/2009 Aglassinger D8/68
- D608,174 S * 1/2010 Wright D8/68

(Continued)

Primary Examiner — Darlington Ly

(74) *Attorney, Agent, or Firm* — Maginot, Moore & Beck LLP

(57) **CLAIM**

The ornamental design for a power tool handle portion, as shown and described.

DESCRIPTION

Cross reference is made to copending U.S. design patent application Ser. No. 29/572,460 entitled “Power Tool Handle Portion” by Tasic et al. filed on even date herewith. FIG. 1 is a perspective view of a power tool including a first embodiment of a power tool handle portion showing our new design;

FIG. 2 is an enlarged front elevational view of the power tool handle portion of FIG. 1;

FIG. 3 is an enlarged left side elevational view of the power tool handle portion of FIG. 1; and

FIG. 4 is an enlarged right side elevational view of the power tool handle portion of FIG. 1.

FIG. 5 is a perspective view of a power tool including a second embodiment of a power tool handle portion showing our new design;

FIG. 6 is a front elevational view showing the power tool handle portion of FIG. 5;

FIG. 7 is a left side elevational view showing the power tool handle portion of FIG. 5;

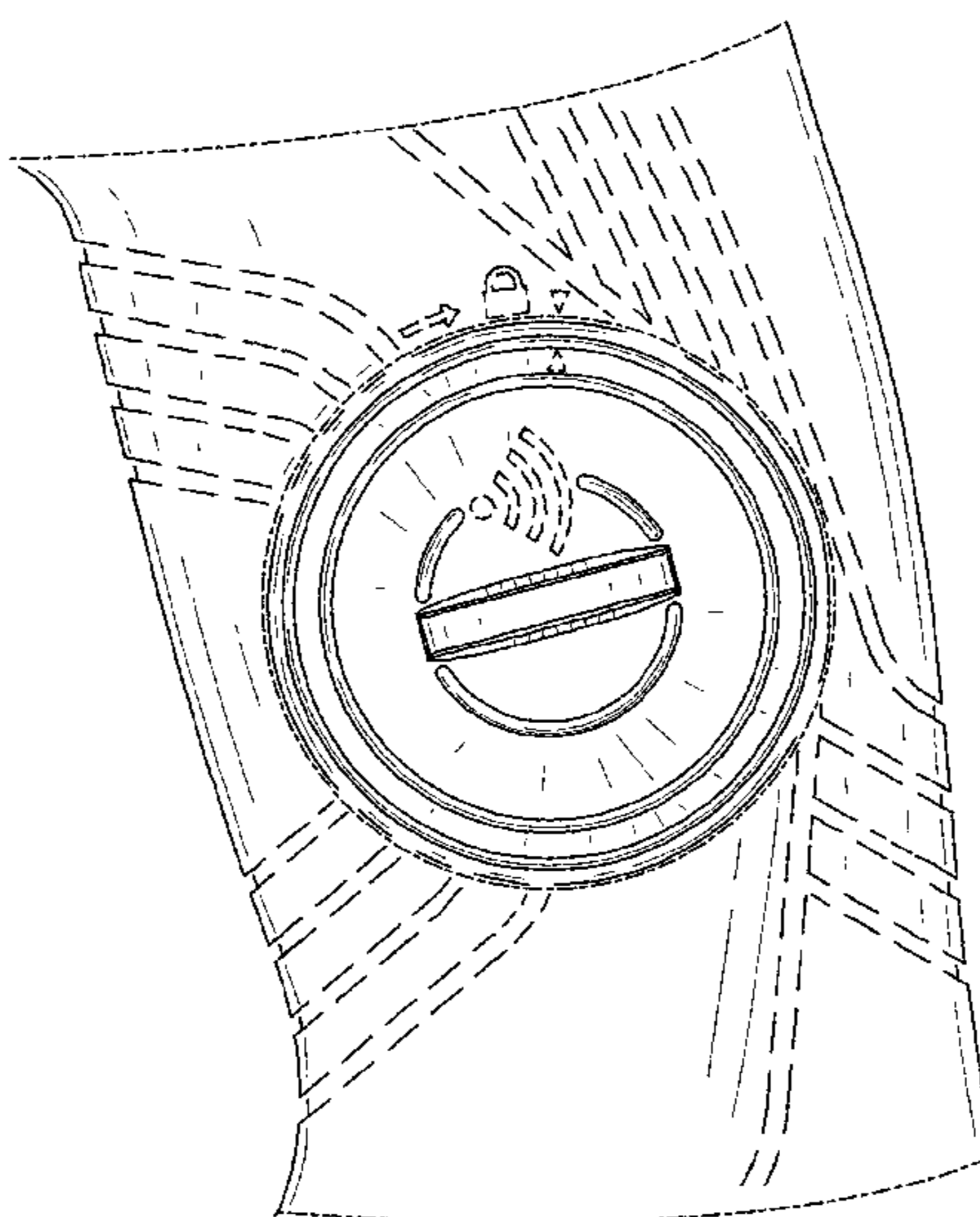
FIG. 8 is a right side elevational view showing the power tool handle portion of FIG. 5;

FIG. 9 is an enlarged front elevational view of the power tool handle portion of FIG. 5; and,

FIG. 10 is an enlarged right side elevational view of the power tool handle portion of FIG. 5.

The broken lines shown in the drawings illustrate portions of the power tool handle portion that form no part of the claimed design. The dash-dot-dash lines of FIGS. 1-10 identify boundaries of the claimed design and form no part of the claimed design. The circular dash-dot-lines of FIGS. 2 and 9 are applicable to each corresponding figure, but are only shown in FIGS. 2 and 9. The rear side, top side, and bottom side of the first and second embodiments of the power tool handle portion form no part of the claimed design.

1 Claim, 10 Drawing Sheets



(56)

References Cited

U.S. PATENT DOCUMENTS

| | | | |
|--------------|---------|---------------|----------------------|
| D610,424 S * | 2/2010 | Wright | D8/68 |
| D610,425 S * | 2/2010 | Wright | D8/68 |
| D618,528 S * | 6/2010 | Stirm | D8/68 |
| D628,454 S * | 12/2010 | Misaki | D8/68 |
| D628,455 S * | 12/2010 | Misaki | D8/68 |
| D628,869 S * | 12/2010 | Misaki | D8/68 |
| D645,316 S * | 9/2011 | Murray | D8/68 |
| D685,244 S * | 7/2013 | Tirone | D8/68 |
| D705,631 S * | 5/2014 | Waldron | B25G 1/102 D8/107 |
| D775,920 S * | 1/2017 | Tirone | D8/68 |

* cited by examiner

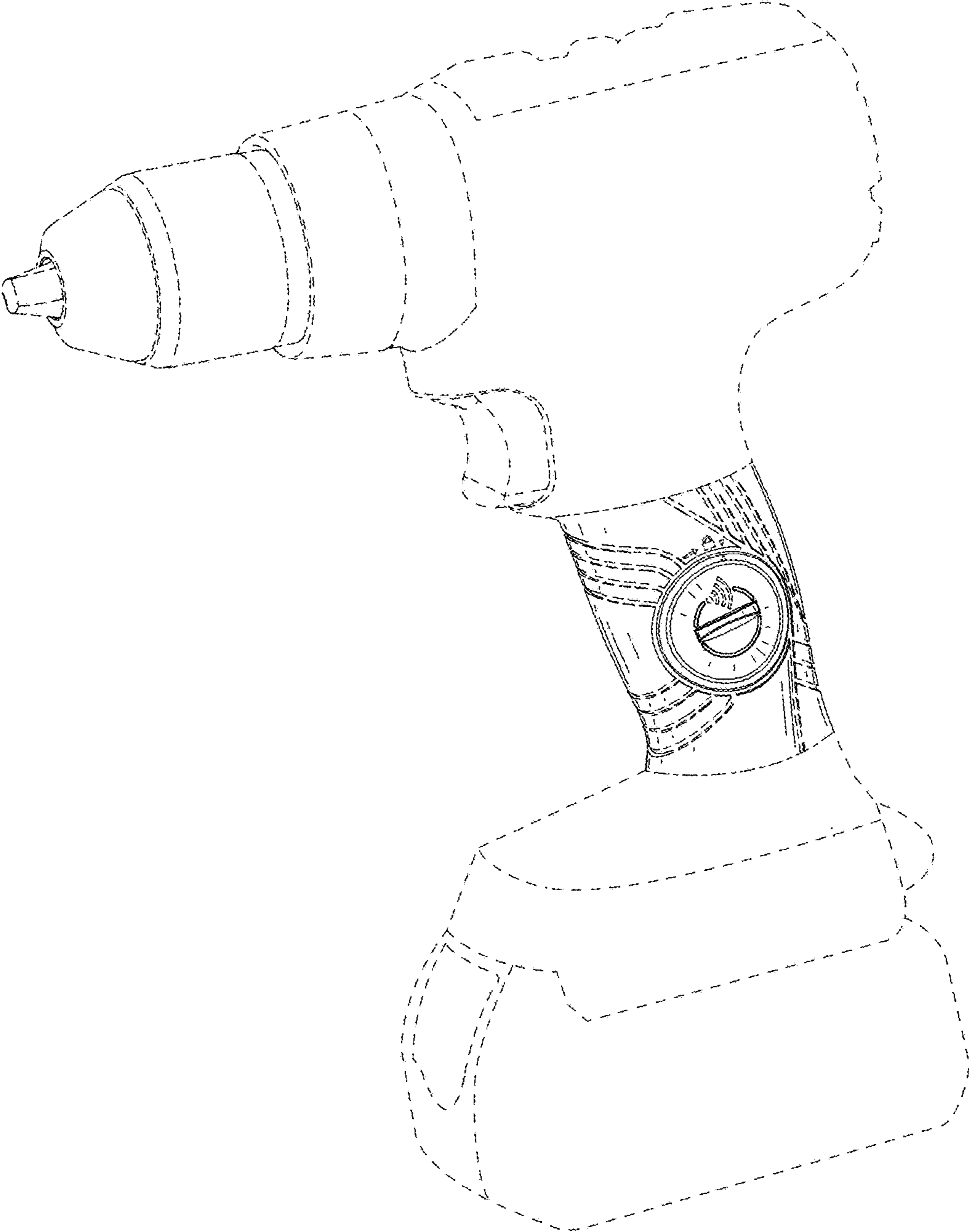


FIG. 1

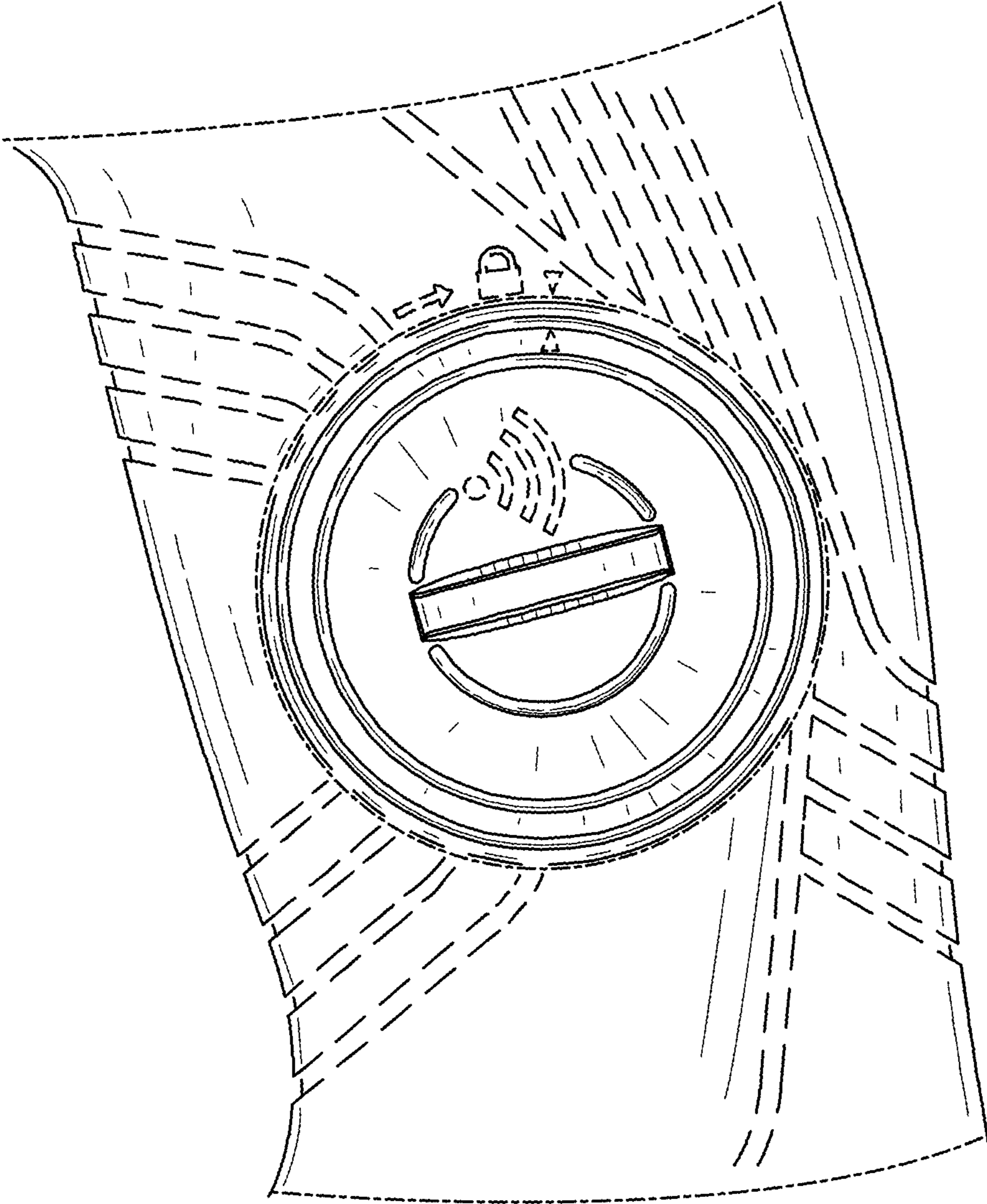


FIG. 2

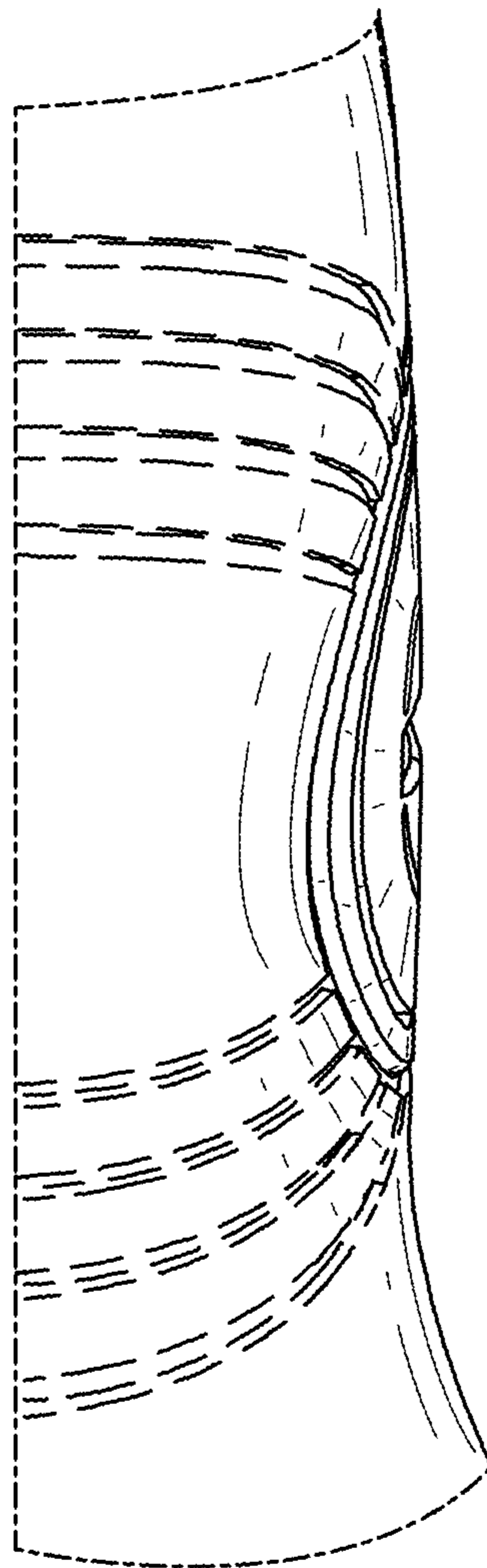


FIG. 3

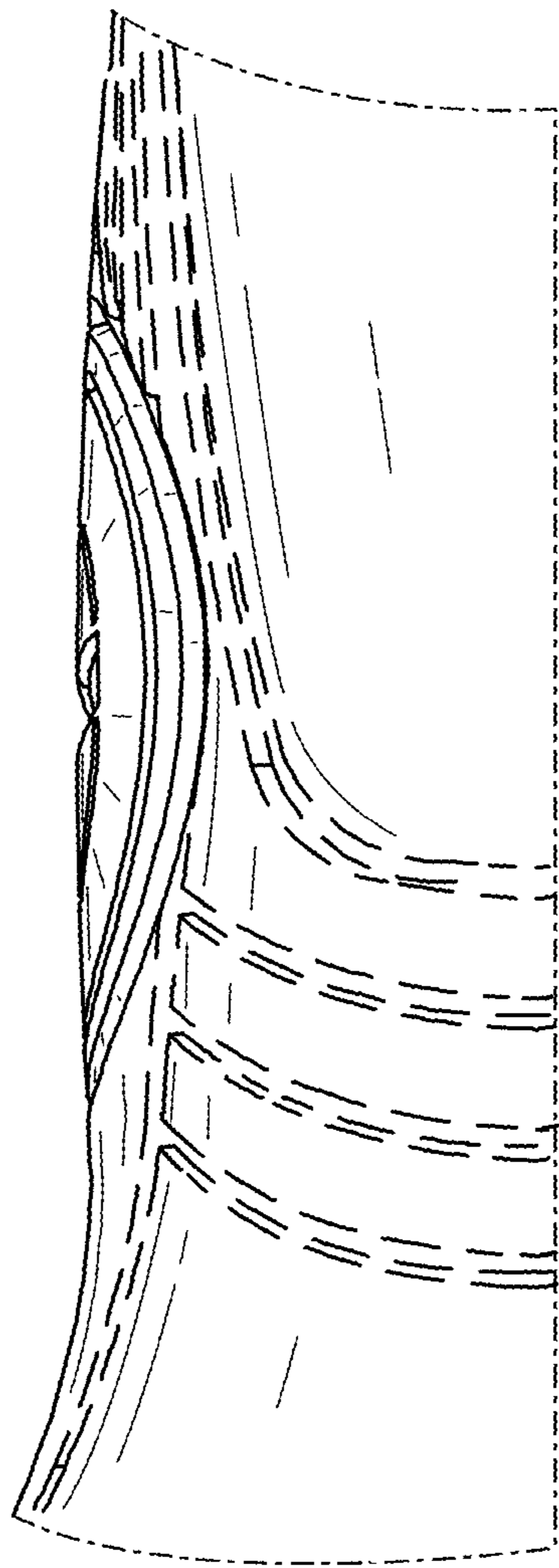


FIG. 4

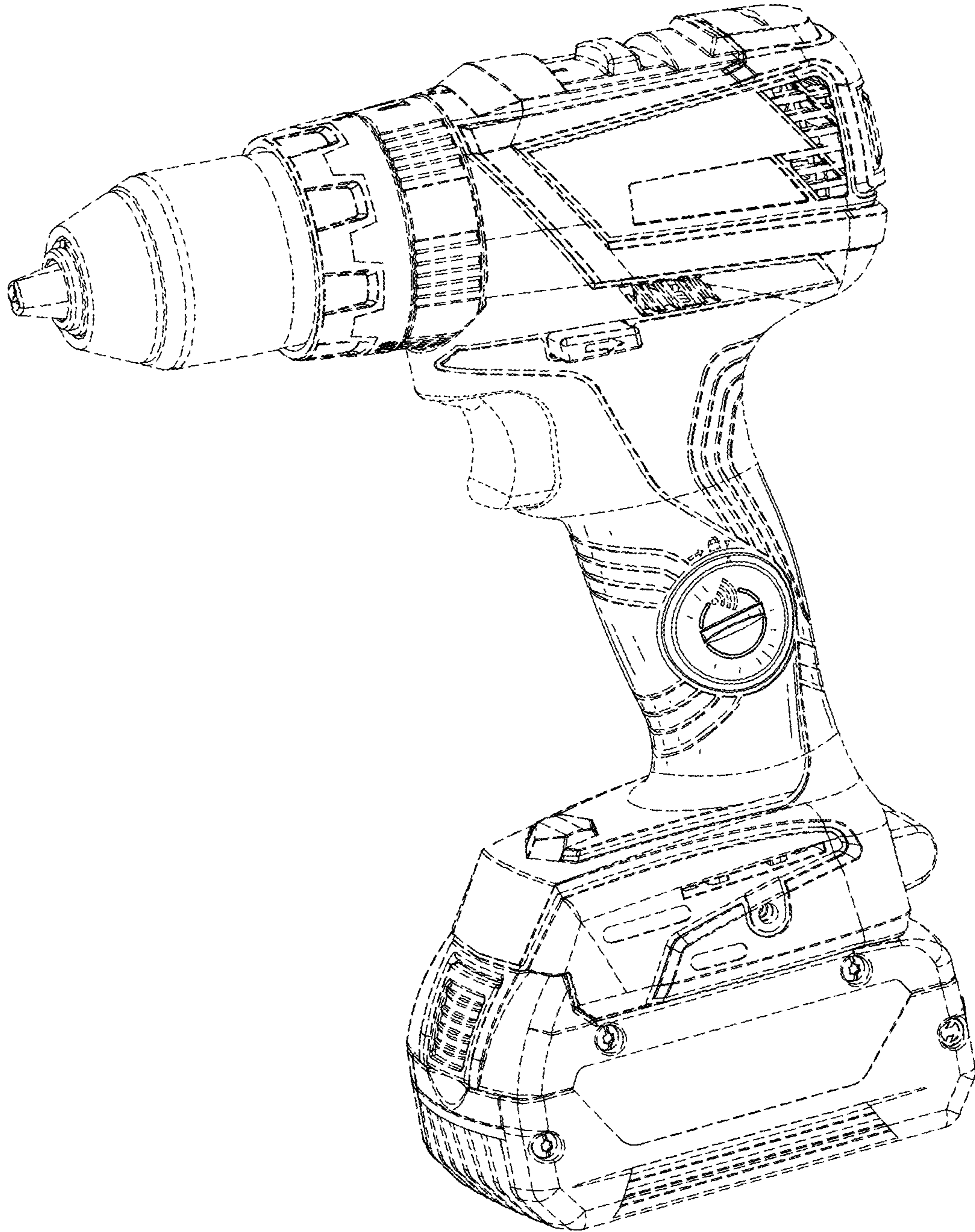


FIG. 5

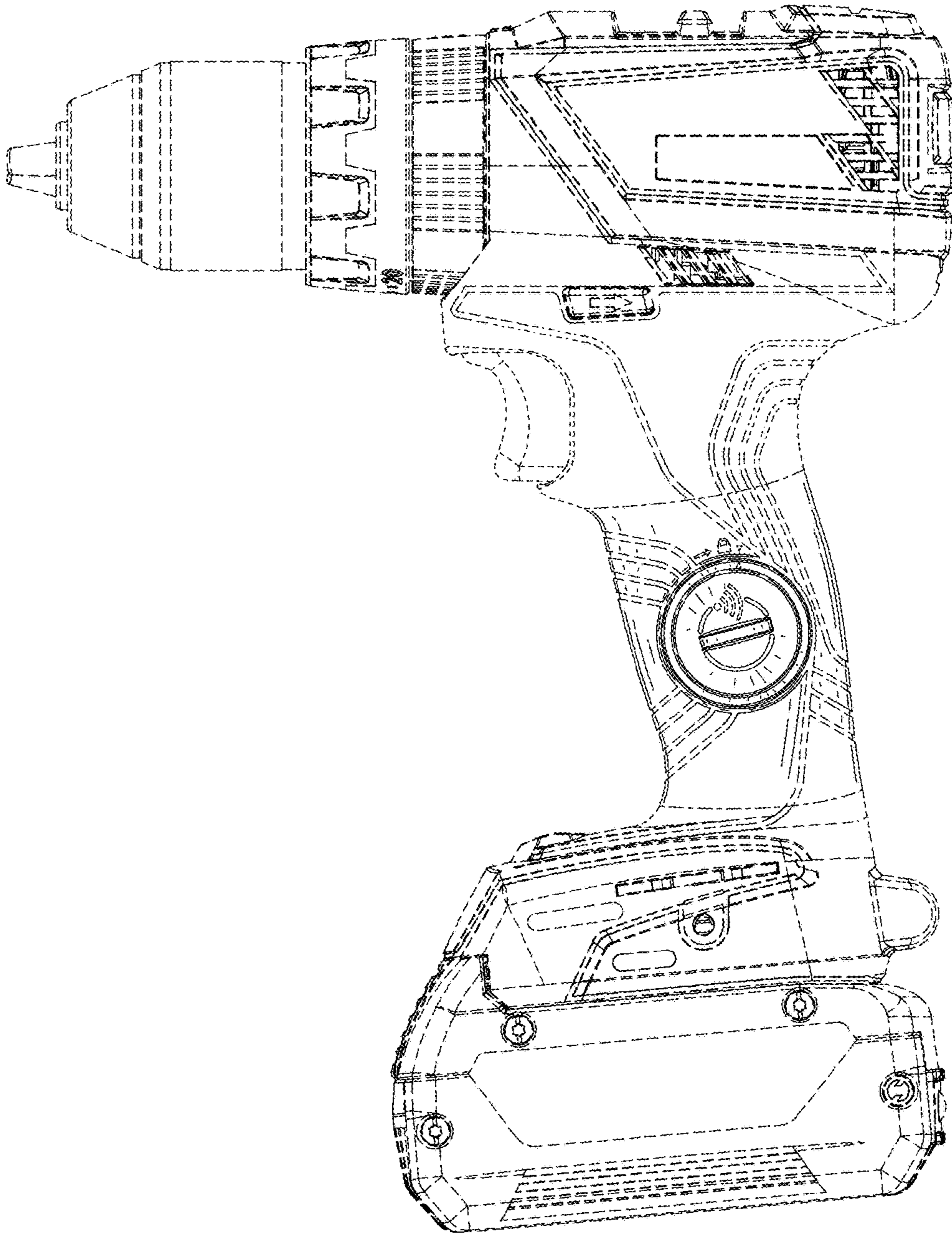


FIG. 6

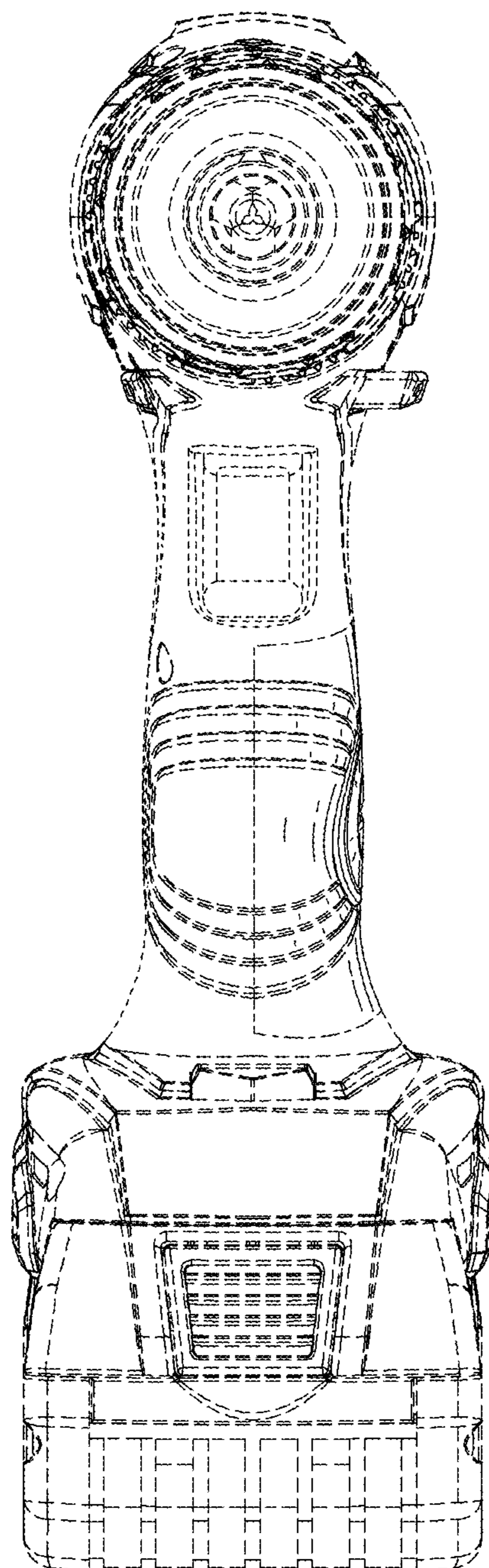


FIG. 7

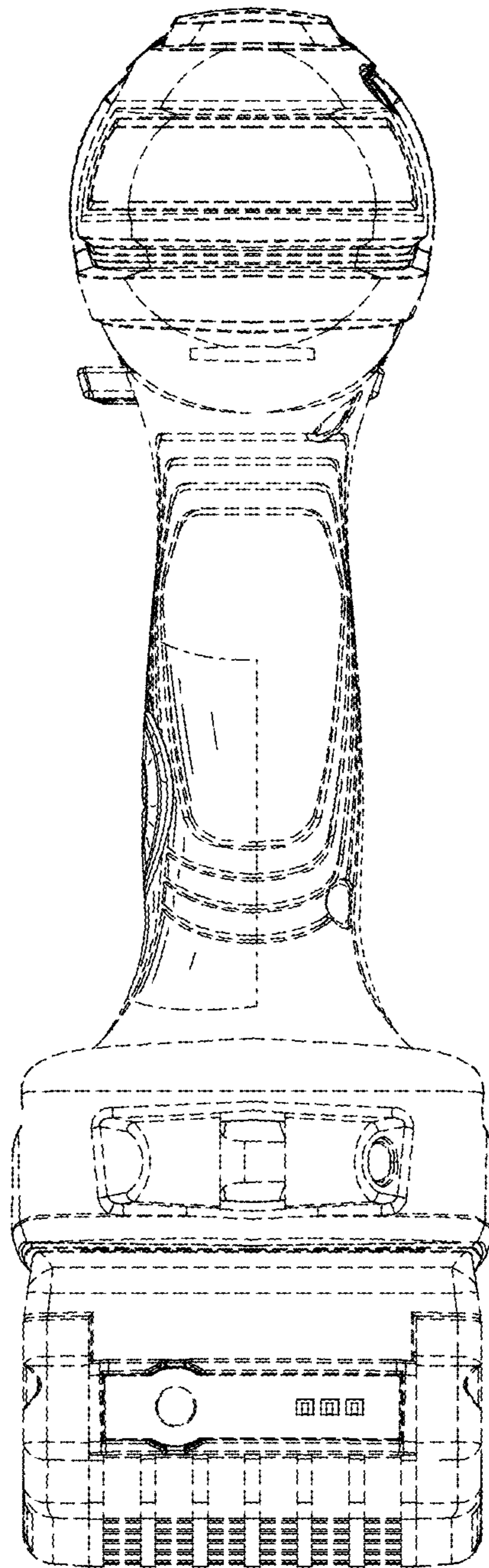


FIG. 8

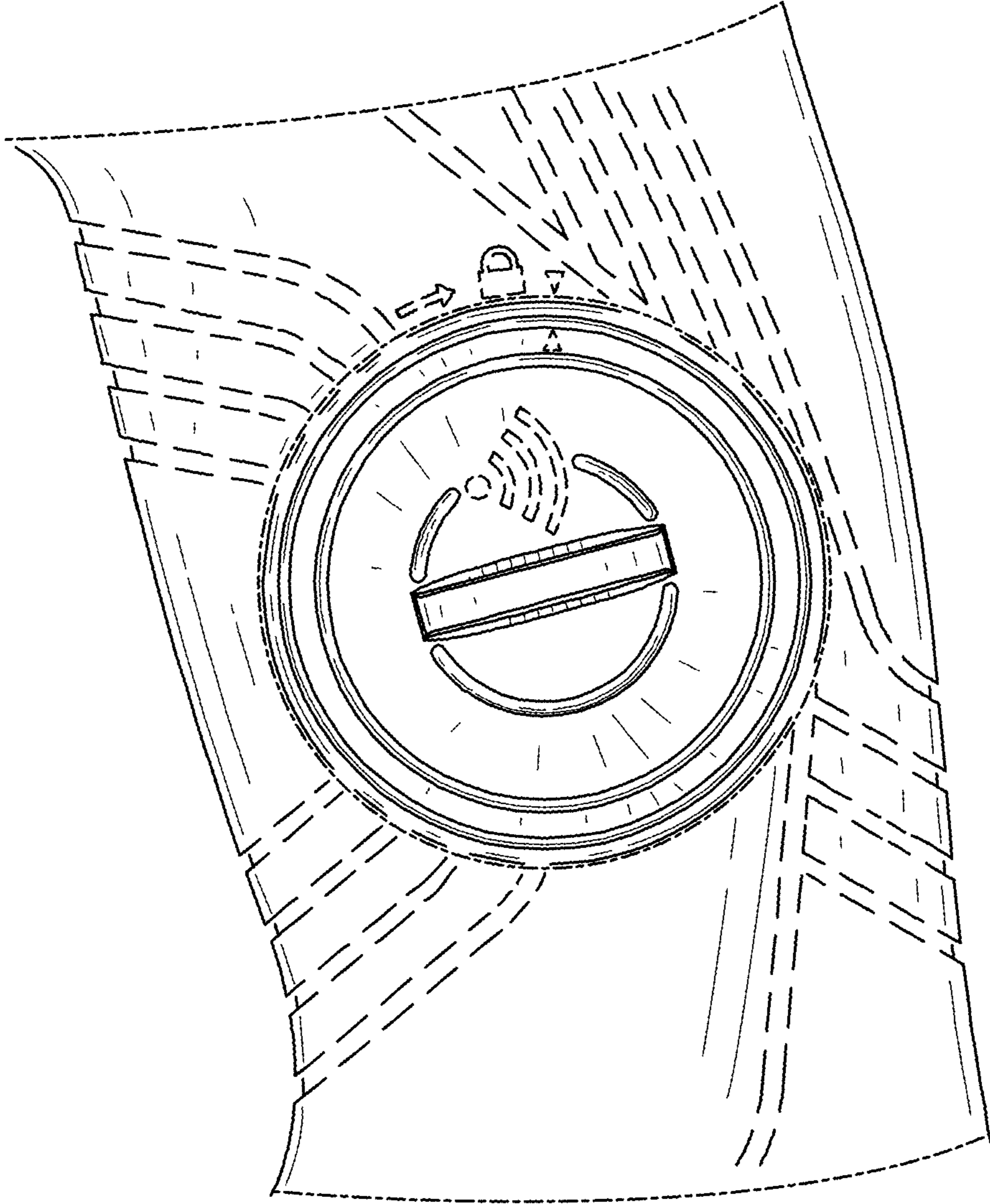


FIG. 9

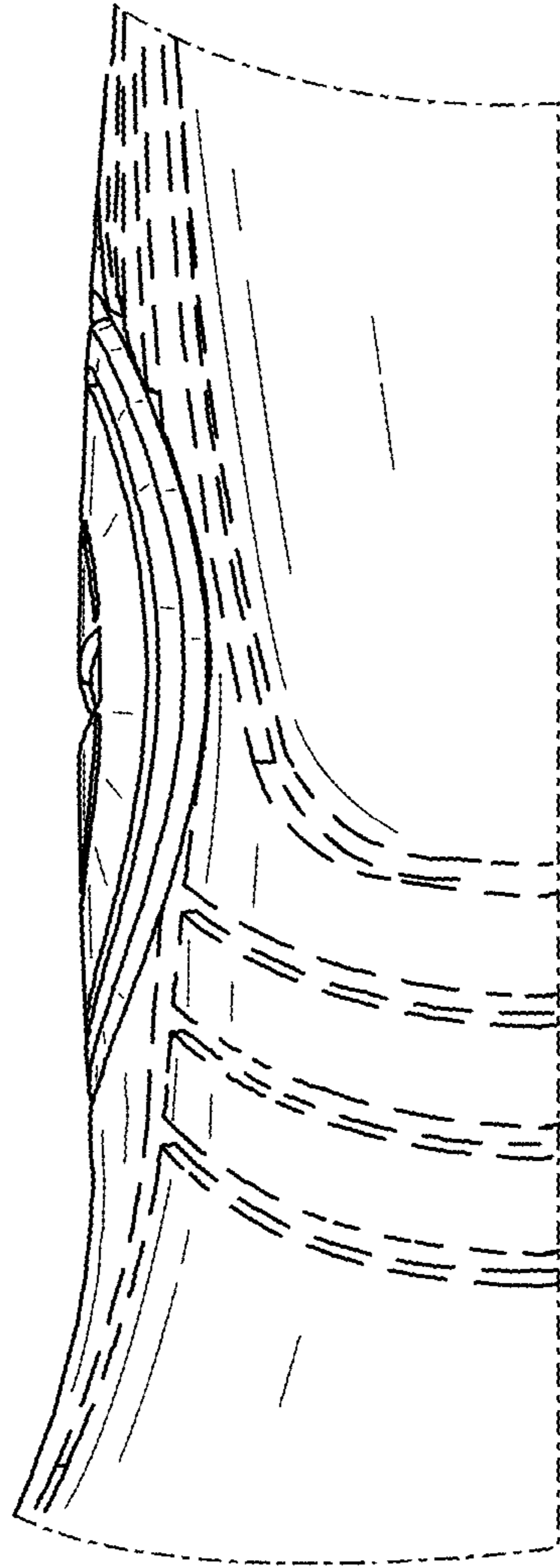


FIG. 10