



US00D826667S

(12) **United States Design Patent** (10) **Patent No.:** **US D826,667 S**
Skeuse et al. (45) **Date of Patent:** **** Aug. 28, 2018**

- (54) **KNIFE SHARPENER**
- (71) Applicant: **DaVinci II CSJ, LLC**, Fairfield, NJ (US)
- (72) Inventors: **Kevin Skeuse**, Stockton, NJ (US); **Damian Mucaro**, Hackensack, NJ (US); **Yun Pan**, Shenzen (CN); **Robert Fox**, Morris Plains, NJ (US)
- (73) Assignee: **DaVinci II CSJ, LLC**, Fairfield, NJ (US)
- (**) Term: **15 Years**
- (21) Appl. No.: **29/615,779**
- (22) Filed: **Aug. 31, 2017**
- (51) **LOC (11) Cl.** **08-05**
- (52) **U.S. Cl.**
USPC **D8/63; D8/61**
- (58) **Field of Classification Search**
USPC D8/34, 35, 63, 91, 93; 451/45, 267, 552, 451/555-558; 76/82, 84, 86-89.2; 30/138
CPC B23D 59/04; B23D 63/16; B24B 55/02; B24B 3/58; B23Q 11/10
See application file for complete search history.

D723,898 S *	3/2015	Smith	D8/105
D736,587 S *	8/2015	Cavanaugh	D8/93
D744,803 S *	12/2015	Johnson	D8/93
D745,819 S *	12/2015	Bloch	D8/93
D746,656 S *	1/2016	Smith	D27/141
D760,573 S *	7/2016	Wang	D8/91

OTHER PUBLICATIONS

Brod & Taylor Knife Sharpeners, available at <https://www.colbrookkitchen.com/brod-taylor-knife-sharpeners.html>, accessed on Aug. 11, 2017.
 Arcos Professional Knife Sharpener, available at <https://en.arcos.com/products/complements/sharpeners/968-professional-knife-sharpener/>, accessed on Jul. 11, 2018.

* cited by examiner

Primary Examiner — Austin Murphy
 (74) *Attorney, Agent, or Firm* — Cooper & Dunham LLP

(57) **CLAIM**

The ornamental design for a knife sharpener, as shown and described.

DESCRIPTION

FIG. 1 is a front perspective view of a knife sharpener in accordance with the present design;
 FIG. 2 is a front view thereof;
 FIG. 3 is a back view thereof;
 FIG. 4 is a left side view thereof;
 FIG. 5 is a right side view thereof;
 FIG. 6 is a top view thereof; and,
 FIG. 7 is a bottom view thereof.
 The broken lines represent unclaimed portions of the claimed design and are included for illustrative purposes only and form no part of the claimed design. The shading represents contour of the claimed design.

1 Claim, 4 Drawing Sheets

(56) **References Cited**

U.S. PATENT DOCUMENTS

D499,004 S *	11/2004	Smith	D8/91
6,905,403 B2	6/2005	Stallegger et al.	
7,393,266 B2	7/2008	Stallegger	
D575,130 S *	8/2008	Smith	D8/93
D614,932 S *	5/2010	deBretton Gordon	D8/93
D654,342 S *	2/2012	Cavanaugh, Jr.	D8/93
D680,845 S *	4/2013	Smith	D8/93

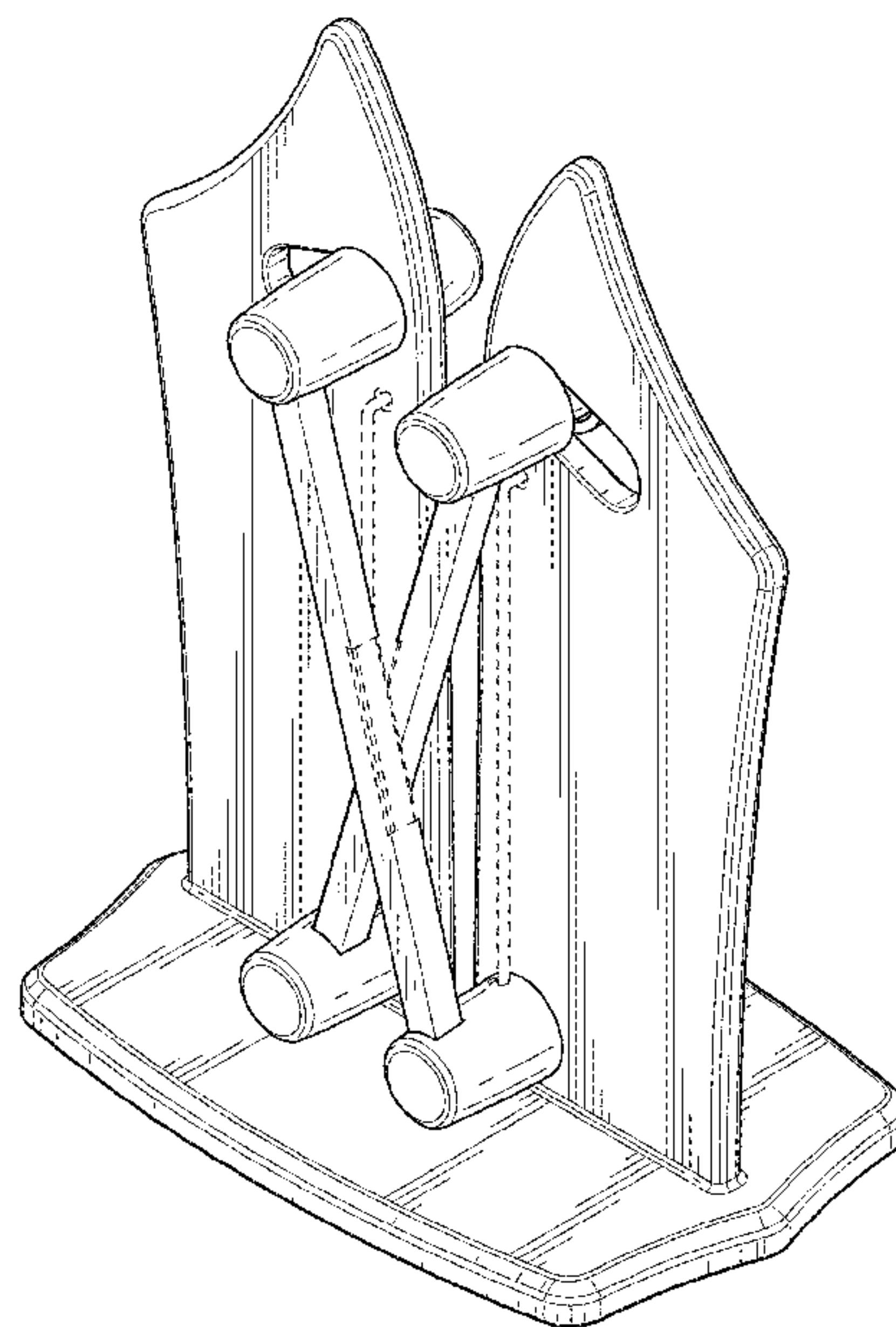


FIG. 1

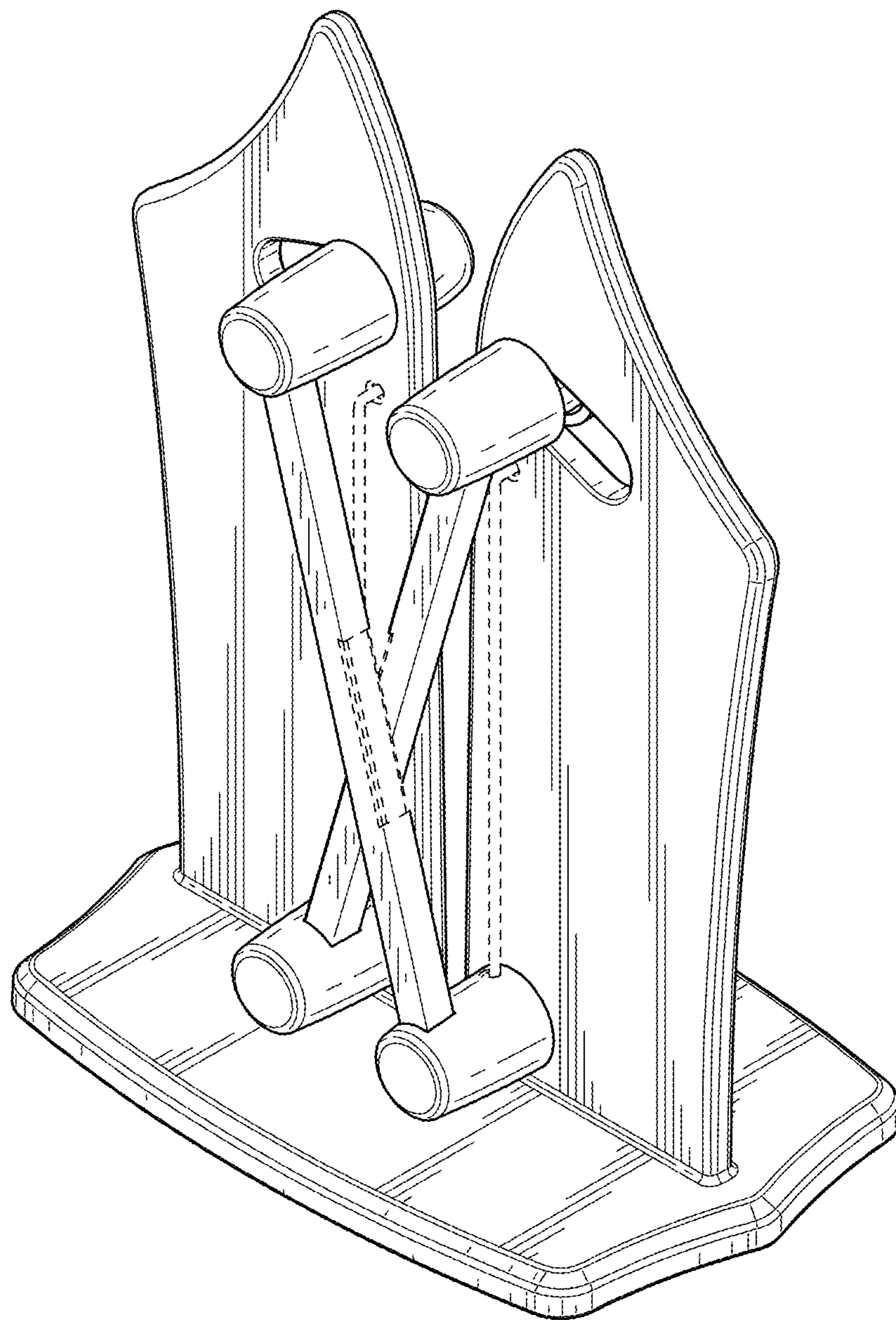


FIG. 3

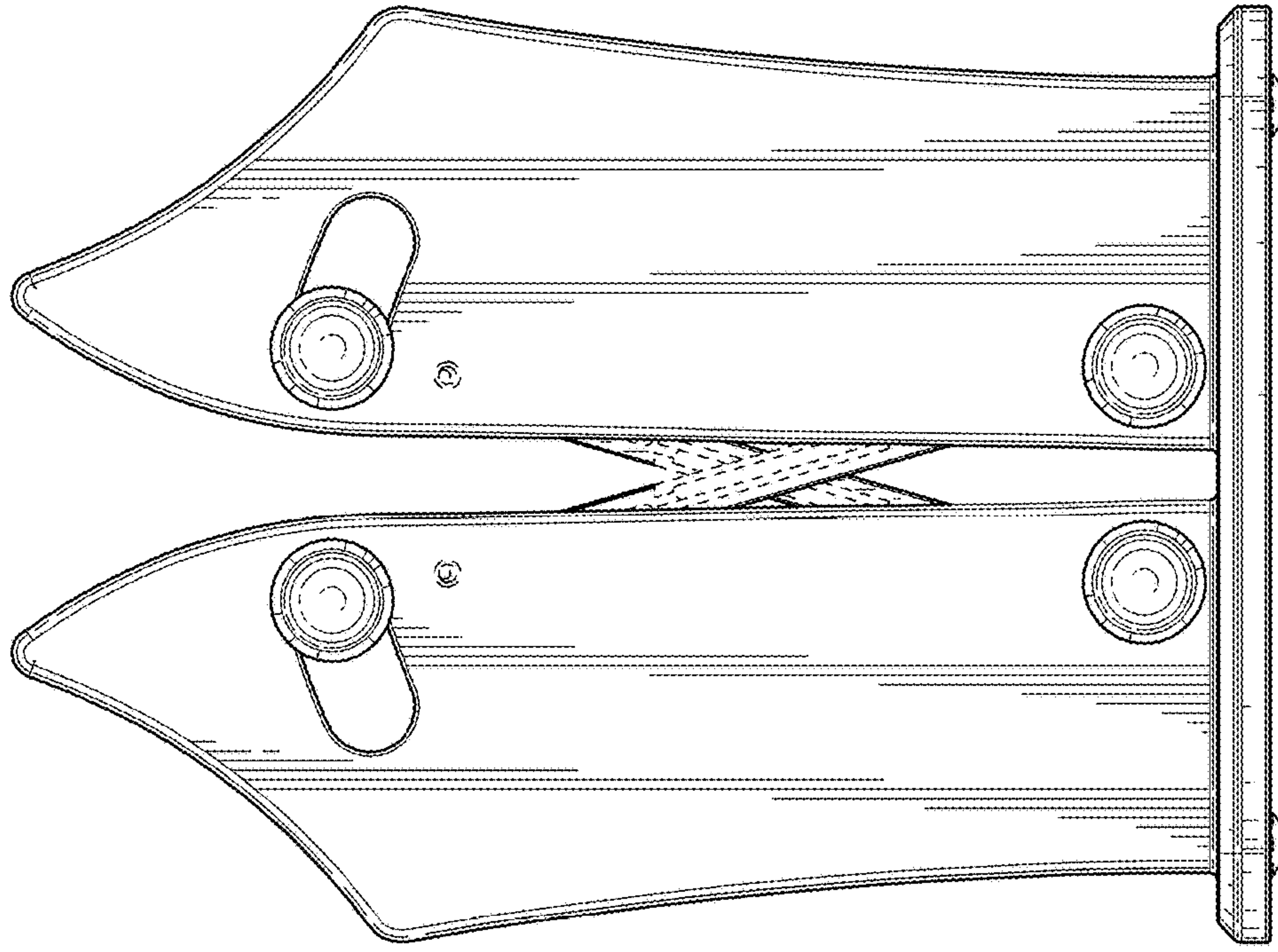


FIG. 2

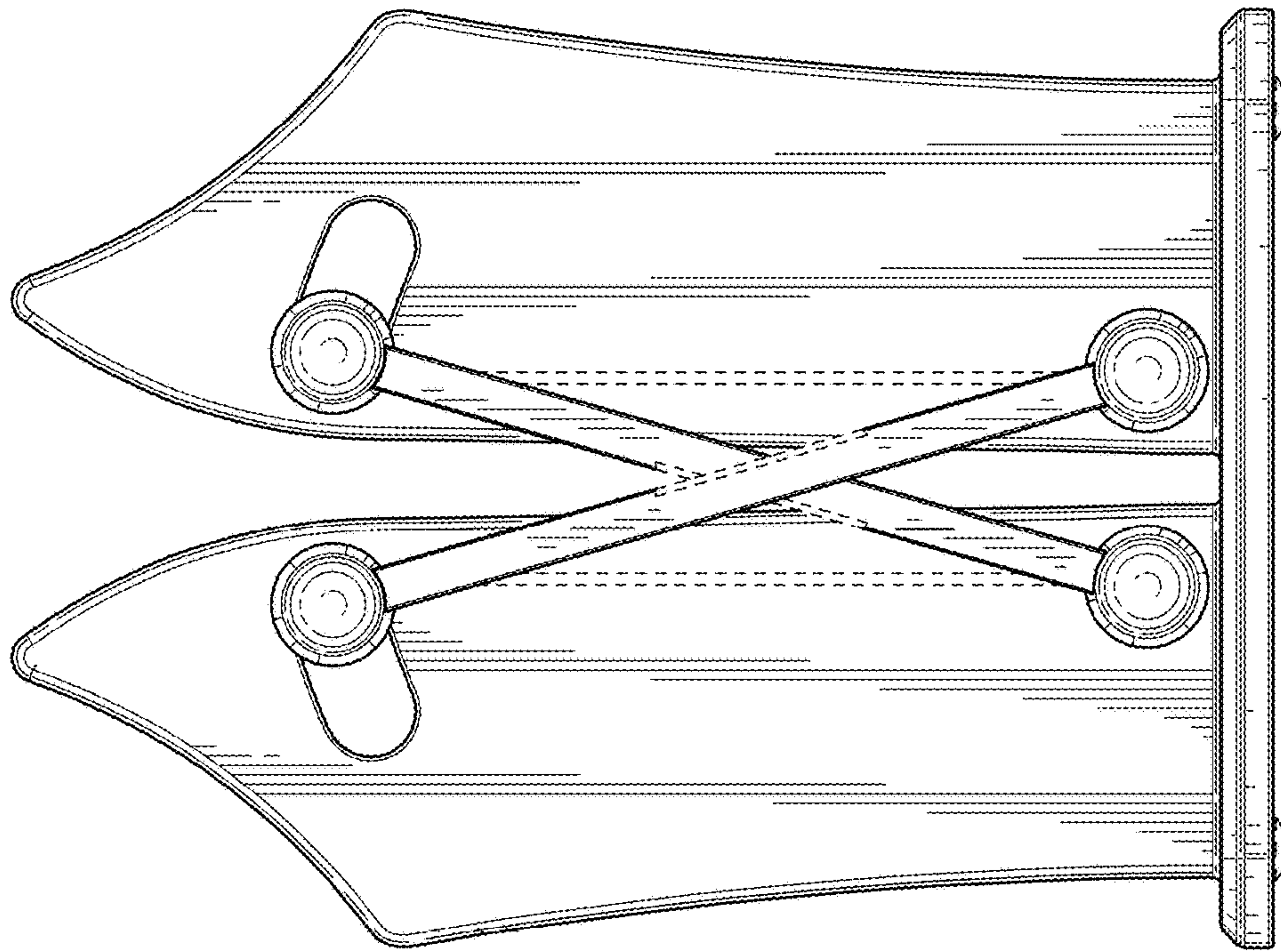


FIG. 4

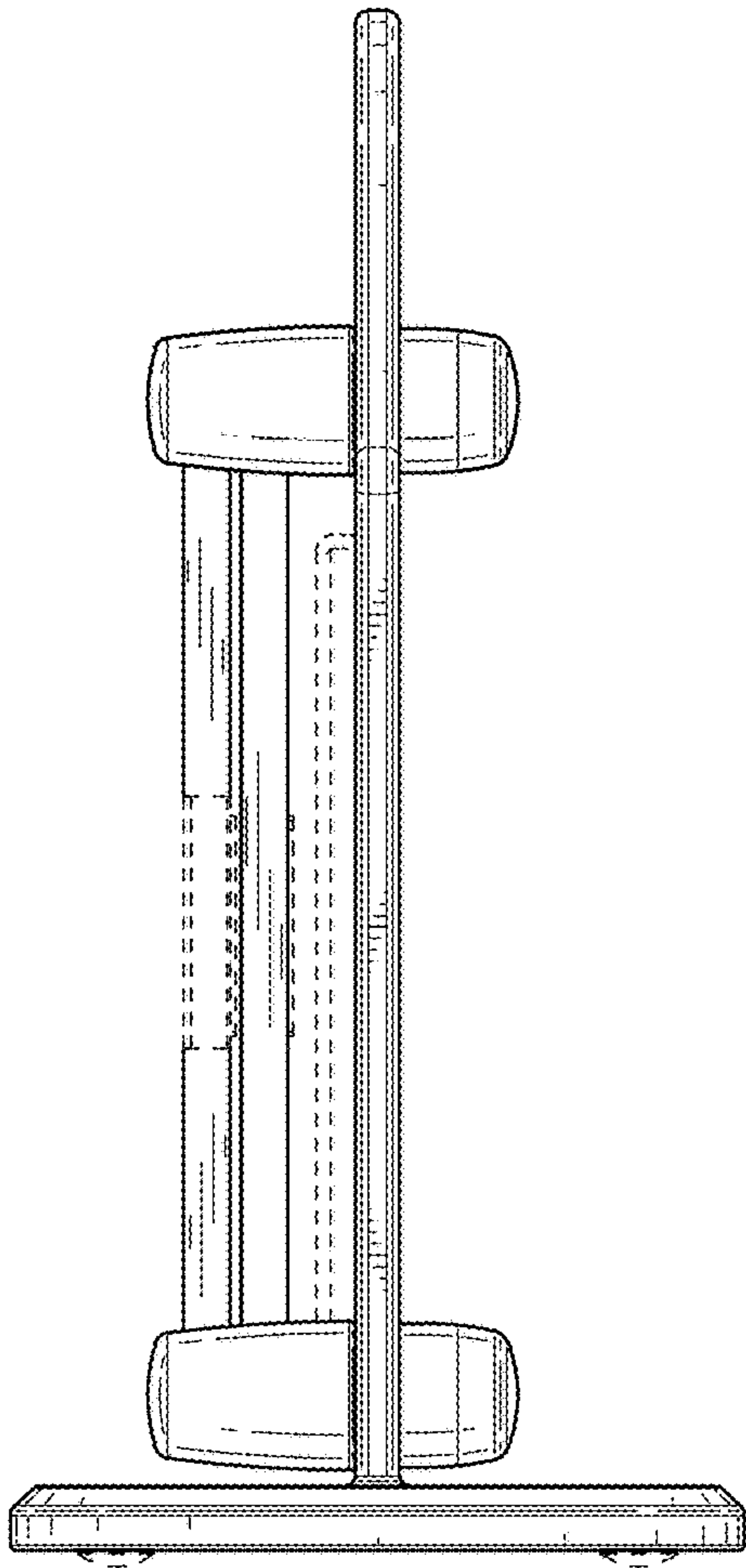


FIG. 5

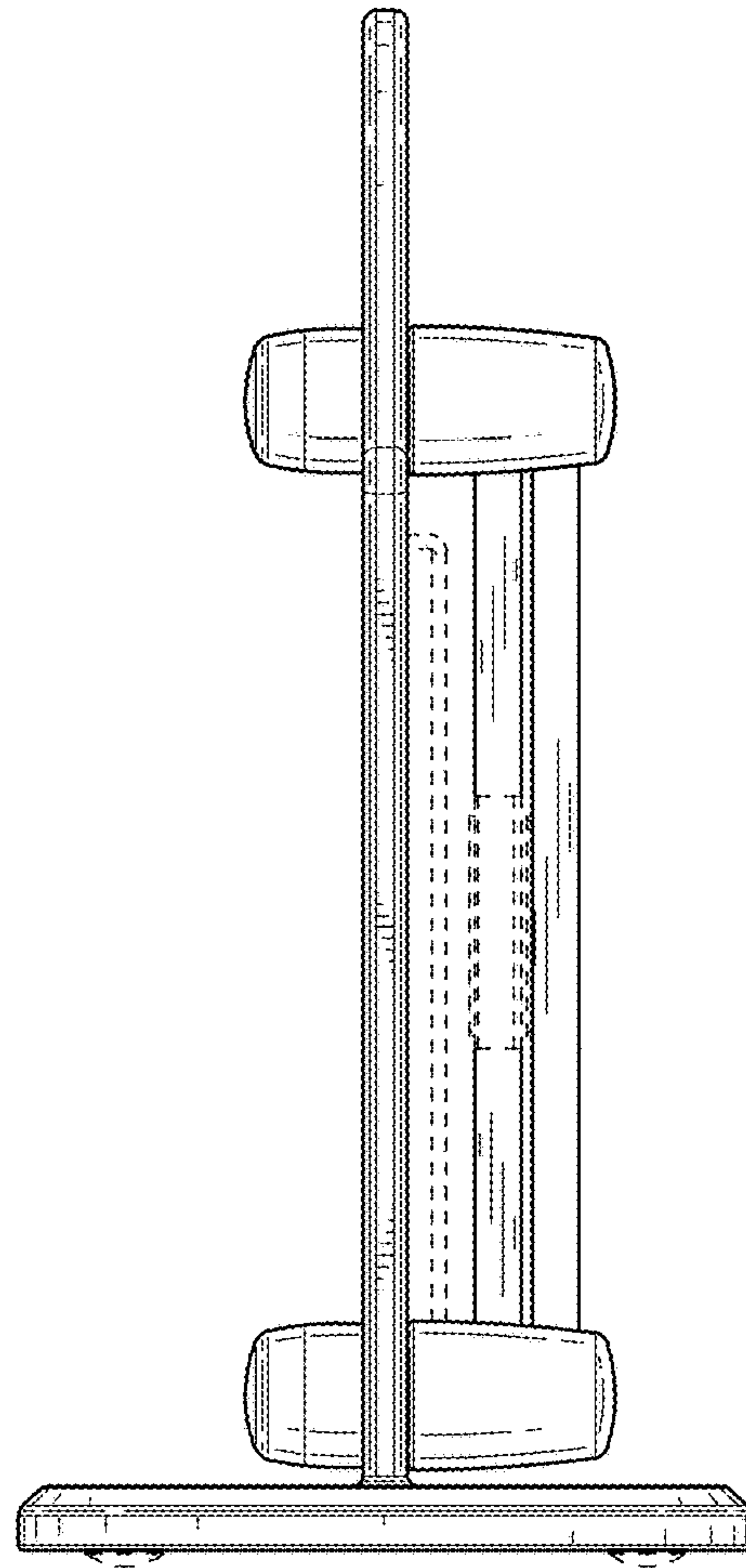


FIG. 6

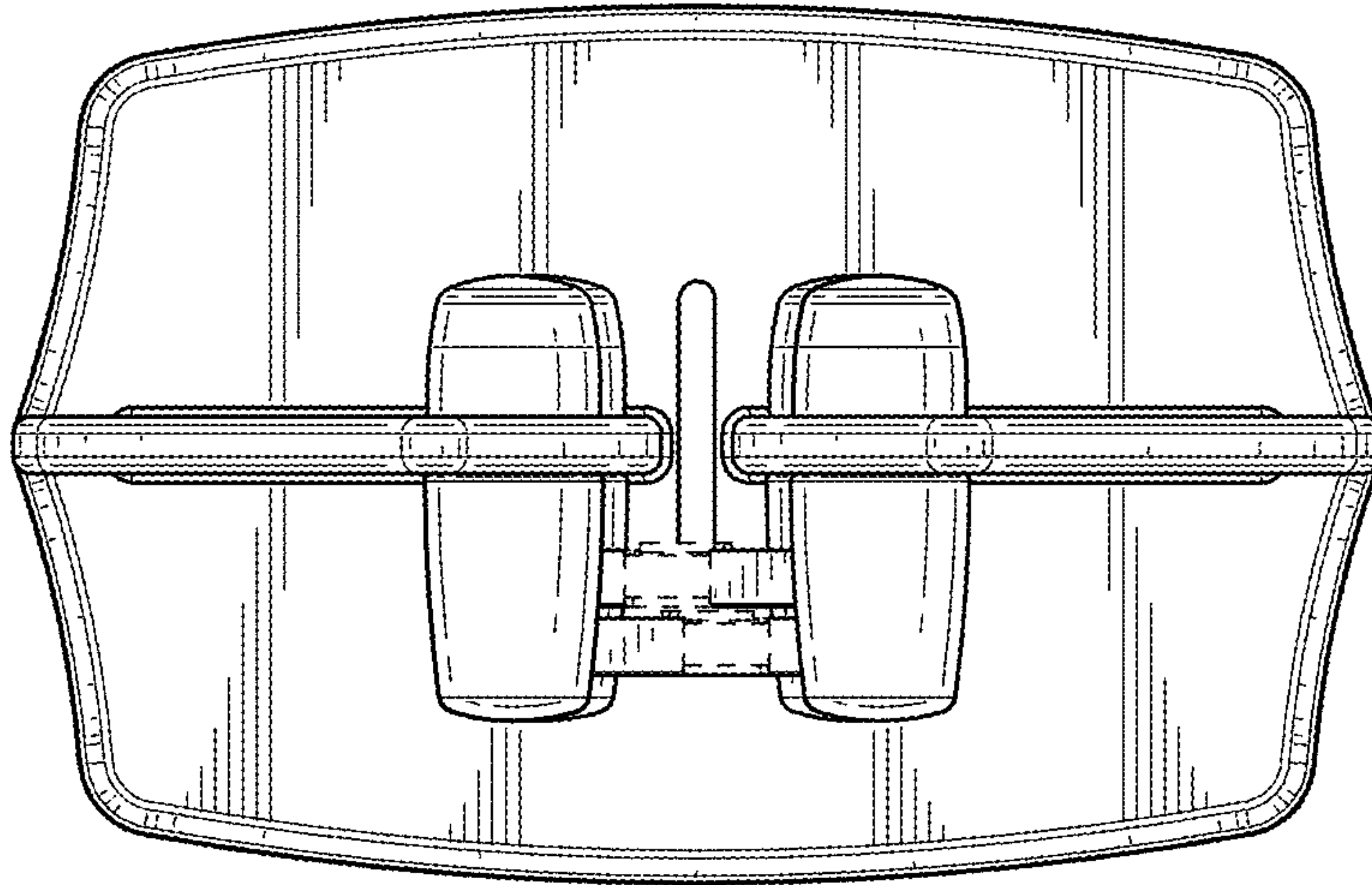


FIG. 7

