



US00D826666S

(12) **United States Design Patent**
Zhang

(10) **Patent No.:** **US D826,666 S**

(45) **Date of Patent:** **** *Aug. 28, 2018**

- (54) **MASONRY CUTTER HAMMER**
- (71) Applicant: **Ruqian Zhang**, Xiaoshan Hangzhou (CN)
- (72) Inventor: **Ruqian Zhang**, Xiaoshan Hangzhou (CN)
- (*) Notice: This patent is subject to a terminal disclaimer.
- (**) Term: **15 Years**
- (21) Appl. No.: **29/616,438**

D419,418 S *	1/2000	Lin	D8/105
D429,987 S *	8/2000	Hung	D8/105
D442,842 S *	5/2001	Jaeyoul	D8/105
D465,711 S *	11/2002	Moore	D8/52
6,701,560 B2 *	3/2004	Foley	B25B 7/02 254/23
D496,244 S *	9/2004	Boydon	D8/75
D503,322 S *	3/2005	Albertson	D8/105
D507,167 S *	7/2005	Richardson	D8/105
D520,829 S *	5/2006	Albertson	D8/26
D560,987 S *	2/2008	Krushlin	D8/49
D561,550 S *	2/2008	Krushlin	D8/49
D562,101 S *	2/2008	Martone	D8/81
D571,172 S *	6/2008	Yu	D8/22

(Continued)

- (22) Filed: **Sep. 6, 2017**
- (51) **LOC (11) Cl.** **08-05**
- (52) **U.S. Cl.**
USPC **D8/55**; D8/75; D8/105
- (58) **Field of Classification Search**
USPC D8/14, 20–23, 26, 29, 32, 40, 41, 51, 52,
D8/55, 56, 58, 59, 64, 66, 75, 81, 88, 98,
D8/99, 100, 105–107, 300, 303, 306, 308,
D8/309, 311, 499; D15/122, 124–127,
D15/131–133, 139, 142, 199;
D18/34.1–34.9, 50, 99; D19/68, 69
CPC B25F 1/00
See application file for complete search history.

(56) **References Cited**

U.S. PATENT DOCUMENTS

D255,539 S *	6/1980	Graham	7/127
D274,032 S *	5/1984	Lai	D8/105
D281,216 S *	11/1985	Cutliff, Jr.	D8/26
4,995,128 A *	2/1991	Montgomery	B25B 7/02 7/127
D322,548 S *	12/1991	Dingman	D8/75
D325,507 S *	4/1992	Gasparetti	D8/105
D326,596 S *	6/1992	Trombetta	D8/55
D334,521 S *	4/1993	Simpson	D8/55
D352,216 S *	11/1994	Liebenthal	D8/26
D356,238 S *	3/1995	Moore	D8/52
D419,050 S *	1/2000	Lin	D8/105

OTHER PUBLICATIONS

Multi-Function Claw Hammer, posted on dhgate.com, earliest review Feb. 19, 2018, no production date given, [online], [site visited Jun. 27, 2018], Available from Internet, URL: <https://www.dhgate.com/product/multi-function-combination-claw-hammer-multipurpose/408747105.html> (Year: 2018).*

Primary Examiner — Melanie H Tung
Assistant Examiner — Fritzgerald L Butac
(74) *Attorney, Agent, or Firm* — Clement Cheng

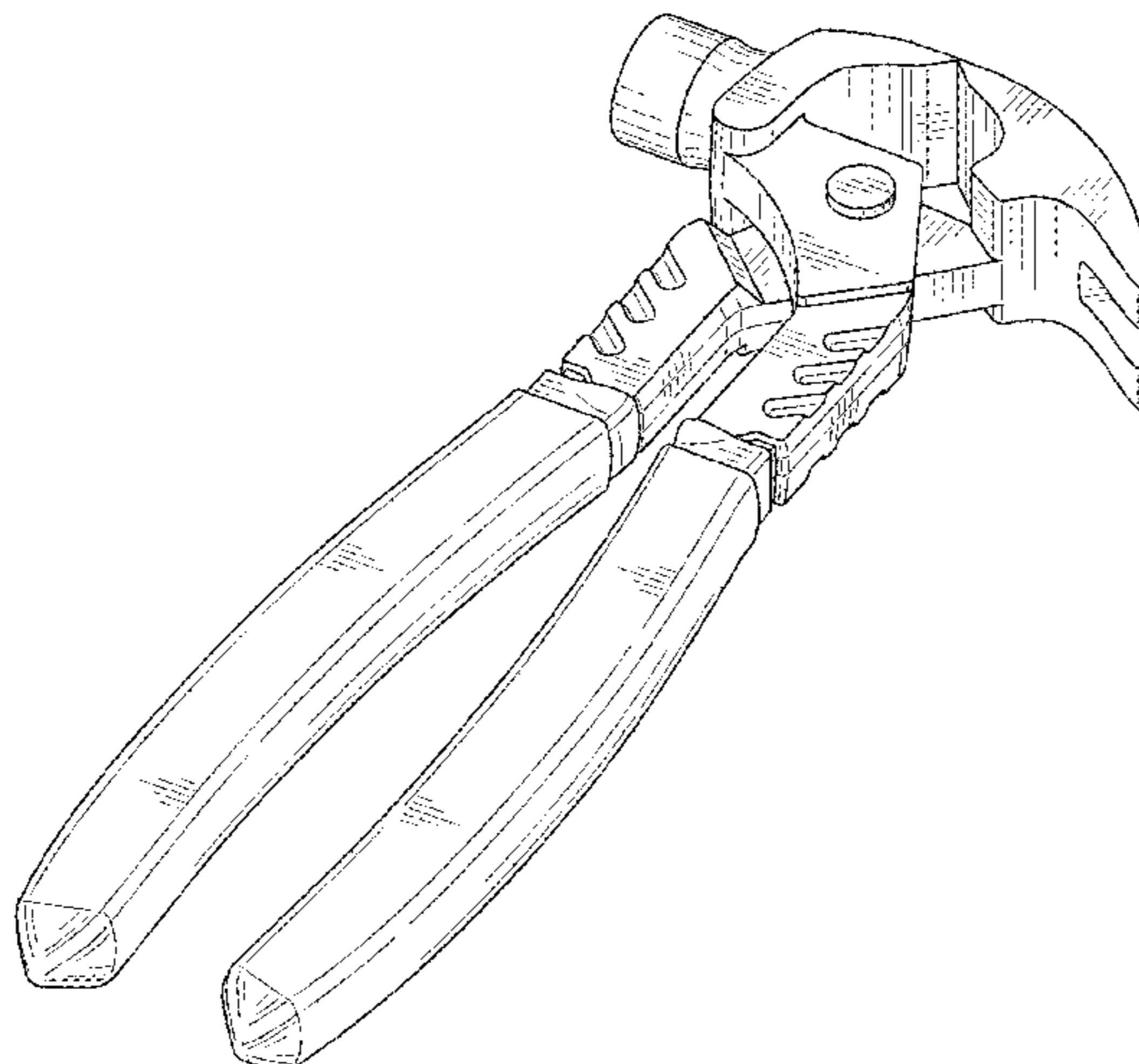
(57) **CLAIM**

The ornamental design for a masonry cutter hammer, as shown and described.

DESCRIPTION

FIG. 1 is a front perspective view.
FIG. 2 is a rear perspective view.
FIG. 3 is a front view.
FIG. 4 is a rear view.
FIG. 5 is a right side view.
FIG. 6 is a left side view.
FIG. 7 is a top view; and,
FIG. 8 is a bottom view.

1 Claim, 6 Drawing Sheets



(56)

References Cited

U.S. PATENT DOCUMENTS

D626,811 S *	11/2010	Thompson	D8/55
D634,598 S *	3/2011	Powley	D8/52
D680,402 S *	4/2013	Descombes	D8/75
D707,514 S *	6/2014	Peirce	D8/51
8,776,647 B2 *	7/2014	Farrell	A62C 33/00 7/117
D724,406 S *	3/2015	Dierolf	D8/81
D770,251 S *	11/2016	Berglund	D8/21

* cited by examiner

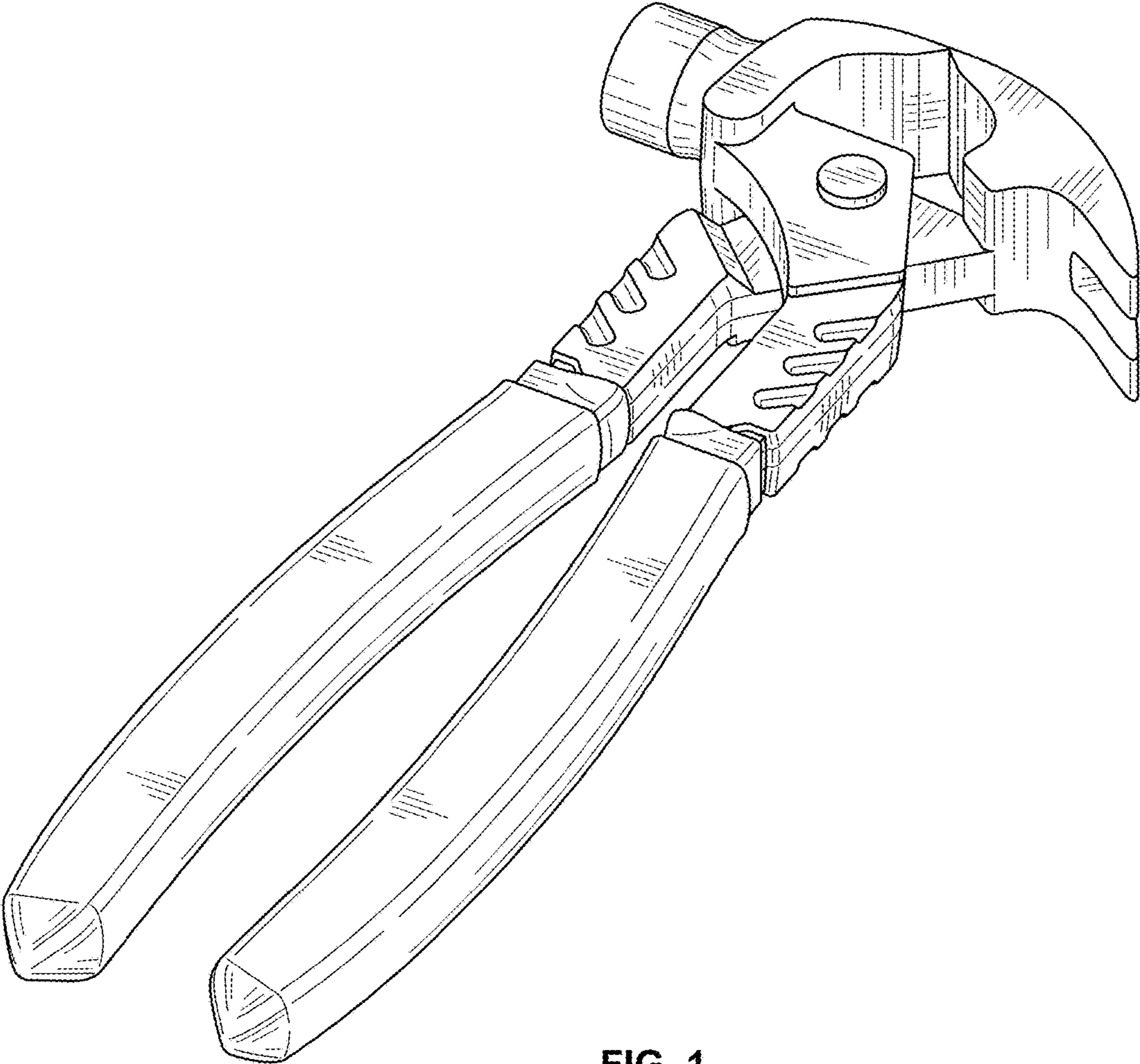


FIG. 1

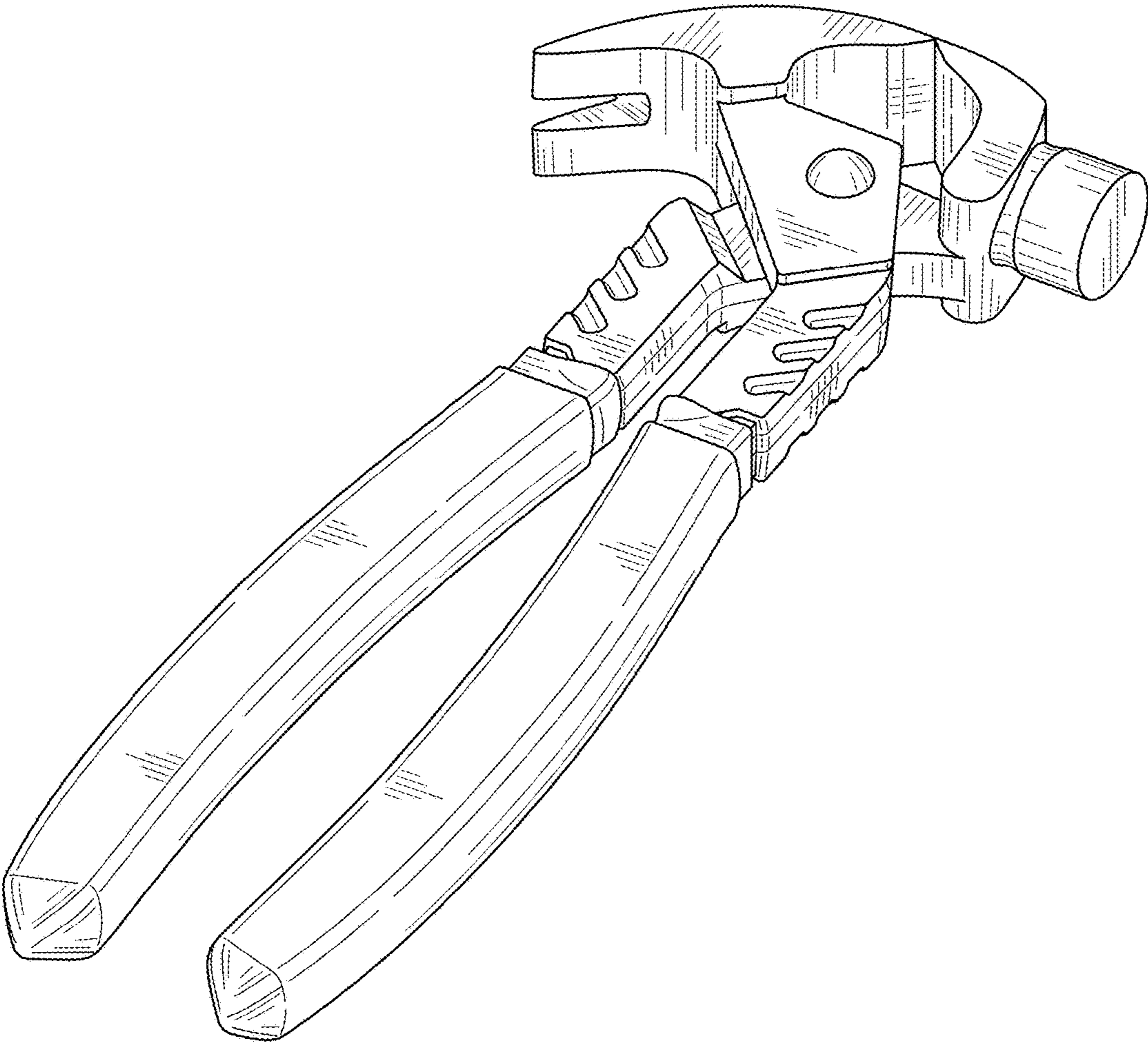


FIG. 2

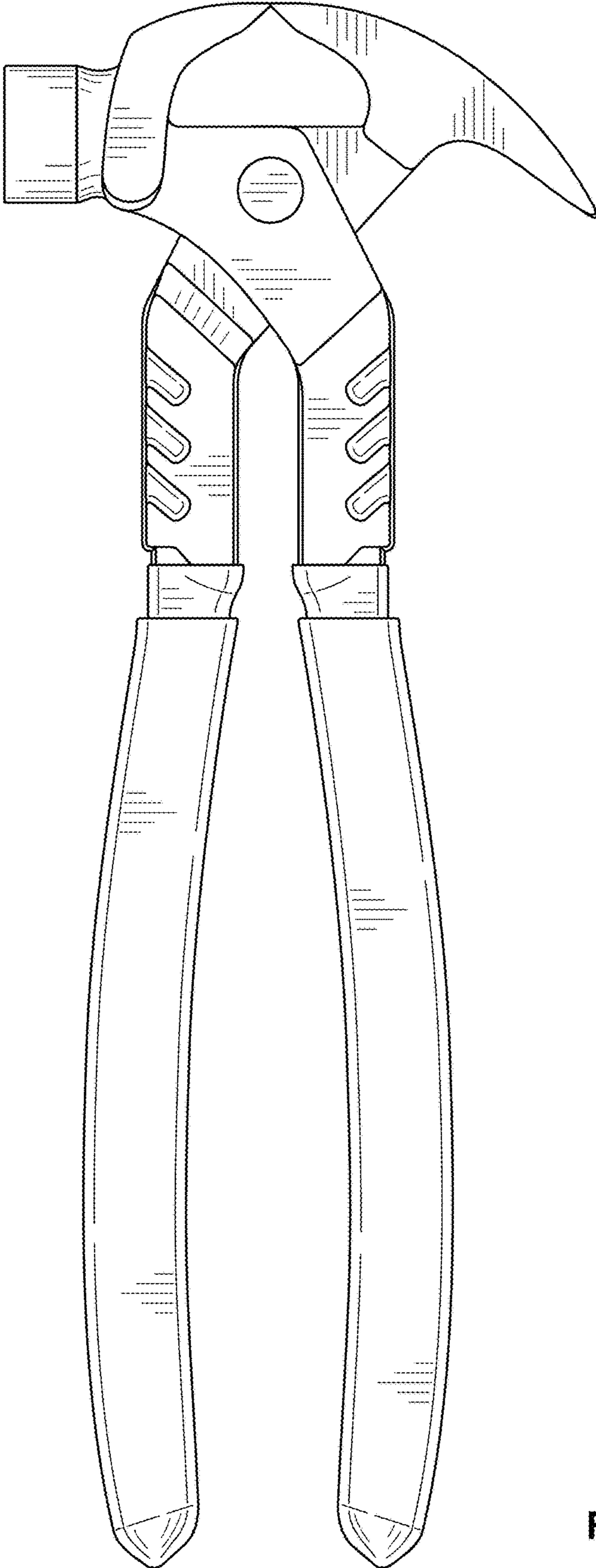


FIG. 3

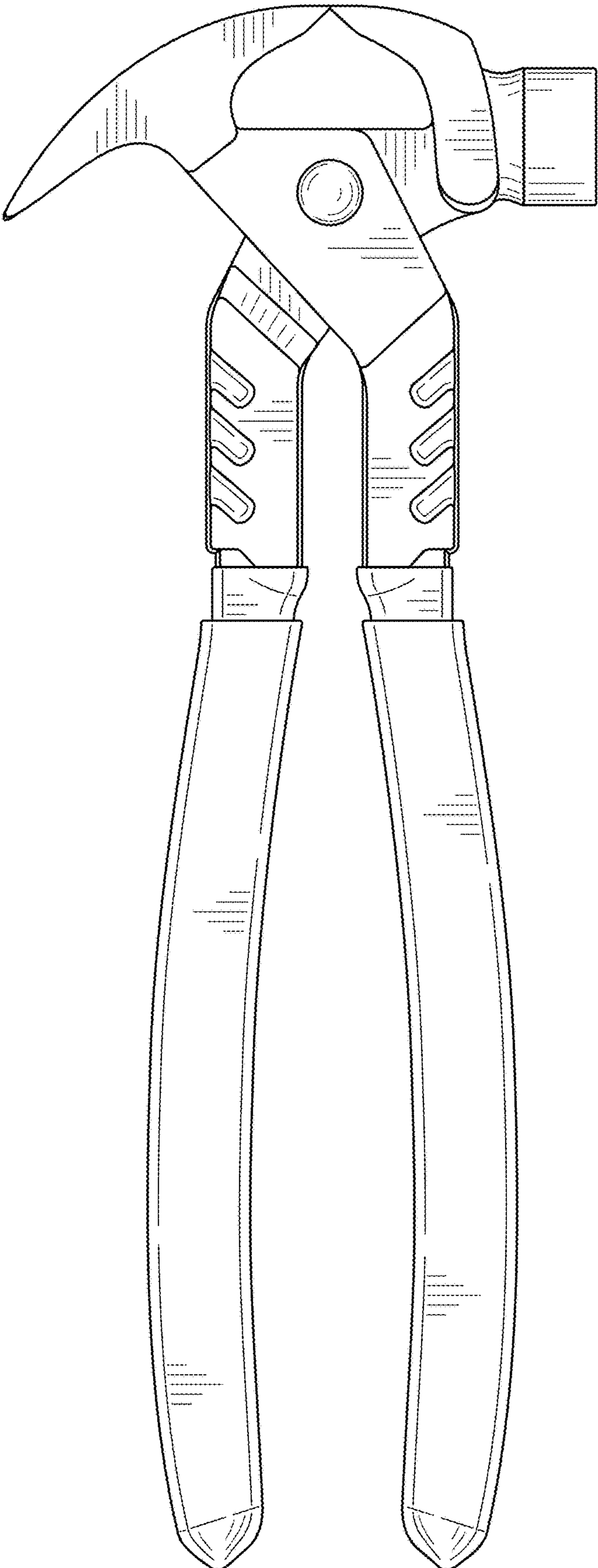


FIG. 4

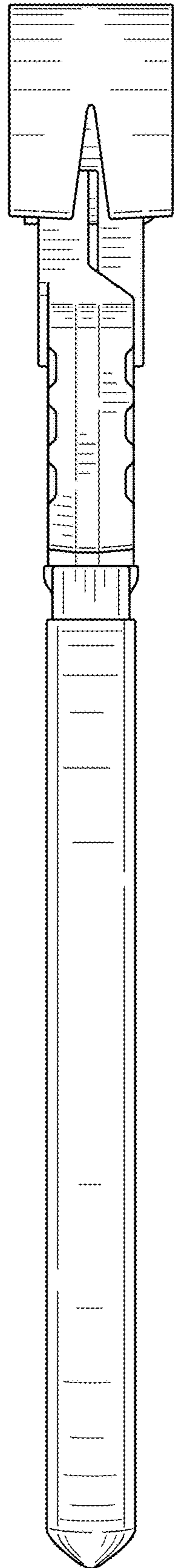


FIG. 5

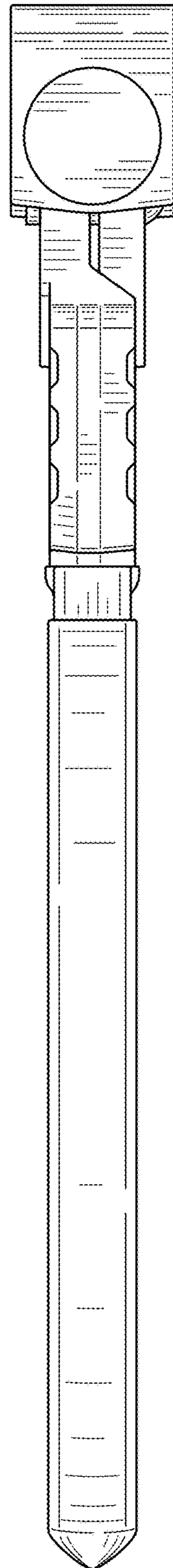


FIG. 6

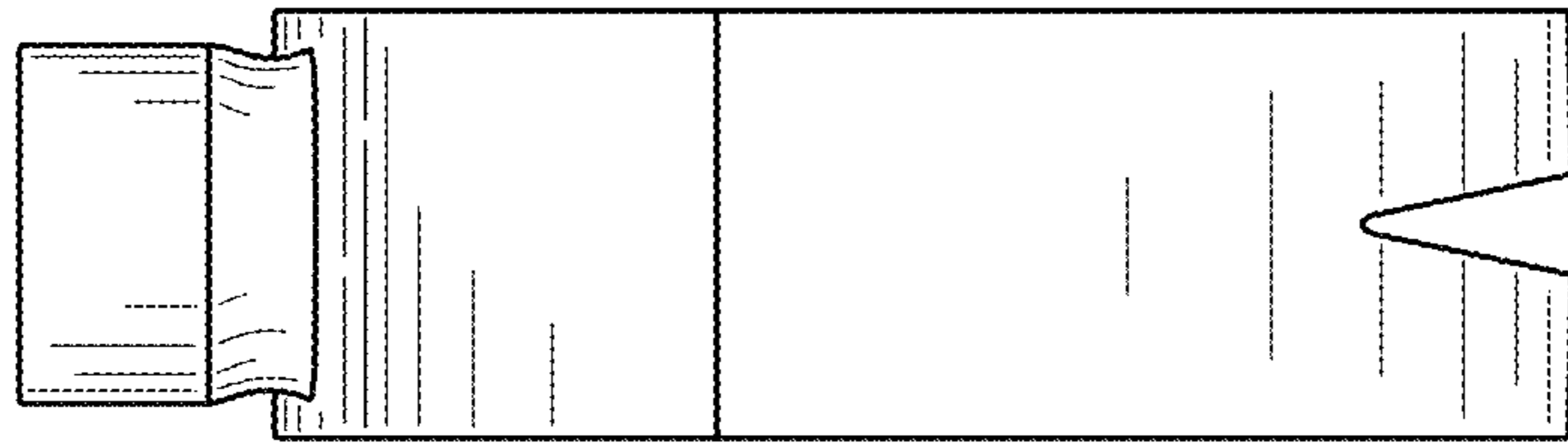


FIG. 7

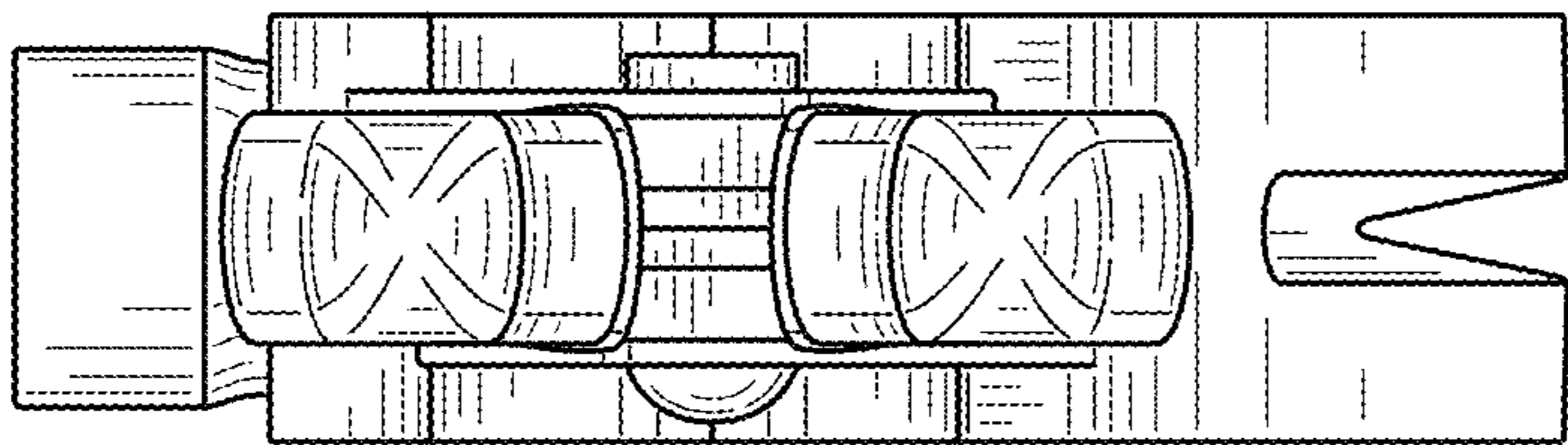


FIG. 8